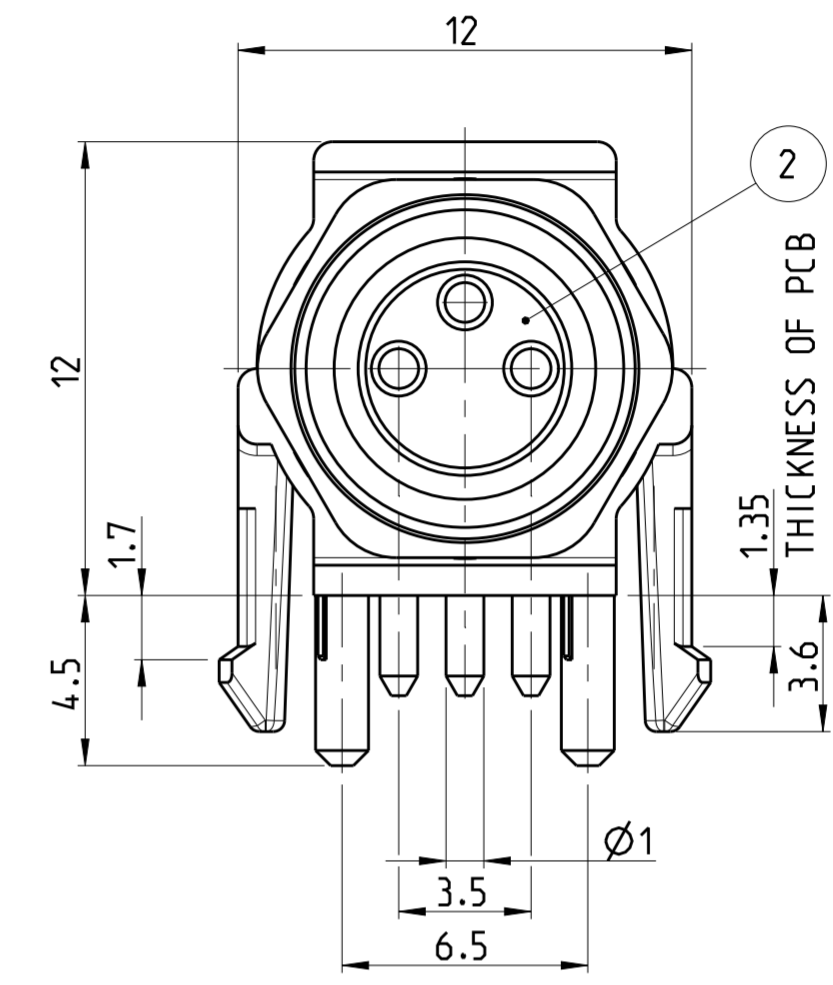
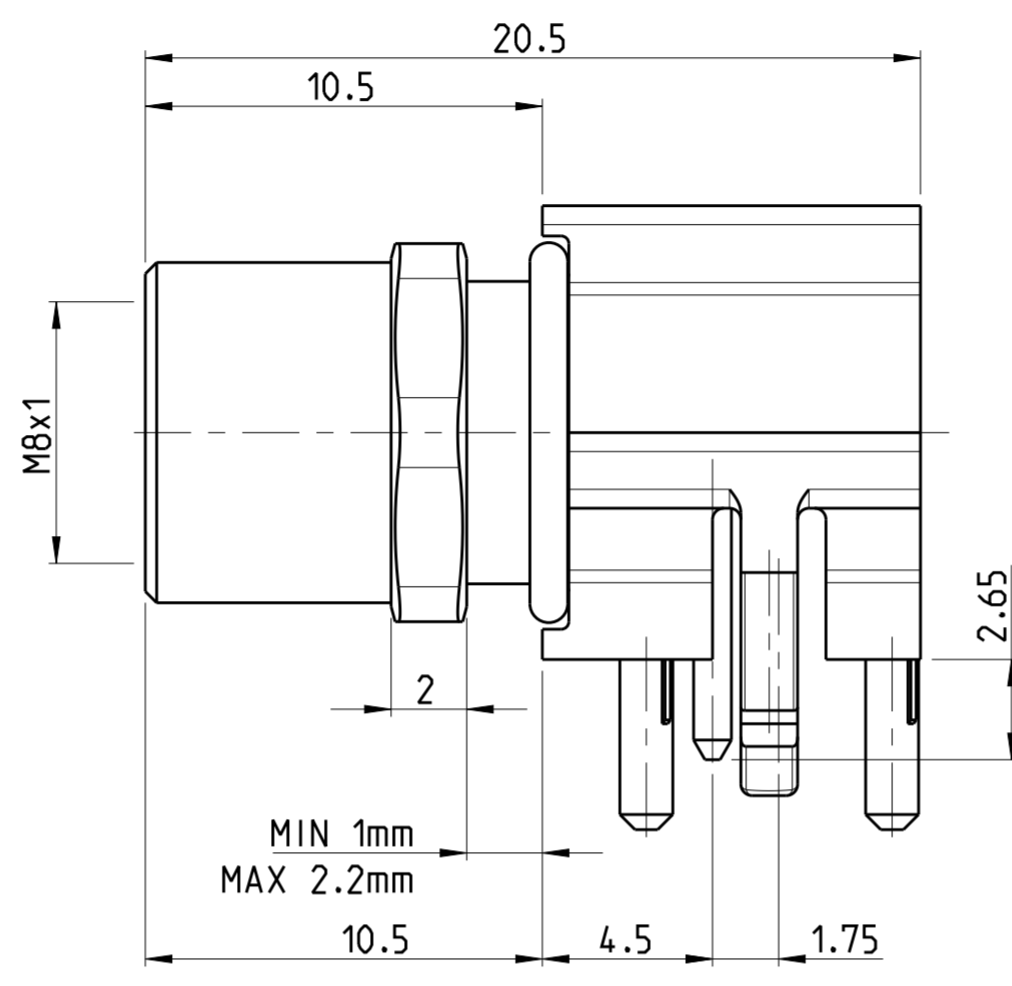


THIS DRAWING IS UNPUBLISHED. VERTRÄULICHE UNVERÖFFENTLICHTE ZEICHNUNG. RELEASED FOR PUBLICATION FREI FÜR VERÖFFENTLICHUNG. 2014. MATED WITH: PASSEND ZU: ALL RIGHTS RESERVED. ALLE RECHTE VORBEHALTEN. COPYRIGHT 2014 Tyco Electronics AMP GmbH

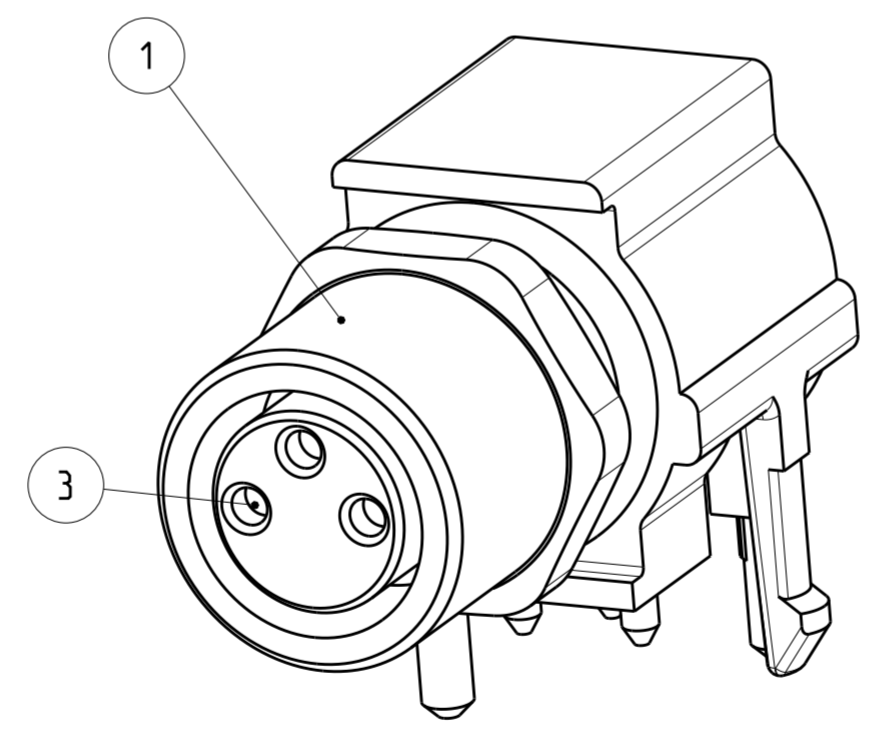
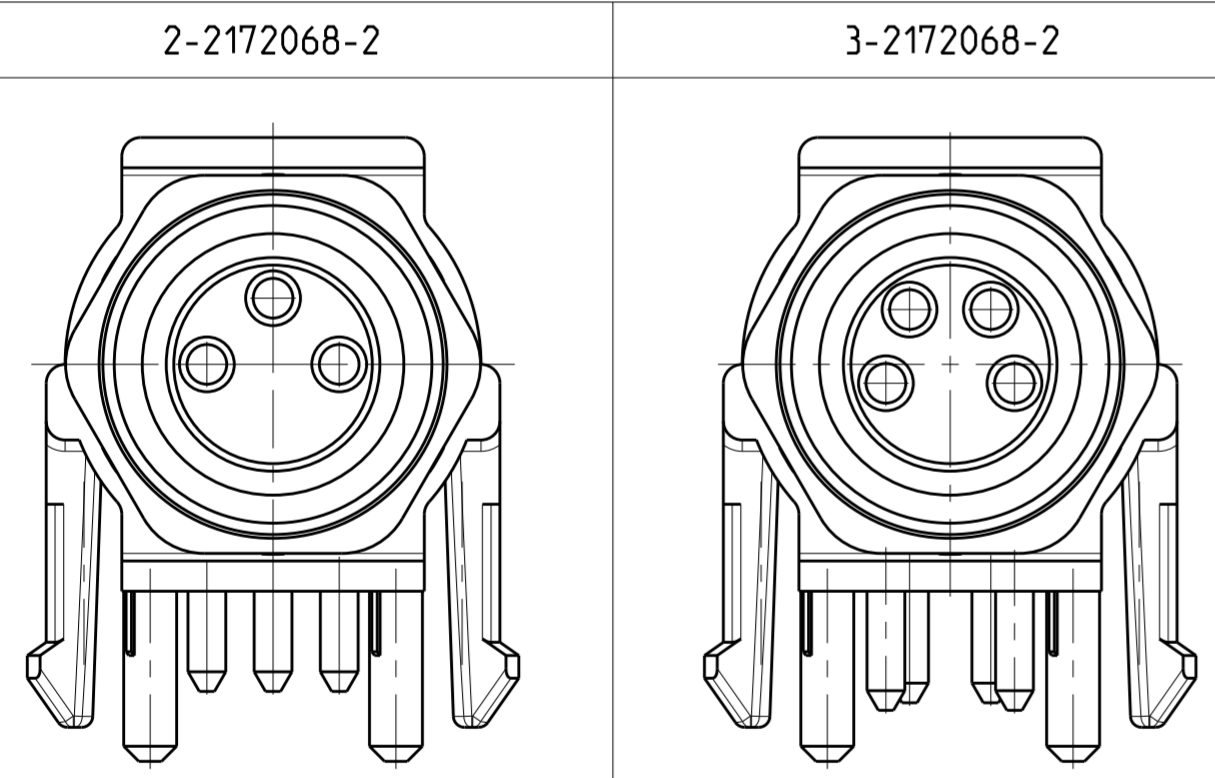
PROJEKT NR.: PRJ-11-000004377

REVISIONS		DATE	DWN	APVD
P	LTR	DESCRIPTION		
A1		TEXT CORRECTD FROM M12 TO M8 IN TITLE BLCK	120CT2015	TJ NG
A2		DIM 3.25 CORRECTED TO 3 IN PCB LAYOUT	23NOV2016	TJ NG
A3		ECR-17-003595	270CT2017	TJ NG
A4		ECR-19-017633	16NOV2019	B.P C.W

TECHNICAL DATA	2-2172068-2	3-2172068-2
RATED VOLTAGE	60V	30V
RATED IMPULSE VOLTAGE	800V	800V
POLLUTION DEGREE	3	3
OVERVOLTAGE CATEGORY	II	II
MATERIAL GROUP	II	II
RATED CURRENT	4A	4A
VOLUME RESISTIVITY	≤ 3mΩ	≤ 3mΩ
DEGREE OF PROTECTION	IP67	IP67
UPPER TEMPERATURE	+85 °C	+85 °C
LOWER TEMPERATURE	-40 °C	-40 °C

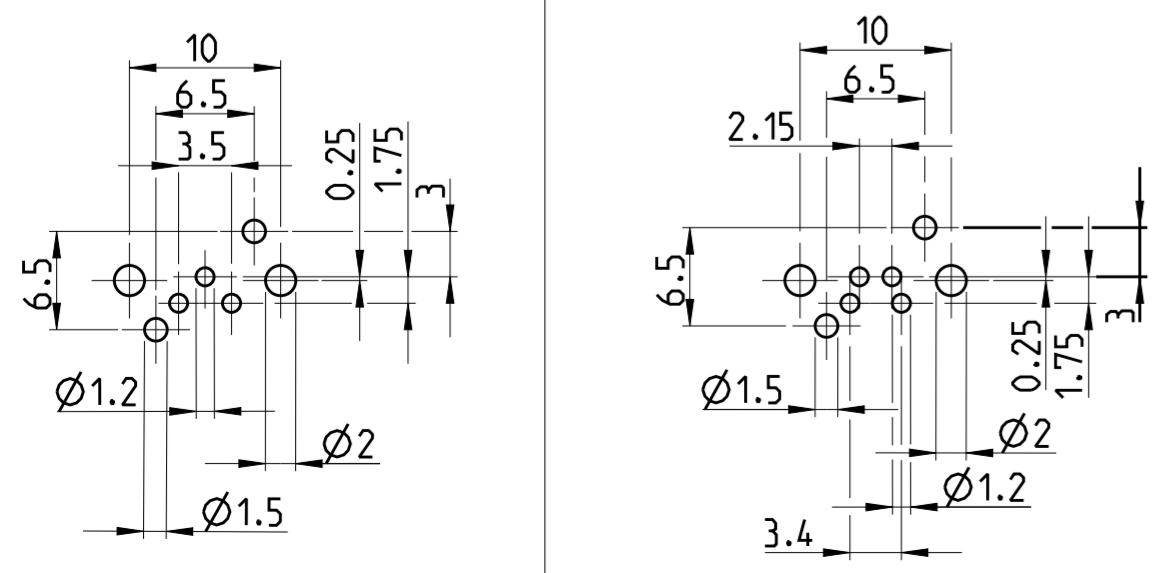


PIN ARRANGEMENT



NOTES:  
 1 MATERIAL: ITEM NO. 1: HOUSING - CuZn (BRASS NICKEL PLATED)  
 ITEM NO. 2: CONTACT BODY - PA  
 ITEM NO. 3: CONTACT - CuSn (BRONZE)  
 CONTACT FINISH - Au (GOLD)  
 2 ALL DIMENSIONS ARE FOR NOMINAL REFERENCE ONLY UNLESS OTHERWISE STATED

PCB LAYOUT



SIZE ISO 14405 (E)

DIESE ZEICHNUNG IST EIN KONTROLLIERTES DOKUMENT. BEMASSUNGEN UND TOLERANZEN GEMAESS GPS (ISO STANDARDS).		DWN YASHKUMAR 25 JUL 2014	
THIS DRAWING IS A CONTROLLED DOCUMENT. DIMENSIONING AND TOLERANCING PER GPS (ISO STANDARDS).		CHK M. BRUBAKER 25 JUL 2014	
DIMENSIONS: MASSE/WEITEN: (MM)		APVD M. BRUBAKER 25 JUL 2014	
TOLERANCES UNLESS OTHERWISE SPECIFIED: ALLGEMEINTOLERANZEN		NAME M8 RECEPTACLE, FEMALE, PCB MOUNT, ANGLED, UL APPROVED	
0 PLC ±		SIZE A2	
1 PLC ±		CAGE CODE 00779	
2 PLC ±		DRAWING NO. C-2172068	
3 PLC ±		SCALE MASSSTAB 2:1	
4 PLC ±		SHEET BLATT 1 OF 1	
ANGLES/WINKEL ±		REV A4	
FINISH/OBERFLÄCHE/FARBE		RESTRICTED TO NUR FÜR -	
MATERIAL SEE NOTES		Customer Drawing /KUNDENZEICHNUNG	
SEE NOTES		WEIGHT GEWICHT -	

⚠	4	3-2172068-2
⚠	3	2-2172068-2
MATERIAL	NUMBER OF POLES	TE-PART-NO.



M8 RECEPTACLE, FEMALE, PCB MOUNT, ANGLED, UL APPROVED			
SIZE	CAGE CODE	DRAWING NO.	RESTRICTED TO NUR FÜR -
A2	00779	C-2172068	-
Customer Drawing /KUNDENZEICHNUNG		SCALE MASSSTAB	SHEET BLATT
		2:1	1 OF 1
		REV	A4

## X-ON Electronics

Largest Supplier of Electrical and Electronic Components

*Click to view similar products for [Circular Metric Connectors](#) category:*

*Click to view products by [TE Connectivity](#) manufacturer:*

Other Similar products are found below :

[600X518037X](#) [6STD15PCR99B70A](#) [8R4000A16M020](#) [8R5000A16M005](#) [1200910002](#) [1203580030](#) [1200910008](#) [1200910011](#) [1300140094](#)  
[130203-0054](#) [1300140026](#) [1300150099](#) [RF-12S1N8A90DU](#) [1-3637-600-5205](#) [1612618](#) [21036836414](#) [8R4006A16M010](#) [8R5006A18A120](#)  
[1604232](#) [1R3006A20M005](#) [RF-12P1N8A80DU](#) [RF-12P1N8A90DU](#) [41-40011](#) [42-01015](#) [4-22279-4](#) [4-22281-1](#) [4-22284-9](#) [43-00113](#) [43-](#)  
[01088](#) [43-01203](#) [41-40013](#) [42-00008](#) [43-00343](#) [43-01032](#) [43-01162](#) [43-10000](#) [600X518050X](#) [SACC-DSI-FS-5P-PG9-L180 SC](#)  
[8R5006A16M020](#) [8R5006A16M005](#) [8R4000A16M010](#) [6-22279-3](#) [1605332](#) [N03FA03144](#) [1300140077](#) [43-01338](#) [XS2RD4265](#) [RSC 4/9](#)  
[XS2R-D426-1](#) [XS8A-0441](#)