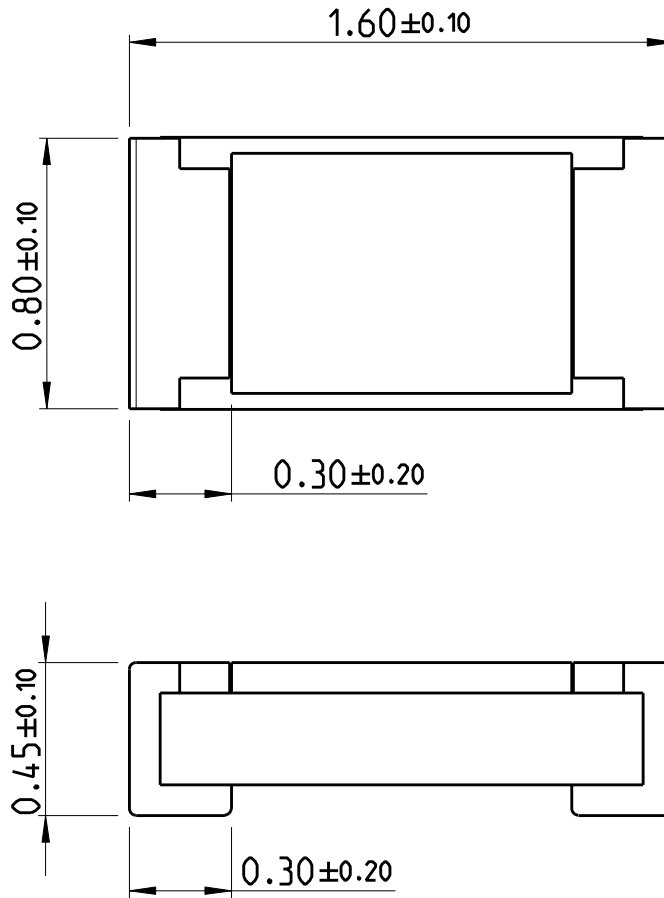
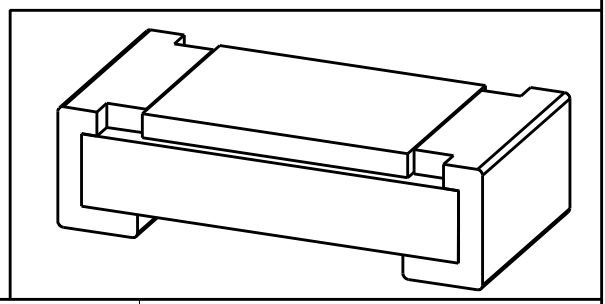


|     |      |           |     |             |           |     |      |
|-----|------|-----------|-----|-------------|-----------|-----|------|
| LOC | DIST | REVISIONS |     |             |           |     |      |
| AI  | -    | P         | LTR | DESCRIPTION | DATE      | DWN | APVD |
|     |      | BA        |     | NEW DRAWING | 02FEB2012 | DMS | ST.P |



FOR FURTHER INFORMATION SEE DATA SHEET FOR CURRENT SENSING CHIP RESISTOR - RL73 SERIES

RoHS Compliant



2011  
RELEASED FOR PUBLICATION  
ALL RIGHTS RESERVED.  
THIS DRAWING IS UNPUBLISHED.  
© COPYRIGHT 2011

|  |                          |                  |   |           |            |               |
|--|--------------------------|------------------|---|-----------|------------|---------------|
| DIMENSIONS:<br><b>mm</b>               | DWN<br><b>DARSHAN MS</b> | <b>02FEB2012</b> | MATERIAL  | -         | FINISH     | -             |
|  | CHK<br><b>ALLAN P</b>    | <b>02FEB2012</b> | <b>TE Connectivity</b>  |           |            |               |
| TOLERANCES UNLESS OTHERWISE SPECIFIED: | APVD<br><b>STEPHEN.P</b> | <b>02FEB2012</b> |   |           |            |               |
| 0 PLC ±                                | PRODUCT SPEC             | -                | NAME<br><b>SMD LOW OHMIC CURRENT SENSE RESISTOR RLP73 (1J) SERIES</b> |           |            |               |
| 1 PLC ±                                | APPLICATION SPEC         | -                | SIZE  | CAGE CODE | DRAWING NO | RESTRICTED TO |
| 2 PLC ±                                |                          |                  | A 4   | 00779     | C-2176051  | -             |
| 3 PLC ±                                |                          |                  | WEIGHT <b>0.00199 Gram</b>  |           |            |               |
| 4 PLC ±                                |                          |                  | CUSTOMER DRAWING  |           |            |               |
| ANGLES ±5°                             |                          |                  | SCALE   | SHEET     | OF         | REV           |
|  |                          |                  | <b>45:1</b>   | <b>1</b>  | <b>1</b>   | <b>BA</b>     |

## X-ON Electronics

Largest Supplier of Electrical and Electronic Components

*Click to view similar products for [Current Sense Resistors - SMD category](#):*

*Click to view products by [TE Connectivity manufacturer](#):*

Other Similar products are found below :

[CRL0603-FW-R700ELF](#) [65709-330JE](#) [PF2512FKF7W0R007L](#) [PR2512FKF7W0R003L](#) [PR2512FKF7W0R005L](#) [PF2512FKF7W0R006L](#)  
[PF2512FKF7W0R033L](#) [CD2015FC-0.10-1%](#) [PR2512FKF7W0R004L](#) [RC1005F124CS](#) [RL73K3AR56JTDF](#) [RL7520WT-R001-F](#)  
[RL7520WT-R009-G](#) [RL7520WT-R020-F](#) [RLP73N1ER43JTD](#) [LRC-LR2512LF-01-R820J](#) [WR06X104JGLJ](#) [TL2BR01F](#) [65709-330](#) [SP1R12J](#)  
[RL7520WT-R039-G](#) [PF1206FRF7W0R02L](#) [RL7520WT-R002-F](#) [RL7520WT-R047-F](#) [KRL1632E-C-R200-F-T5](#) [KRL1632E-C-R200-F-T1](#)  
[Y14880R02000B9R](#) [RLP73M1ER051FTDF](#) [RLP73M2AR051FTDF](#) [RLP73M2AR075FTDF](#) [RLP73K2A1R0FTDF](#) [RLP73M1JR051FTDF](#)  
[RLP73N1JR47FTDF](#) [SR731ERTTP5R10F](#) [SR731ERTTP100J](#) [SR731ERTTP6R80F](#) [SR731ERTTP4R70F](#) [SR731ERTTP2R20F](#)  
[SR731ERTTP3R90F](#) [SR731ERTTP1R00F](#) [SR731ERTTP10R0F](#) [SR731ERTTP2R00F](#) [SR731ERTTP8R20F](#) [SR731ERTTP3R9J](#)  
[SR731ERTTP8R2J](#) [SR731ERTTP2R0J](#) [SR731ERTTP4R7J](#) [SR731ERTTP9R1J](#) [SR731ERTTP1R0J](#) [SR731ERTTP2R2J](#)