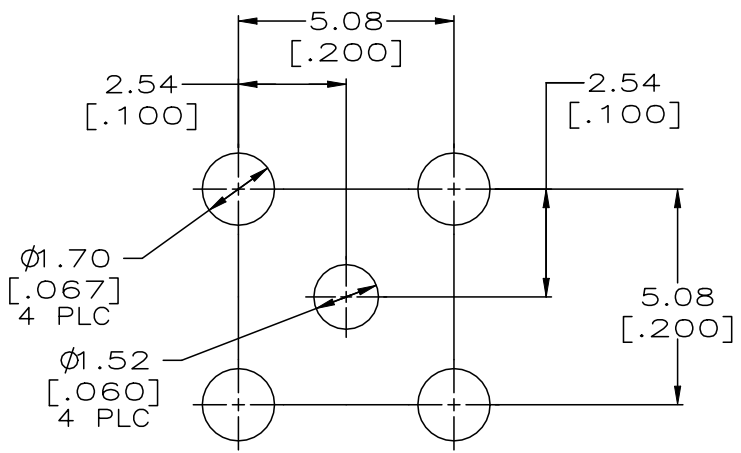
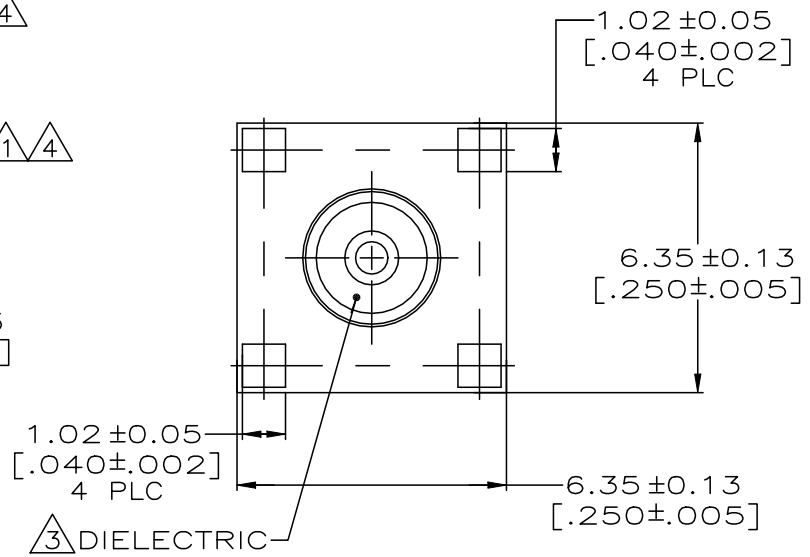
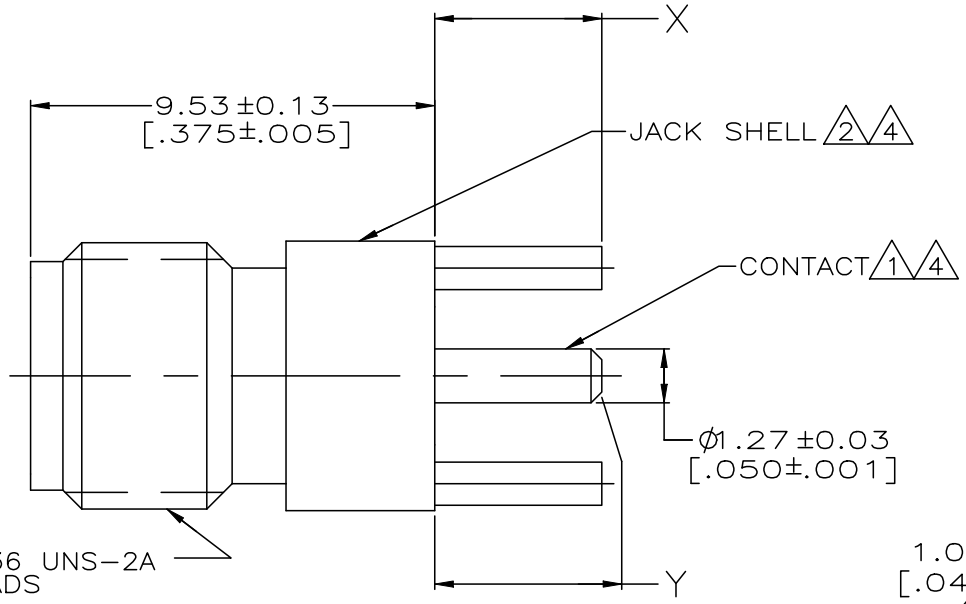


REVISIONS					
P	LTR	DESCRIPTION	DATE	DWN	APVD
G		REVISED PER ECR-20-015620	06NOV2020	ED	RS

- ① BERYLLIUM COPPER PER ASTM-B-197.
- ② BRASS PER ASTM-B-16.
- ③ PTFE, PER ASTM-D-1710.
- ④ GOLD PLATE PER MIL-G-45204.
- ⑤ PACKAGED ON TAPE & REEL PER EIA-STD481 WITH SOLDER LEGS DOWN.



RECOMMENDED PCB CONFIGURATION

OBSOLETE	2.67 <sup>+0.25</sup> / <sub>-0.15</sub> [.105 <sup>+0.10</sup> / <sub>-.006</sub> ]	2.67 ± 0.13 [.105 ± .005]	221789-4
OBSOLETE	2.67 <sup>+0.25</sup> / <sub>-0.15</sub> [.105 <sup>+0.10</sup> / <sub>-.006</sub> ]	2.67 ± 0.13 [.105 ± .005]	221789-3
	3.94 [.155]	3.94 ± 0.25 [.155 ± .010]	221789-1
	Y	X	PART NUMBER

THIS DRAWING IS A CONTROLLED DOCUMENT.		DWN B. MOYER 25NOV97	<b>TE</b> TE Connectivity	
DIMENSIONS: mm [INCHES]		CHK J. CABARLO 25NOV97		
TOLERANCES UNLESS OTHERWISE SPECIFIED:		APVD J. CABARLO 25NOV97	NAME JACK, VERTICAL, PCB, SMA SERIES	
0 PLC ± - 1 PLC ± - 2 PLC ± 0.08 [.003] 3 PLC ± - 4 PLC ± - ANGLES ± -		PRODUCT SPEC -	APPLICATION SPEC -	
MATERIAL ① ② ③	FINISH ④	WEIGHT 0.000000	SIZE A3	CAGE CODE 00779
CUSTOMER DRAWING			DRAWING NO C=221789	RESTRICTED TO -
SCALE 8:1			SHEET 1 OF 1	REV G

## X-ON Electronics

Largest Supplier of Electrical and Electronic Components

*Click to view similar products for [RF Connectors / Coaxial Connectors](#) category:*

*Click to view products by [TE Connectivity](#) manufacturer:*

Other Similar products are found below :

[8915-1511-000](#) [89674-0827](#) [6001-7071-019](#) [6002-7051-003](#) [6002-7551-202](#) [6059674-1](#) [619550-1](#) [630059-000](#) [M39030/3-01N](#) [6500-7071-046](#) [6769](#) [CX050L2AQ](#) [7002-1541-010](#) [7002-1542-011](#) [7004-1512-000](#) [7009-1511-004](#) [7010-1511-000](#) [7029-1511-060](#) [7101-1541-010](#) [7101-1571-002](#) [7145-1521-002](#) [7203-1571-003](#) [7209-1511-011](#) [7210-1511-015](#) [7210-1511-019](#) [73137-5015](#) [73216-2241](#) [73404-2300](#) [7405-1521-005](#) [7405-1521-802](#) [8527](#) [8547](#) [FS11V](#) [877931](#) [8808-1511-001](#) [9049-9513-000](#) [9074-9513-000](#) [9101-9573-002](#) [910A205F](#) [9130-9573-002](#) [PL11SC-026](#) [PL375-33](#) [PL40-5](#) [PL74C-221](#) [PL75MC-217](#) [PL803-7](#) [1200690078](#) [1-201144-1](#) [R107003010W](#) [R110A172100](#)