

THIS DRAWING IS UNPUBLISHED. RELEASED FOR PUBLICATION
 © COPYRIGHT copyright.dBTe ALL RIGHTS RESERVED.

REVISIONS				
P	LTR	DESCRIPTION	DATE	APVD
A		RELEASED	08JAN2016	SC JK
A1		REVISED (ECR-17-003818)	16MAR2017	SC JK

PERFORMANCE DATA

PHSICAL DATA

Contact Arrangement : Main contacts
 Dimensions
 Weight (Nominal)

SPST-NO-DM (1 Form X)
 See Drawing
 0.9 lbs (410g)

Coil Information / Operate Voltage:
 Coil Resistance @ 20 C
 Operate Voltage @ 20 C
 Release Voltage @ 20 C
 Minimum Hold Current at Temperature
 (Must operate @ 12V for 100ms before
 reducing to minimum holding current)

3.14 ohms +10%/-5%
 6.5 Vdc (Max)
 0.5 Vdc to 1.5 Vdc (Range)
 650mA

Operate and Release Time
 Operate Time Max
 Operate Bounce Max
 Release Time Max

20ms
 7ms
 12ms

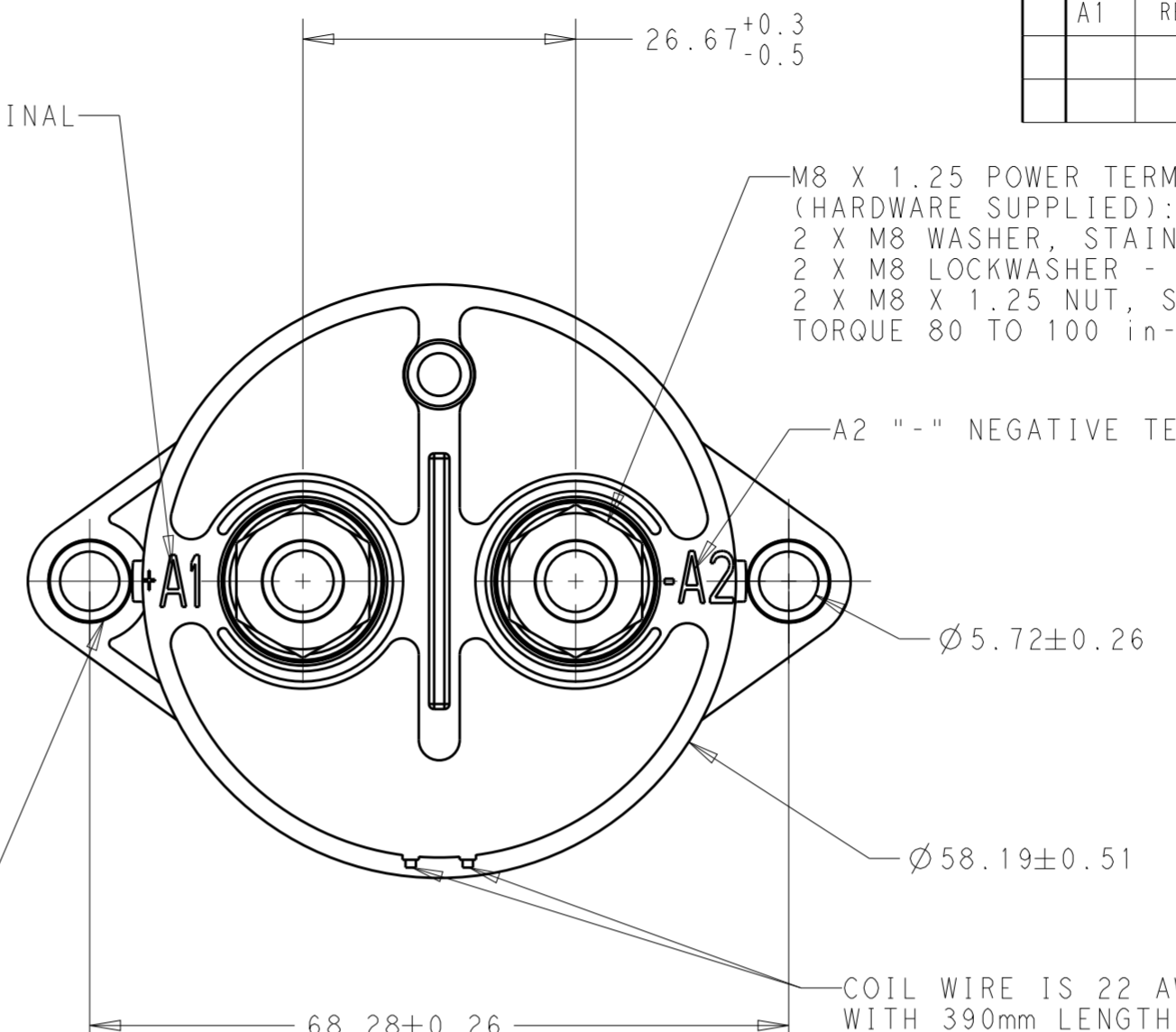
Operate and Release Time
 Shock 11ms 1/2 sine (operating)
 Sine Vibration, 20G peak
 Operating Temperature Range

50G peak
 80 - 2,000 Hz
 -40 °C to +85 °C

A1 "+" POSITIVE TERMINAL

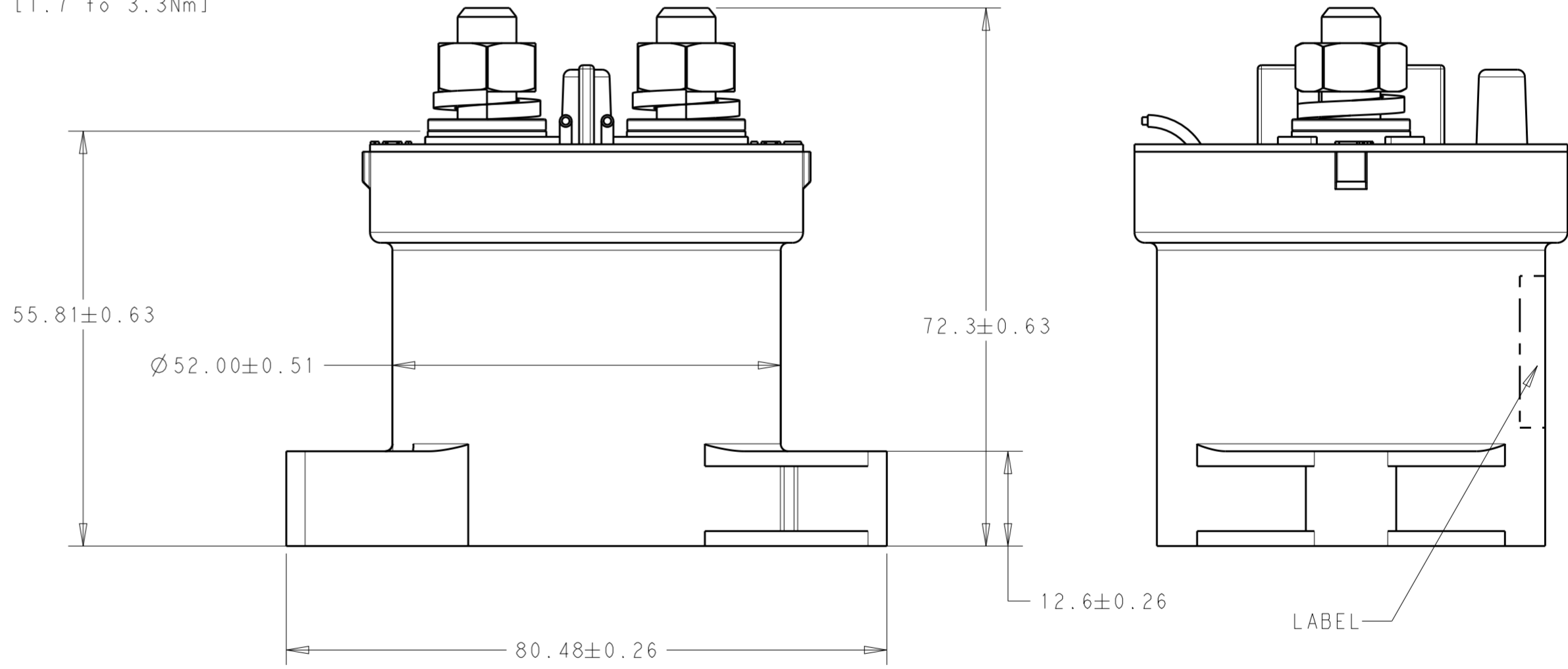
M8 X 1.25 POWER TERMINALS
 (HARDWARE SUPPLIED):
 2 X M8 WASHER, STAINLESS
 2 X M8 LOCKWASHER - SPLIT RING, STAINLESS
 2 X M8 X 1.25 NUT, STAINLESS
 TORQUE 80 TO 100 in-lb [8.8 TO 11 Nm]

A2 "-" NEGATIVE TERMINAL



MOUNTING HARDWARE (Not Supplied):
 2 X M5 BOLT
 2 X M5 LOCKWASHER
 2 X M5 NARROW WASHER
 TORQUE 15 TO 30 in-lb [1.7 to 3.3Nm]

COIL WIRE IS 22 AWG
 WITH 390mm LENGTH



LABEL

2219561-1
 PART NUMBER

1. TO AVOID OVERHEATING, THE COIL ABOVE SHOULD NOT BE LEFT ON AT FULL POWER (12V) FOR A LONG PERIOD OF TIME.
2. THE MINIMUM HOLD CURRENT OF 650mA (MENTIONED ABOVE) ONLY PRODUCES A T-RISE OF 23°C (MAX)
3. FOR ANY OTHER INFORMATION, PLEASE REFER TO THE EVC500 GENERAL CUSTOMER DATASHEET

THIS DRAWING IS A CONTROLLED DOCUMENT.		DWN SC HWANG 08JAN2016	TE Connectivity															
		CHK SH JANG 08JAN2016																
		APVD JK KIM 08JAN2016	NAME RELAY EVC500															
DIMENSIONS: mm		TOLERANCES UNLESS OTHERWISE SPECIFIED:	PRODUCT SPEC -															
<table border="1"> <tr><td>0 PLC</td><td>±</td></tr> <tr><td>1 PLC</td><td>±0.3</td></tr> <tr><td>2 PLC</td><td>±0.13</td></tr> <tr><td>3 PLC</td><td>±</td></tr> <tr><td>4 PLC</td><td>±</td></tr> <tr><td>ANGLES</td><td>±</td></tr> <tr><td>FINISH</td><td>-</td></tr> </table>		0 PLC	±	1 PLC	±0.3	2 PLC	±0.13	3 PLC	±	4 PLC	±	ANGLES	±	FINISH	-	APPLICATION SPEC -	SIZE A20779 C-2219561	
0 PLC	±																	
1 PLC	±0.3																	
2 PLC	±0.13																	
3 PLC	±																	
4 PLC	±																	
ANGLES	±																	
FINISH	-																	
MATERIAL -		WEIGHT -	RESTRICTED TO -															
		CUSTOMER DRAWING	SCALE 1:1	SHEET 1 OF 1 REV A1														

X-ON Electronics

Largest Supplier of Electrical and Electronic Components

Click to view similar products for [Automotive Relays](#) category:

Click to view products by [TE Connectivity](#) manufacturer:

Other Similar products are found below :

[7-1414968-8](#) [7-1617345-6](#) [9-1617516-5](#) [G5CE1ASIDC12](#) [1393204-2](#) [1393302-3](#) [13Z99A115-0074](#) [1432872-1](#) [AR4-15F11-S01](#) [AR4-15H11](#)
[1617057-2](#) [1617058-6](#) [1617518-5](#) [2-1617057-2](#) [2-1617057-6](#) [2-1617058-3](#) [CB1F-M-12V-H15](#) [898H-1AH-D-001-12VDC](#) [AR4-11F11](#)
[AR4-15F11](#) [AR4-41F11](#) [24198-1](#) [4-1617057-0](#) [41FZ-200ACG-BSL](#) [5-1616920-2](#) [5-1617052-9](#) [5407-0011-HS](#) [CB1AF-M-12V-H59](#) [5-](#)
[1617346-8](#) [103-1AH-C-12VDC](#) [V23134A1052X299](#) [6-1393302-1](#) [897H-1AH-D-R1-U01-12VDC](#) [FTR-P3CP024W1-06](#) [1-1617057-8](#) [3-](#)
[1393305-1](#) [5436-0001-HS](#) [V23086-R1851-A502](#) [V23136-A0004-X075](#) [898H-1AH-D1SW-R1-12VDC](#) [RH4C1P2607](#) [RE031005](#)
[V23134M0052G242](#) [1393204-1](#) [23234B0001X001-EV-144](#) [AZ979-1A-24D](#) [2-1904020-1](#) [V23134B0052C642](#) [V23134B0053C642](#) [V23234-](#)
[A1001-X036](#)