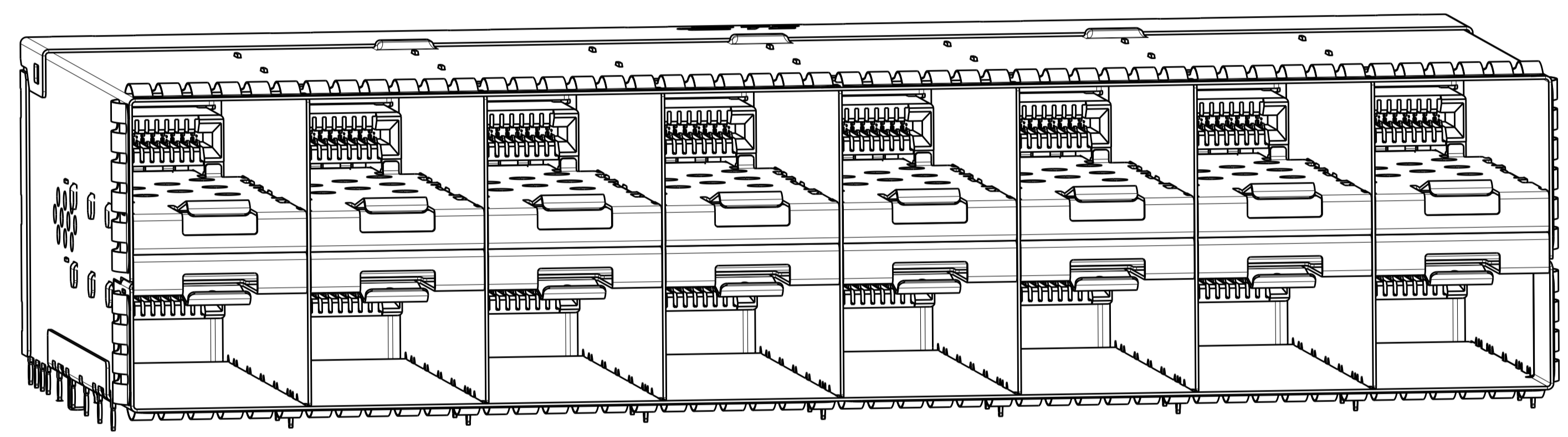
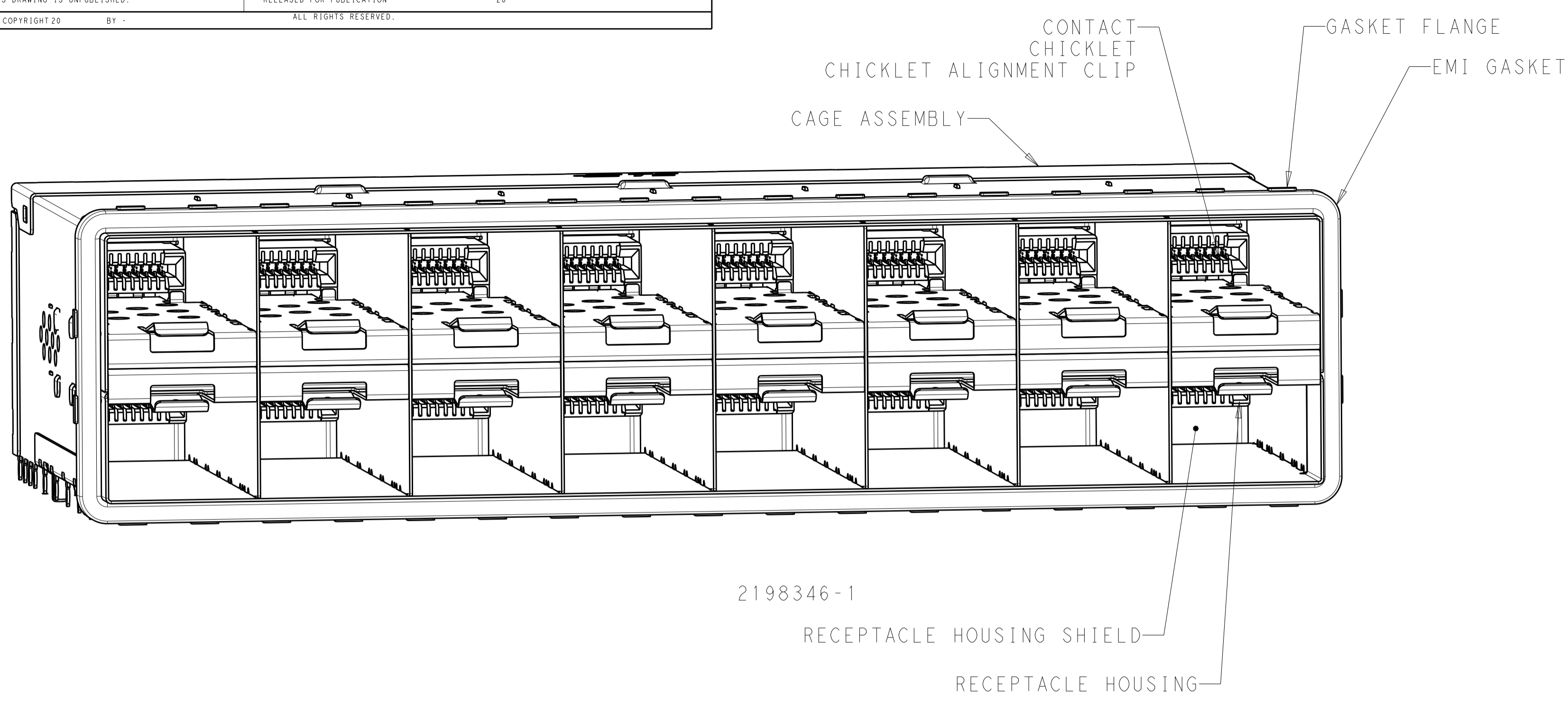
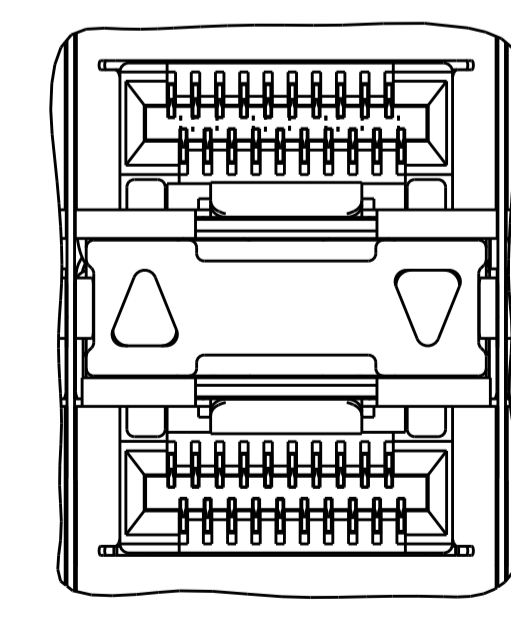
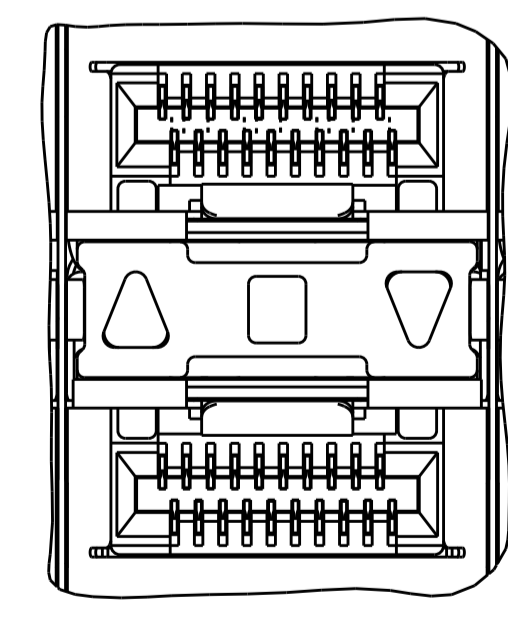
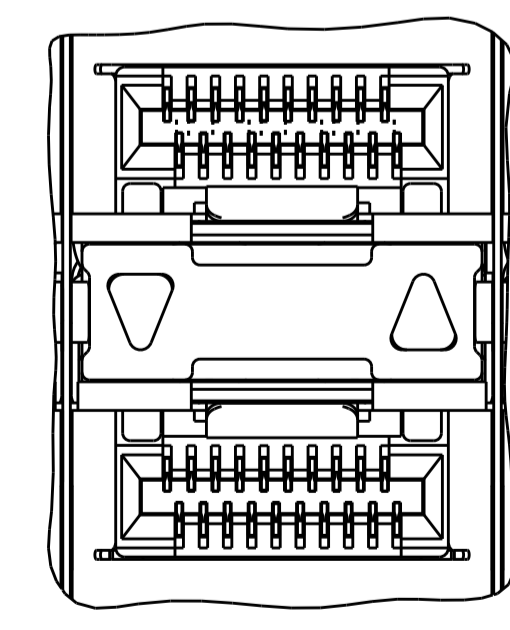
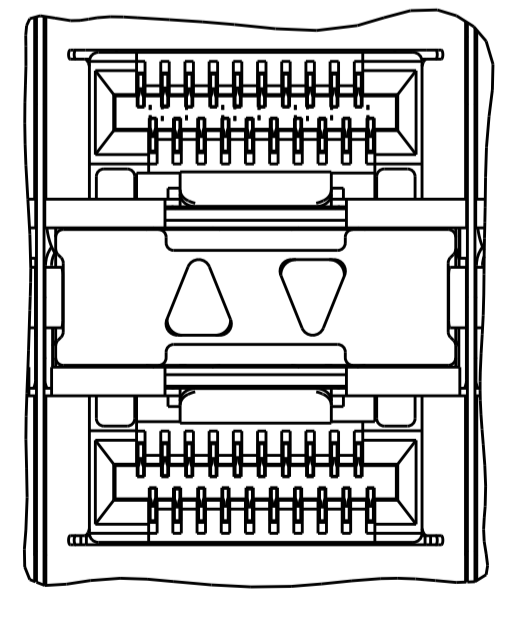
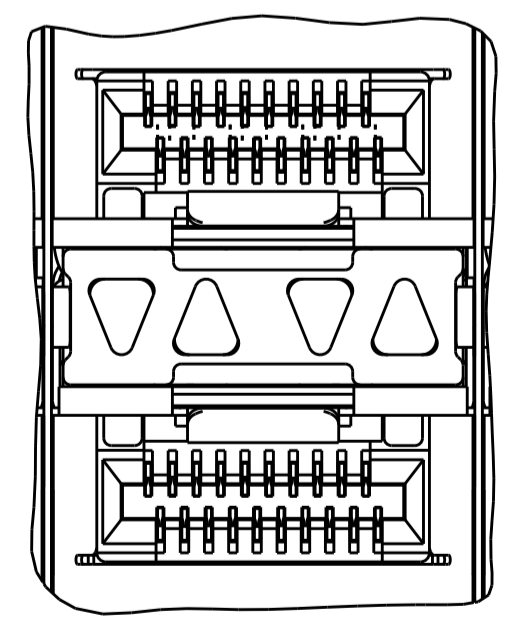


LOC		DIST		REVISIONS			
GP	00	P	LTN	DESCRIPTION	DATE	OWN	APVD
		C		REVISED PER ECO-20-014521	13OCT2020	JY	SH



- MATERIALS:**  
 CAGE ASSEMBLY - NICKEL-SILVER ALLOY PER ASTM B 122  
 CONNECTOR HOUSING - LCP, BLACK, UL 94V-0 RATED  
 CONNECTOR HOUSING SHIELD - COPPER ALLOY  
 CHICKLET - LCP, BLACK, UL 94V-0 RATED  
 CHICKLET ALIGNMENT CLIP - PBT  
 CONTACT - COPPER ALLOY  
 EMI GASKET - ELASTOMERIC  
 GASKET FLANGE - STAINLESS STEEL  
 EMI SPRINGS - PHOSPHOR BRONZE PER ASTM B 103,  
 0.8µm MIN TIN PER ASTM B 545  
 LIGHT PIPE - POLYCARBONATE  
 LIGHT PIPE HOUSING - ZINC ALLOY
  - CONTACT FINISH:**  
 0.76µm MIN GOLD PER ASTM B 844 AT MATING INTERFACE,  
 1.25µm MIN MATTE TIN PER ASTM B 545 AT PCB INTERFACE  
 ALLOVER 2.54µm MIN NICKEL PER QQ-N-290.
  - PCB MINIMUM THICKNESS = 1.5mm
- △ FOR HOLE SIZE AND PLATINGS,  
 SEE APPLICATION SPECIFICATION 114-13319
- △ LIGHT PIPE PAD LAYOUT IS FOR 0805 LOW PROFILE  
 LED PACKAGE WITH A HEIGHT OF 0.8mm
- △ DIMENSIONS APPLY FOR EMI SPRINGS ONLY
- △ THE ENTIRE AREA OF THE CONNECTOR FOOTPRINT,  
 INDICATED BY THE DASHED LINE, TO BE CONSIDERED  
 THE KEEPOUT AREA FOR COMPONENTS AND SIGNAL TRACES,  
 TOP SIDE ONLY, TOP SIDE TRACES ALLOWED WITHIN  
 CONNECTOR HOLE PATTERN
- △ THE DIMENSIONS APPLY TO 4-2198346-0 ONLY.



INNER/OUTER LIGHT PIPE  
 2198346-2, 2198346-6  
 SCALE 4:1

INNER LIGHT PIPE  
 2198346-3, 2198346-7  
 4-2198346-0  
 SCALE 4:1

OUTER LIGHT PIPES  
 2198346-4, 2198346-8  
 SCALE 4:1

CENTER/REVERSED OUTER LIGHT PIPES  
 1-2198346-7, 1-2198346-9  
 SCALE 4:1

REVERSED OUTER LIGHT PIPES  
 1-2198346-8, 2-2198346-0  
 SCALE 4:1

116.5	THERMAL HOLE TOP SURFACE	INNER	4-2198346-0
116.5	EMI SPRINGS, TAPE AIRFLOW ENHANCE TYPE	NONE	3-2198346-3
119.25	EMI GASKET LOW PROFILE FLANGE	INNER	3-2198346-2
116.5	EMI SPRINGS AIRFLOW ENHANCE TYPE	NONE	3-2198346-1
119.25	EMI GASKET AIRFLOW ENHANCE TYPE	NONE	3-2198346-0
116.5	EMI SPRINGS	REVERSED OUTER	2-2198346-0
		CENTER/REVERSED OUTER	1-2198346-9
119.25	EMI GASKET	REVERSED OUTER	1-2198346-8
		CENTER/REVERSED OUTER	1-2198346-7
116.5	EMI SPRING WITH NICKEL PLATING ONLY	OUTER	1-2198346-2
		INNER	1-2198346-1
		INNER/OUTER	1-2198346-0
116.5	EMI SPRINGS	NONE	2198346-9
		OUTER	2198346-8
		INNER	2198346-7
119.25	EMI GASKET	INNER/OUTER	2198346-6
		NONE	2198346-5
		OUTER	2198346-4
(E)	CAGE TYPE	INNER	2198346-3
		INNER/OUTER	2198346-2
		NONE	2198346-1
		LIGHT PIPE CONFIGURATION	PART NUMBER

THIS DRAWING IS A CONTROLLED DOCUMENT. OWN: M.E. CONNER 09DEC2011  
 CHK: M.D. MORRISON 13DEC2011  
 APVD: M.D. MORRISON 13DEC2011

DIMENSIONS: mm  
 TOLERANCES UNLESS OTHERWISE SPECIFIED:  
 0 PLC ±  
 1 PLC ±0.20  
 2 PLC ±0.15  
 3 PLC ±0.10  
 4 PLC ±  
 ANGLES ±

MATERIAL: SEE NOTES  
 FINISH: SEE NOTES

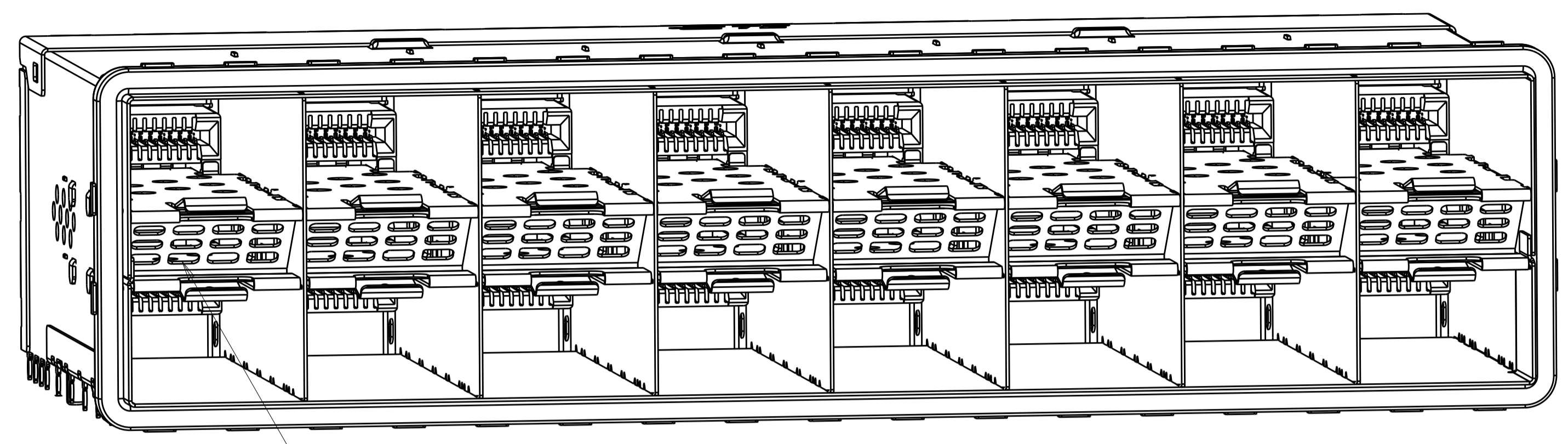
PRODUCT SPEC: 108-2481  
 APPLICATION SPEC: 114-13319  
 WEIGHT: -

Customer Drawing

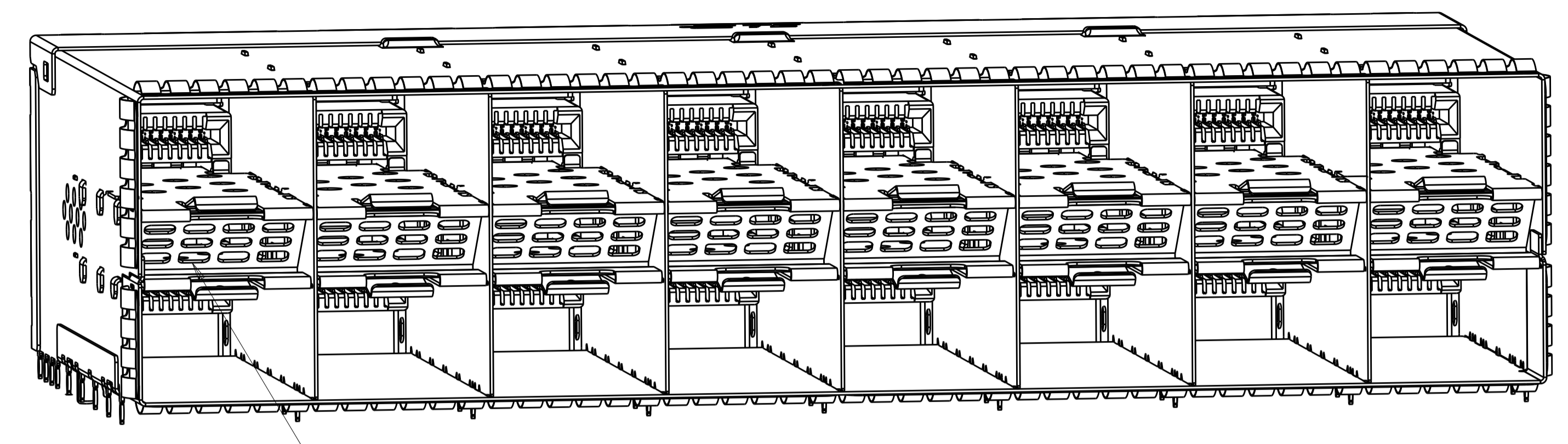
**STE** TE Connectivity  
 NAME: RECEPTACLE ASSEMBLY, 2X8, STACKED, zSFP+  
 SIZE: A1  
 CAGE CODE: 00779  
 DRAWING NO: 2198346  
 SCALE: 3:1  
 SHEET 1 OF 7  
 REV C

LOC		DIST		REVISIONS			
P.	LTN	DESCRIPTION	DATE	OWN	APVD		
-	-	SEE SHEET 1	-	-	-	-	-

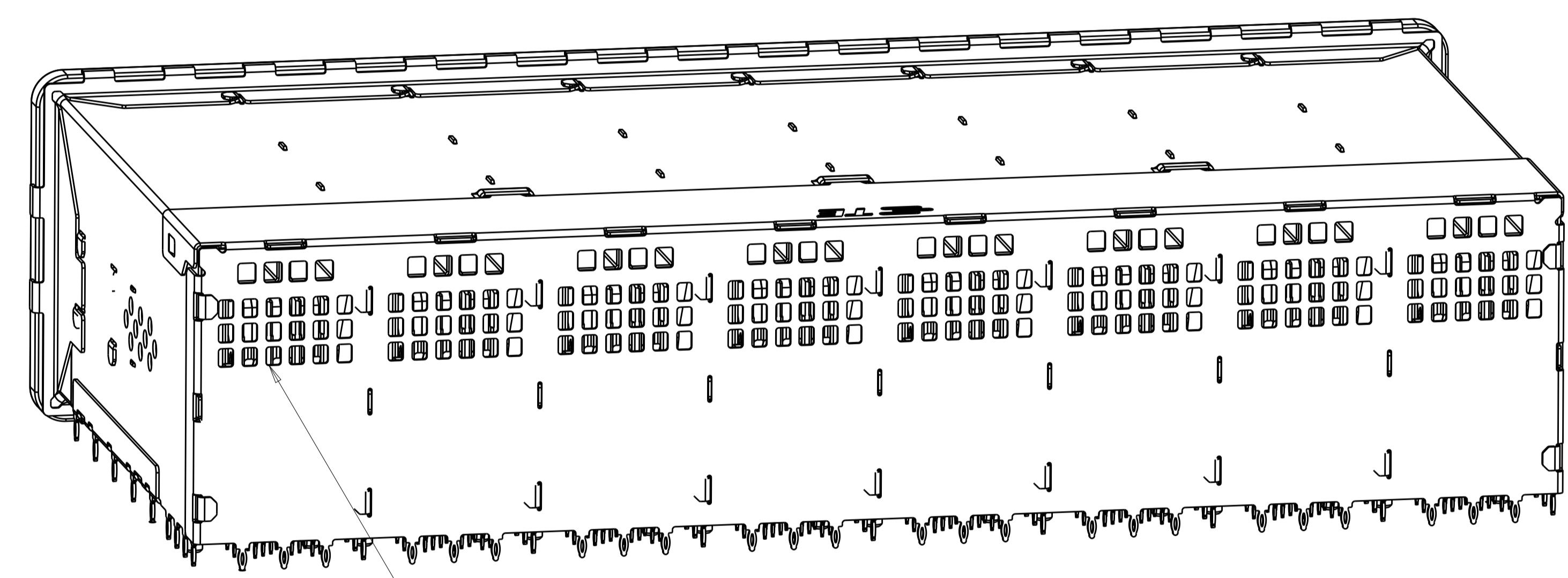
# AIRFLOW ENHANCE TYPE



AIR VENTS

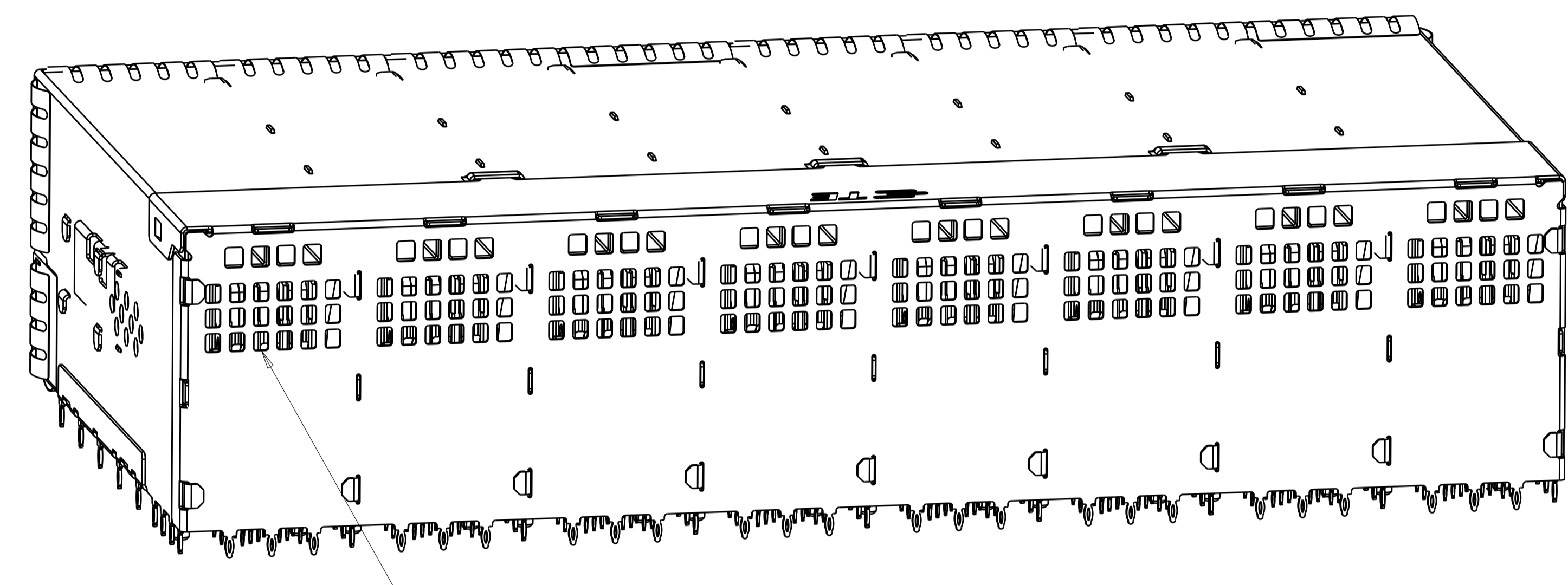


AIR VENTS



AIR VENTS

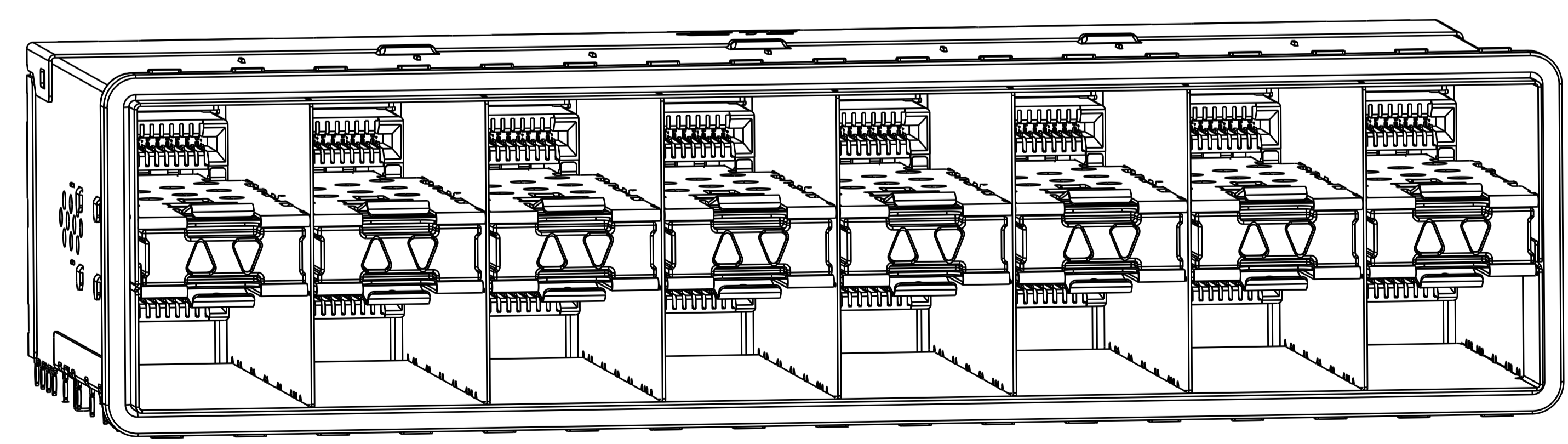
3-2198346-0  
EMI GASKET TYPE



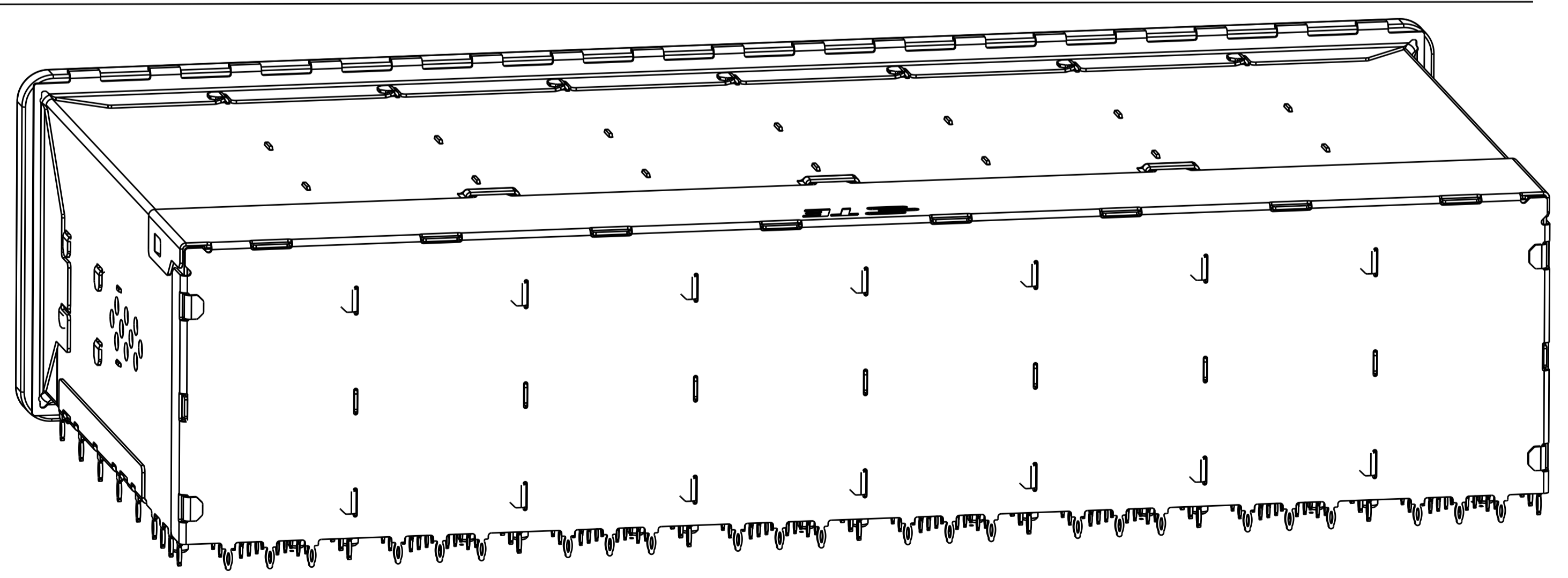
AIR VENTS

3-2198346-1  
EMI SPRING TYPE

## EMI GASKET TYPE WITH LOW PROFILE FLANGE



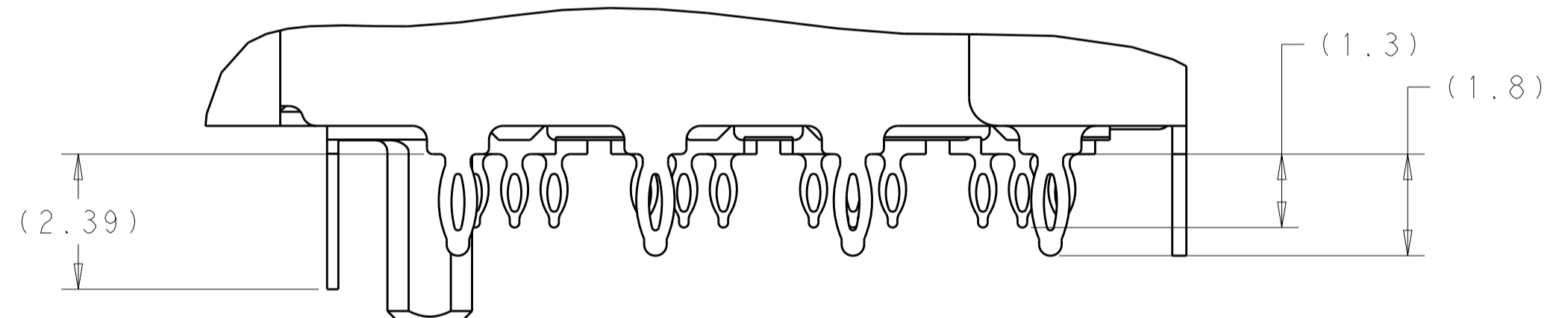
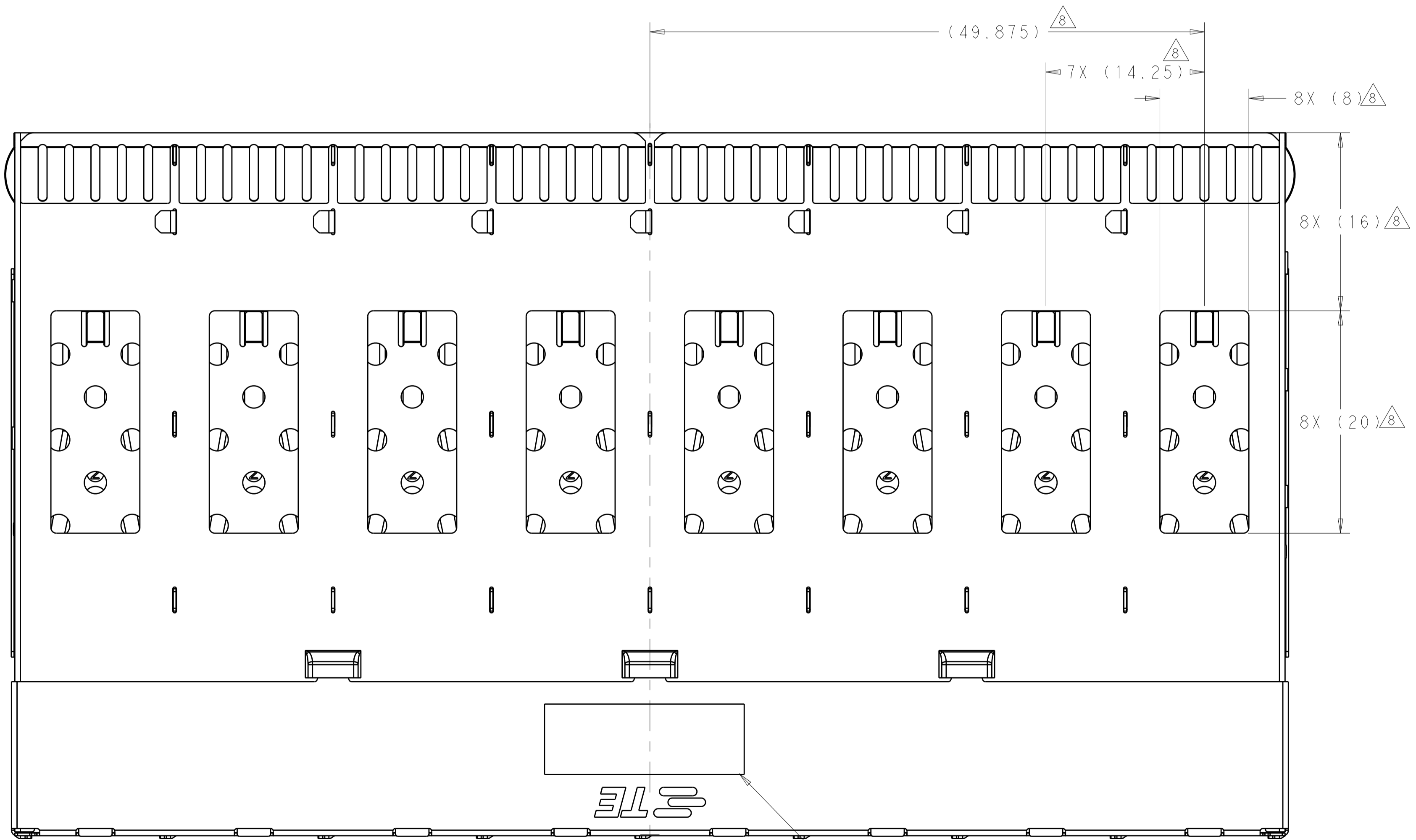
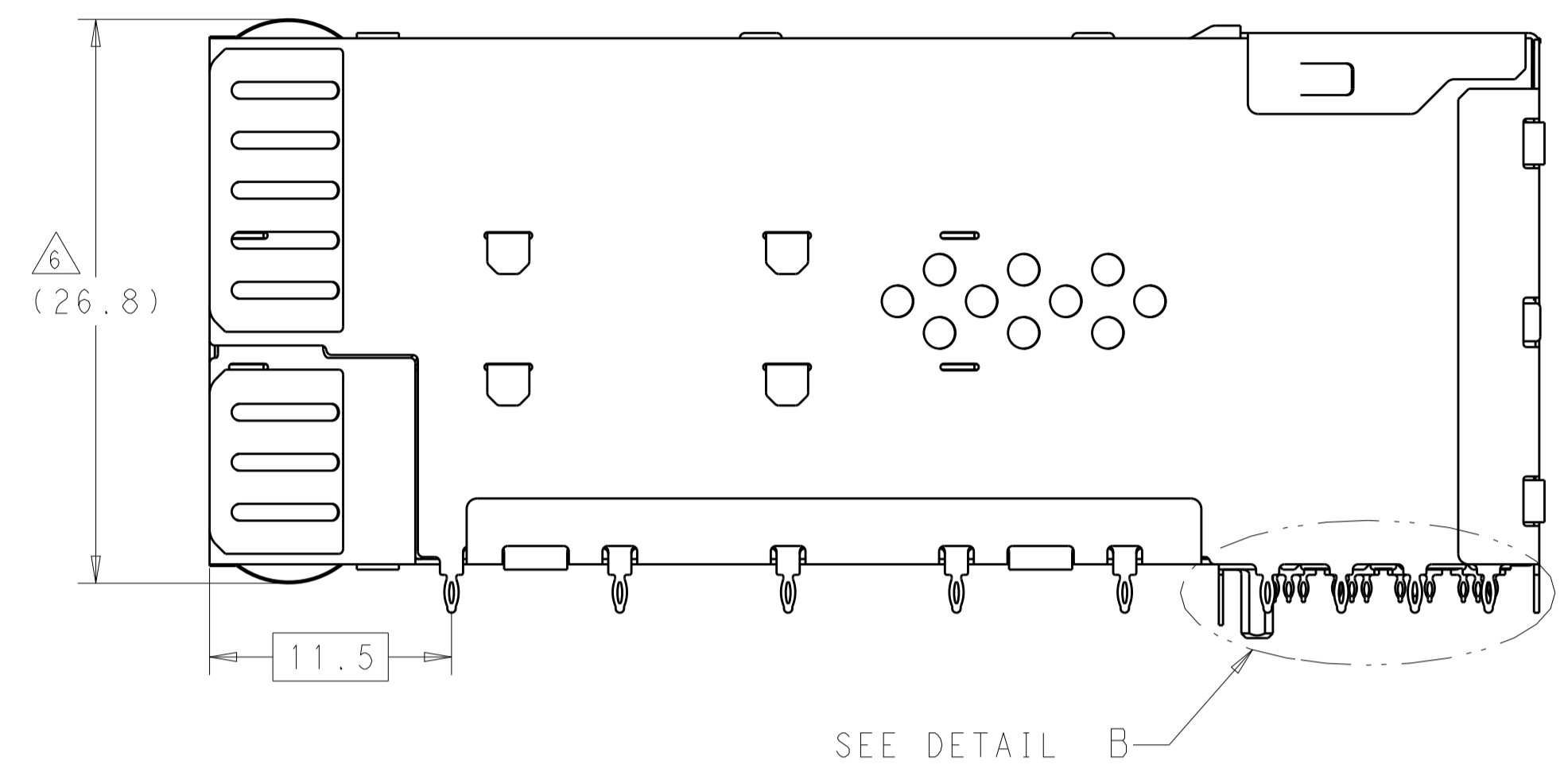
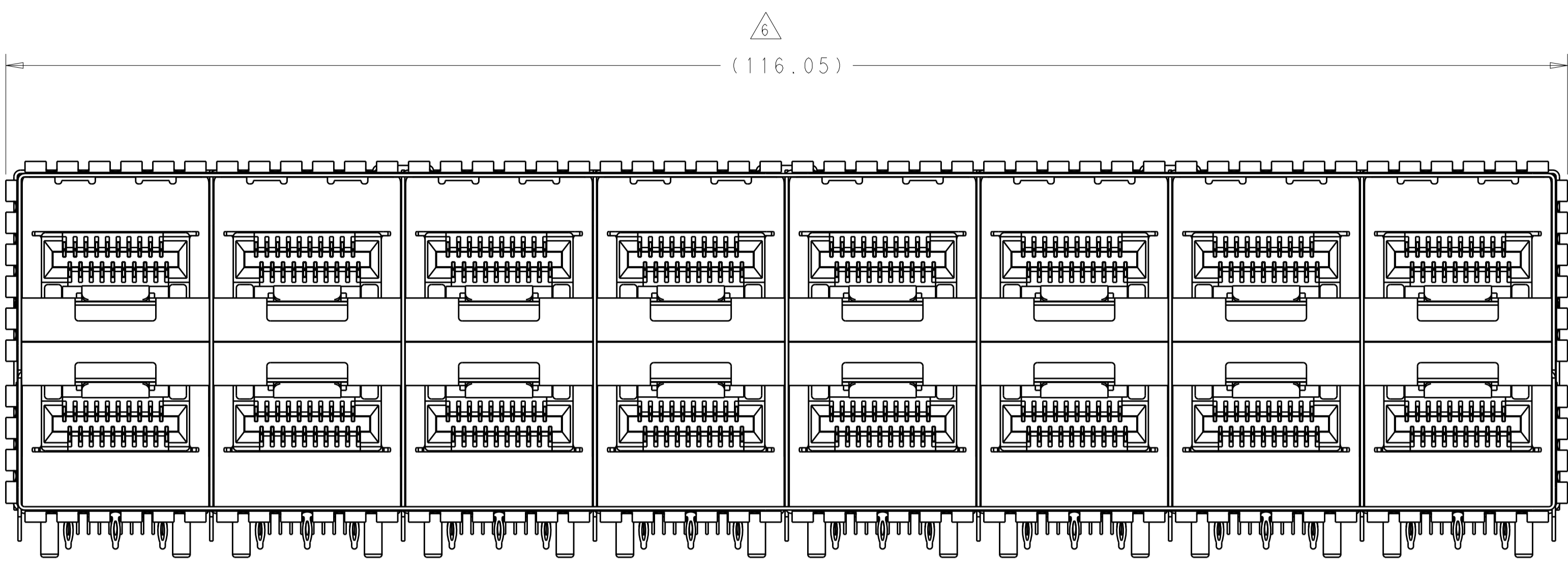
3-2198346-2



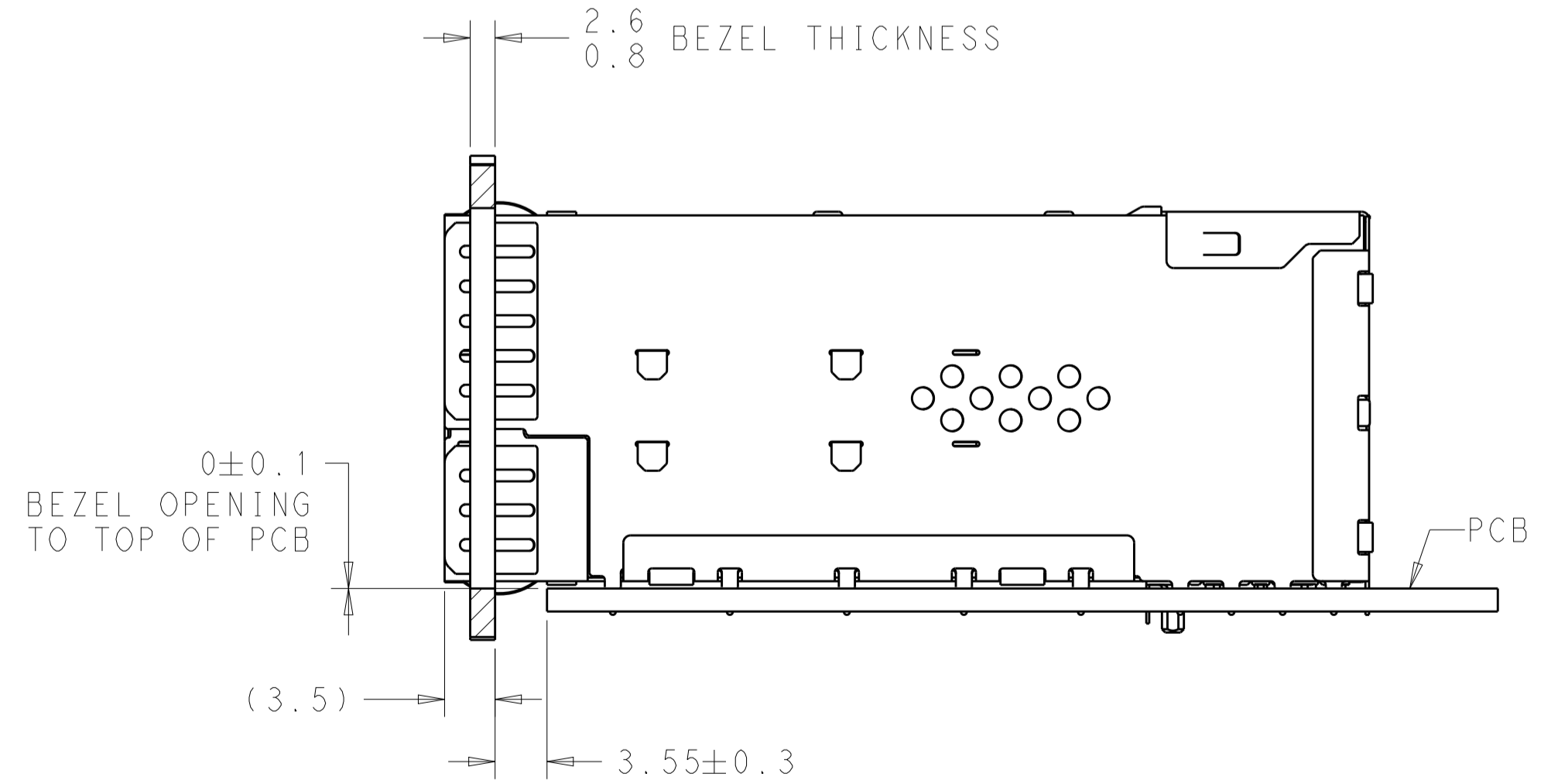
THIS DRAWING IS A CONTROLLED DOCUMENT.		OWN: M.E. CONNER 09DEC2011	TE Connectivity
DIMENSIONS: mm		CHK: M.D. MORRISON 13DEC2011	
TOLERANCES UNLESS OTHERWISE SPECIFIED: 0 PLC ± 1 PLC ±0.20 2 PLC ±0.15 3 PLC ±0.10 4 PLC ± ANGLES ±°		APVD: M.D. MORRISON 13DEC2011	NAME: RECEPTACLE ASSEMBLY, 2X8, STACKED, 2SFP+
MATERIAL: SEE NOTES		PRODUCT SPEC: 108-2481	SIZE: A1
FINISH: SEE NOTES		APPLICATION SPEC: 114-13319	CAGE CODE: 2198346
		WEIGHT: Customer Drawing	RESTRICTED TO: -
		SCALE: 3:1	SHEET 2 OF 7

LOC		DIST		REVISIONS			
P	LTN	DESCRIPTION	DATE	DMN	APVD		
-	-	SEE SHEET 1	-	-	-		

2198346-5 THRU 1-2198346-2, 1-2198346-9, 2-2198346-0, 4-2198346-0  
 EMI SPRINGS ONLY



DETAIL B  
 SCALE 10:1

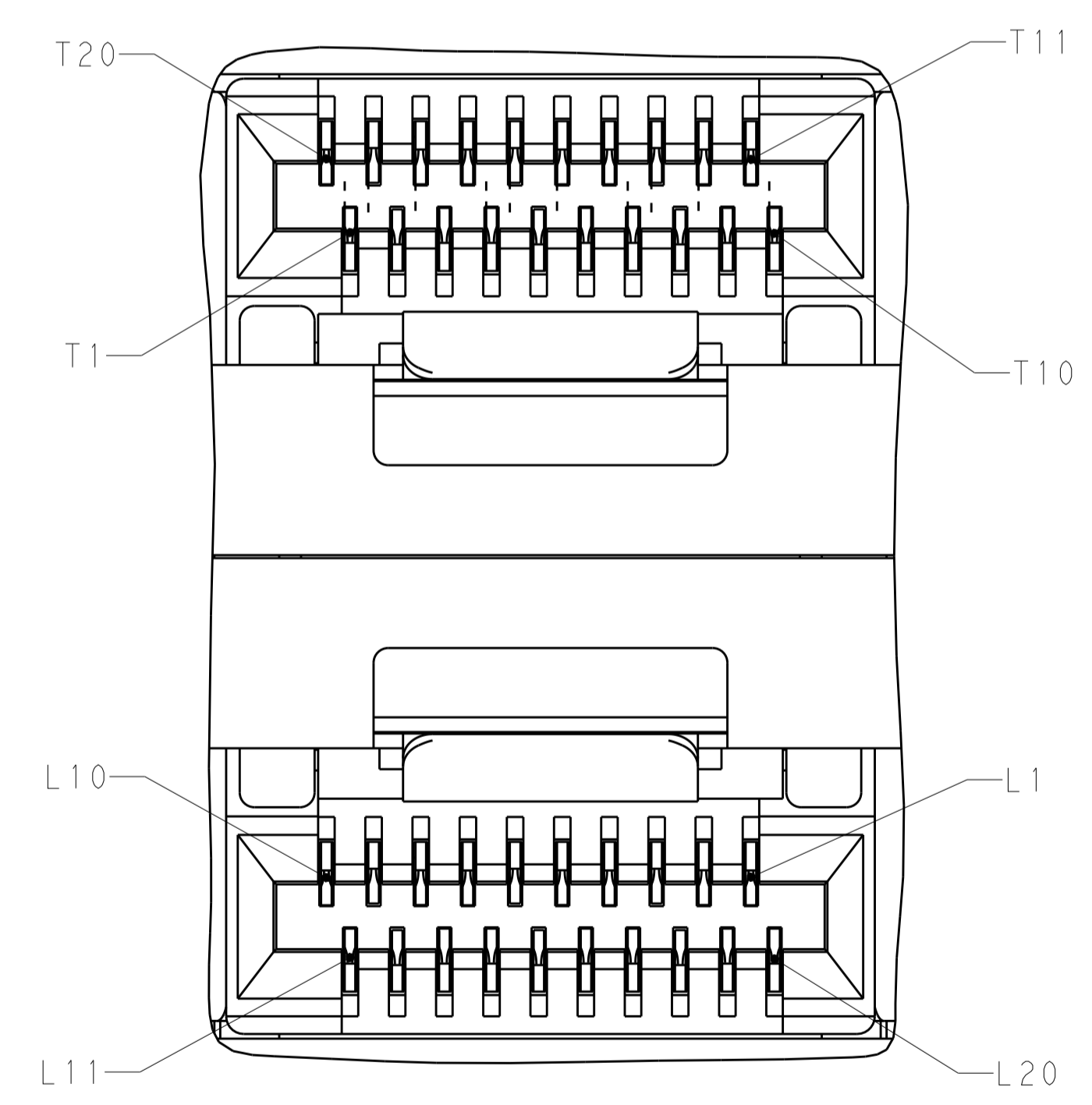
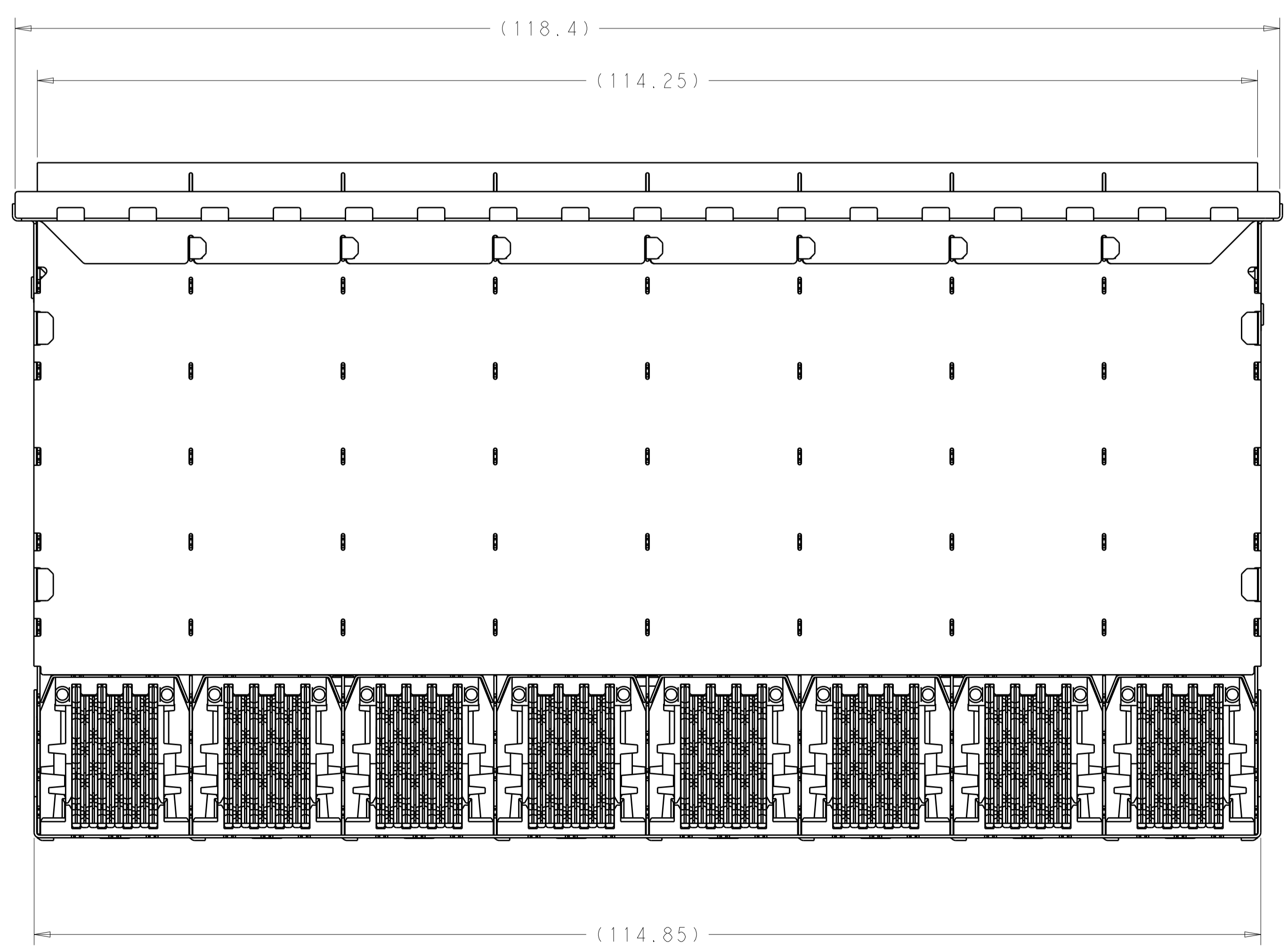
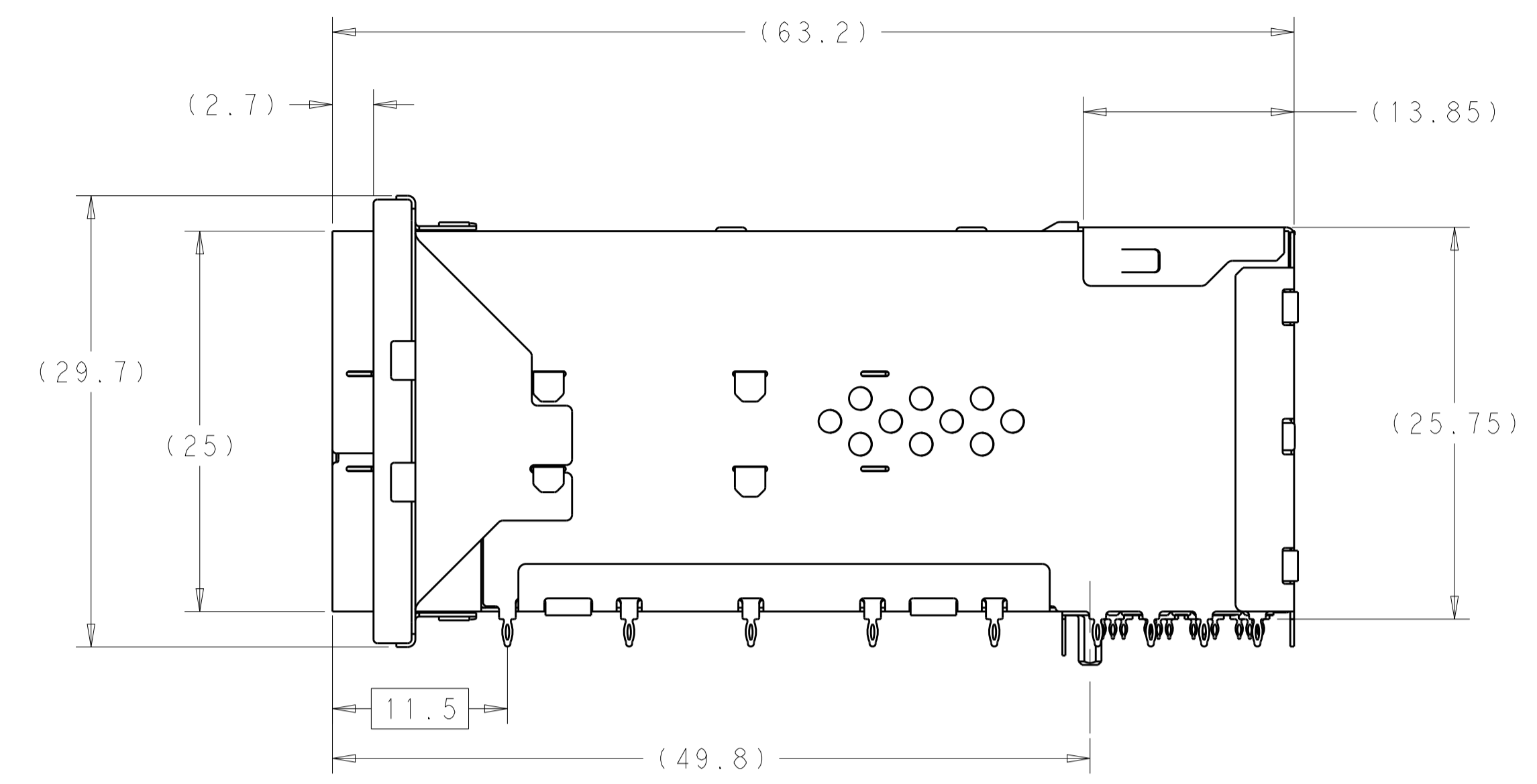
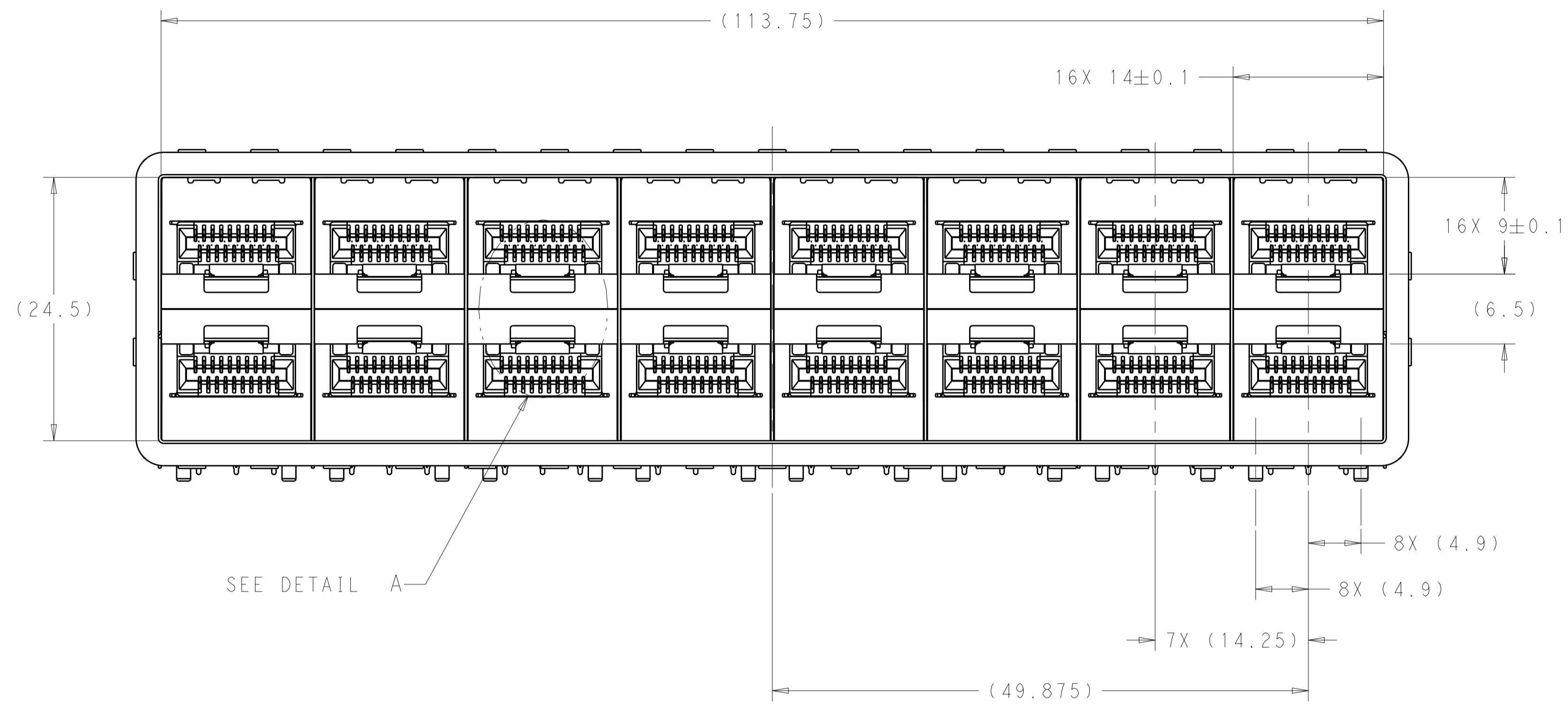


RECOMMENDED BEZEL LOCATION WITH EMI SPRINGS  
 SCALE 5:2

LASER MARK DATE CODE AND PART NUMBER  
 IN APPROXIMATE LOCATION SHOWN

THIS DRAWING IS A CONTROLLED DOCUMENT.		DMN: M.E. CONNER 09DEC2011	TE Connectivity
DIMENSIONS: mm		CHK: M.D. MORRISON 13DEC2011	
TOLERANCES UNLESS OTHERWISE SPECIFIED:		APVD: M.D. MORRISON 13DEC2011	NAME: RECEPTACLE ASSEMBLY, 2X8, STACKED, zSFP+
0 PLC ±0.20		PRODUCT SPEC: 108-2481	
1 PLC ±0.15		APPLICATION SPEC: 114-13319	SIZE: CAGE CODE DRAWING NO: A100779 WEIGHT: - SCALE: 3:1 SHEET 3 OF 7 REV C
2 PLC ±0.10		FINISH: -	
3 PLC ±0.10		Customer Drawing	
4 PLC ±0.10			
ANGLES: -			

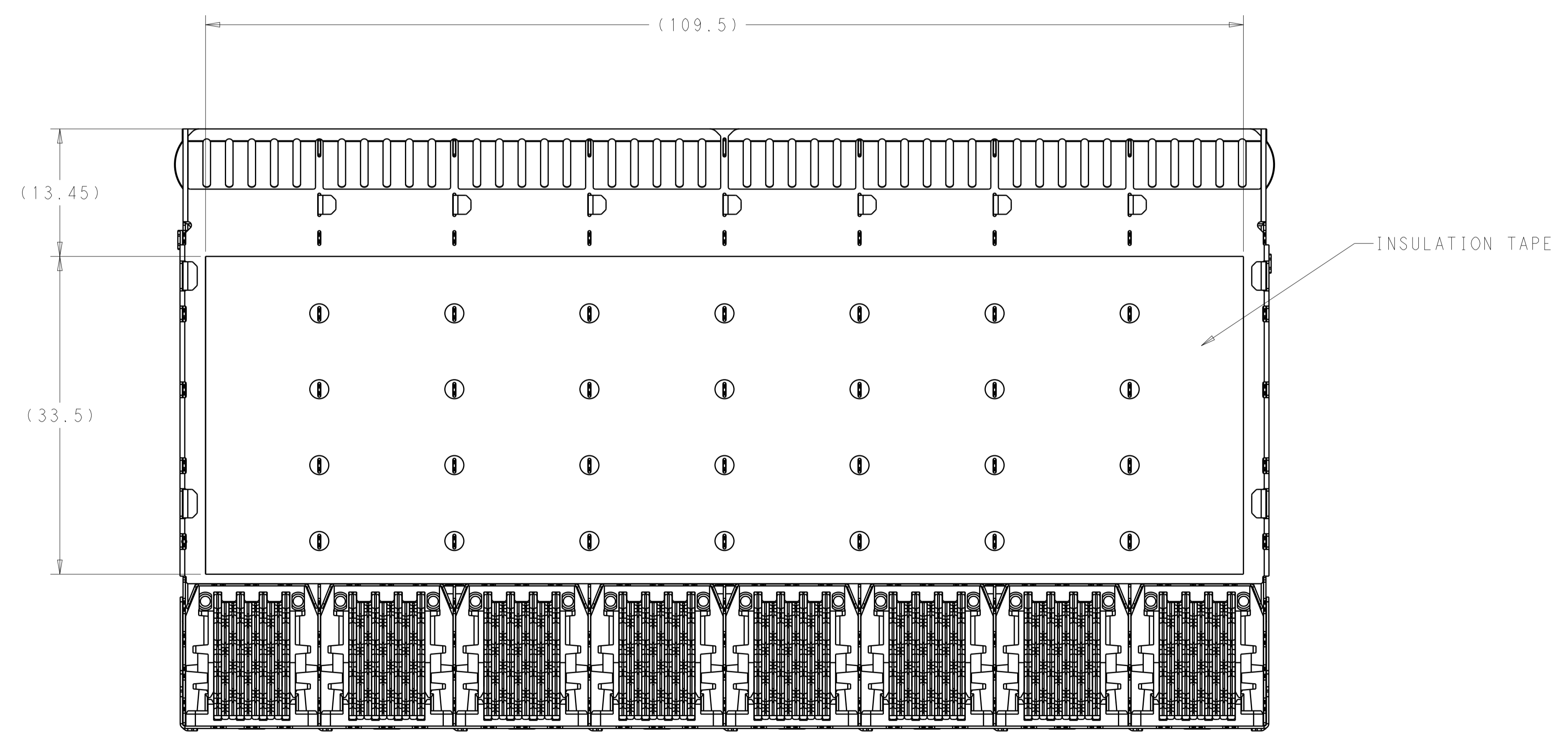
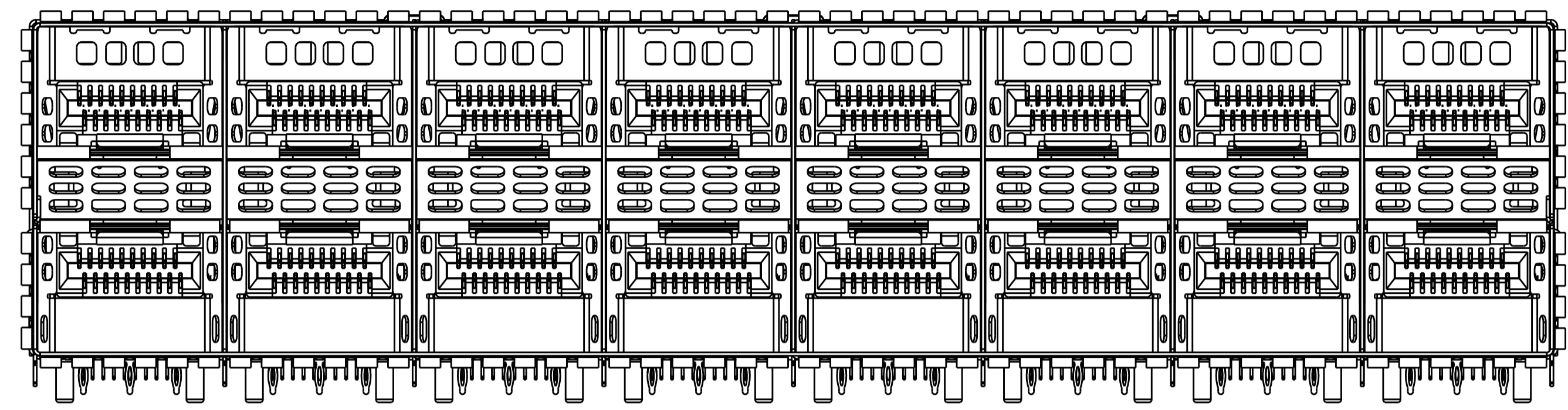
LOC		DIST		REVISIONS			
P	LTN	DESCRIPTION	DATE	DWN	APVD		
-	-	SEE SHEET 1	-	-	-		



THIS DRAWING IS A CONTROLLED DOCUMENT.		DWN: M.E. CONWHER 09DEC2011	TE Connectivity
DIMENSIONS: mm		CHK: M.D. MORRISON 13DEC2011	
TOLERANCES UNLESS OTHERWISE SPECIFIED:		APVD: M.D. MORRISON 13DEC2011	NAME: RECEPTACLE ASSEMBLY, 2X8, STACKED, zSFP+
0 PLC ±.20 1 PLC ±0.20 2 PLC ±0.15 3 PLC ±0.10 4 PLC ±.10 ANGLES ±.1°		PRODUCT SPEC: 108-2481	
MATERIAL: SEE NOTES		APPLICATION SPEC: 114-13319	SIZE: A1
FINISH: SEE NOTES		WEIGHT: -	CAGE CODE: 2198346
		Customer Drawing	SCALE: 3:1 SHEET 4 OF 7 REV C

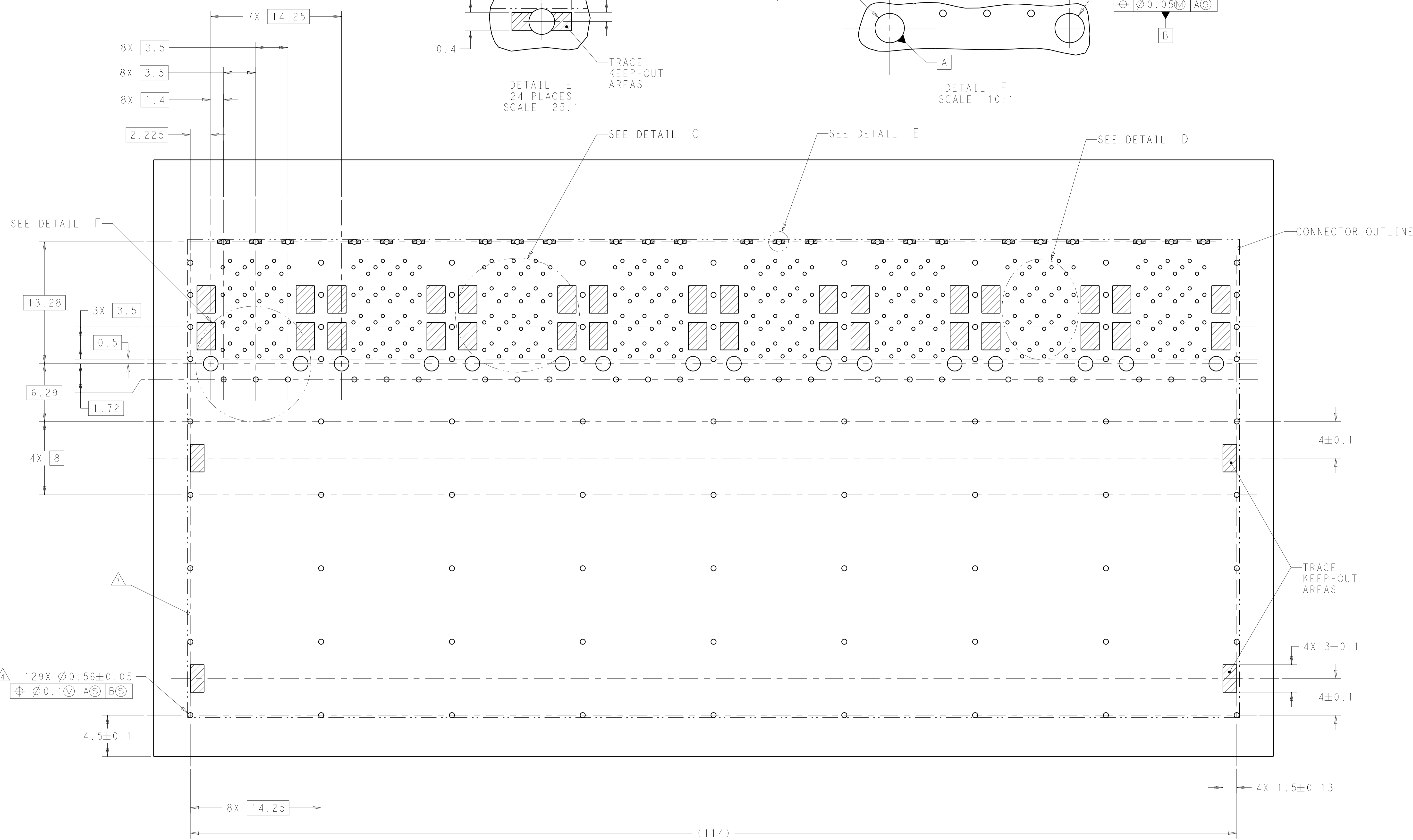
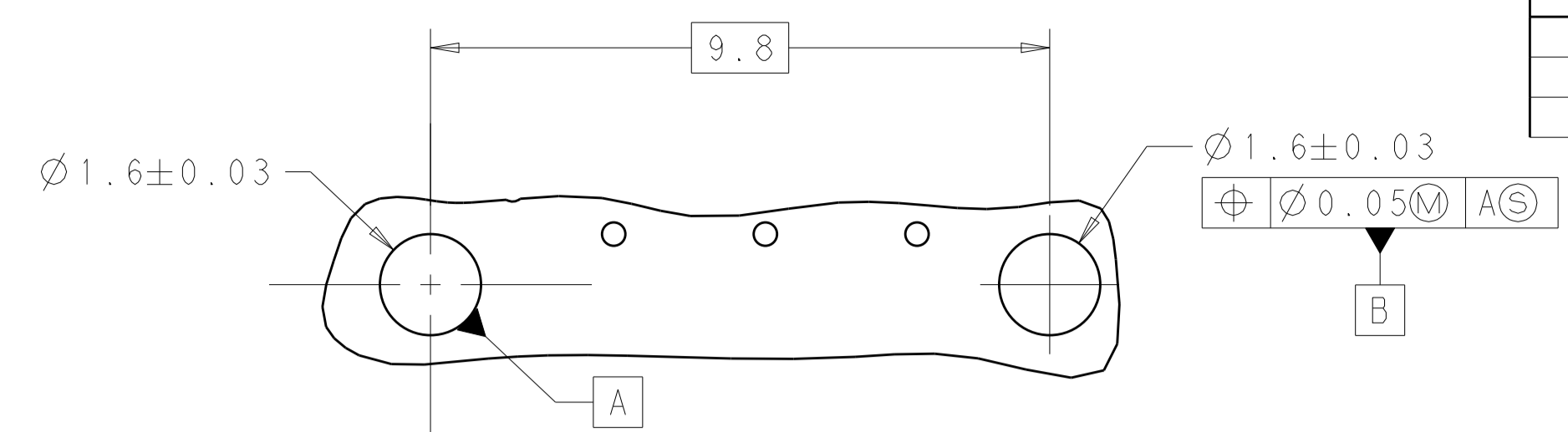
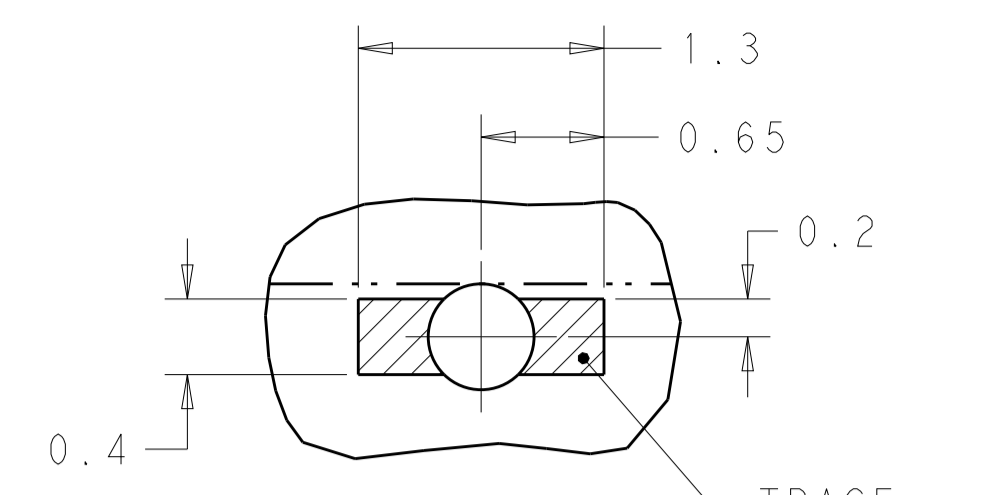
LOC	DIST	REVISIONS			
P.	LTN	DESCRIPTION	DATE	DWN	APVD
-	-	SEE SHEET 1	-	-	-

3-2198346-3  
 UNMARKED DIMENSIONS SAME AS 3-2198346-1



THIS DRAWING IS A CONTROLLED DOCUMENT.		DWN: M.E. CONNER 09DEC2011	TE Connectivity
DIMENSIONS: mm		CHK: M.D. MORRISON 13DEC2011	
TOLERANCES UNLESS OTHERWISE SPECIFIED: 0 PLC ±.25 1 PLC ±.25 2 PLC ±.25 3 PLC ±.25 4 PLC ±.25 ANGLES ±.1		APVD: M.D. MORRISON 13DEC2011	NAME: RECEPTACLE ASSEMBLY, 2X8, STACKED, 2SFP+
MATERIAL: SEE NOTES		PRODUCT SPEC: 108-2481	SIZE: A100779
FINISH: SEE NOTES		APPLICATION SPEC: 114-13319	DRAWING NO: C=2198346
Customer Drawing		RESTRICTED TO: -	SCALE: 3:1 SHEET 5 OF 7 REV C

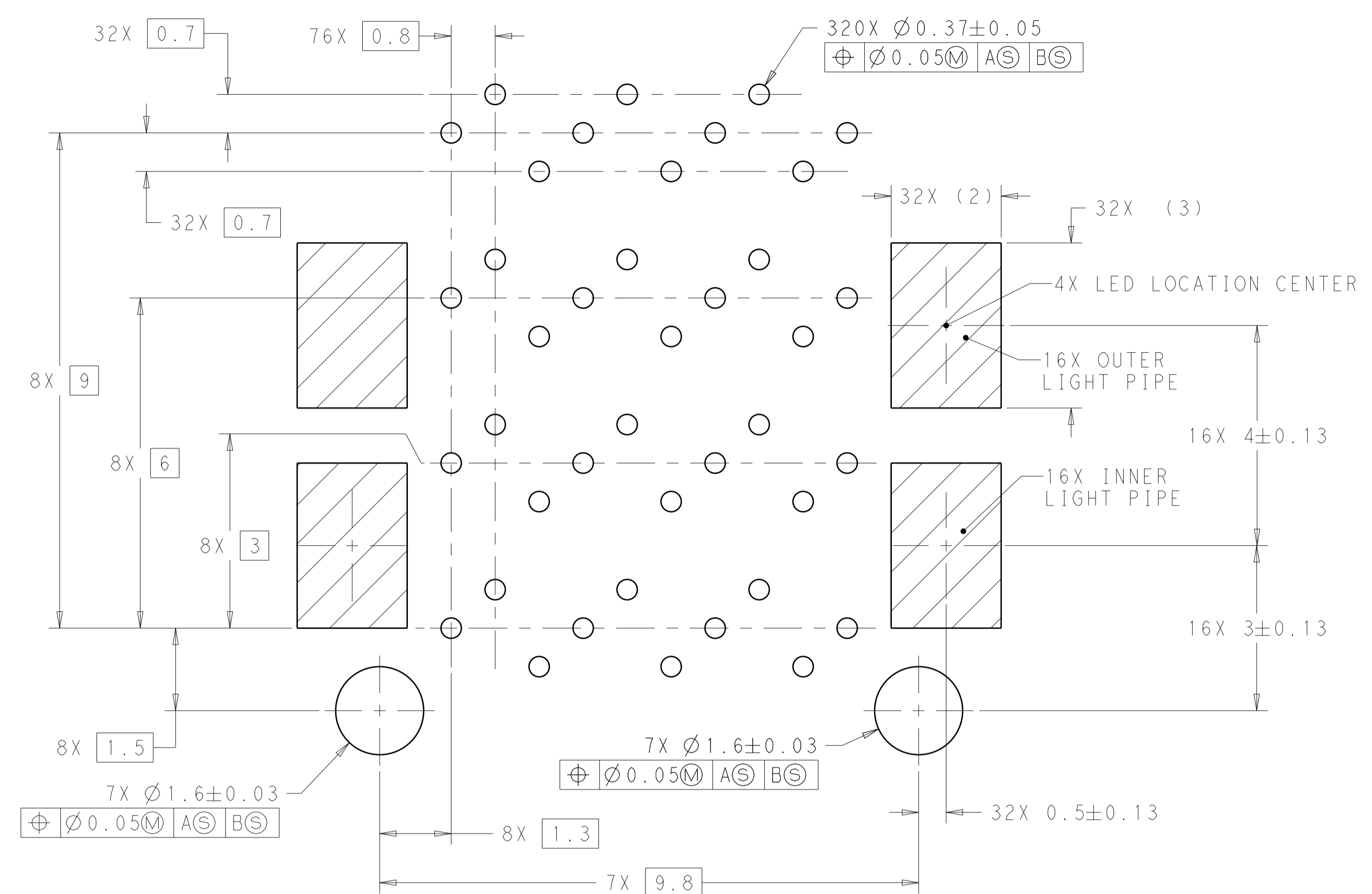
LOC	DIST	REVISIONS			
P.	LTN	DESCRIPTION	DATE	DMN	APVD
-	-	SEE SHEET 1	-	-	-



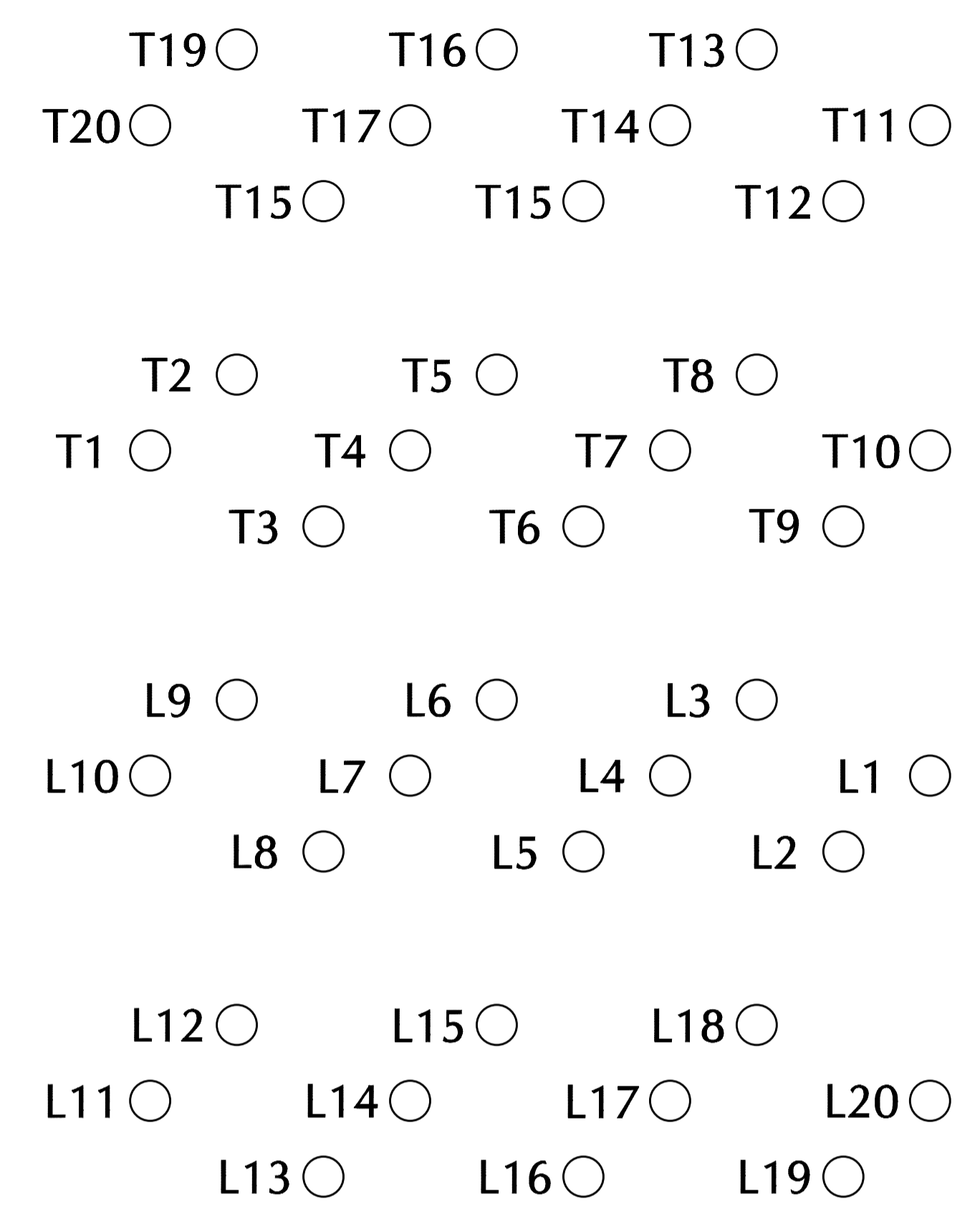
RECOMMENDED PCB LAYOUT  
SCALE 5:1

THIS DRAWING IS A CONTROLLED DOCUMENT.		DMN: M.E. CONNER 09DEC2011	TE Connectivity
DIMENSIONS: mm		CHK: M.D. MORRISON 13DEC2011	
TOLERANCES UNLESS OTHERWISE SPECIFIED: 0 PLC ± 1 PLC ±0.20 2 PLC ±0.15 3 PLC ±0.10 4 PLC ± ANGLES ±		APVD: M.D. MORRISON 13DEC2011	NAME: RECEPTACLE ASSEMBLY, 2X8, STACKED, zSFP+
MATERIAL: SEE NOTES		PRODUCT SPEC: 108-2481	SIZE: CAGE CODE DRAWING NO: A100779
FINISH: SEE NOTES		APPLICATION SPEC: 114-13319	RESTRICTED TO: -
Customer Drawing		WEIGHT: -	SCALE: 3:1 SHEET 6 OF 7 REV C

LOC	DIST	REV	DATE	BY	APPV
		1			
		2			
		3			
		4			
		5			
		6			
		7			
		8			

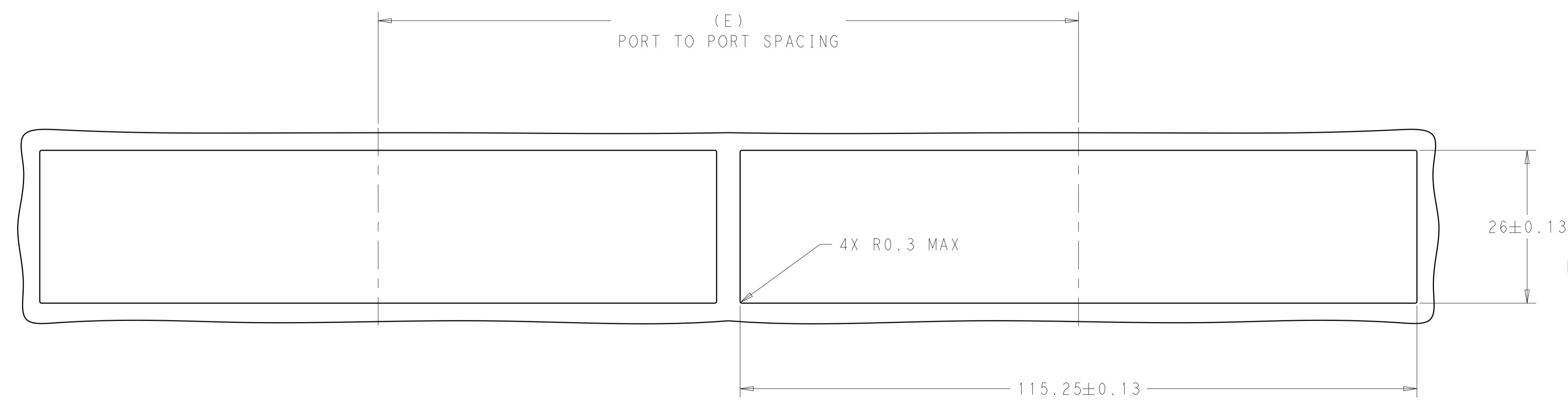


DETAIL C  
 RECOMMENDED PIN AND LIGHT PIPE LAYOUT  
 SCALE 15:1

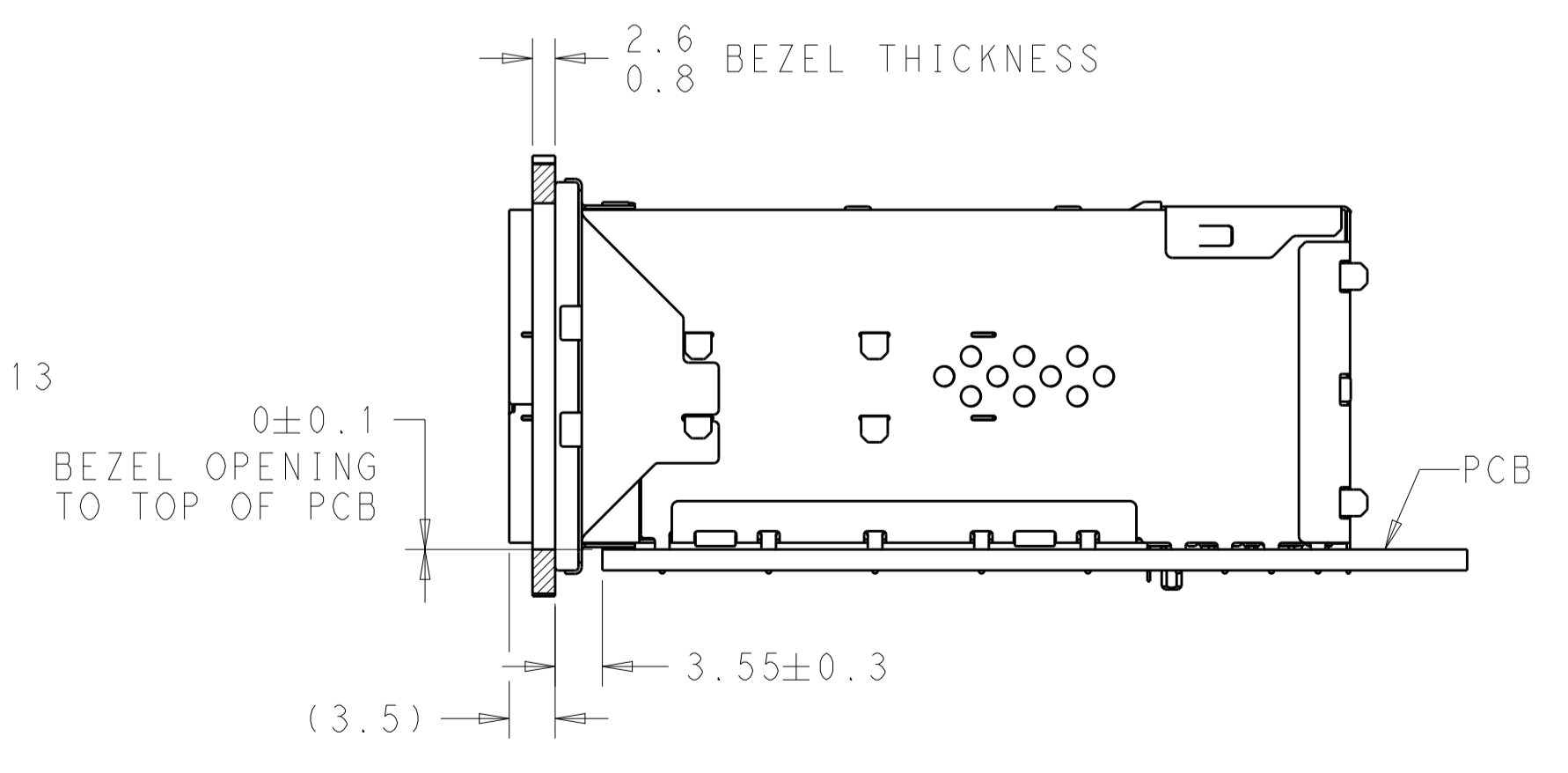


PIN MAP LEGEND	
PIN NUMBER	FUNCTION
L1/T1	VEET
L2/T2	TX-FAULT
L3/T3	TX-DISABLE
L4/T4	SDA
L5/T5	SCL
L6/T6	MOD_ABS
L7/T7	RSO
L8/T8	RX_LOS
L9/T9	RS1
L10/T10	VEER
L11/T11	VEER
L12/T12	RD-
L13/T13	RD+
L14/T14	VEER
L15/T15	VCCR
L16/T16	VCCT
L17/T17	VEET
L18/T18	TD+
L19/T19	TD-
L20/T20	VEET

DETAIL D  
 PIN MAP  
 8X PLACES  
 SCALE 20:1



RECOMMENDED BEZEL CUT-OUT DETAIL  
 SCALE 2:1



RECOMMENDED BEZEL LOCATION WITH EMI GASKET  
 SCALE 2:1

THIS DRAWING IS A CONTROLLED DOCUMENT.		OWN: M.E. CONNER 09DEC2011	TE Connectivity
DIMENSIONS: mm		CHK: M.D. MORRISON 13DEC2011	
TOLERANCES UNLESS OTHERWISE SPECIFIED:		APV: M.D. MORRISON 13DEC2011	NAME: RECEPTACLE ASSEMBLY, 2X8, STACKED, zSFP+
0 PLC ±0.20		PRODUCT SPEC: 108-2481	
1 PLC ±0.15		APPLICATION SPEC: 114-13319	SIZE: A1 CAGE CODE: 00779 DRAWING NO: 2198346
2 PLC ±0.10		WEIGHT: -	
3 PLC ±0.05		Customer Drawing	RESTRICTED TO: -
4 PLC ±0.03			SCALE: 3:1 SHEET: 7 OF 7 REV: C
ANGLES: °			
FINISH: SEE NOTES			

## X-ON Electronics

Largest Supplier of Electrical and Electronic Components

*Click to view similar products for [I/O Connectors](#) category:*

*Click to view products by [TE Connectivity](#) manufacturer:*

Other Similar products are found below :

[571763P](#) [58098-0628](#) [72.250.1628.2](#) [72.250.2428.2](#) [74720-0505](#) [76.350.0729.0](#) [76871-1403](#) [FCN-244F080-G/1](#) [FCN-260A9920](#) [PCR-E36PM](#) [PCS-XE26MA+](#) [G38A71314B](#) [1571250010](#) [157-22500-3](#) [MS3471L14-19P L/C](#) [172501-4002](#) [172501-6002](#) [FCN-260C008-A/L0](#) [FCN-260C024-AL0](#) [FCN-261Z008](#) [2000314-1](#) [200331-1](#) [PCR-E36FC+](#) [PCS-E28FS+](#) [PCS-XE26SLFD+](#) [PCS-XE26SLFDT+](#) [G730VID08BDC24](#) [U90B2054081210](#) [38113800006](#) [DP3AR020WQ1R200](#) [Z4.102.0680.0](#) [500-1040](#) [500-1052](#) [500-1054](#) [ZP-4008-66L](#) [0709821002](#) [DX40-20P\(55\)](#) [5554841-1](#) [MS3474W18-8P-LC\\*](#) [U90B3054061110](#) [U65-E04-4020](#) [ZPF000000000097891](#) [747360449](#) [10099439-003C-TRLF](#) [10137239-0021LF](#) [E9320-001-01](#) [10137239-0011LF](#) [70289-001LF](#) [70.060.1028.0](#) [109029-ZZ](#)