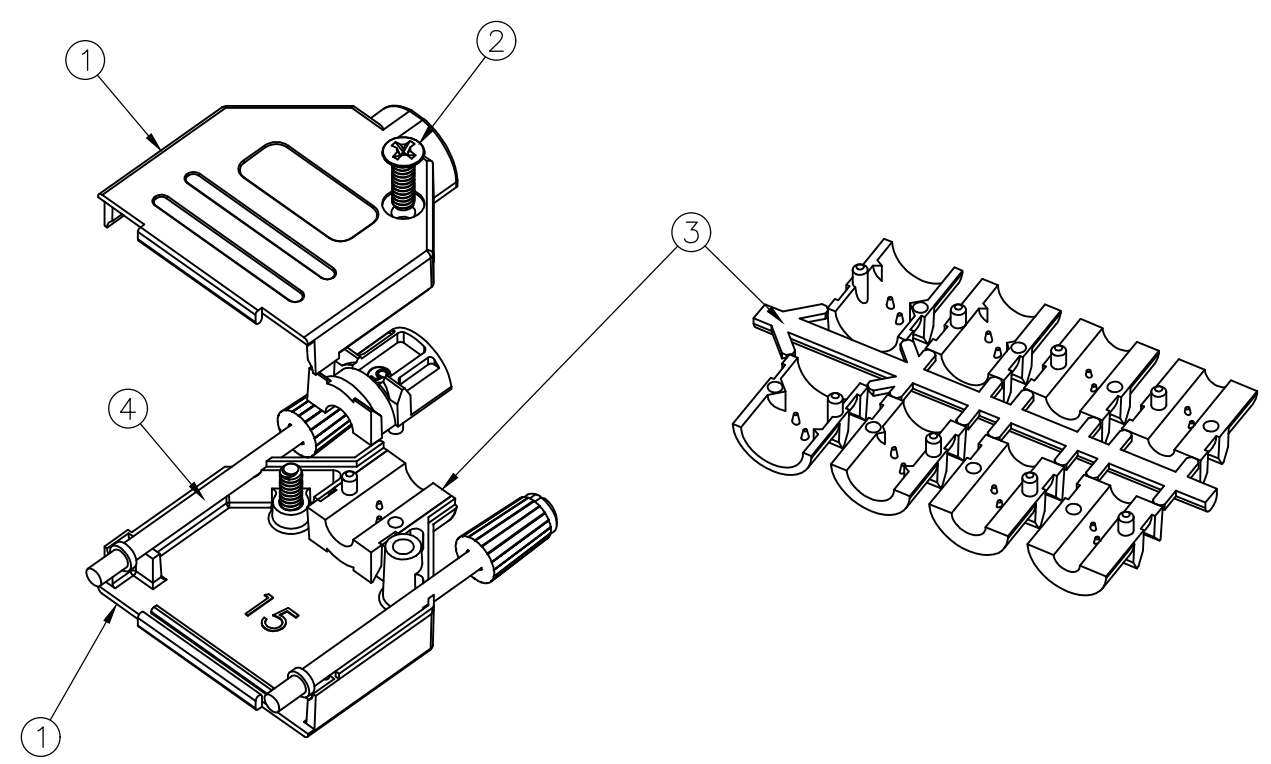
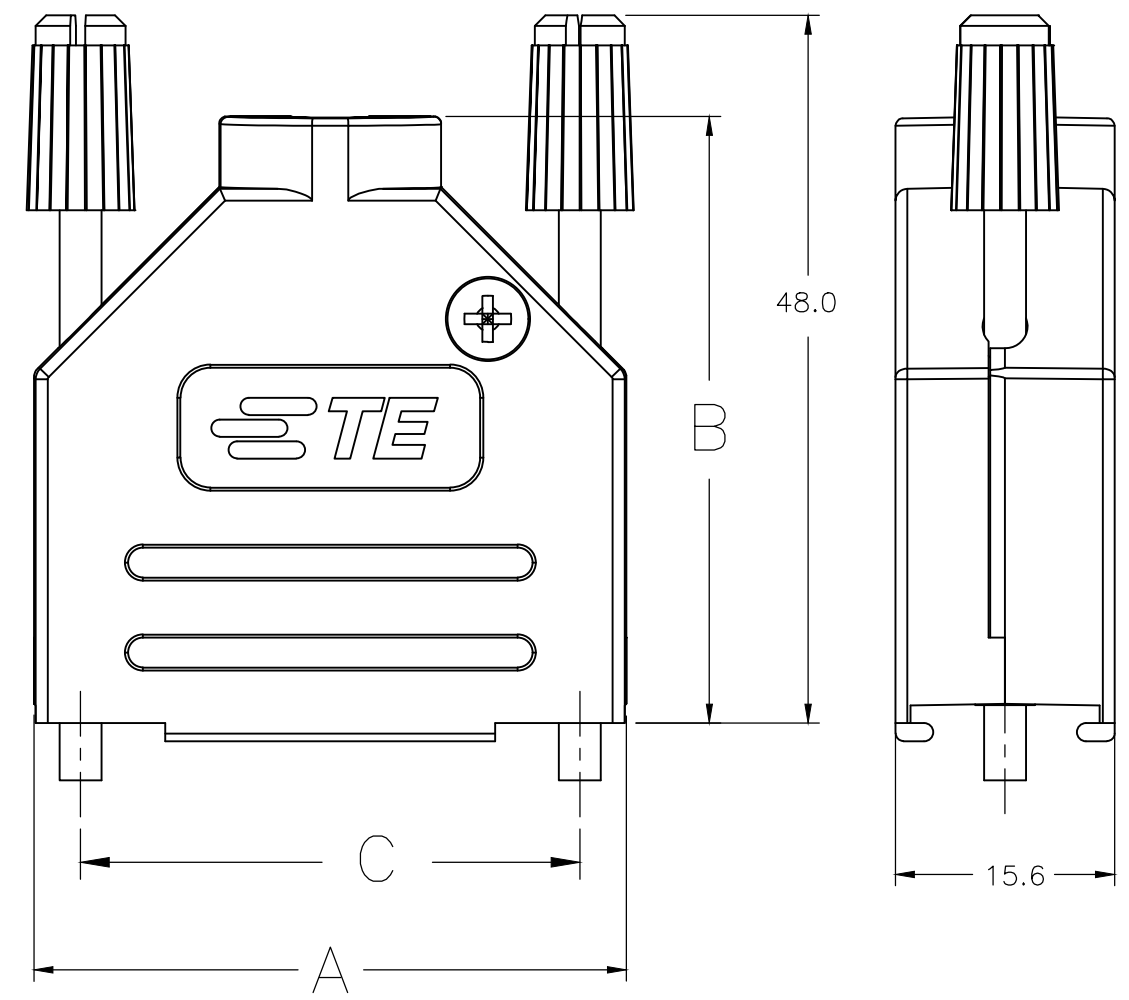


THIS DRAWING IS UNPUBLISHED. RELEASED FOR PUBLICATION DEC ,2011.
 © COPYRIGHT 2011 By - ALL RIGHTS RESERVED.

LOC	DIST	REVISIONS					
GP	00	P	LTR	DESCRIPTION	DATE	DWN	APVD
		F		REVISED PER ECO-18-006244	24APR2018	AP	DG



- 1. FOR ASSEMBLY DETAILS, REFER TO LEAFLET 2227518-1.
- 2. BULK PACKAGED BACKSHELL ASSEMBLIES: ITEMS 1 THRU 4, 100 TIMES QTY SHOWN IN TABLE IN 1 BAG FOR EACH ITEM. ALL BAGS IN 1 BOX WITH (1) 2227518-1 LEAFLET.
- 3. INDIVIDUALLY PACKAGED SHELL ASSEMBLIES: 1 BAG CONTAINS ALL COMPONENTS FOR 1 COMPLETE ASSEMBLY. 100 BAGS PER BOX, (1) 2227518-1 LEAFLET PER BOX.
- 4. TERMINATES 4.0-13.0 CABLE DIAMETERS.
- 5. 15 POSITION SHOWN.
- 6. TRIVALENT CHROMIUM CHROMATE COATING OVER ZINC PLATING.
- 7. OPTIONAL CABLE CRIMP KIT AVAILABLE FOR 6.0-9.5 DIAMETER CABLE. SEE 1478764.

3	63.5	52.2	69.5	PHILLIPS	4-40 UNC	4	37 WAY	5-2198617-4
3	47.0	47.8	53.0	PHILLIPS	4-40 UNC	3	25 WAY	5-2198617-3
3	33.3	40.5	39.3	PHILLIPS	4-40 UNC	2	15 WAY	5-2198617-2
3	25.0	38.3	31.0	PHILLIPS	4-40 UNC	1	9 WAY	5-2198617-1
2	63.5	52.2	69.5	PHILLIPS	4-40 UNC	4	37 WAY	3-2198617-7
2	47.0	47.8	53.0	PHILLIPS	4-40 UNC	3	25 WAY	2-2198617-5
2	33.3	40.5	39.3	PHILLIPS	4-40 UNC	2	15 WAY	1-2198617-5
2	25.0	38.3	31.0	PHILLIPS	4-40 UNC	1	9 WAY	2198617-9
PACKAGING	C	B	A	SELF TAPPING FIXING SCREW TYPE	JACKSCREW THREAD	SHELL SIZE	POSITION	PART NUMBER

4	JACKSCREW ASSEMBLY, 4-40	POLYAMIDE, UL94 V2 KNOB	BLACK	2
		CARBON STEEL SHAFT	6	
3	STRAIN RELIEF SET	POLYCARBONATE UL94 V0	BLACK	1
2	SELF TAPPING FIXING SCREW	CARBON STEEL	6	2
1	BACKSHELL HALF	ABS UL94 V0	NICKEL	2
ITEM	DESCRIPTION	MATERIAL	FINISH	QTY

THIS DRAWING IS A CONTROLLED DOCUMENT. DIMENSIONING AND TOLERANCING PER ASME Y14.5M-2009

DIMENSIONS: mm	TOLERANCES UNLESS OTHERWISE SPECIFIED:	DWN C. VALENTINE 08DEC2011	TE Connectivity SHIELDED PLASTIC BACKSHELL STRAIGHT ENTRY
	0 PLC ± 0.5	CHK C. ROHDE 08DEC2011	
	1 PLC ± 0.5	APVD C. ROHDE 08DEC2011	
	2 PLC ± 0.5	NAME	
	3 PLC ± 0.5	PRODUCT SPEC	SIZE
	4 PLC ± 0.5	APPLICATION SPEC	CAGE CODE
	ANGLES ± 0.5°	WEIGHT	DRAWING NO
MATERIAL SEE TABLE	FINISH SEE TABLE	CUSTOMER DRAWING	RESTRICTED TO
		SCALE NTS	SHEET 1 OF 1
		REV F	

X-ON Electronics

Largest Supplier of Electrical and Electronic Components

Click to view similar products for [D-Sub Backshells](#) category:

Click to view products by [TE Connectivity](#) manufacturer:

Other Similar products are found below :

[600X51137X](#) [600X54009X](#) [M85049/6-38N](#) [M85049/86-12N03](#) [M85049/90-13P03](#) [70.350.0636.4](#) [70.350.2435.1](#) [72.350.1035.2](#)
[72.352.2435.1](#) [73.359.4035.3](#) [829472-1](#) [PCS-E20W](#) [970-015-040R011](#) [971-009-030R121](#) [971-009-040R011](#) [971-015-040R011](#) [DPH-B-003](#)
[1437013-9](#) [1484402-8](#) [156-3025-EX](#) [16-500800](#) [165X02659X](#) [165X03329A](#) [165X03399A](#) [165X10259X](#) [165X11759X](#) [165X11889X](#)
[165X11899X](#) [165X13019X](#) [165X13029X](#) [165X13169X](#) [165X13199X](#) [165X13239X](#) [165X13389X](#) [165X13489X](#) [165X14219X](#)
[165X14429X](#) [165X14449X](#) [165X17409X](#) [165X17439X](#) [165X17569X](#) [165X17599X](#) [165X17609X](#) [165X17889X](#) [165X17979X](#) [L171373](#)
[971-025-030R121](#) [300X10989X](#) [165X02609X](#) [165X02639X](#)