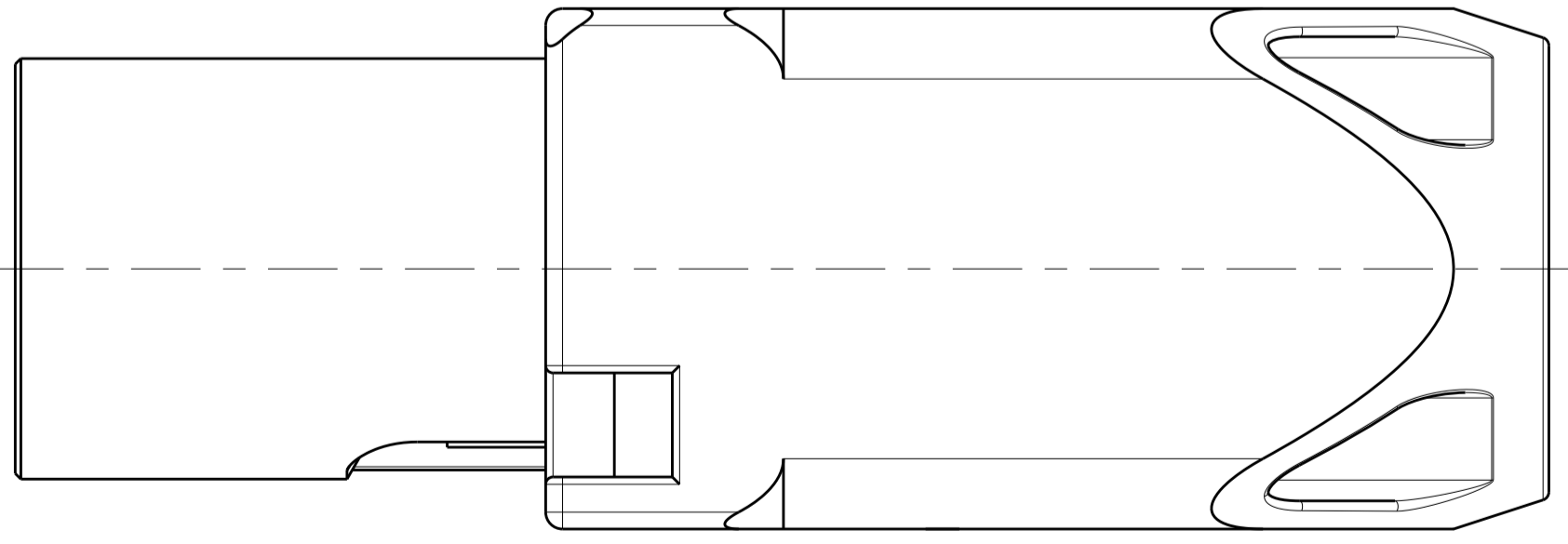
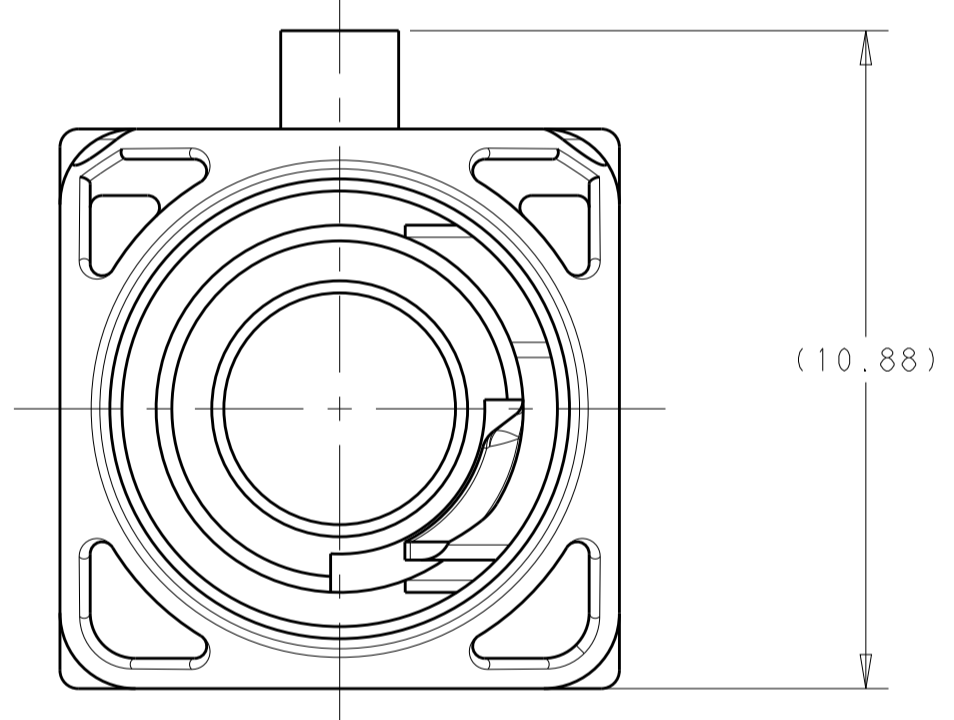
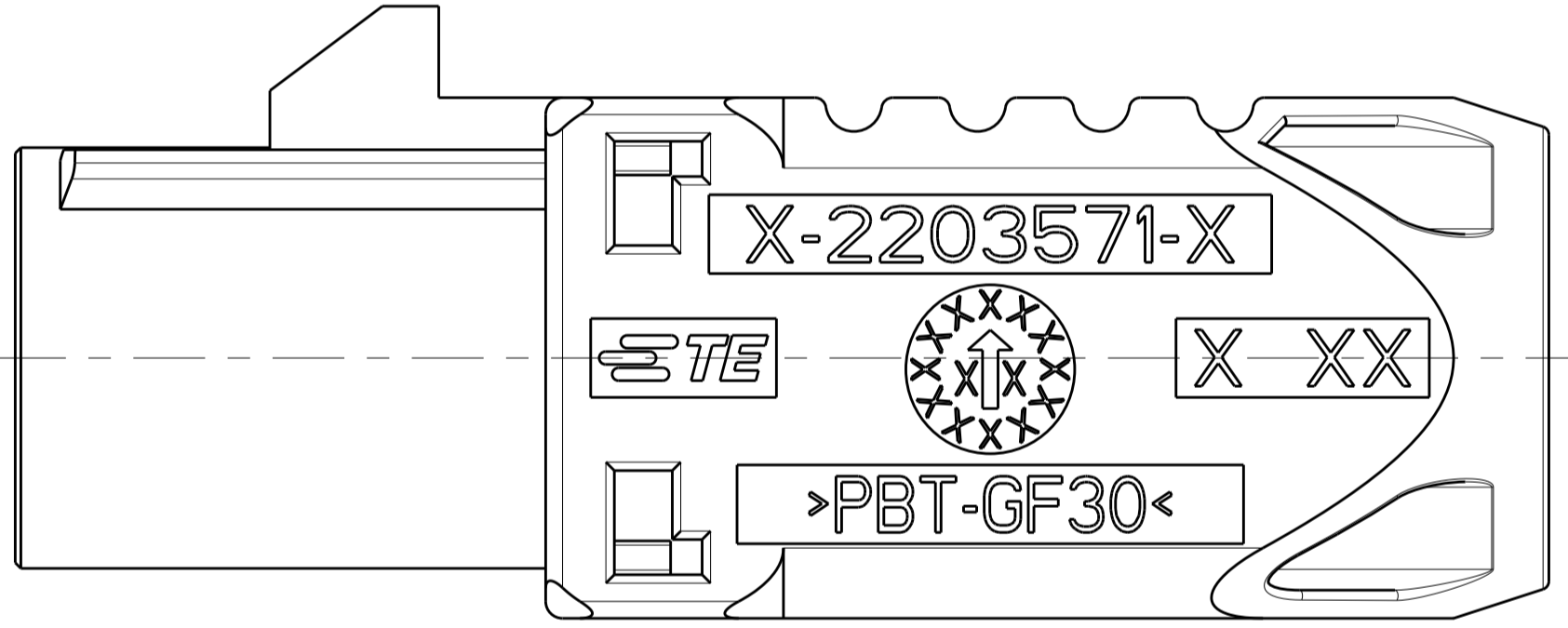
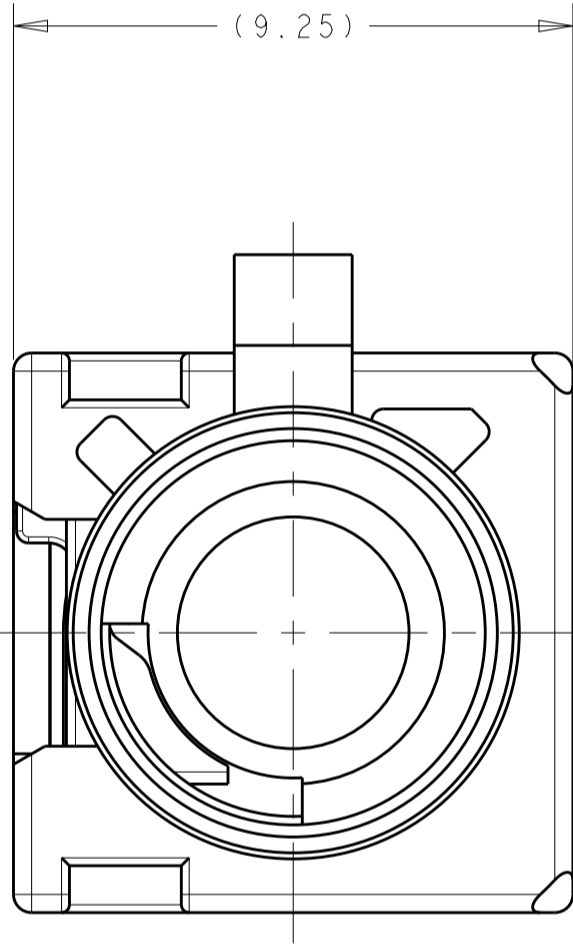
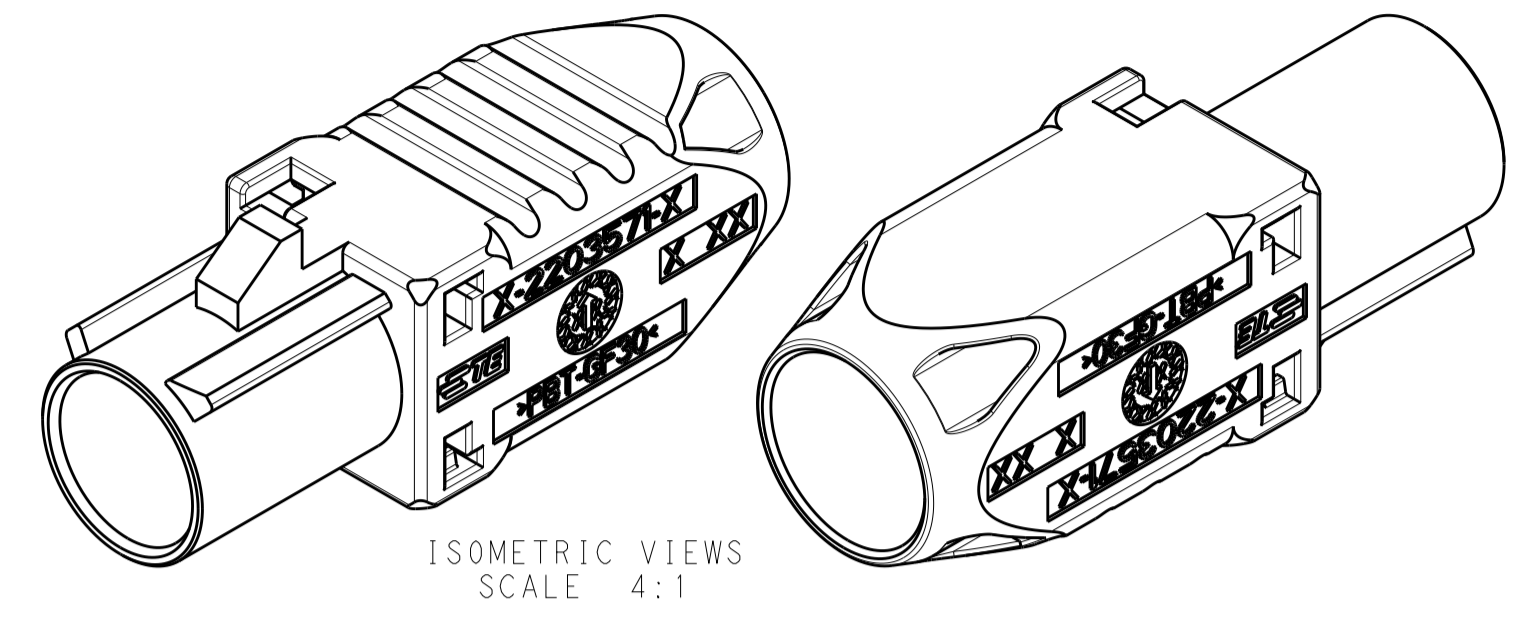
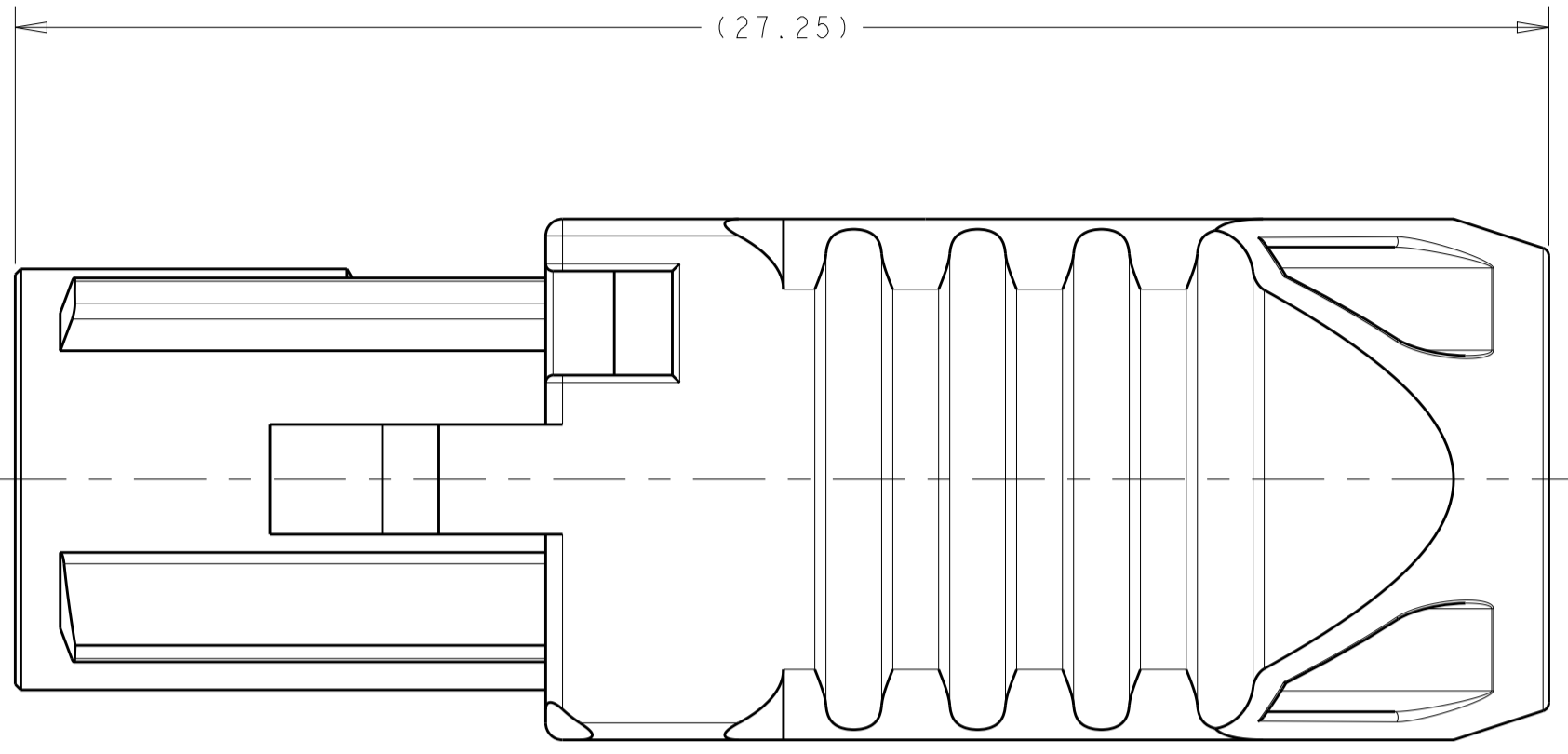


REVISIONS				
P.	LTN	DESCRIPTION	DATE	DWN APVD
1		INITIAL DRAWING.	07APR2017	JAB ERL



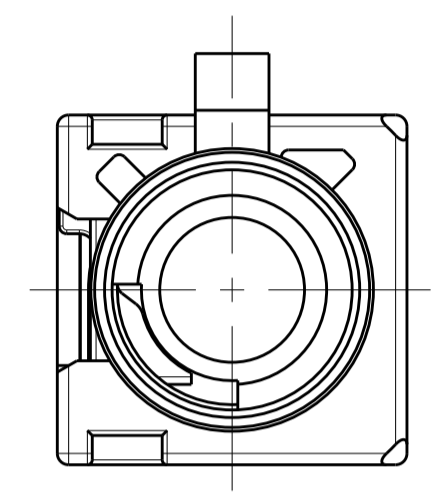
Z	PER DETAIL Z	WATER BLUE	2-2203571-0
N	PER DETAIL N	PASTEL GREEN	1-2203571-3
M	PER DETAIL M	PASTEL ORANGE	1-2203571-2
L	PER DETAIL L	CARMINE RED	1-2203571-1
K	PER DETAIL K	CURRY	1-2203571-0
I	PER DETAIL I	BEIGE	2203571-9
H	PER DETAIL H	HEATHER VIOLET	2203571-8
G	PER DETAIL G	BLUE GREY	2203571-7
F	PER DETAIL F	NUT BROWN	2203571-6
E	PER DETAIL E	LEAF GREEN	2203571-5
D	PER DETAIL D	CLARET VIOLET	2203571-4
C	PER DETAIL C	SIGNAL BLUE	2203571-3
B	PER DETAIL B	CREAM	2203571-2
A	PER DETAIL A	JET BLACK	2203571-1
KEY CODE	KEYING	CODING COLOR	PART NUMBER

- 1. 2203571-1 AS SHOWN.
- 2 MATERIAL, POLYESTER PBT, COLOR SEE TABLE.
- 3 MALE INTERFACE PER ISO-20860-1, ISO-20860-2, SAE/USCAR-17, SAE/USCAR-18.

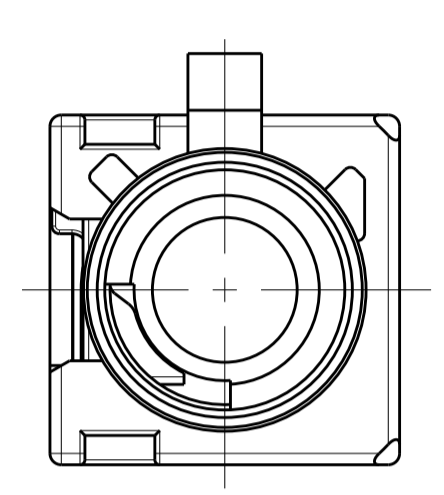
THIS DRAWING IS A CONTROLLED DOCUMENT.		DWN J.A.BAKER 07APR2017	TE Connectivity	
DIMENSIONS:		CHK E.R.LOVE 28JUL2017	NAME MALE HOUSING, 1 POSITION, FAKRA	
TOLERANCES UNLESS OTHERWISE SPECIFIED:		APVD E.R.LOVE 28JUL2017	PRODUCT SPEC -	
mm		108-32137	APPLICATION SPEC -	
0 PLC ±		114-32145	SIZE A1	
1 PLC ±		WEIGHT	CAGE CODE -	
2 PLC ±		FINISH	DRAWING NO C=2203571	
3 PLC ±			RESTRICTED TO	
4 PLC ±			SCALE 8:1	
ANGLES ±			SHEET 1 OF 2	
FINISH			REV A	
MATERIAL		CUSTOMER DRAWING		

THIS DRAWING IS UNPUBLISHED. RELEASED FOR PUBLICATION. COPYRIGHT copyright.dbr- ALL RIGHTS RESERVED.

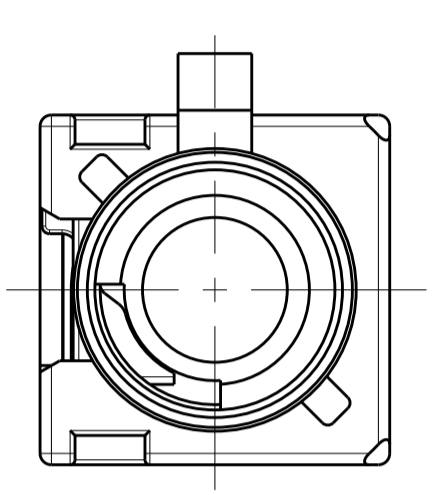
REVISIONS				
P.	LTN	DESCRIPTION	DATE	OWN APVD
-		SEE SHEET 1	-	-



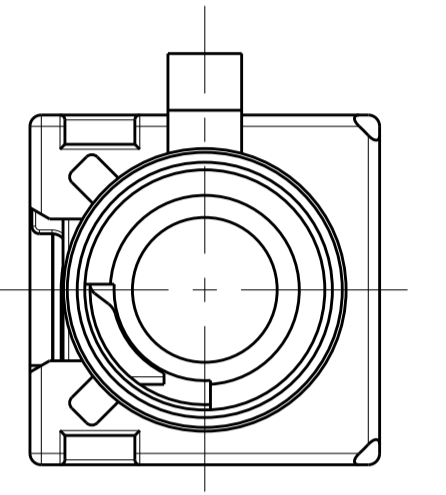
DETAIL A SCALE 5:1



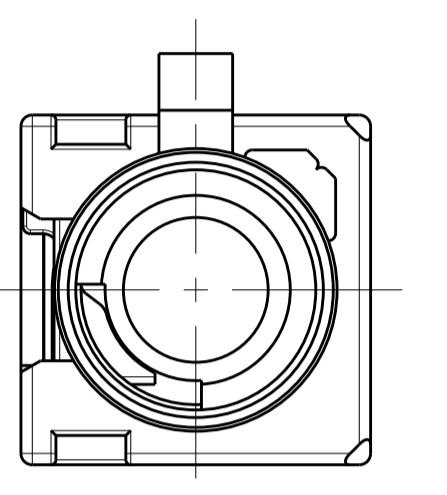
DETAIL B SCALE 5:1



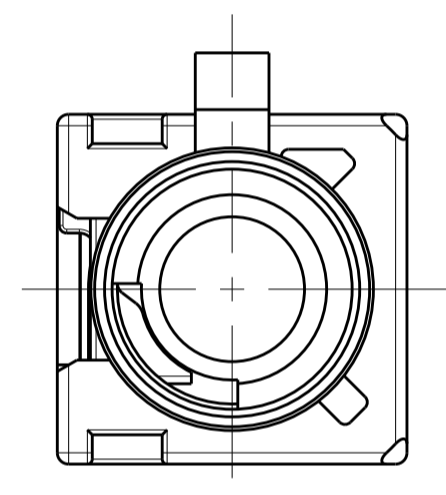
DETAIL C SCALE 5:1



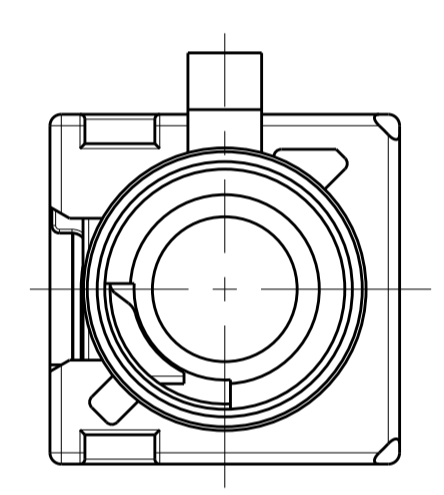
DETAIL D SCALE 5:1



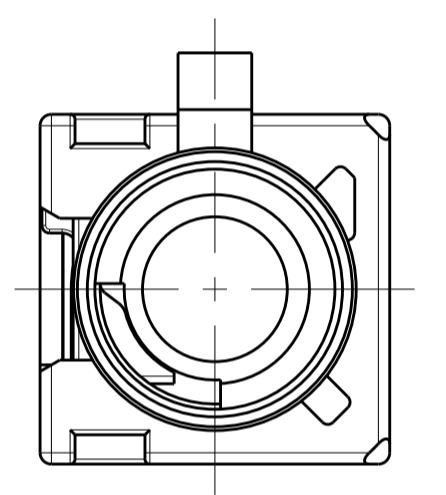
DETAIL E SCALE 5:1



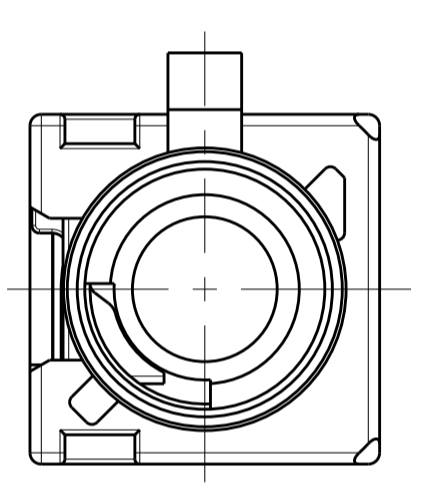
DETAIL F SCALE 5:1



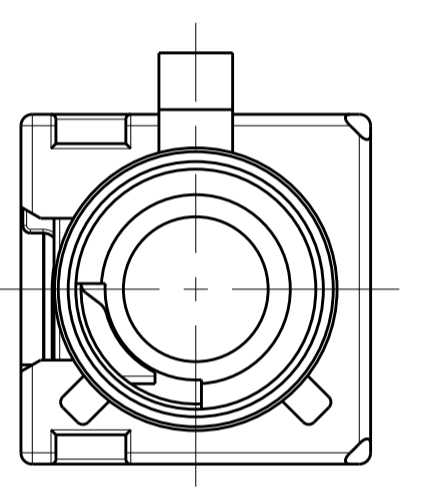
DETAIL G SCALE 5:1



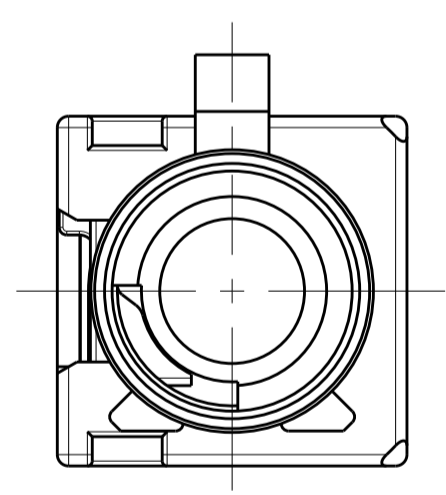
DETAIL H SCALE 5:1



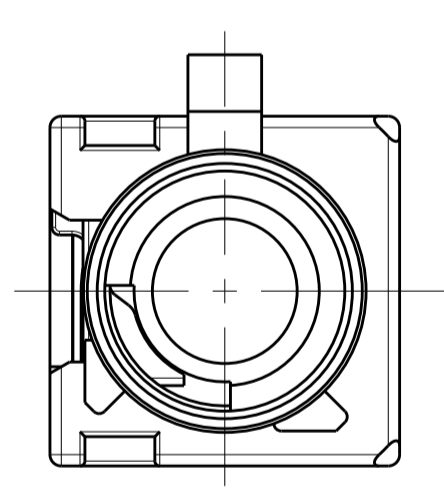
DETAIL I SCALE 5:1



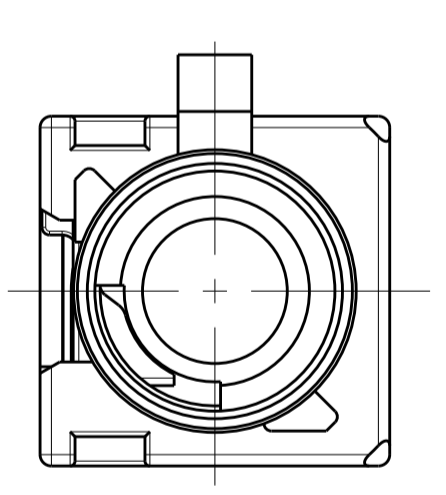
DETAIL K SCALE 5:1



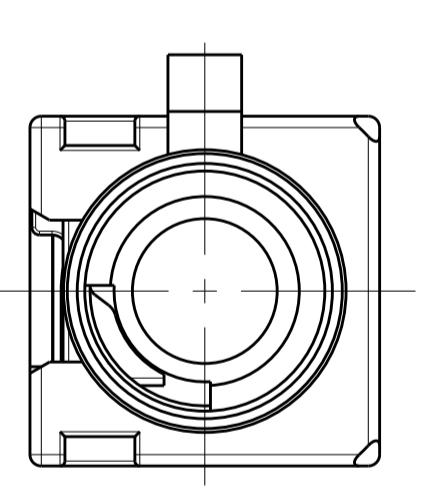
DETAIL L SCALE 5:1



DETAIL M SCALE 5:1



DETAIL N SCALE 5:1



DETAIL Z SCALE 5:1

THIS DRAWING IS A CONTROLLED DOCUMENT.		OWN: J.A. BAKER 07APR2017	
		CHK: E.R. LOVE 28JUL2017	
		APVD: E.R. LOVE 28JUL2017	NAME: MALE HOUSING, 1 POSITION, FAKRA
DIMENSIONS:		TOLERANCES UNLESS OTHERWISE SPECIFIED:	PRODUCT SPEC: 108-32137
mm	0 PLC ±.05	1 PLC ±.05	APPLICATION SPEC: 114-32145
	2 PLC ±.05	3 PLC ±.05	WEIGHT: -
	4 PLC ±.05	ANGLES ±.05	FINISH: -
MATERIAL: -			CUSTOMER DRAWING
			SCALE: 8:1 SHEET 2 OF 2 REV A

X-ON Electronics

Largest Supplier of Electrical and Electronic Components

Click to view similar products for [RF Connector Accessories](#) category:

Click to view products by [TE Connectivity](#) manufacturer:

Other Similar products are found below :

[89674-0712](#) [F702RX24](#) [FERRULE-174](#) [R141802000](#) [R141805000](#) [R141842000](#) [R161862000](#) [R161862000W](#) [R280752000](#) [R280907000](#)
[R694261906](#) [RFI21-13](#) [RFI75-13-D2](#) [RFI75-4-D2](#) [AX102906](#) [AX102907](#) [18097-0013](#) [HP-375](#) [HP-500](#) [2098-0294-00](#) [2098-3251-94](#) [KA-](#)
[81-05](#) [89674-0805](#) [F1](#) [202102-11](#) [213337-1](#) [220222-2](#) [24092671A](#) [24092678A](#) [R280468000](#) [R280510000](#) [R282862060](#) [RFI155-1](#) [RFI25-](#)
[12-D3](#) [RFI25-5](#) [RFI25-5-D3](#) [RFI75-12-D2](#) [RFI75-2-D2](#) [RFI75-4-D3](#) [RFI77-6](#) [360HS001M2508M6](#) [4-1532137-4](#) [5-21085-0](#) [105274-1000](#)
[111062-0490](#) [112122-SOD-LUG](#) [112-NUT-KNURL](#) [IPP-2014](#) [R280490020](#) [24092090I](#)