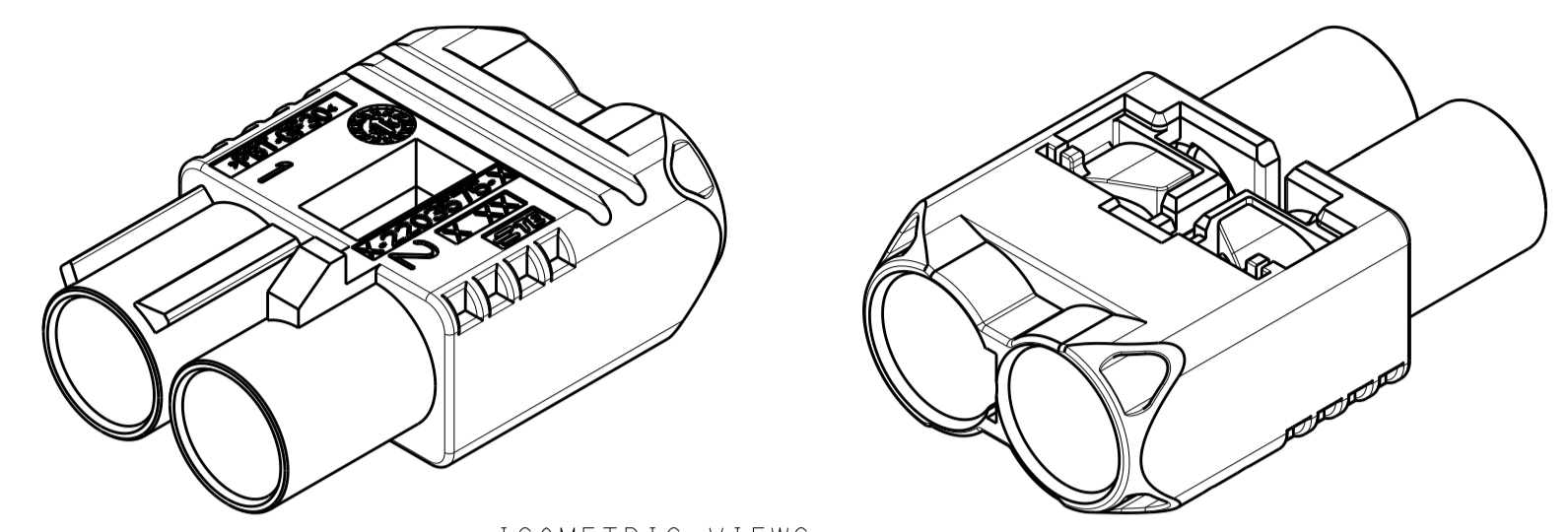
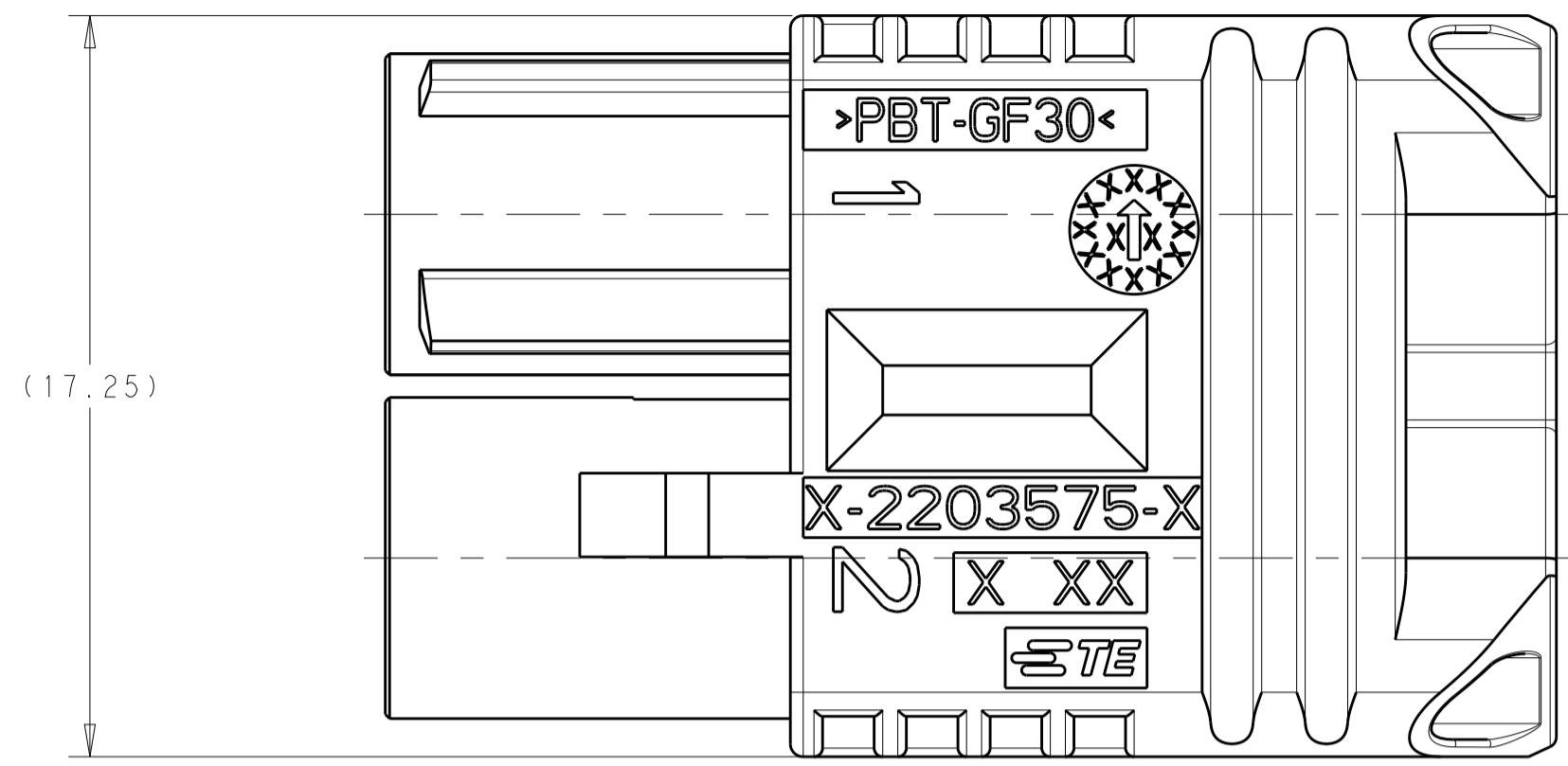
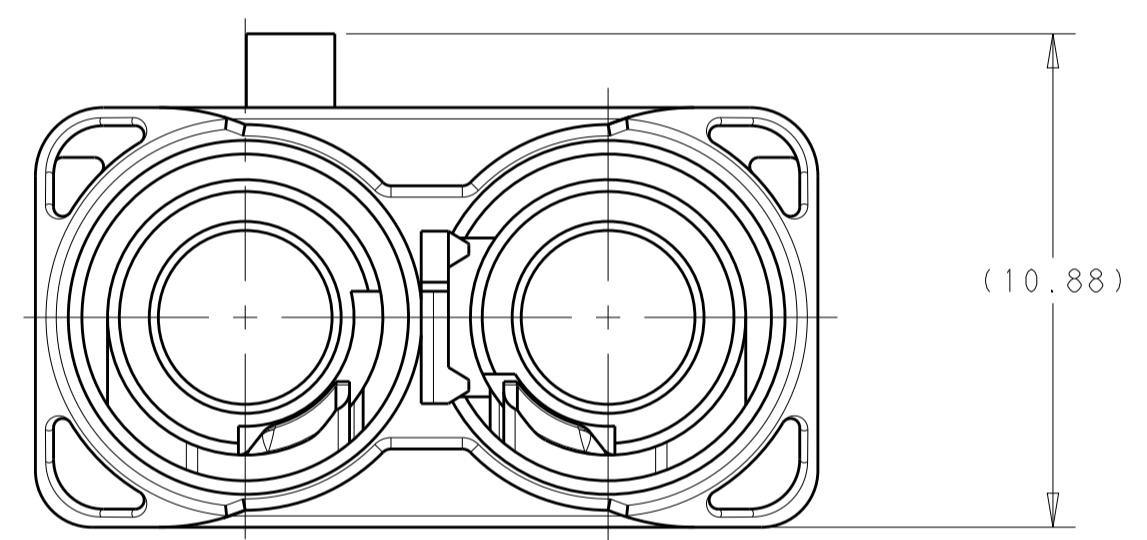
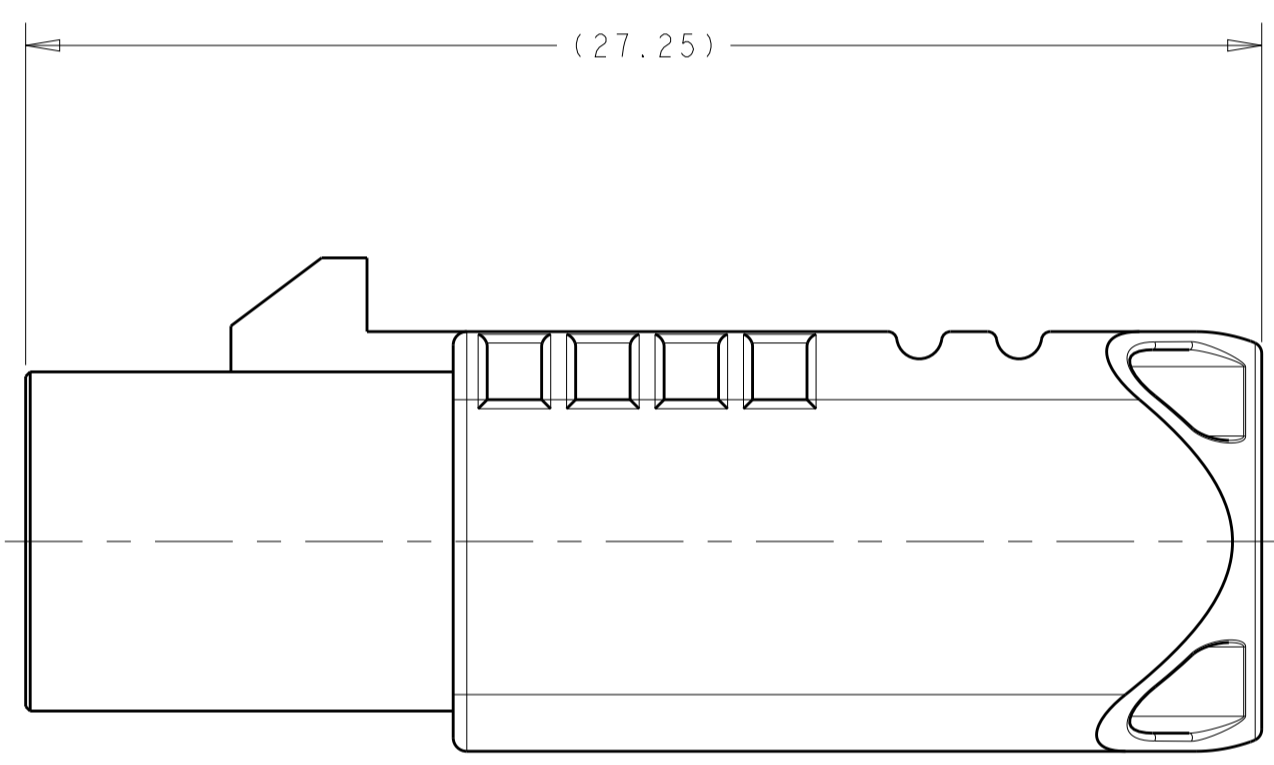
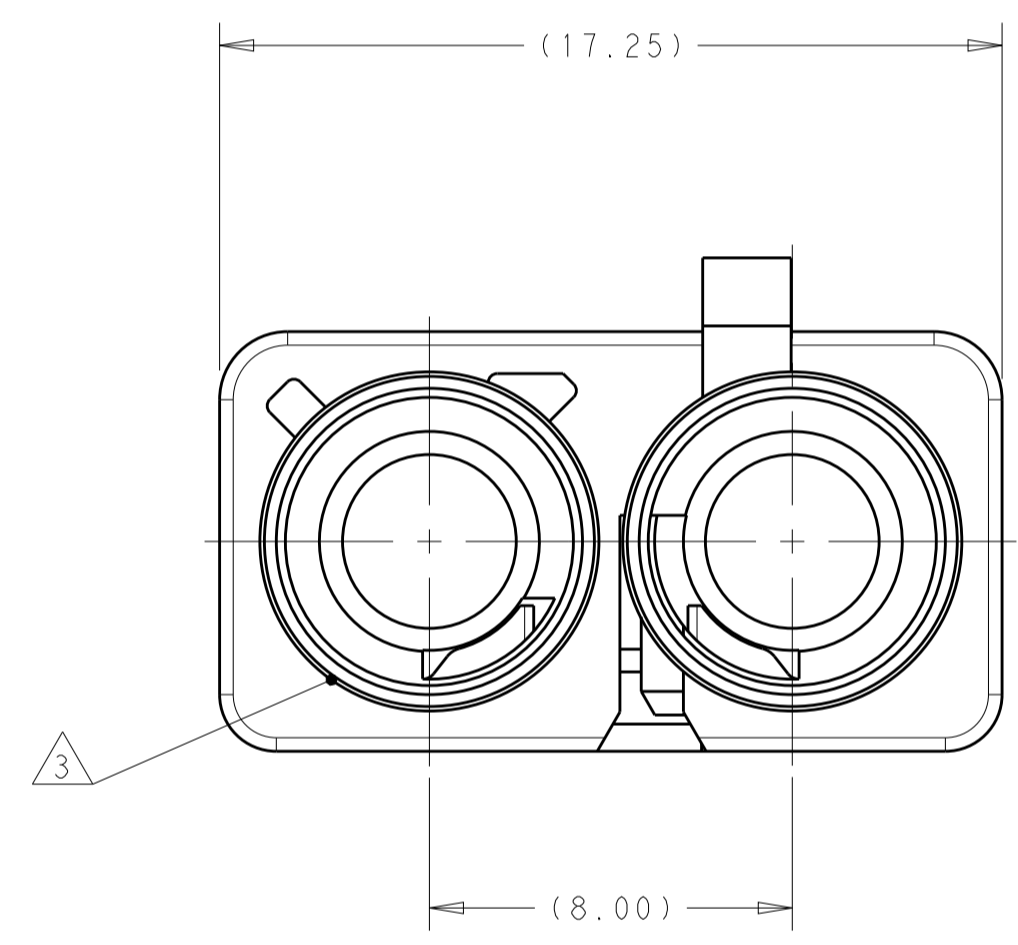


REVISIONS				
P.	LTN	DESCRIPTION	DATE	DWN APVD
1		INITIAL DRAWING.	26APR2017	JAB ERL



ISOMETRIC VIEWS
SCALE 3:1



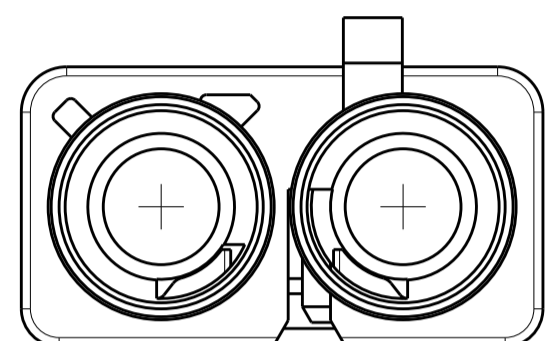
Z	PER DETAIL Z	WATER BLUE	2-2203575-0
N	PER DETAIL N	PASTEL GREEN	1-2203575-3
M	PER DETAIL M	PASTEL ORANGE	1-2203575-2
L	PER DETAIL L	CARMINE RED	1-2203575-1
K	PER DETAIL K	CURRY	1-2203575-0
I	PER DETAIL I	BEIGE	2203575-9
H	PER DETAIL H	HEATHER VIOLET	2203575-8
G	PER DETAIL G	BLUE GREY	2203575-7
F	PER DETAIL F	NUT BROWN	2203575-6
E	PER DETAIL E	LEAF GREEN	2203575-5
D	PER DETAIL D	CLARET VIOLET	2203575-4
C	PER DETAIL C	SIGNAL BLUE	2203575-3
B	PER DETAIL B	CREAM	2203575-2
A	PER DETAIL A	JET BLACK	2203575-1
KEY CODE	KEYING	CODING COLOR	PART NUMBER

- 1. 2203575-1 AS SHOWN.
- 2 MATERIAL, POLYESTER PBT, COLOR SEE TABLE.
- 3 MALE INTERFACE PER ISO-20860-1, ISO-20860-2, SAE/USCAR-17, SAE/USCAR-18.

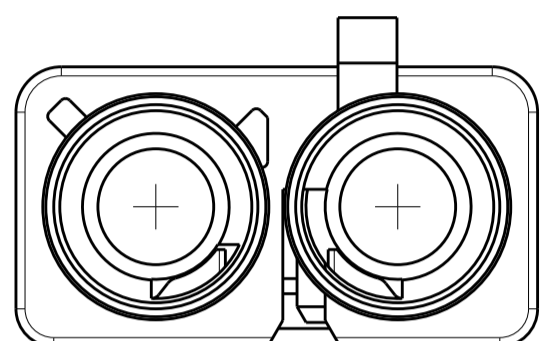
THIS DRAWING IS A CONTROLLED DOCUMENT.		DWN J.A.BAKER 26APR2017	TE Connectivity NAME MALE HOUSING, 2 POSITION, 8.0mm CENTERLINE, 180 DEGREE, FAKRA PRODUCT SPEC 108-32137 APPLICATION SPEC 114-32145 WEIGHT - CUSTOMER DRAWING
DIMENSIONS:		CHK E.R.LOVE 18JUL2017	
TOLERANCES UNLESS OTHERWISE SPECIFIED:		APVD E.R.LOVE 18JUL2017	
mm		SIZE CAGE CODE DRAWING NO. RESTRICTED TO	
0 PLC ±	1 PLC ±	A1 - C=2203575	SCALE 6:1 SHEET 1 OF 2 REV A
2 PLC ±	3 PLC ±		
4 PLC ±	ANGLES ±1°		
MATERIAL	FINISH		

THIS DRAWING IS UNPUBLISHED. RELEASED FOR PUBLICATION
 COPYRIGHT copyright_e81e- ALL RIGHTS RESERVED.

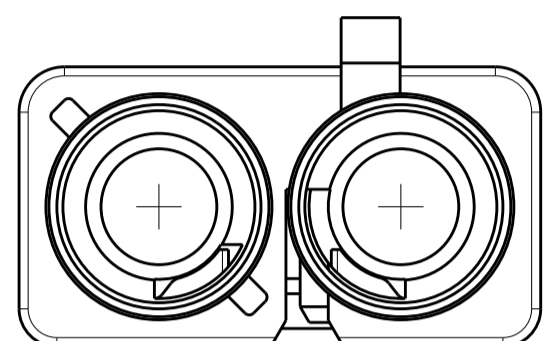
REVISIONS				
P.	LTN	DESCRIPTION	DATE	OWN APVD
-	-	SEE SHEET 1	-	-



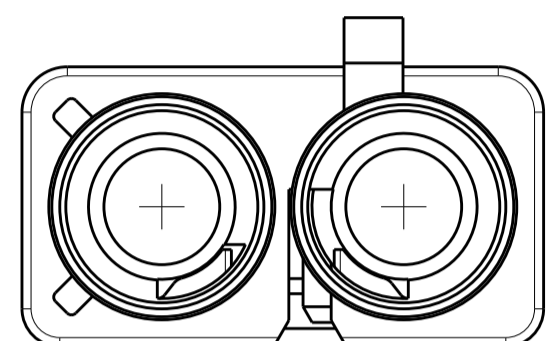
DETAIL A
SCALE 4:1



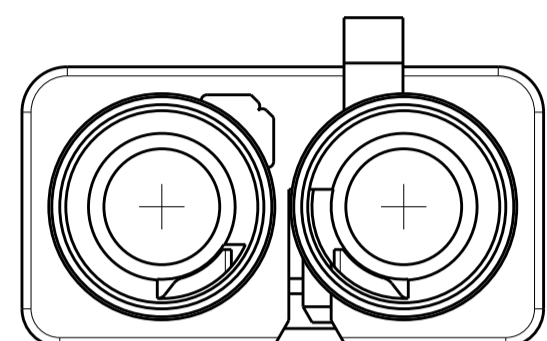
DETAIL B
SCALE 4:1



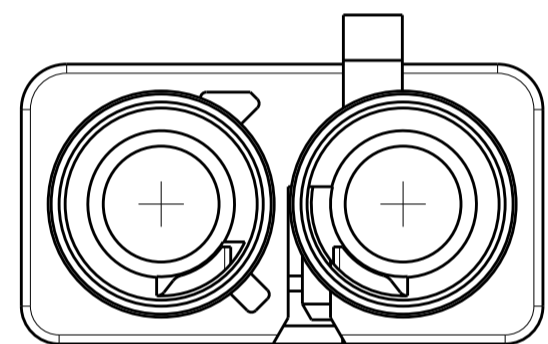
DETAIL C
SCALE 4:1



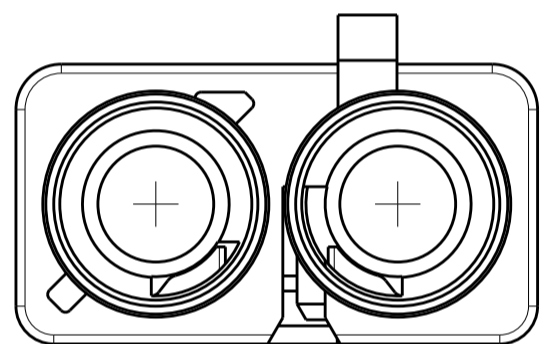
DETAIL D
SCALE 4:1



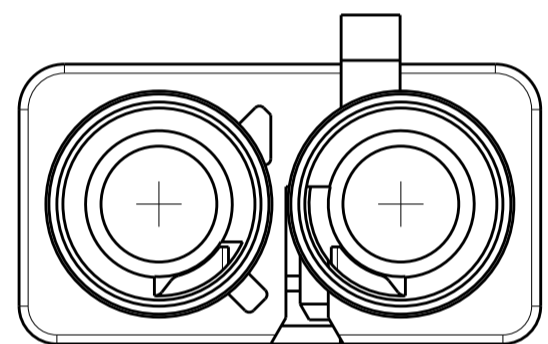
DETAIL E
SCALE 4:1



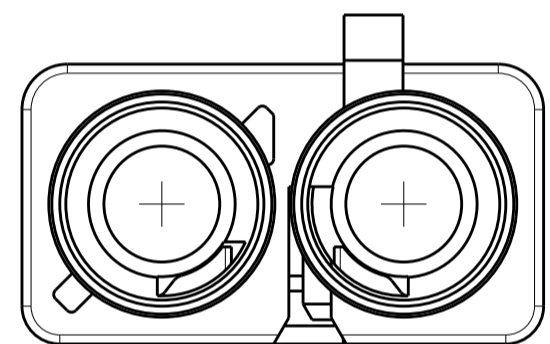
DETAIL F
SCALE 4:1



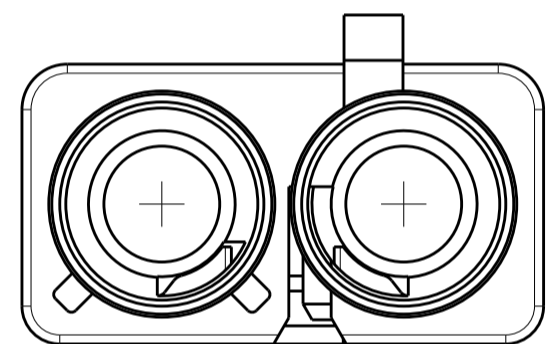
DETAIL G
SCALE 4:1



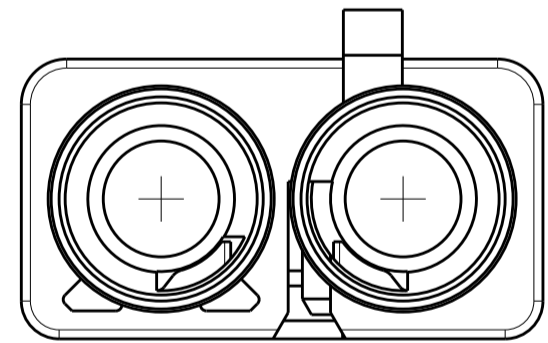
DETAIL H
SCALE 4:1



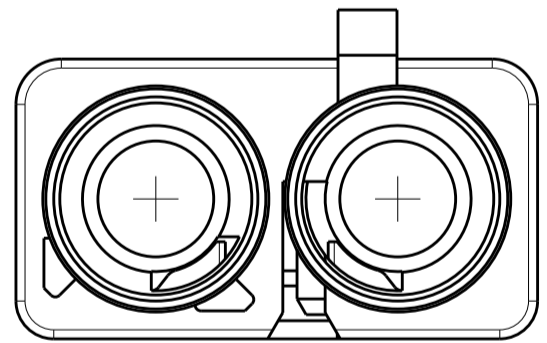
DETAIL I
SCALE 4:1



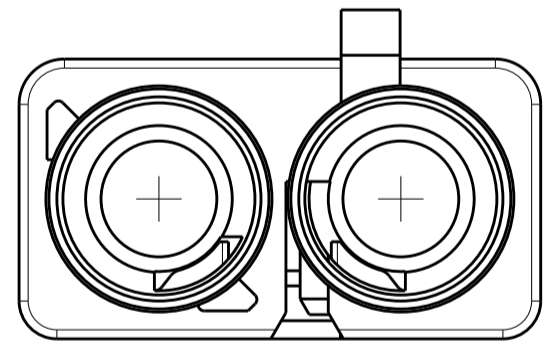
DETAIL K
SCALE 4:1



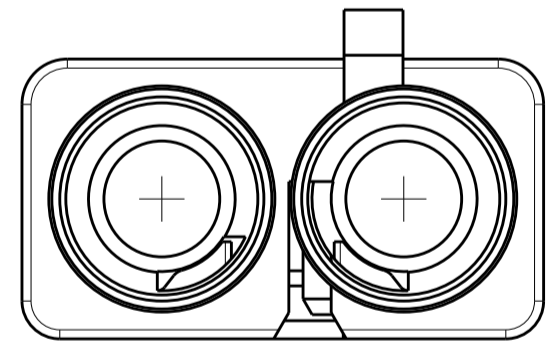
DETAIL L
SCALE 4:1



DETAIL M
SCALE 4:1



DETAIL N
SCALE 4:1



DETAIL Z
SCALE 4:1

THIS DRAWING IS A CONTROLLED DOCUMENT.		OWN: J.A. BAKER 26APR2017	
DIMENSIONS: mm		CHK: E.R. LOVE 18JUL2017	
TOLERANCES UNLESS OTHERWISE SPECIFIED:		APVD: E.R. LOVE 18JUL2017	
0 PLC ± 1 PLC ± 2 PLC ± 3 PLC ± 4 PLC ± ANGLES ±1° FINISH		NAME: MALE HOUSING, 2 POSITION, 8.0mm CENTERLINE, 180 DEGREE, FAKRA PRODUCT SPEC: 108-32137 APPLICATION SPEC: 114-32145 WEIGHT: - CUSTOMER DRAWING	
MATERIAL: -	FINISH: -	SIZE: A1	CAGE CODE: - DRAWING NO: C=2203575 RESTRICTED TO: - SCALE: 5:1 SHEET 2 OF 2 REV A

X-ON Electronics

Largest Supplier of Electrical and Electronic Components

Click to view similar products for [Headers & Wire Housings](#) category:

Click to view products by [TE Connectivity](#) manufacturer:

Other Similar products are found below :

[892-18-020-10-001101](#) [58102-G61-06LF](#) [582553-1](#) [0009485154](#) [009176003701906](#) [0050291907](#) [LY20-4P-DT1-P1E-BR](#) [02.125.8002.8](#)
[609-3404](#) [61062-3](#) [61082-181009](#) [622-3653LF](#) [63453-116](#) [636-1030](#) [636-1427](#) [636-3427](#) [636-4007](#) [641938-9](#) [641991-4](#) [644827-2](#) [65817-010LF](#) [65817-015LF](#) [65863-015LF](#) [66207-023LF](#) [67095-007LF](#) [67601157](#) [68645-018](#) [68648-049](#) [70.362.1628.0](#) [70-4210](#) [70-4226B](#) [70-4853B](#) [707-5020](#) [707-5028](#) [71.350.2428.0](#) [71918-208LF](#) [71961-016LF](#) [733-134](#) [733-162](#) [754199-000](#) [760-3052](#) [787-8014-00](#) [79531-3000](#)
[FCN-360C032-B](#) [FCN-367T-T012/H](#) [FCN-723D010/2](#) [80.063.4001.1](#) [800-90-001-10-001000](#) [800-90-010-10-002000](#) [801-43-002-10-013000](#)