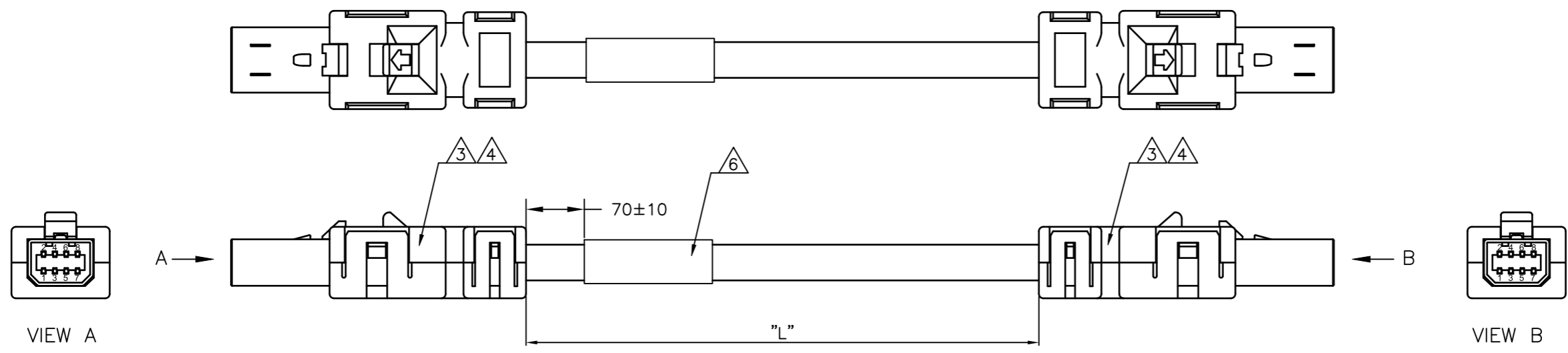


THIS DRAWING IS UNPUBLISHED. RELEASED FOR PUBLICATION  
 © COPYRIGHT - By - ALL RIGHTS RESERVED.

REVISIONS				
P	LTR	DESCRIPTION	DATE	APVD
A2		ECR-21-103323	18MAY2021	NT JDB
A1		ECR-17-001194	31JAN2017	RK PFR



NOTES:

- 1 PACKAGING: ACC. TO TE SPEC. 107-18064
- 2 ELECTRICAL TEST ACCORDING TE SPECIFICATION 108-18857.  
SHORT-CIRCUIT AND CONTINUITY TEST AT 500V DC, 0.1s
- 3 KEEP THE DIRECTION OF CONNECTOR TO THE CABLE ON BOTH SIDE THE SAME
- 4 WIRING SCHEMA ACC. TO TIA/EIA-568-B AS SHOWN IN WIRING SCHEDULE
- 5 PROP 65 WARNING LABEL: SEE SHEET 2
- 6 LABEL TEXT:  
TE CONNECTIVITY  
WW/YY/PRODUCTION LOCATION CODE

WIRING SCHEDULE 4

CAVITY SIDE A	COLOR	CAVITY SIDE B
1	WH/OG	1
2	OG	2
3	WH/GN	3
4	BU	4
5	WH/BU	5
6	GN	6
7	WH/BN	7
8	BN	8

5	10000 (±300)	HiFlex MultiPurpose 70°C PUR	2-2205132-6
	5000 (±150)	HiFlex MultiPurpose 70°C PUR	2-2205132-5
	3000 (±50)	HiFlex MultiPurpose 70°C PUR	2-2205132-4
	2000 (±25)	HiFlex MultiPurpose 70°C PUR	2-2205132-3
	1000 (±15)	HiFlex MultiPurpose 70°C PUR	2-2205132-2
	500 (±10)	HiFlex MultiPurpose 70°C PUR	2-2205132-1
OBSOLETE	10000 (±300)	HI 125°C TPE	<del>1-2205132-6</del>
	5000 (±150)	HI 125°C TPE	<del>1-2205132-5</del>
	3000 (±50)	HI 125°C TPE	<del>1-2205132-4</del>
	2000 (±25)	HI 125°C TPE	<del>1-2205132-3</del>
	1000 (±15)	HI 125°C TPE	<del>1-2205132-2</del>
	500 (±10)	HI 125°C TPE	<del>1-2205132-1</del>
	10000 (±300)	STD 110°C PVC	<del>2205132-6</del>
	5000 (±150)	STD 110°C PVC	<del>2205132-5</del>
	3000 (±50)	STD 110°C PVC	<del>2205132-4</del>
	2000 (±25)	STD 110°C PVC	<del>2205132-3</del>
1000 (±15)	STD 110°C PVC	<del>2205132-2</del>	
500 (±10)	STD 110°C PVC	<del>2205132-1</del>	
	Length "L"	Cable version	TE PN

THIS DRAWING IS A CONTROLLED DOCUMENT.		DWN 04FEB2015 SATHISH KUMAR .G			
DIMENSIONS: mm		CHK 04FEB2015 B.VELDHOVEN			
TOLERANCES UNLESS OTHERWISE SPECIFIED:		APVD 04FEB2015 A.VAN ZANDVOORT		NAME CA MINI IO MINI IO TYPE II	
0 PLC ± -		PRODUCT SPEC 108-78955		SIZE	
1 PLC ± -		APPLICATION SPEC 114-5506		CAGE CODE	
2 PLC ± -		WEIGHT		DRAWING NO	
3 PLC ± -		CUSTOMER DRAWING		RESTRICTED TO	
4 PLC ± -		SCALE NTS		SHEET 1 OF 2	
ANGLES ± 1°		REV A2			
MATERIAL		FINISH			

PRODUCT CHARACTERISTIC ACC. OMP EMEA\_12  
 BESONDERE MERKMALE NACH OMP EMEA\_12

4

3

2

1

THIS DRAWING IS UNPUBLISHED.

RELEASED FOR PUBLICATION

ALL RIGHTS RESERVED.

© COPYRIGHT - By -


REVISIONS

P	LTR	DESCRIPTION	DATE	DWN	APVD
-	-	SEE SHEET 1	-	-	-


NOTES: CONTINUATION FROM SHEET 1:

5 PROP 65 WARNING LABEL:

- THE WARNING LABEL ON THE PRODUCT OR LOWEST LEVEL PACKAGING
- CHEMICAL NAME: ANTIMONY TRIOXIDE



**WARNING:** This product can expose you to chemicals including ANTIMONY TRIOXIDE which is known to the state of California to cause cancer. For more information, visit [www.P65Warnings.ca.gov](http://www.P65Warnings.ca.gov).

THIS DRAWING IS A CONTROLLED DOCUMENT.		DWN 04FEB2015 SATHISH KUMAR .G	 TE Connectivity		
		CHK 04FEB2015 B.VELDHOVEN			
DIMENSIONS: mm		APVD 04FEB2015 A.VAN ZANDVOORT	NAME CA MINI IO MINI IO TYPE II		
TOLERANCES UNLESS OTHERWISE SPECIFIED: 0 PLC ± - 1 PLC ± - 2 PLC ± - 3 PLC ± - 4 PLC ± - ANGLES ± 1°		PRODUCT SPEC 108-78955			
MATERIAL -		APPLICATION SPEC 114-5506	SIZE A3	CAGE CODE 00779	DRAWING NO C=2205132
FINISH -		WEIGHT 0.000000	RESTRICTED TO -		
CUSTOMER DRAWING			SCALE NTS	SHEET 2 OF 2	REV A2

## X-ON Electronics

Largest Supplier of Electrical and Electronic Components

*Click to view similar products for [Ethernet Cables / Networking Cables](#) category:*

*Click to view products by [TE Connectivity](#) manufacturer:*

Other Similar products are found below :

[73-6670-7](#) [73-6680-15](#) [73-7797-25](#) [MCJB2-10P6Q7-120](#) [84909-0204](#) [1200700174](#) [1200860368](#) [E16A06002M030](#) [E200102-009-S1](#)  
[AX105346-EW](#) [MT14-187L](#) [17-103530](#) [ERWPAB3002M005](#) [190-038045-01](#) [NK5EPC18RDY](#) [NK5EPC18VLY](#) [NK5EPC18YLY](#)  
[NK5EPC1GRY](#) [NK5EPC4Y](#) [NK5EPC6YLY](#) [NK5EPC8BLY](#) [NK5EPC9YLY](#) [1969343-6](#) [C501100010](#) [C501106002](#) [C501106007](#)  
[C501106015](#) [C501106025](#) [C601102010](#) [C601104010](#) [C601106007](#) [C601106015](#) [2142758-2](#) [2168427-2](#) [CAT1106007](#) [21949-1](#) [2J1866A](#)  
[RJF SFTP 5E 0500](#) [AX100351](#) [MN14CEC/ST](#) [C501100015](#) [C501106004](#) [C501106010](#) [C5F1108007](#) [C601104004](#) [C601106004](#)  
[CA21106004](#) [CA21106010](#) [CA21106015](#) [CA21109007](#)