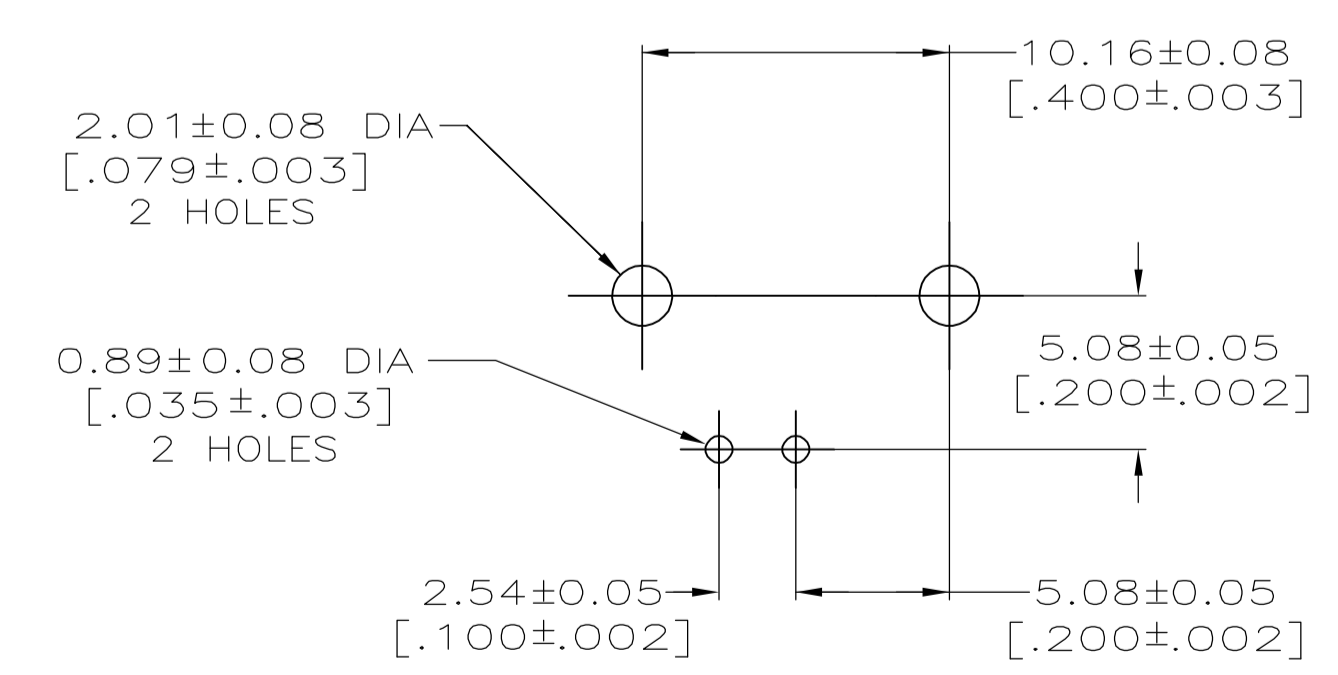
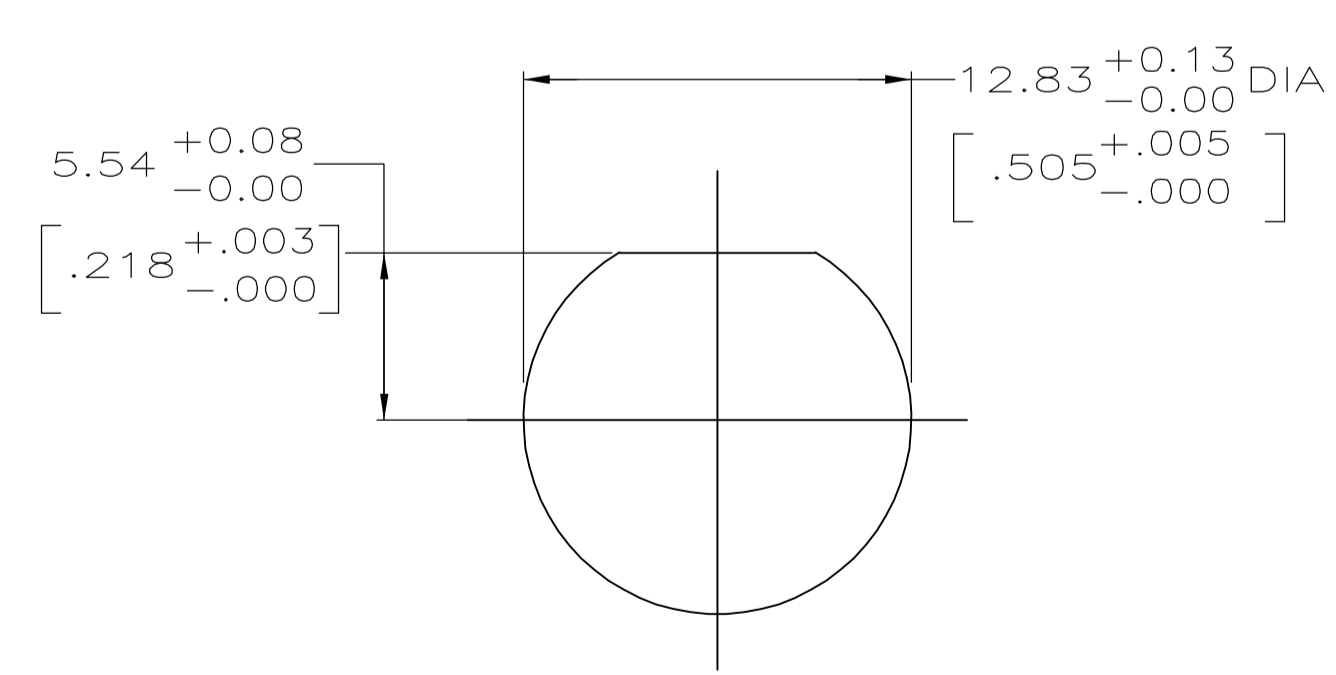
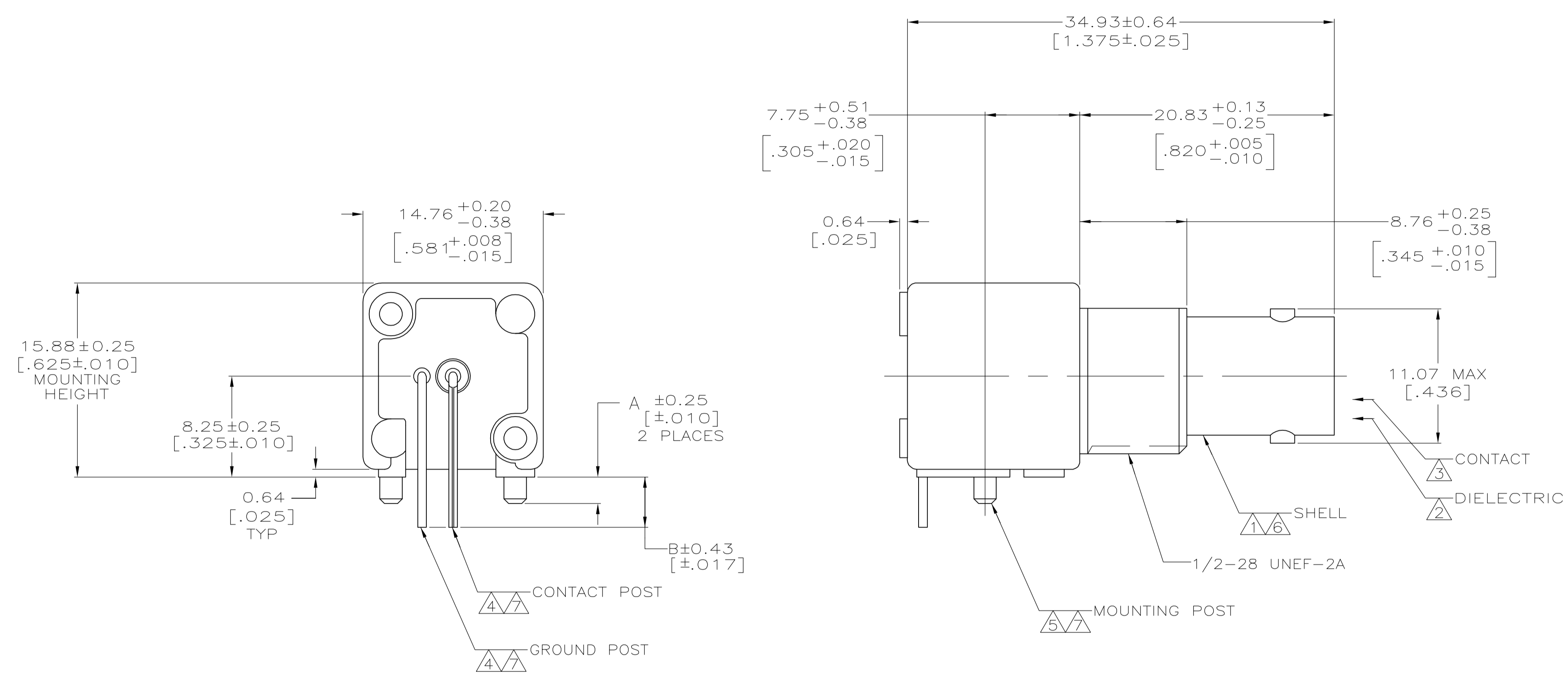


LOC	DIST	REVISIONS			
REV	DATE	DESCRIPTION	DATE	BY	APPROV
AJ	16	K	REVISED PER EC 0514-0456-04	13DEC05	BL JL

- 1 ZINC PER QQ-Z-363.
  - 2 POLYMETHYLPENTENE, GENERAL PURPOSE.
  - 3 BERYLLIUM COPPER PER QQ-C-530.
  - 4 BRASS PER ASTM-B-453.
  - 5 BRASS PER ASTM-B-16.
  - 6 NICKEL PLATE PER QQ-N-290, 3.81 μm [.000150] MINIMUM THICK.
  - 7 TIN PLATE PER ASTM-B-545, 3.81 μm [.000150] MINIMUM THICK.
  - 8 GOLD PLATE PER MIL-G-45204, 0.76 μm [.000030] MINIMUM THICK.
  - 9 SILVER PLATE PER QQ-S-365, 2.54 μm [.000100] MINIMUM THICK.
  - 10 GOLD PLATE PER MIL-G-45204, 1.27 μm [.000050] MINIMUM THICK.
11. SEE INSTRUCTION SHEET 2769.



OBSOLETE	4.11 [.162]	2.16 [.085]		222092-5
OBSOLETE	2.92 [.115]	2.16 [.085]		222092-4
	4.11 [.162]	3.48 [.137]		222092-3
OBSOLETE	4.11 [.162]	2.16 [.085]		222092-2
	4.11 [.162]	2.16 [.085]		222092-1

DIMENSIONS:		TOLERANCES UNLESS OTHERWISE SPECIFIED:		APPROVED		DATE		NAME		PRODUCT SPEC		APPLICATION SPEC		SIZE		CAGE CODE		DRAWING NO		RESTRICTED TO	
INCHES		0 PLC ± -		J. LIPPERT		3-4-92		Tyco Electronics Corporation		Tyco Electronics Corporation		Tyco Electronics Corporation		A1		00779		222092		-	
		1 PLC ± -		GABANY		3-13-92		Harrisburg, PA 17105-3608		JACK, RIGHT ANGLE, PCB		75 OHM, SERIES BNC									
		2 PLC ± -		GABANY		3-13-92															
		3 PLC ± -																			
		4 PLC ± -																			
		ANGLES ± -																			
MATERIAL SEE NOTES 1-5		FINISH SEE NOTES 6-10		WEIGHT		-		SCALE		1:1		SHEET		1 OF 1		REV		K			

## X-ON Electronics

Largest Supplier of Electrical and Electronic Components

*Click to view similar products for [RF Connectors / Coaxial Connectors](#) category:*

*Click to view products by [TE Connectivity](#) manufacturer:*

Other Similar products are found below :

[8915-1511-000](#) [89674-0827](#) [6001-7071-019](#) [6002-7051-003](#) [6002-7551-202](#) [6059674-1](#) [619550-1](#) [630059-000](#) [M39030/3-01N](#) [6500-7071-046](#) [6769](#) [CX050L2AQ](#) [7002-1541-010](#) [7002-1542-011](#) [7004-1512-000](#) [7009-1511-004](#) [7010-1511-000](#) [7029-1511-060](#) [7101-1541-010](#) [7101-1571-002](#) [7105-1521-002](#) [7145-1521-002](#) [7203-1571-003](#) [7209-1511-011](#) [7210-1511-015](#) [7210-1511-019](#) [73137-5015](#) [73216-2241](#) [73404-2300](#) [7405-1521-005](#) [7405-1521-802](#) [8527](#) [8547](#) [FS11V](#) [877931](#) [8808-1511-001](#) [9074-9513-000](#) [9101-9573-002](#) [910A205F](#) [9130-9573-002](#) [PL11SC-026](#) [PL375-33](#) [PL40-5](#) [PL74C-221](#) [PL75MC-217](#) [PL803-7](#) [1200690078](#) [1-201144-1](#) [R107003010W](#) [R110A172100](#)