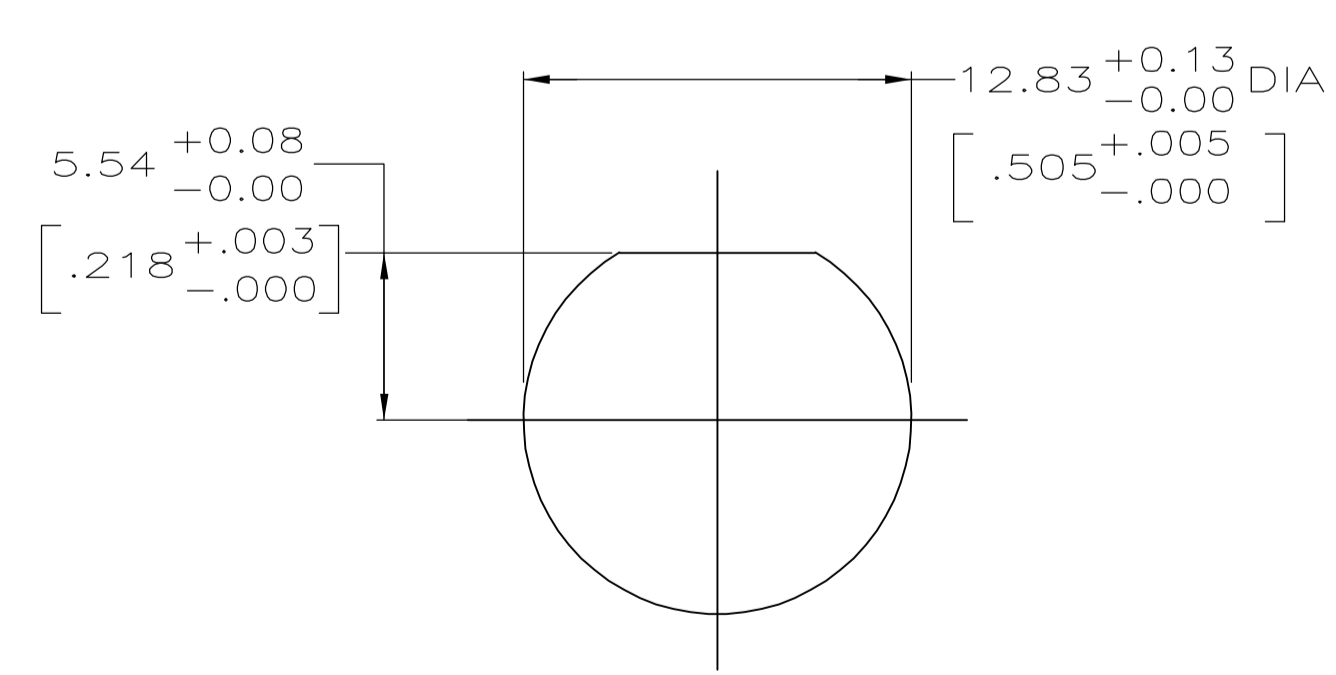
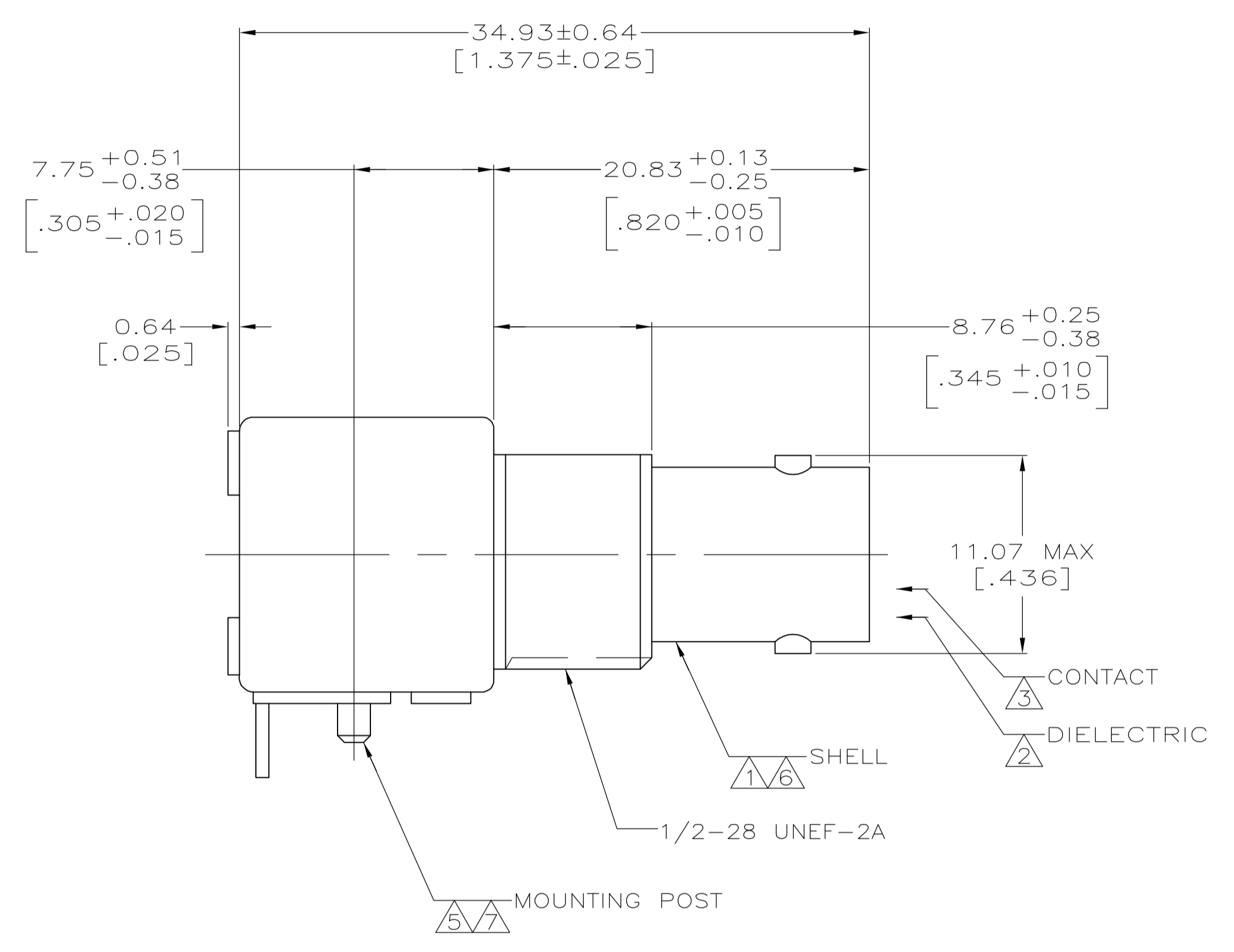
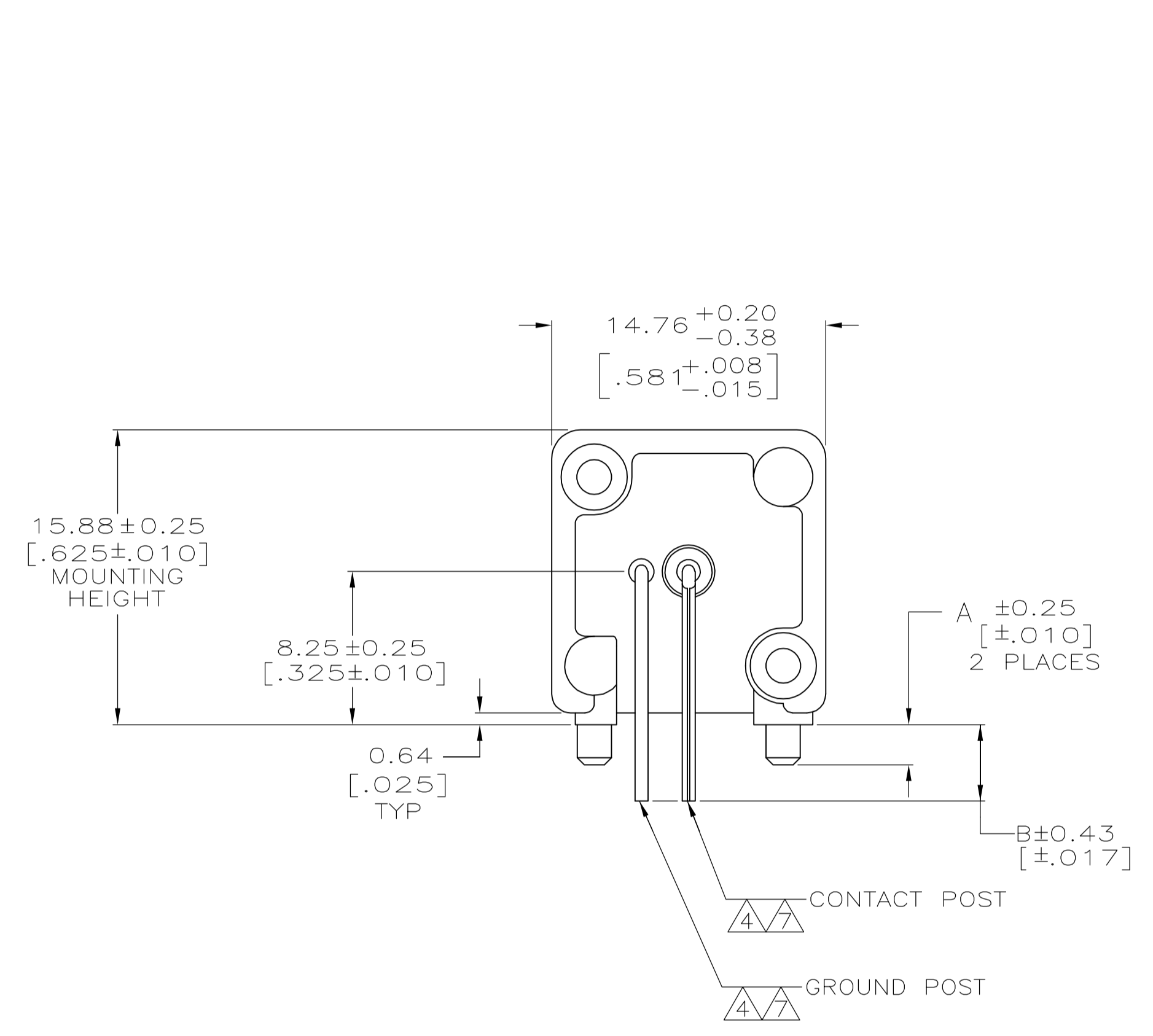
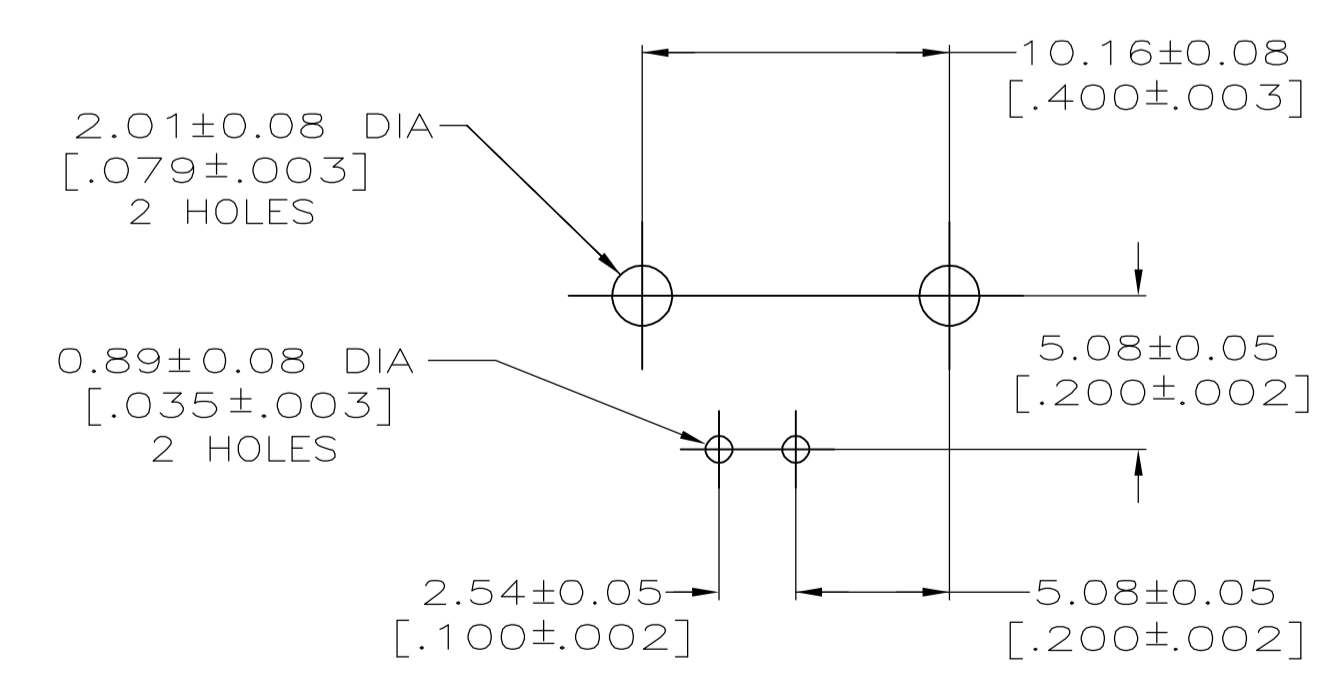


- ① ZINC PER QQ-Z-363.
 - ② POLYMETHYLPENTENE, GENERAL PURPOSE.
 - ③ BERYLLIUM COPPER PER QQ-C-530.
 - ④ BRASS PER ASTM-B-453.
 - ⑤ BRASS PER ASTM-B-16.
 - ⑥ NICKEL PLATE PER QQ-N-290, 3.81 μm [.000150] MINIMUM THICK.
 - ⑦ TIN PLATE PER ASTM-B-545, 3.81 μm [.000150] MINIMUM THICK.
 - ⑧ GOLD PLATE PER MIL-G-45204, 0.76 μm [.000030] MINIMUM THICK.
 - ⑨ SILVER PLATE PER QQ-S-365, 2.54 μm [.000100] MINIMUM THICK.
 - ⑩ GOLD PLATE PER MIL-G-45204, 1.27 μm [.000050] MINIMUM THICK.
11. SEE INSTRUCTION SHEET 2769.



RECOMMENDED PANEL CUTOUT



PCB CONFIGURATION

OBSOLETE	4.11	[.162]	2.16	[.085]	③	222092-5
OBSOLETE	2.92	[.115]	2.16	[.085]	③	222092-4
	4.11	[.162]	3.48	[.137]	③	222092-3
OBSOLETE	4.11	[.162]	2.16	[.085]	③	222092-2
	4.11	[.162]	2.16	[.085]	③	222092-1

THIS DRAWING IS A CONTROLLED DOCUMENT.		DIN J. LIPPERT 3-4-92		Tyco Electronics Corporation Harrisburg, PA 17105-3608	
DIMENSIONS: INCHES		CIK A. GABANY 3-13-92		APVO A. GABANY 3-13-92	NAME
TOLERANCES UNLESS OTHERWISE SPECIFIED:		0 PLC ± -	1 PLC ± -	2 PLC ± 0.20 [.008]	3 PLC ± -
MATERIAL SEE NOTES 1-5		FINISH SEE NOTES 6-10	WEIGHT -	SIZE A1	CAGE CODE 00779
				DRAWING NO. 222092	RESTRICTED TO
				CUSTOMER DRAWING	SCALE 1:1 SHEET 1 OF 1 REV K

X-ON Electronics

Largest Supplier of Electrical and Electronic Components

Click to view similar products for [RF Connectors / Coaxial Connectors](#) category:

Click to view products by [TE Connectivity](#) manufacturer:

Other Similar products are found below :

[R125315120](#) [8915-1511-000](#) [89674-0827](#) [5916-1103-603](#) [6-0001-3](#) [6001-7071-019](#) [6002-7051-003](#) [6002-7551-202](#) [6059674-1](#) [619550-1](#)
[630059-000](#) [M39012/25-0021](#) [M39012/79-3008](#) [M39030/3-01N](#) [M39030/3-03N](#) [M3933/25-36N](#) [6500-7071-046](#) [M83723/72W24576](#)
[M83723/72W2457N](#) [6769](#) [CX050L2AQ](#) [7002-1541-010](#) [7002-1572-002](#) [7003-1572-002](#) [7010-1511-000](#) [7029-1511-060](#) [7101-1541-010](#)
[7101-1571-002](#) [7105-1521-002](#) [7145-1521-002](#) [7209-1511-011](#) [7210-1511-015](#) [7210-1511-019](#) [7225-1512-050](#) [7242-1511-000](#) [73137-5015](#)
[73251-0111](#) [73251-0672](#) [7325-1512-000](#) [73276-1501](#) [73366-0013](#) [73404-2300](#) [73413-6080](#) [73415-5721](#) [7405-1521-005](#) [7405-1521-802](#)
[7406-1521-005](#) [804S01D04M040](#) [8145-1521-002](#) [81590](#)