

REVISIONS					
P	LTR	DESCRIPTION	DATE	OWN	APVD
AD3	REVISED PER	ECR-16-017378	22DEC2016	LN	RS

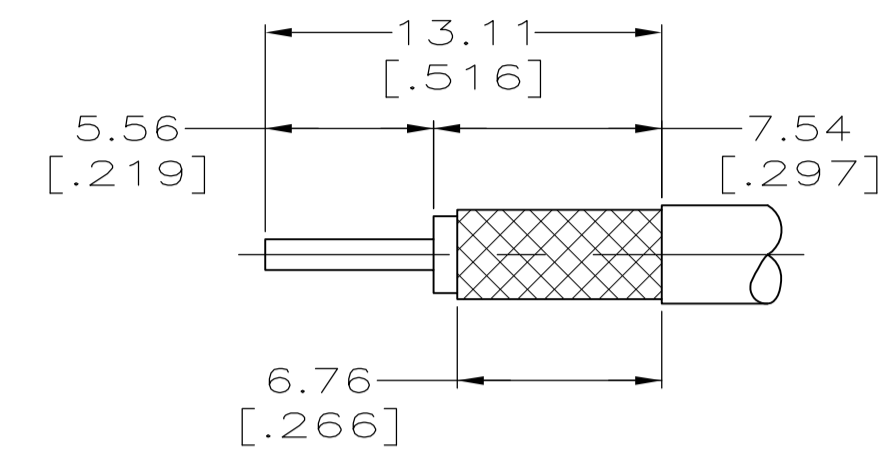
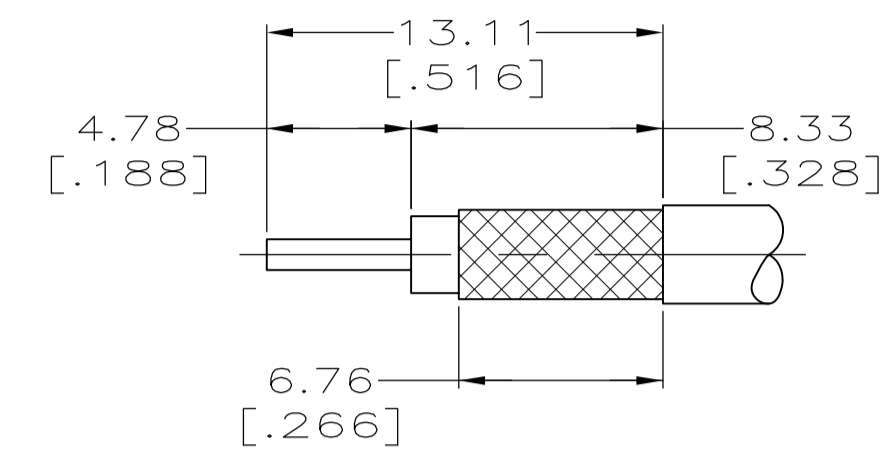
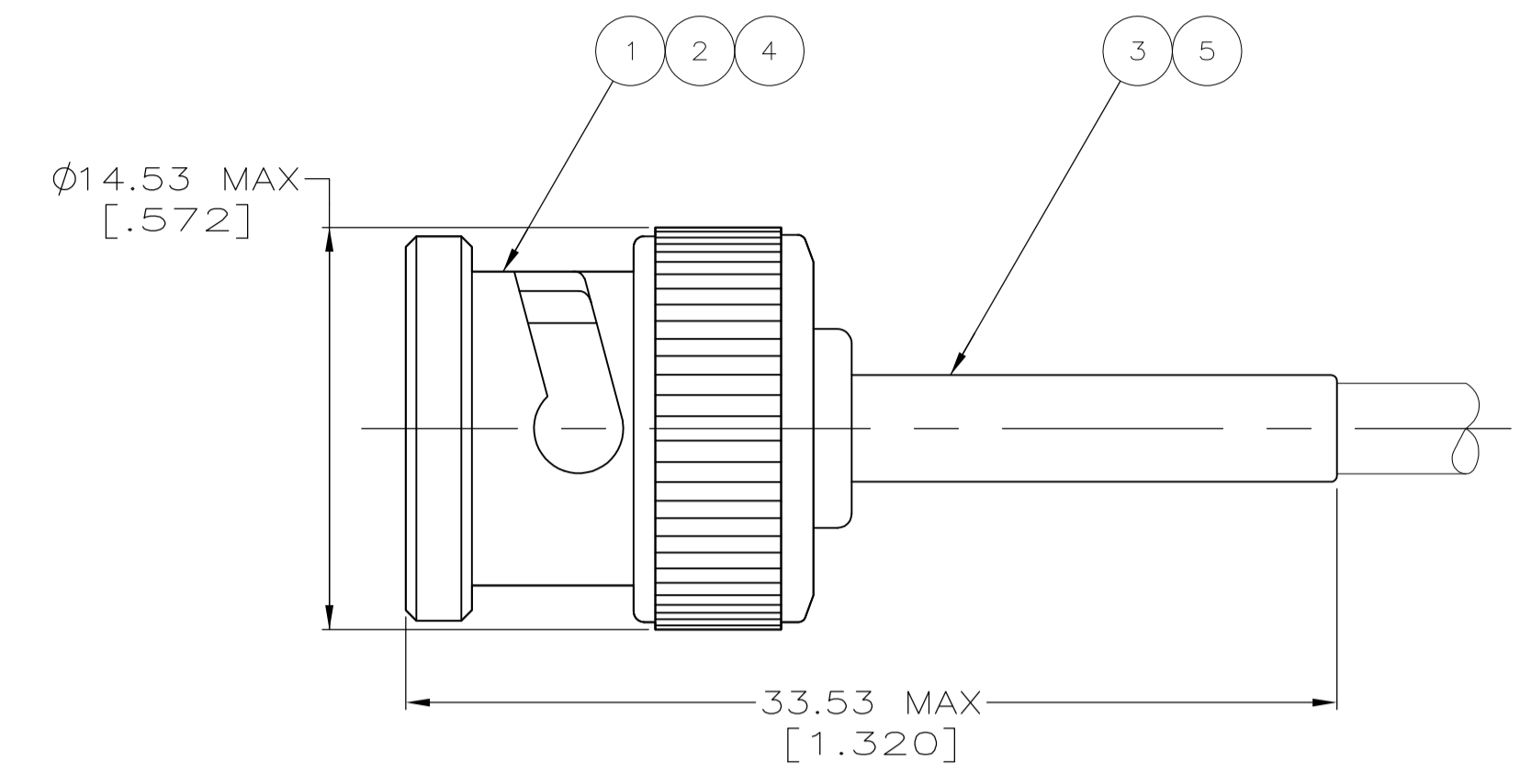


FIGURE 1  
FIGURE 2  
RECOMMENDED STRIP LENGTH

- ① CABLE USED WITHOUT SPACER
- ② CABLE USED WITH SPACER
- ③. SEE I.S. 9021
- ④. PARTS PACKAGED UNASSEMBLED
- ⑤ USE AMP HAND TOOL: 220190-1
- ⑥ SPECIAL PACKAGING: INDIVIDUALLY PACKAGED IN PRE-PRINTED BAG WITH SPECIAL GRAPHICS
- ⑦ CONNECTOR INDIVIDUALLY PACKAGED
- ⑧ BULK PACKAGE
- ⑨ RG-188/U, 316/U TYPE DOUBLE BRAID AND JIS CABLES 1.5D-2V, 1.5D-XV & 1.5D-XVS
- ⑩ SPECIAL PACKAGING: BULK PACKAGE 25 PIECES

OBSOLETE	△	RG-59/U, 59A/U, 59B/U	6.48 [.255]	1.73 [.068]	58465-1	FIG 1	-	227423-1	9-221132-1	222246-6	413636-2	9-221128-9
OBSOLETE	△	BELDEN 9907, 89907 & RG-141/U	5.41 [.213]	1.73 [.068]	58465-1	FIG 1	-	-	9-221132-0	1-222246-6	413636-1	9-221128-8
OBSOLETE	△	RG-180/U, 195/U	4.52 [.178]	1.73 [.068]	58465-3	FIG 1	-	-	9-413658-1	1-222246-3	413636-3	9-221128-7
	△	RG-179/U, 187/U	4.52 [.178]	1.73 [.068]	58465-3	FIG 1	227194-1	-	9-413658-0	1-222246-3	413636-3	9-221128-6
	△	RG-174/U, 188/U, 316/U	4.52 [.178]	1.73 [.068]	58465-3	FIG 1	227194-1	-	9-413658-0	1-222246-0	413636-3	9-221128-5
OBSOLETE	△	RG-58/U, 58A/U, 58B/U, 58C/U	5.41 [.213]	1.73 [.068]	58465-1	FIG 1	-	-	9-221132-0	222246-5	413636-1	9-221128-4
OBSOLETE	△	BELDEN 8281	8.23 [.324]	1.73 [.068]	58465-2	FIG 1	-	-	9-221132-2	222246-2	413636-4	9-221128-3
OBSOLETE	△	RG-62/U, 62A/U, 62B/U	6.48 [.255]	1.73 [.068]	58465-1	FIG 2	-	-	-	-	-	-
OBSOLETE	△	RG-59/U, 59A/U, 59B/U	6.48 [.255]	1.73 [.068]	58465-1	FIG 1	-	227423-1	9-221132-1	222246-4	413636-2	9-221128-2
OBSOLETE	△	RG-58/U, 58A/U, 58B/U, 58C/U	5.41 [.213]	1.73 [.068]	58465-1	FIG 1	-	-	9-221132-0	222246-2	413636-1	9-221128-1
OBSOLETE	△	RG-58/U, 58A/U, 58B/U, 58C/U	5.41 [.213]	1.73 [.068]	58465-1	FIG 1	-	-	9-221132-0	222246-2	413636-1	9-221128-0
OBSOLETE	△	BELDEN 1167A	4.52 [.178]	1.73 [.068]	58465-3	FIG 1	-	-	9-413658-1	1-222246-0	413636-3	3-221128-4
OBSOLETE	△	JIS CABLE 3D-2V	4.52 [.178]	1.73 [.068]	58465-3	FIG 1	227194-1	-	9-413658-2	1-222246-0	413636-3	3-221128-2
	△	RG-180/U, 195/U	5.41 [.213]	1.73 [.068]	58465-1	FIG 1	-	-	8-221132-9	1-222246-6	413636-6	3-221128-1
SUPERSEDED BY 2-221128-5	△	RG-180/U, 195/U	4.52 [.178]	1.73 [.068]	58465-3	FIG 1	-	-	9-413658-1	1-222246-3	413636-3	3-221128-0
OBSOLETE	-	△	4.52 [.178]	1.73 [.068]	58465-3	FIG 1	227194-1	-	9-413658-2	1-222246-0	413636-3	2-221128-9
	△	BELDEN 9907, 89907 & RG-141/U	5.41 [.213]	1.73 [.068]	58465-1	FIG 1	-	-	9-221132-0	1-222246-6	413636-1	2-221128-7
OBSOLETE	△	RG-180/U, 195/U	4.52 [.178]	1.73 [.068]	58465-3	FIG 1	-	-	9-413658-1	1-222246-3	413636-3	2-221128-5
	△	RG-179/U, 187/U	4.52 [.178]	1.73 [.068]	58465-3	FIG 1	227194-1	-	9-413658-0	1-222246-3	413636-3	2-221128-3
SUPERSEDED BY 2-5221128-1	△	RG-174/U, 188/U, 316/U	4.52 [.178]	1.73 [.068]	58465-3	FIG 1	227194-1	-	9-413658-0	1-222246-0	413636-3	2-221128-1
OBSOLETE	△	RG-58/U, 58A/U, 58B/U, 58C/U	5.41 [.213]	1.73 [.068]	58465-1	FIG 1	-	-	9-221132-0	222246-5	413636-1	2-221128-0
SUPERSEDED BY 1-221128-2	△	BELDEN 8281	8.23 [.324]	1.73 [.068]	58465-2	FIG 1	-	-	9-221132-2	222246-5	413636-4	1-221128-9
	△	RG-59/U, 59A/U, 59B/U	6.48 [.255]	1.73 [.068]	58465-1	FIG 1	-	227423-1	9-221132-1	222246-6	413636-2	1-221128-8
	△	BELDEN 9266	6.48 [.255]	1.73 [.068]	58465-1	FIG 1	-	-	9-221132-1	222246-2	413636-2	1-221128-7
OBSOLETE	-	BELDEN 9209	6.48 [.255]	1.73 [.068]	58465-1	FIG 1	-	-	9-221132-1	222246-6	413636-5	1-221128-6
SUPERSEDED BY 1-221128-2	△	BELDEN 8281	8.23 [.324]	1.73 [.068]	58465-2	FIG 1	-	-	9-221132-2	222246-5	413636-4	1-221128-5
	△	RG-62/U, 62A/U, 62B/U	6.48 [.255]	1.73 [.068]	58465-1	FIG 2	-	-	-	-	-	-
OBSOLETE	△	RG-59/U, 59A/U, 59B/U	6.48 [.255]	1.73 [.068]	58465-1	FIG 1	-	227423-1	9-221132-1	222246-6	413636-2	1-221128-4
OBSOLETE	△	RG-58/U, 58A/U, 58B/U, 58C/U	5.41 [.213]	1.73 [.068]	58465-1	FIG 1	-	-	9-221132-0	222246-5	413636-1	1-221128-3
OBSOLETE	△	BELDEN 8281	8.23 [.324]	1.73 [.068]	58465-2	FIG 1	-	-	9-221132-2	222246-2	413636-4	1-221128-2
	△	RG-62/U, 62A/U, 62B/U	6.48 [.255]	1.73 [.068]	58465-1	FIG 2	-	-	-	-	-	-
	△	RG-59/U, 59A/U, 59B/U	6.48 [.255]	1.73 [.068]	58465-1	FIG 1	-	227423-1	9-221132-1	222246-4	413636-2	1-221128-1
	△	RG-58/U, 58A/U, 58B/U, 58C/U	5.41 [.213]	1.73 [.068]	58465-1	FIG 1	-	-	9-221132-0	222246-2	413636-1	1-221128-0
OBSOLETE	-	BELDEN 8281	8.23 [.324]	1.73 [.068]	58465-2	FIG 1	-	-	9-221132-2	222246-7	413636-4	221128-9
OBSOLETE	△	RG-62/U, 62A/U, 62B/U	6.48 [.255]	1.73 [.068]	58465-1	FIG 2	-	-	-	-	-	-
OBSOLETE	△	RG-59/U, 59A/U, 59B/U	6.48 [.255]	1.73 [.068]	58465-1	FIG 1	-	227423-1	9-221132-1	222246-8	413636-2	221128-8
OBSOLETE	-	RG-58/U, 58A/U, 58B/U, 58C/U	5.41 [.213]	1.73 [.068]	58465-1	FIG 1	-	-	9-221132-0	222246-7	413636-1	221128-7
SUPERSEDED BY 221128-3	-	BELDEN 8281	8.23 [.324]	1.73 [.068]	58465-2	FIG 1	-	-	9-221132-2	222246-5	413636-4	221128-6
SUPERSEDED BY 221128-2	△	RG-62/U, 62A/U, 62B/U	6.48 [.255]	1.73 [.068]	58465-1	FIG 2	-	-	-	-	-	-
	△	RG-59/U, 59A/U, 59B/U	6.48 [.255]	1.73 [.068]	58465-1	FIG 1	-	227423-1	9-221132-1	222246-6	413636-2	221128-5
SUPERSEDED BY 221128-1	-	RG-58/U, 58A/U, 58B/U, 58C/U	5.41 [.213]	1.73 [.068]	58465-1	FIG 1	-	-	9-221132-0	222246-5	413636-1	221128-4
OBSOLETE	-	BELDEN 8281	8.23 [.324]	1.73 [.068]	58465-2	FIG 1	-	-	9-221132-2	222246-2	413636-4	221128-3
	△	RG-62/U, 62A/U, 62B/U	6.48 [.255]	1.73 [.068]	58465-1	FIG 2	-	-	-	-	-	-
	△	RG-59/U, 59A/U, 59B/U	6.48 [.255]	1.73 [.068]	58465-1	FIG 1	-	227423-1	9-221132-1	222246-4	413636-2	221128-2
	-	RG-58/U, 58A/U, 58B/U, 58C/U	5.41 [.213]	1.73 [.068]	58465-1	FIG 1	-	-	9-221132-0	222246-2	413636-1	221128-1

REMARKS	FOR USE WITH CABLE	FERRULE	CONTACT	DIE SET	STRIP LENGTH	TUBING QTY=1	SPACER QTY=1	FERRULE QTY=1	CONTACT, PLUG QTY=1	PLUG ASSEMBLY QTY=1	PART NUMBER
		HEX CRIMP HEIGHTS		⑤	⑤		④	③	②	①	

THIS DRAWING IS A CONTROLLED DOCUMENT.

APPROVED BY: M. E. COWHER (11-18-92)

DATE: 1-29-93

DESIGNED BY: M. PHILLIPS (1-29-93)

PRODUCT SPEC: PLUG, COMMERCIAL BNC

SIZE: A1

SCALE: 4:1

SHEET: 1 OF 1

REV: AD3

STE TE Connectivity

PLUG, COMMERCIAL BNC

WEIGHT: 0.000000

CUSTOMER DRAWING

## X-ON Electronics

Largest Supplier of Electrical and Electronic Components

*Click to view similar products for [TE Connectivity](#) manufacturer:*

Other Similar products are found below :

[D38999/24FJ4AN](#) [570416-000](#) [CLTEQ-M81CE-SSRELAY-4-20V](#) [4-1195131-0](#) [650069-000](#) [SMD100-2](#) [358838-000](#) [CB-1022B-78](#)  
[RM707012](#) [RP410012](#) [MMS42](#) [1-640426-8](#) [2EDL4CM](#) [DTS20W19-11PD-3028-LC](#) [RM202615](#) [NC6-P104-06](#) [MSPS103B](#) [DTS26F21-](#)  
[41HE-LC](#) [DTS26F21-41AE](#) [DTS26F21-41PE-LC](#) [DTS26F21-11SE-3028-LC](#) [30DCB6](#) [1932144-1](#) [293545-4](#) [LVR125S](#) [MS27466T25F4PB](#)  
[CKB-38-78010](#) [TR04AI-TINELLOCKRING](#) [1206SFF150F/63-2](#) [D38999/20JB35HA](#) [TE1500A2R2J](#) [D38999/20WC8BB](#) [DTS24F19-11SC-](#)  
[3028-LC](#) [D38999/24WG11HA](#) [D38999/24WG11HN](#) [MS27467T21F11H](#) [DJT16E21-11HA](#) [MS27467T21F35J](#) [MS27467T21F11J](#)  
[MS27467T21F16H-LC](#) [MS27467T21F35H](#) [MS27467T21F41H-LC](#) [1206SFH150F/24-2](#) [RP330024](#) [DJT16E21-11PA-LC](#) [DJT16E21-11HA-](#)  
[LC](#) [DJT16E21-11AA](#) [MS27467T21B11JA](#) [DJT16E21-11JA](#) [MS27467T21B11JA-LC](#)