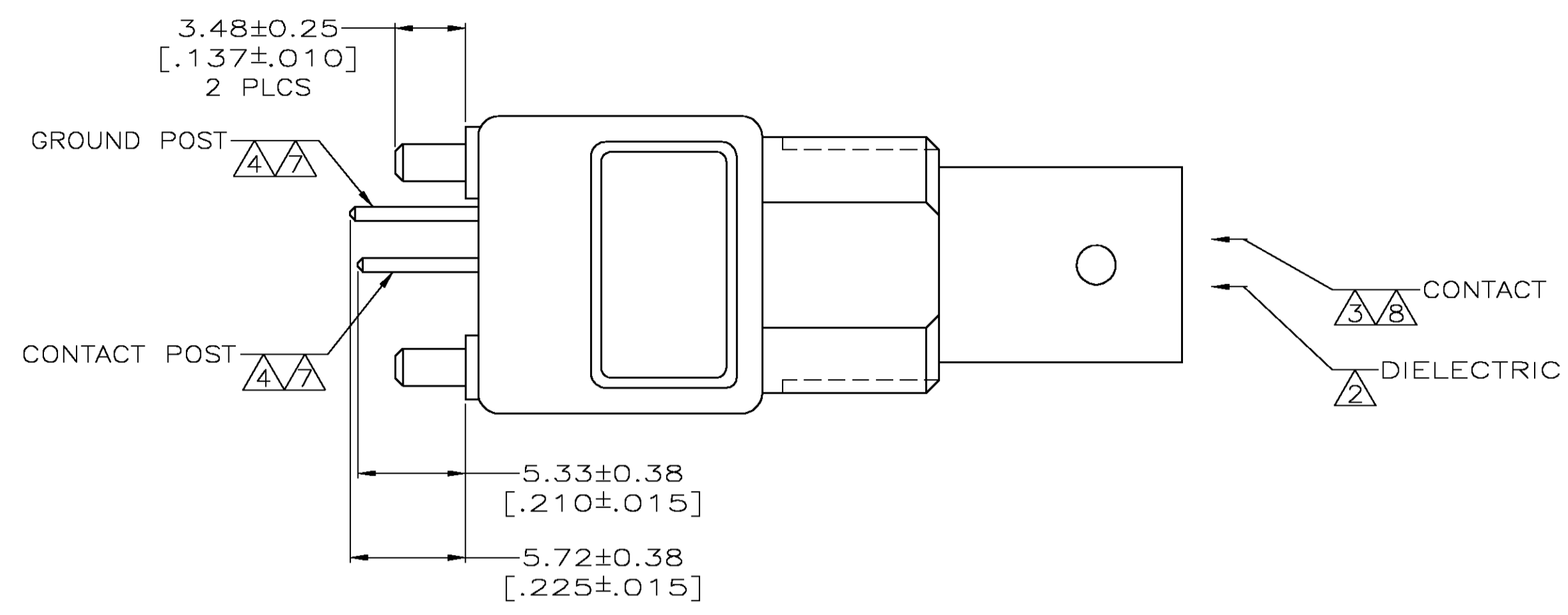
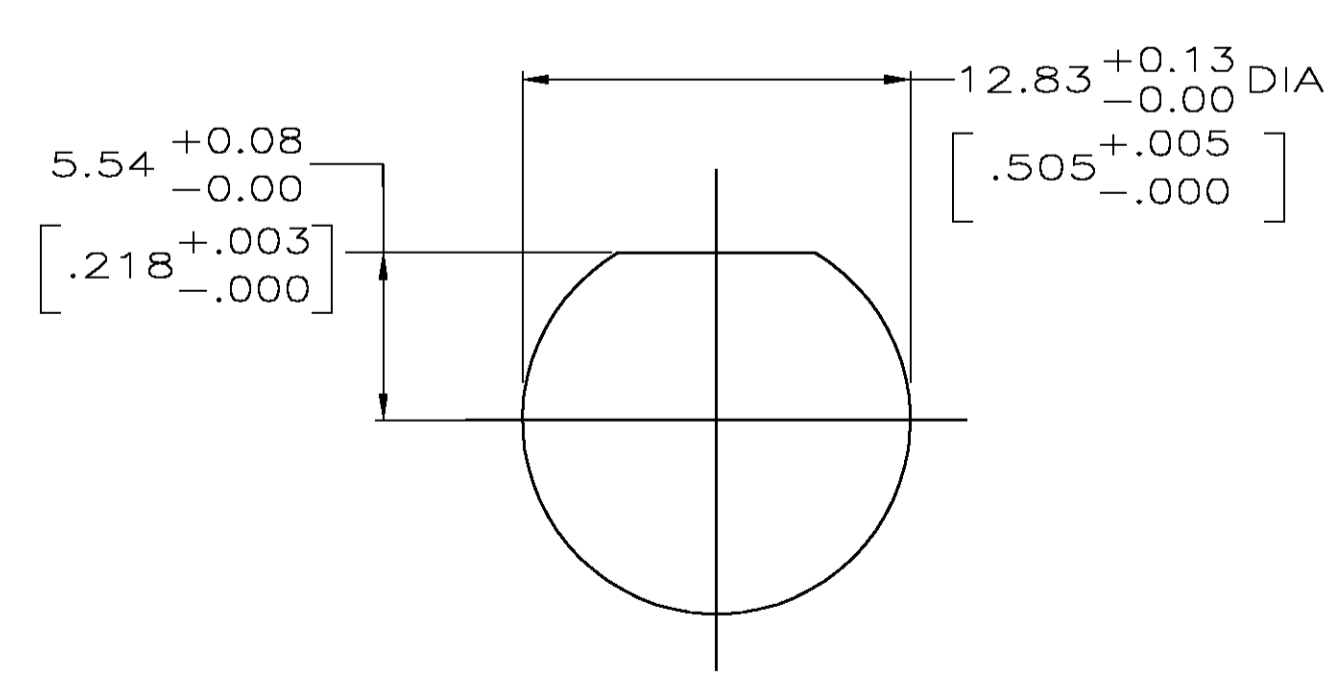
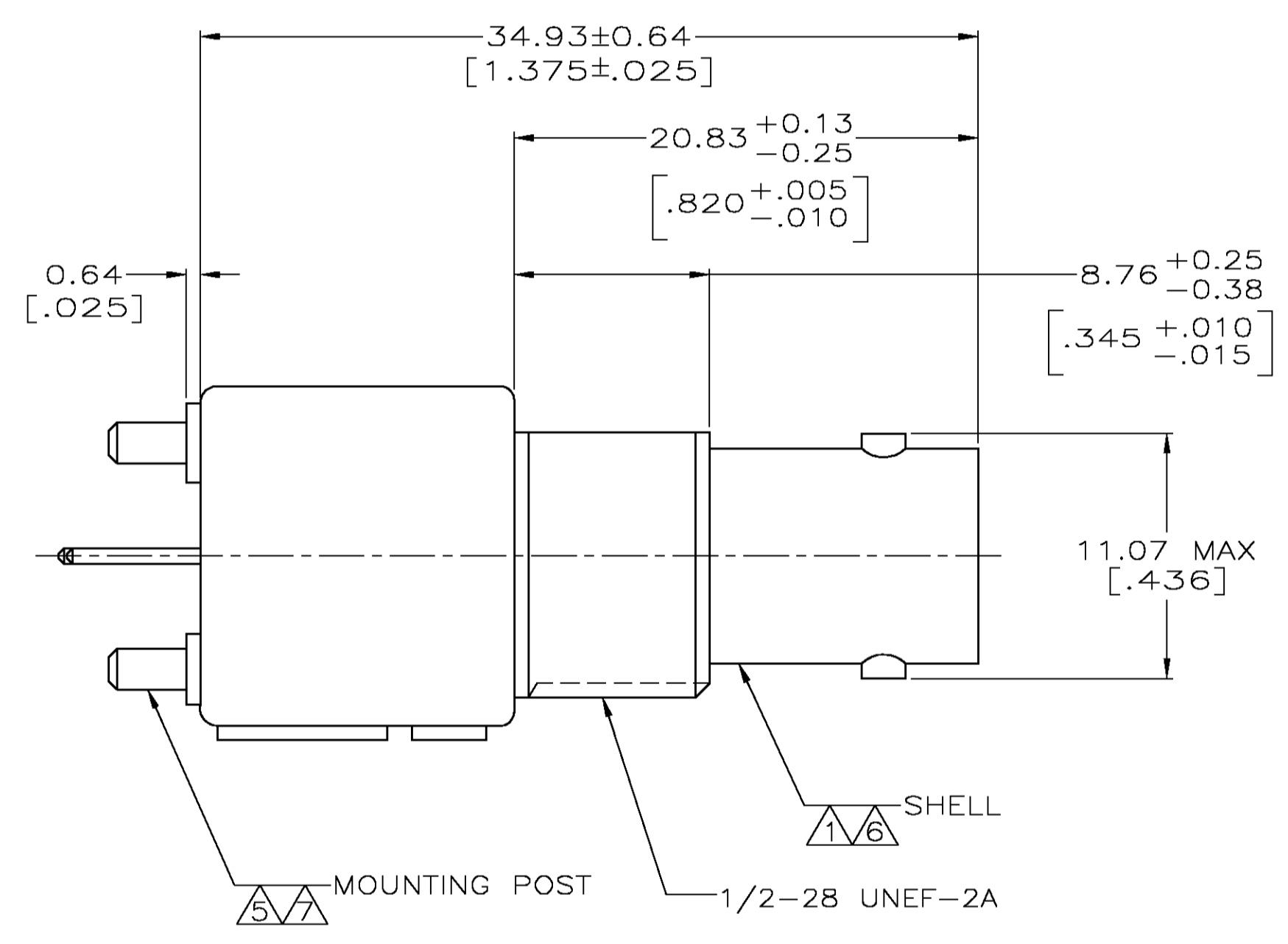
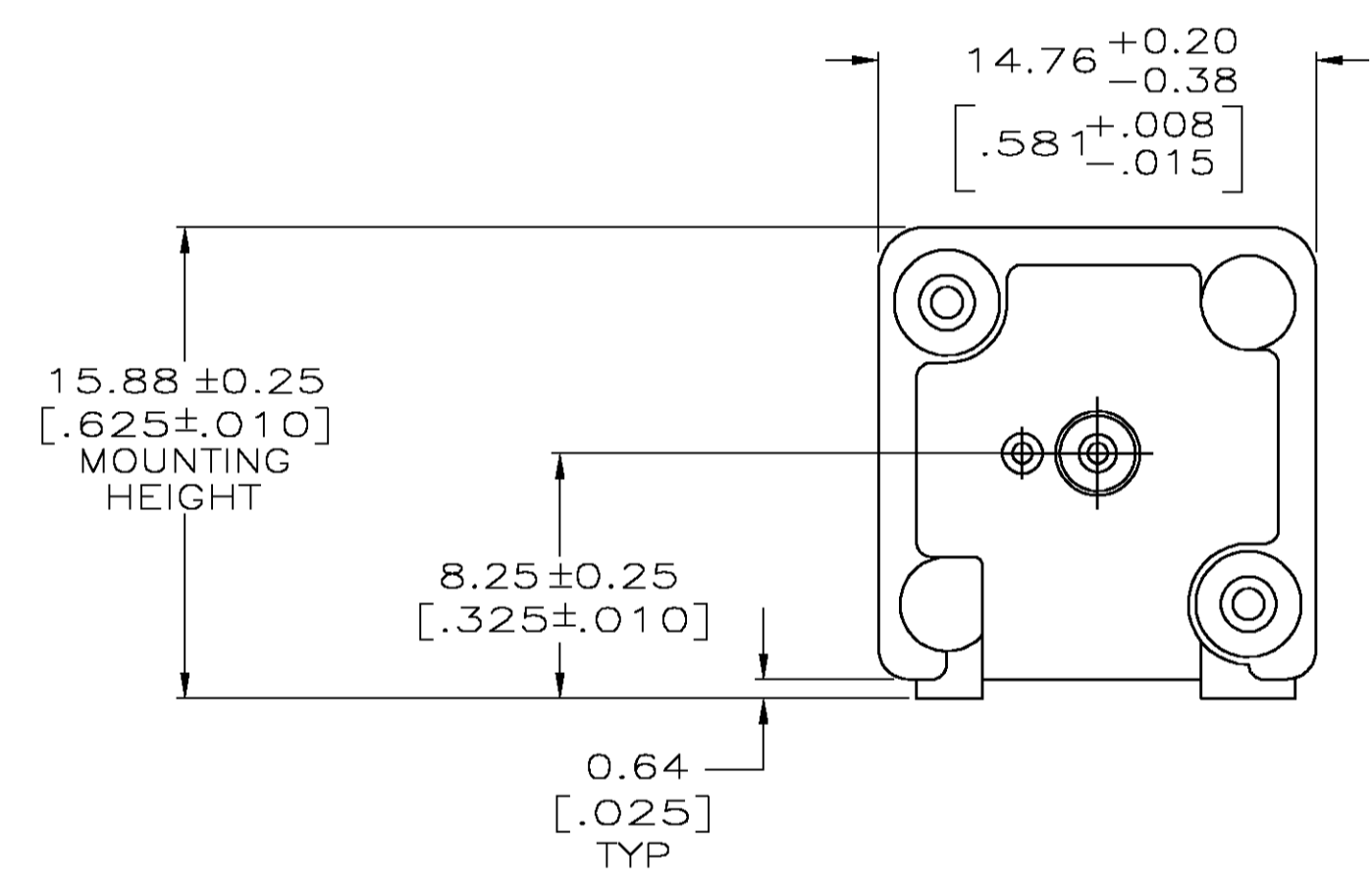


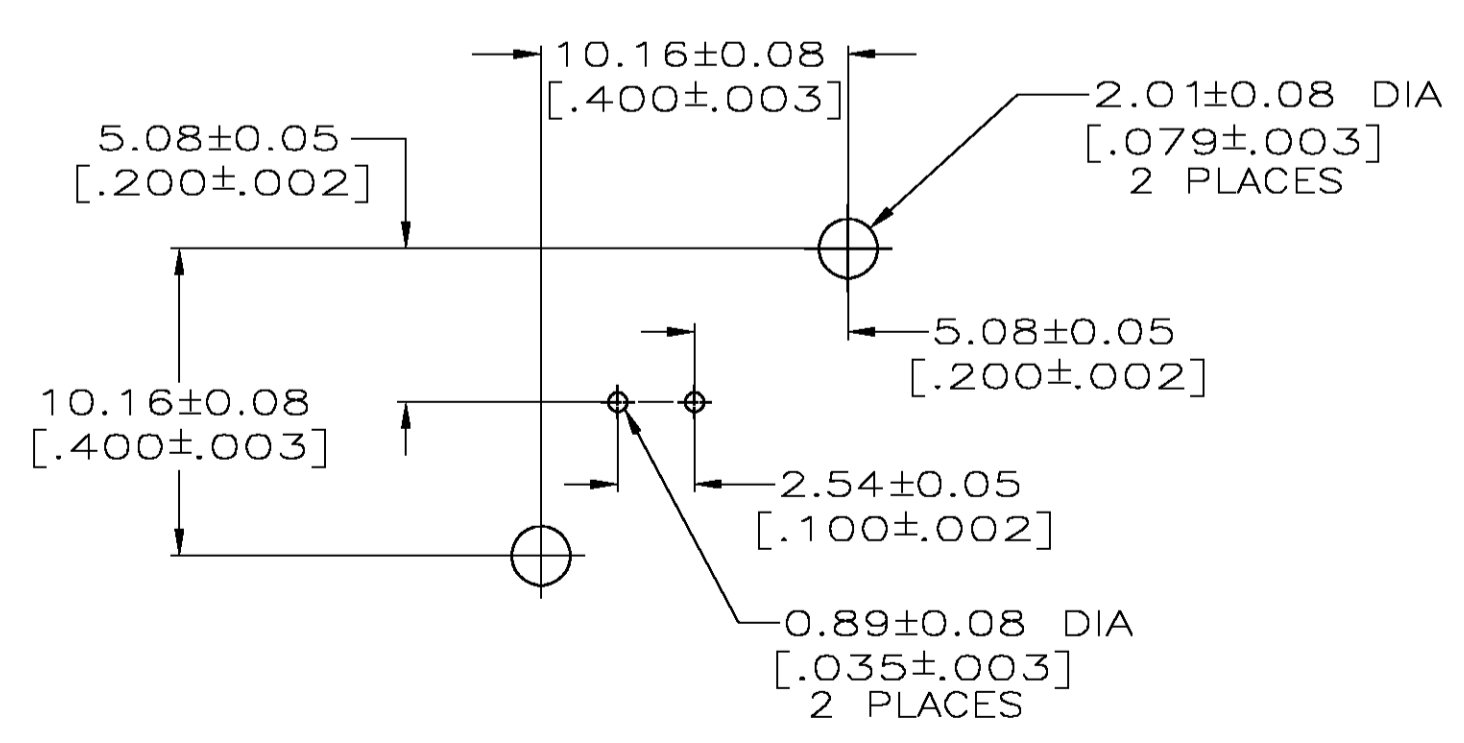
LOC		DIST		REVISIONS			
P	LR	DESCRIPTION	DATE	DN	APD		
C		PER EC 0514-0184-04	01DEC2004	JGH	JL		



- 1 ZINC PER QQ-Z-363.
- 2 POLYMETHYLPENTENE, GENERAL PURPOSE.
- 3 BERYLLIUM COPPER PER QQ-C-530.
- 4 BRASS PER ASTM-B-453.
- 5 BRASS PER ASTM-B-16.
- 6 NICKEL PLATE PER QQ-N-290,
3.81 μm [.000150] MINIMUM THICK.
- 7 TIN PLATE PER ASTM-B-545,
3.81 μm [.000150] MINIMUM THICK.
- 8 GOLD PLATE PER MIL-G-45204,
0.76 μm [.000030] MINIMUM THICK.
- 9. SEE INSTRUCTION SHEET 2769.



RECOMMENDED PANEL CUTOUT



PCB CONFIGURATION

222132-1
PART NUMBER

THIS DRAWING IS A CONTROLLED DOCUMENT.		DIN J. LIPPERT 4-13-92	Tyco Electronics Corporation Harrisburg, PA 17105-3608
DIMENSIONS: INCHES		CIK A. GABANY 4-14-92	
TOLERANCES UNLESS OTHERWISE SPECIFIED:		APVD A. GABANY 4-14-92	NAME
0 PLC ± -	1 PLC ± -	PRODUCT SPEC	JACK, VERTICAL, PCB
2 PLC ± 0.20 [.008]	3 PLC ± -	APPLICATION SPEC	75 OHM, SERIES BNC
4 PLC ± -	ANGLES ± -	SIZE	RESTRICTED TO
MATERIAL SEE NOTES 1-5	FINISH SEE NOTES 6-8	WEIGHT	
CUSTOMER DRAWING		SCALE 4:1	SHEET 1 OF 1

X-ON Electronics

Largest Supplier of Electrical and Electronic Components

Click to view similar products for [RF Connectors / Coaxial Connectors](#) category:

Click to view products by [TE Connectivity](#) manufacturer:

Other Similar products are found below :

[8915-1511-000](#) [89674-0827](#) [6001-7071-019](#) [6002-7051-003](#) [6002-7551-202](#) [6059674-1](#) [619550-1](#) [630059-000](#) [M39030/3-01N](#) [6500-7071-046](#) [6769](#) [CX050L2AQ](#) [7002-1541-010](#) [7002-1542-011](#) [7004-1512-000](#) [7009-1511-004](#) [7010-1511-000](#) [7029-1511-060](#) [7101-1541-010](#) [7101-1571-002](#) [7145-1521-002](#) [7203-1571-003](#) [7209-1511-011](#) [7210-1511-015](#) [7210-1511-019](#) [73137-5015](#) [73216-2241](#) [73404-2300](#) [7405-1521-005](#) [7405-1521-802](#) [8527](#) [8547](#) [FS11V](#) [877931](#) [8808-1511-001](#) [9049-9513-000](#) [9074-9513-000](#) [9101-9573-002](#) [910A205F](#) [9130-9573-002](#) [PL11SC-026](#) [PL375-33](#) [PL40-5](#) [PL74C-221](#) [PL75MC-217](#) [PL803-7](#) [1200690078](#) [1-201144-1](#) [R107003010W](#) [R110A172100](#)