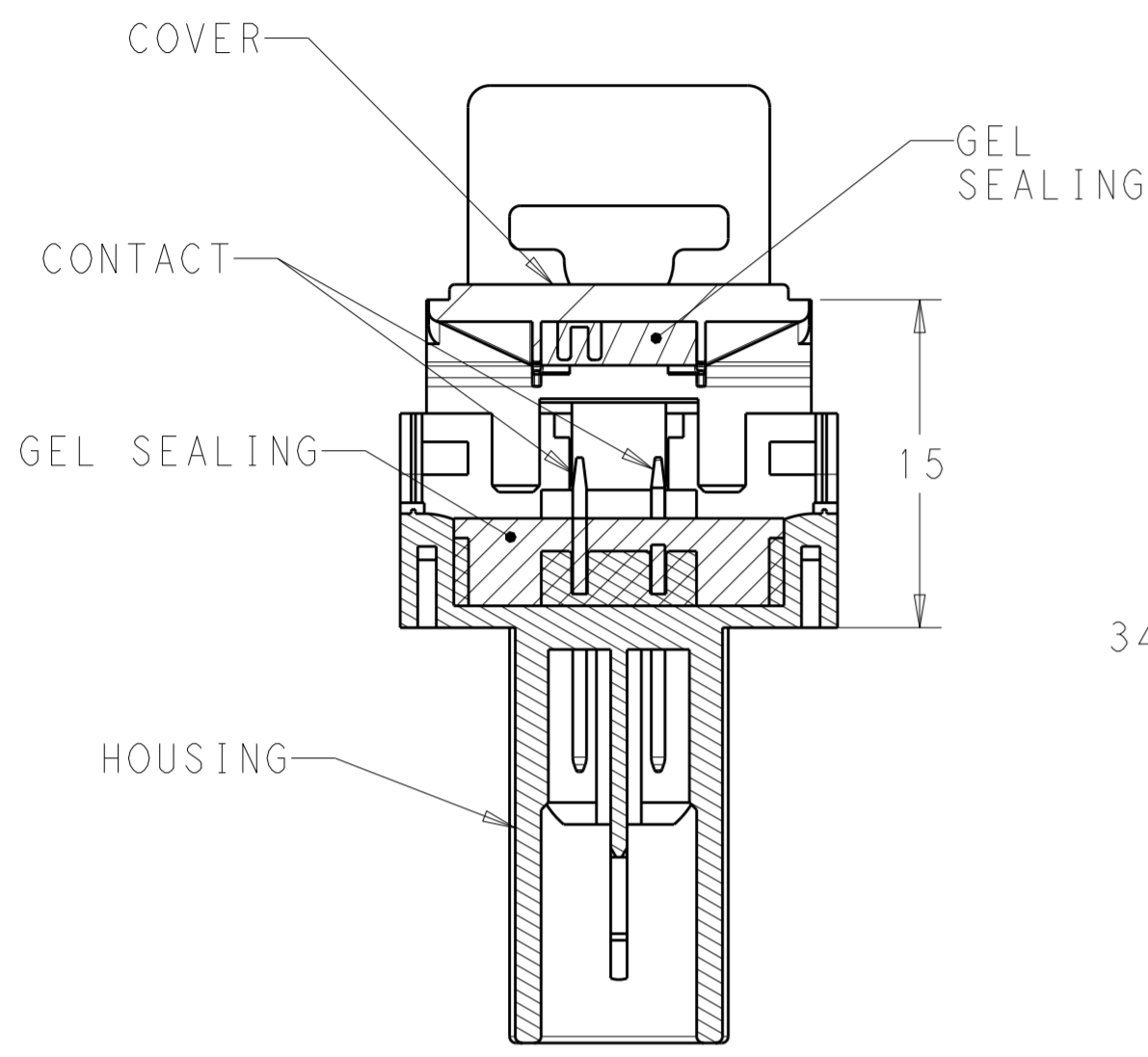
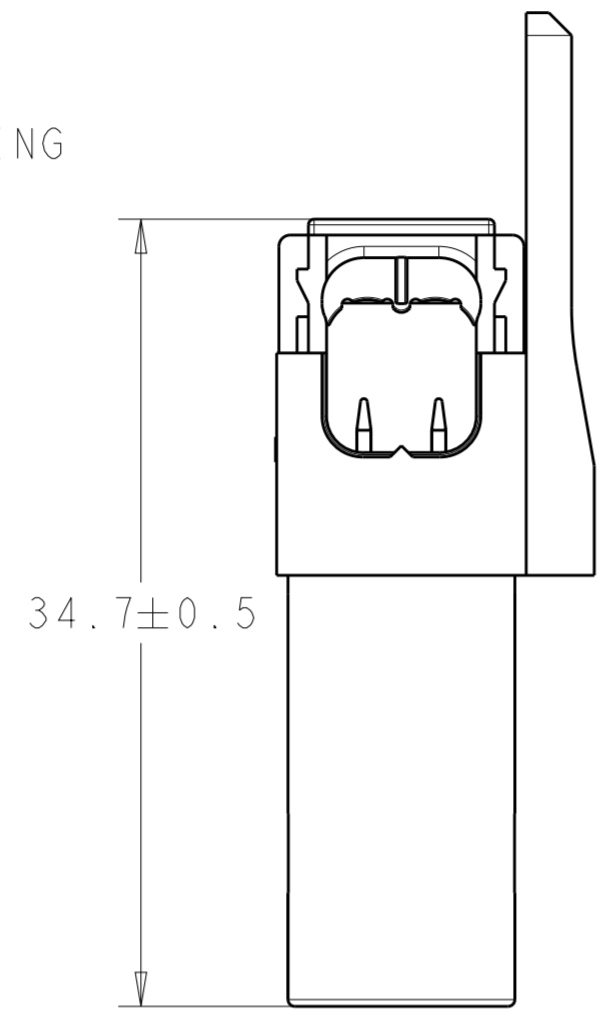


THIS DRAWING IS UNPUBLISHED. RELEASED FOR PUBLICATION 20  
 © COPYRIGHT 20 BY - ALL RIGHTS RESERVED.

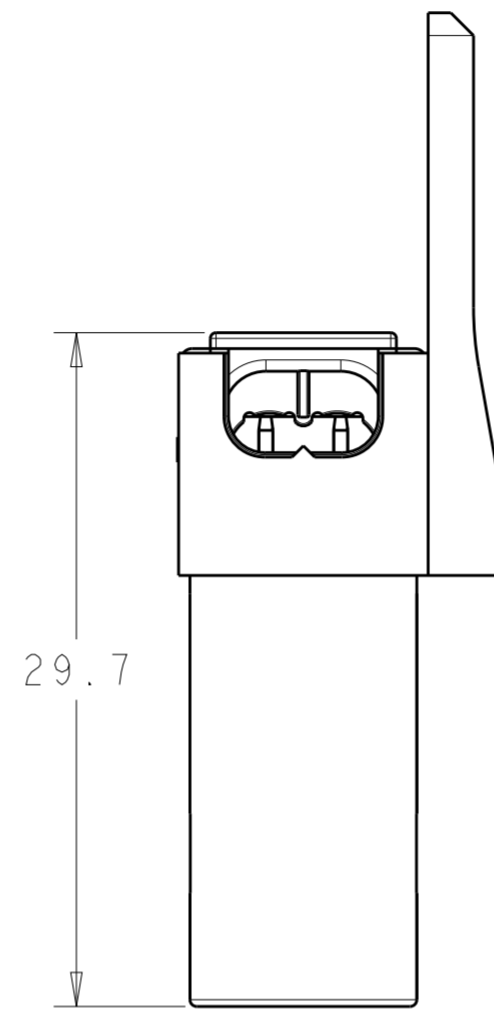
LOC		DIST		REVISIONS			
P	LTR	DESCRIPTION	DATE	DWN	APVD		
	A	REVISED PER ECR-15-010341	24JUL2015	RS	PO		
	A1	REVISED PER ECR-15-011381	05AUG2015	RS	JL		
	B	REVISED PER ECR-17-008257	12JUN2017	SK	JL		



SECTION A-A

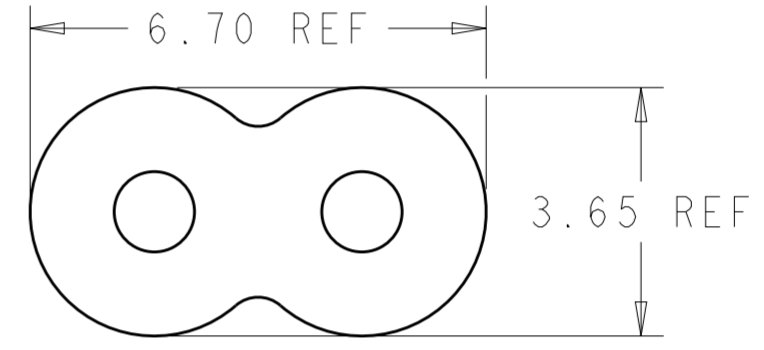


PRE-LOCKING CONDITION

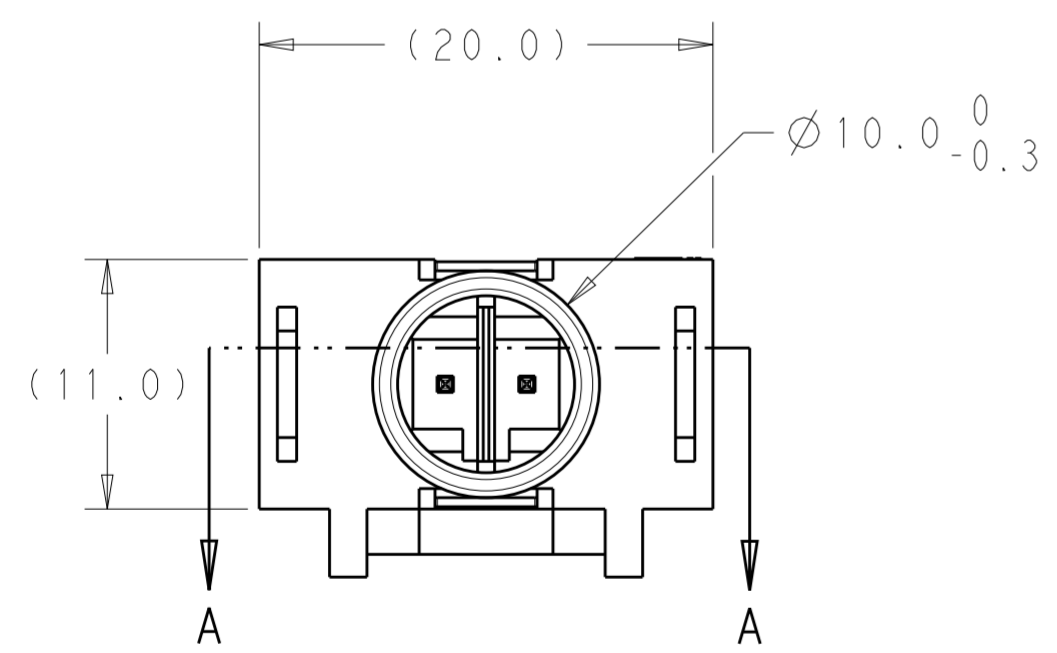


CLOSED CONDITION

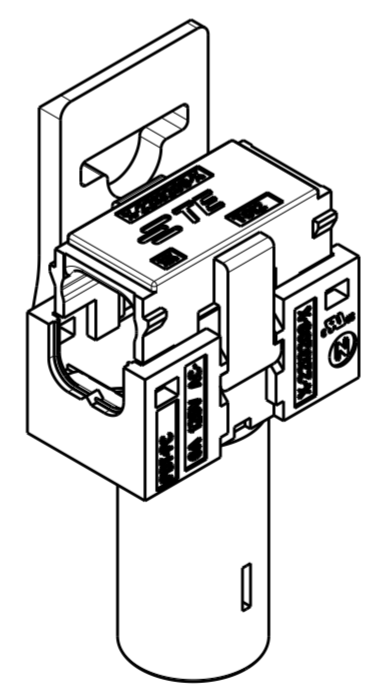
- MATERIAL AND FINISH:  
 HOUSING AND CAP: PBT+PC, COLOR: NATURAL  
 CONTACTS: COPPER ALLOY, FINISH: TIN OVER NICKEL  
 SEALING GEL: SILICONE DIELECTRIC GEL
- MUST COMPLY WITH DIRECTIVE 2002/95/EC (ROHS)
- TO BE USED WITH UL SPT-2, 2/C 18 AWG TYPE WIRE



TYPICAL SPT-2 CABLE



TYPICAL VIEW  
 SEE PAGE 3 FOR  
 ALL VARIATIONS



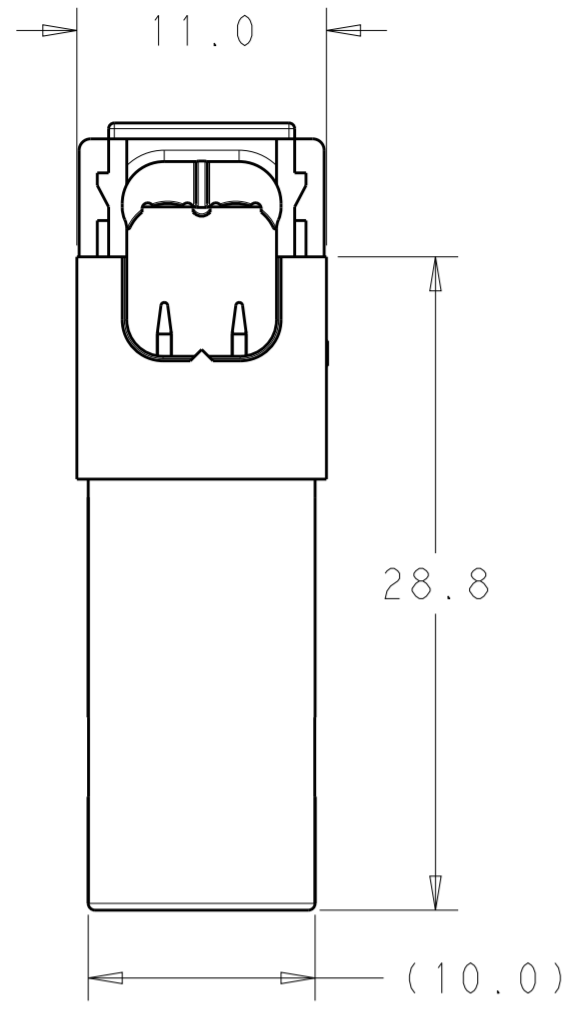
NO	LV-2	END HOUSING, WITHOUT TAB	7-2213222-4	
NO	HV-3	END HOUSING, WITHOUT TAB	7-2213222-1	
NO	LV-2	END HOUSING, WITH TAB	6-2213222-4	
NO	HV-3	END HOUSING, WITH TAB	6-2213222-1	
NO	LV-2	THRU HOUSING, WITHOUT TAB	5-2213222-4	
NO	HV-3	THRU HOUSING, WITHOUT TAB	5-2213222-1	
NO	LV-2	THRU HOUSING, WITH TAB	4-2213222-4	
NO	HV-3	THRU HOUSING, WITH TAB	4-2213222-1	
YES	LV-2	END HOUSING, WITHOUT TAB	3-2213222-4	
YES	HV-3	END HOUSING, WITHOUT TAB	3-2213222-1	
YES	LV-2	END HOUSING, WITH TAB	2-2213222-4	
YES	HV-3	END HOUSING, WITH TAB	2-2213222-1	
YES	LV-2	THRU HOUSING, WITHOUT TAB	1-2213222-4	
YES	HV-3	THRU HOUSING, WITHOUT TAB	1-2213222-1	
YES	LV-2	THRU HOUSING, WITH TAB	2213222-4	
YES	HV-3	THRU HOUSING, WITH TAB	2213222-1	
SEALING GEL		POLARIZATION KEY	HOUSING TYPE	PART NO.

THIS DRAWING IS A CONTROLLED DOCUMENT.

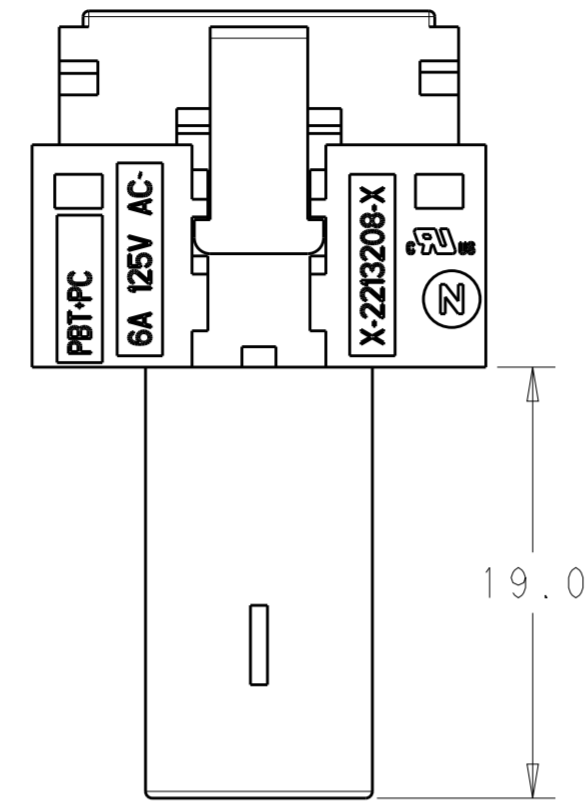
DIMENSIONS:	TOLERANCES UNLESS OTHERWISE SPECIFIED:	DWN	18MAR2013	 TE Connectivity
mm	0 PLC ±0.5	CHK	18MAR2013	
	1 PLC ±0.15	APVD	18MAR2013	
	2 PLC ±0.1	NAME	C. GINGRICH	
	3 PLC ±	PRODUCT SPEC	108-20294	ASSEMBLY: NECTOR S BUS BAR NA
	4 PLC ±	APPLICATION SPEC	114-20131	SIZE
MATERIAL	FINISH	WEIGHT	-	CAGE CODE
-	-	Customer Drawing	-	A200779
				DRAWING NO
				C-2213222
				RESTRICTED TO
				-
				SCALE
				2
				SHEET
				1 OF 3
				REV
				B

THIS DRAWING IS UNPUBLISHED. RELEASED FOR PUBLICATION 20  
 © COPYRIGHT 20 BY - ALL RIGHTS RESERVED.

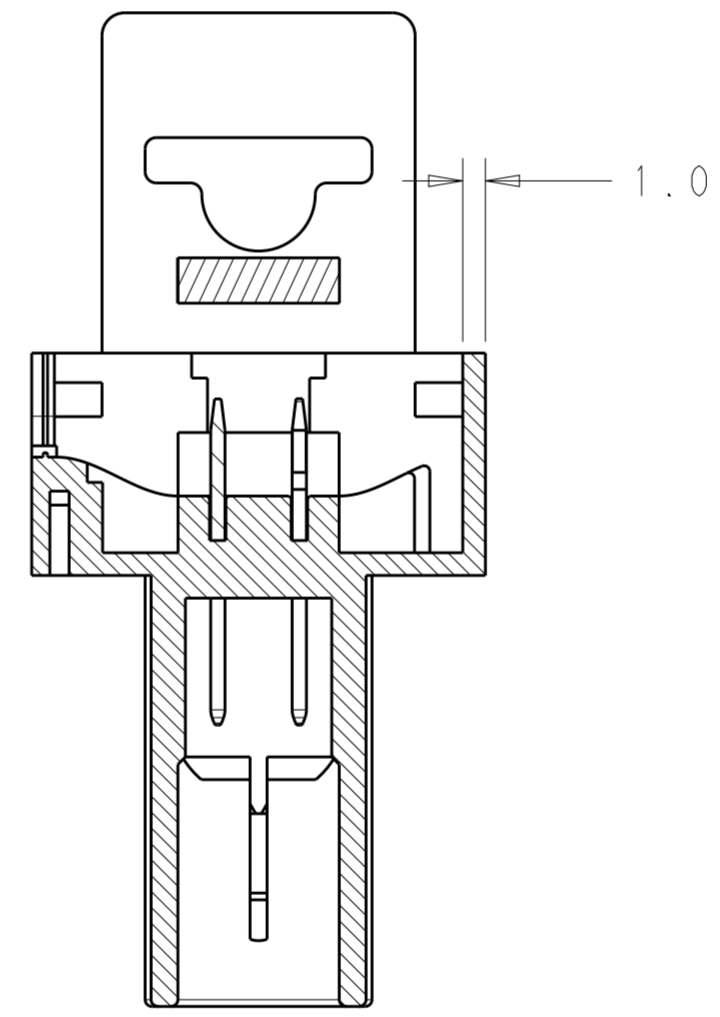
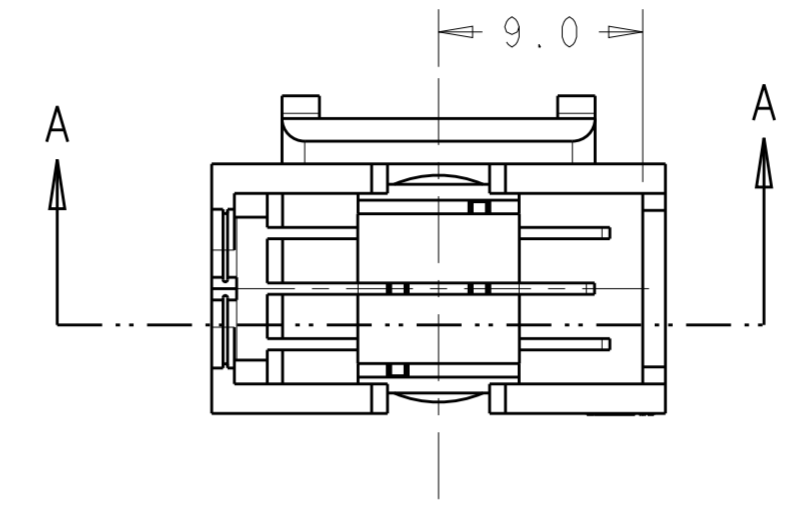
LOC	DIST	REVISIONS			
P	LTR	DESCRIPTION	DATE	DWN	APVD
-	-	SEE SHEET 1	-	-	-



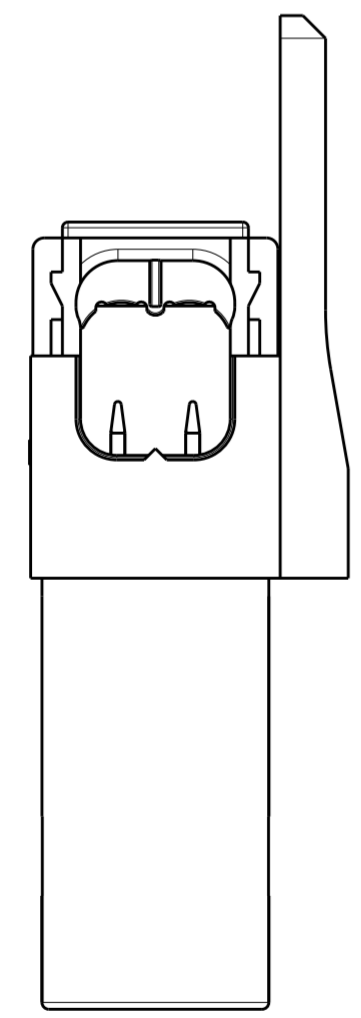
HOUSING WITHOUT TAB



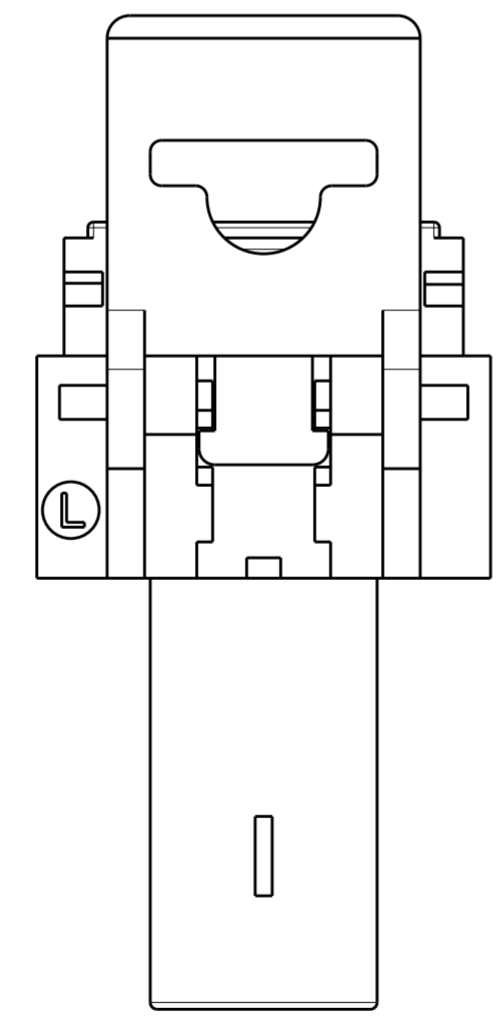
END HOUSING WITH TAB



SECTION A-A  
SCALE 3:1



HOUSING WITH TAB

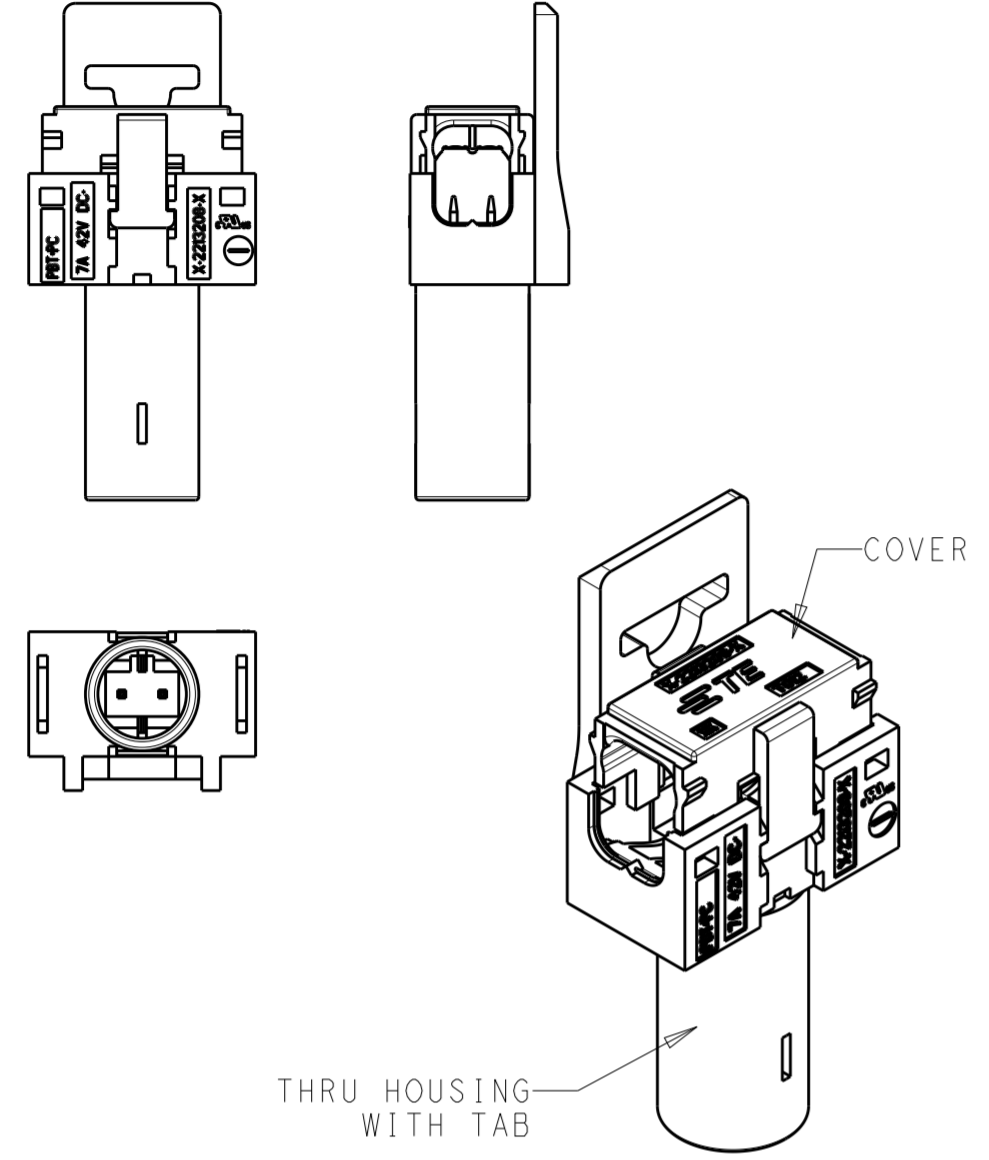


THIS DRAWING IS A CONTROLLED DOCUMENT.		DWN RAVI.S 18MAR2013	TE Connectivity		
DIMENSIONS: mm		CHK C. GINGRICH 18MAR2013			NAME ASSEMBLY: NECTOR S BUS BAR NA
TOLERANCES UNLESS OTHERWISE SPECIFIED:		APVD C. GINGRICH 18MAR2013			SIZE CAGE CODE DRAWING NO RESTRICTED TO
0 PLC ±0.5 1 PLC ±0.15 2 PLC ±0.1 3 PLC ± 4 PLC ± ANGLES ±1 FINISH		PRODUCT SPEC 108-20294			SCALE 2 SHEET 2 OF 3 REV B
MATERIAL		APPLICATION SPEC 114-20131	WEIGHT		
-		Customer Drawing	SIZE CAGE CODE DRAWING NO RESTRICTED TO		
-		Customer Drawing	A200779 C-2213222		

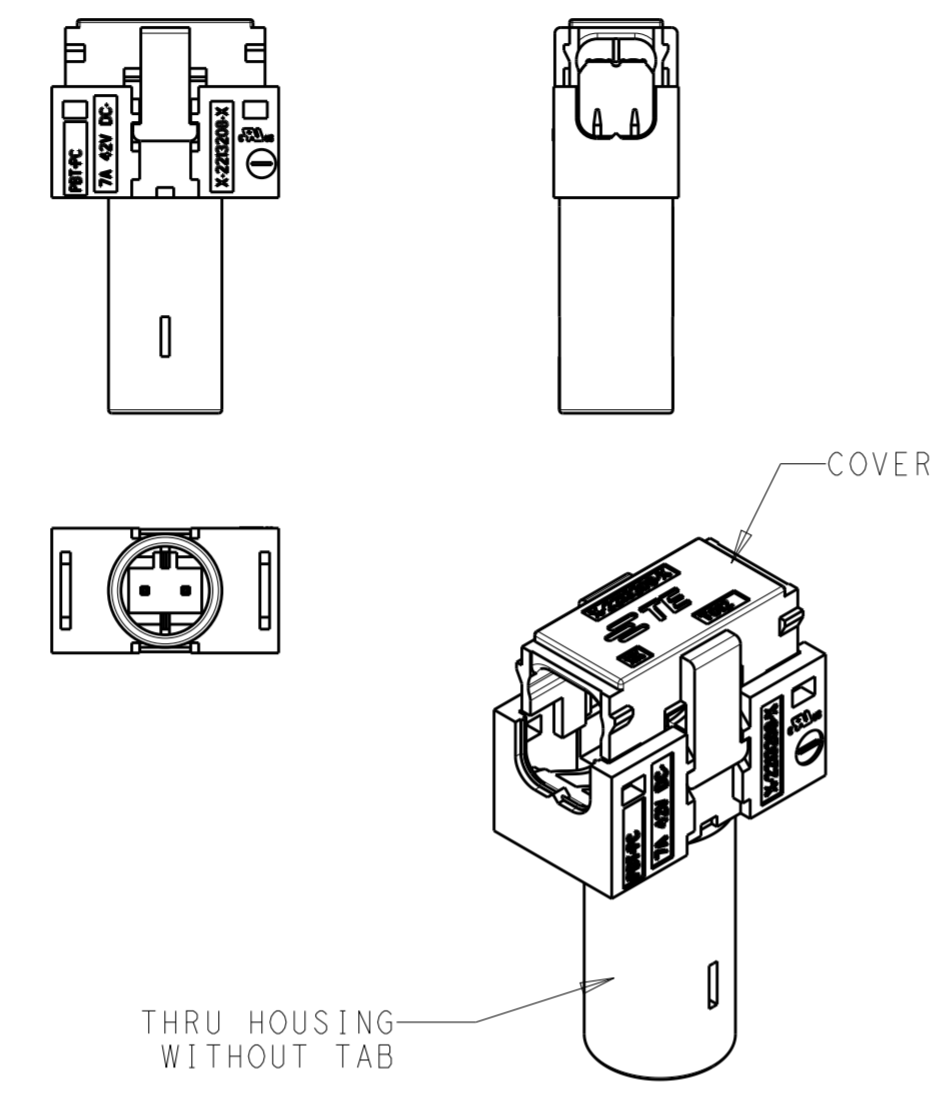
THIS DRAWING IS UNPUBLISHED. RELEASED FOR PUBLICATION 20  
 © COPYRIGHT 20 BY - ALL RIGHTS RESERVED.

LOC		DIST		REVISIONS			
P	LTR	DESCRIPTION	DATE	DWN	APVD		
-	-	SEE SHEET 1	-	-	-		

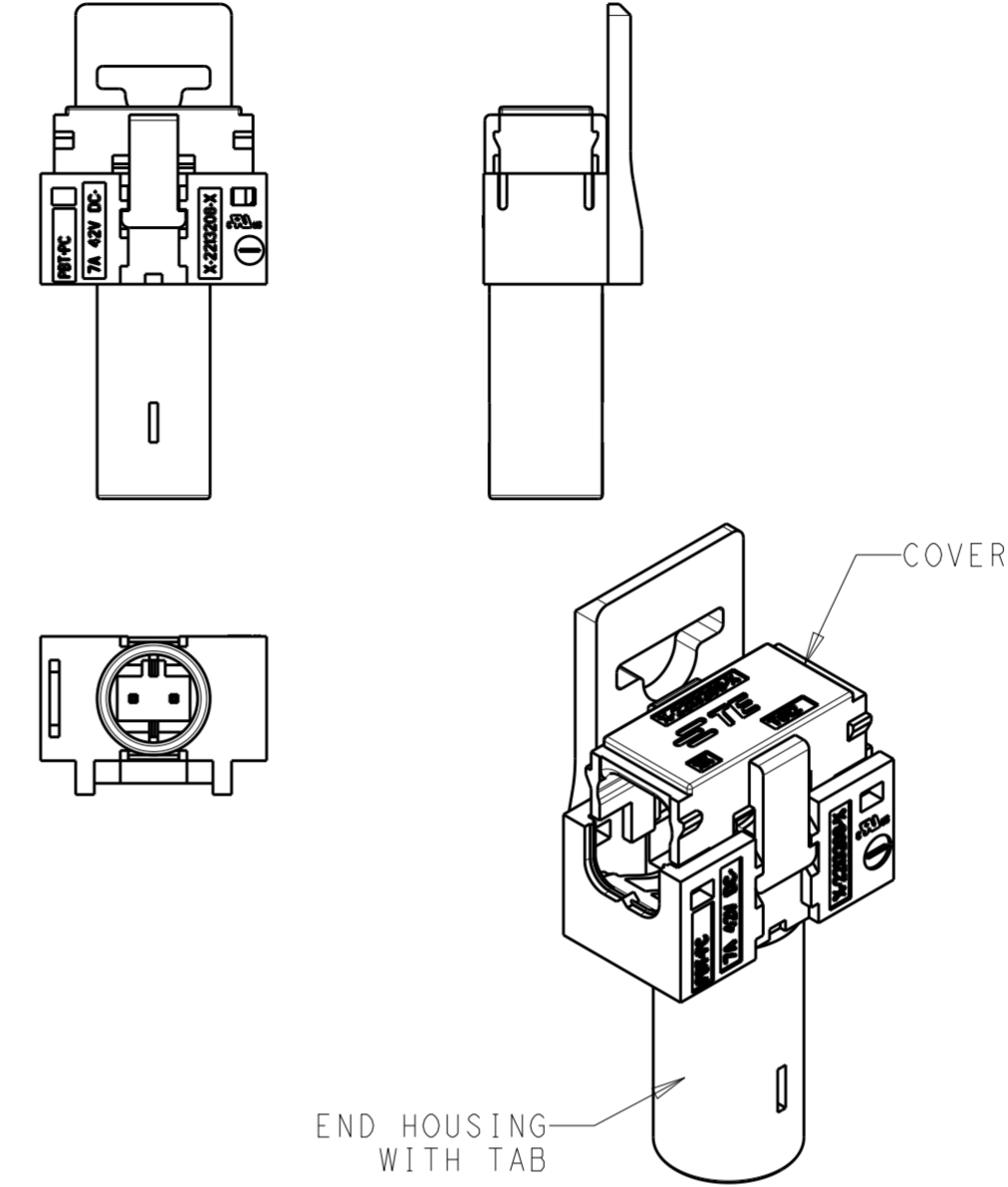
P/N 2213222-4 W/SEAL GEL  
 P/N 4-2213222-4 W/O SEAL GEL  
 POLARIZATION KEY LV-2



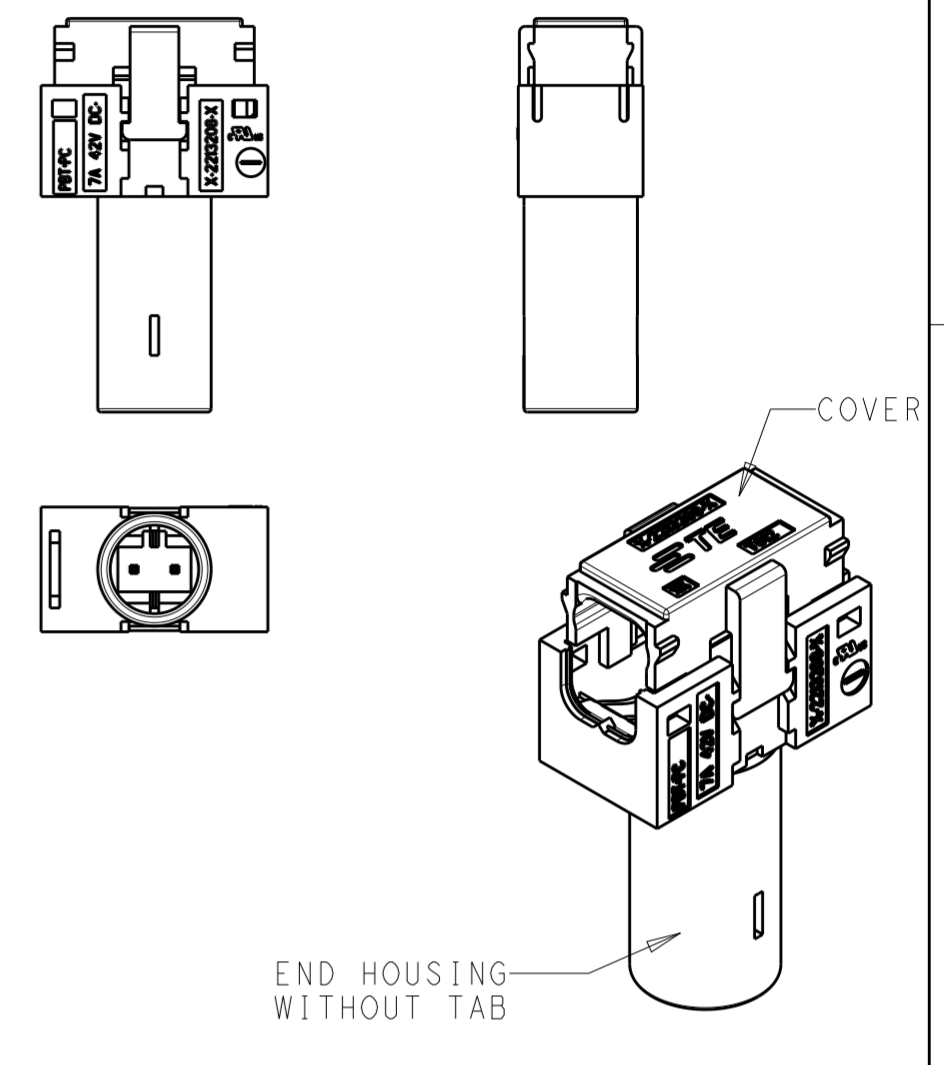
P/N 1-2213222-4 W/SEAL GEL  
 P/N 5-2213222-4 W/O SEAL GEL  
 POLARIZATION KEY LV-2



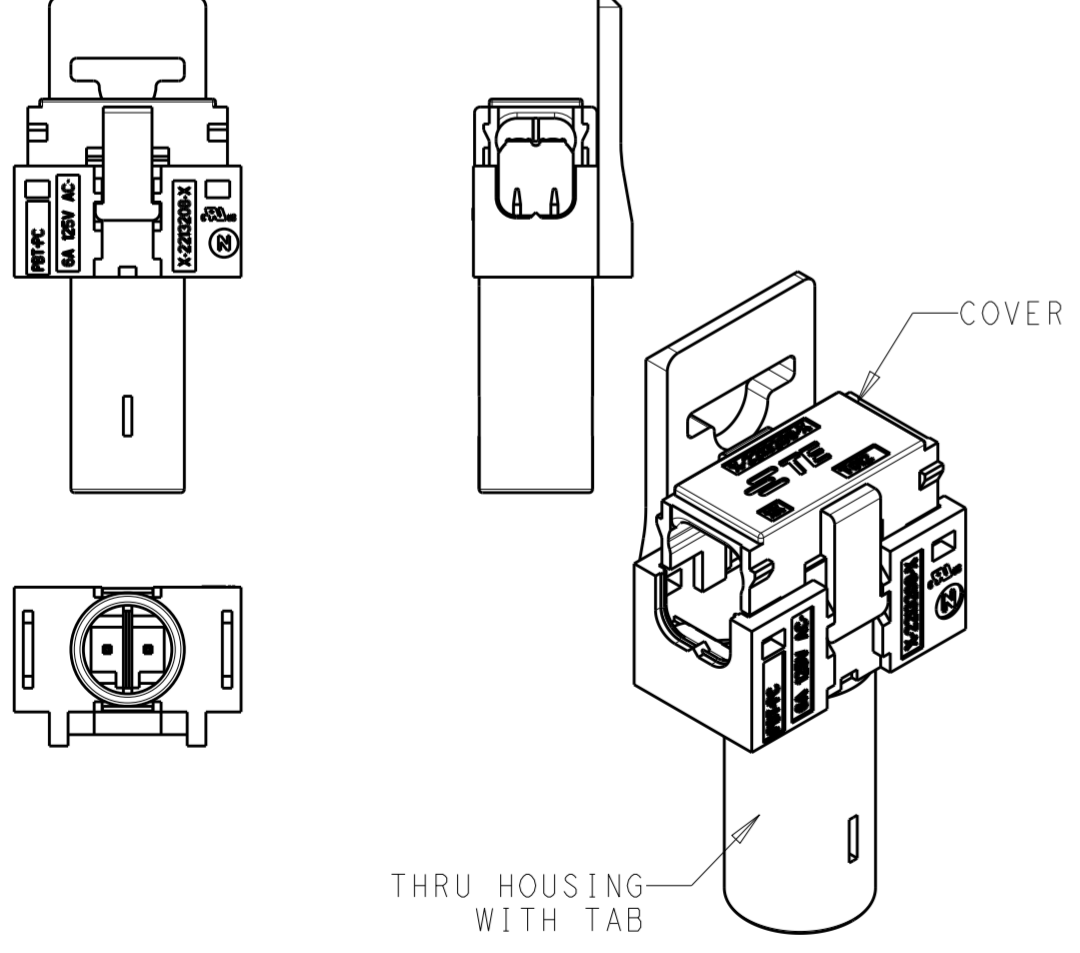
P/N 2-2213222-4 W/ SEAL GEL  
 P/N 6-2213222-4 W/O SEAL GEL  
 POLARIZATION KEY LV-2



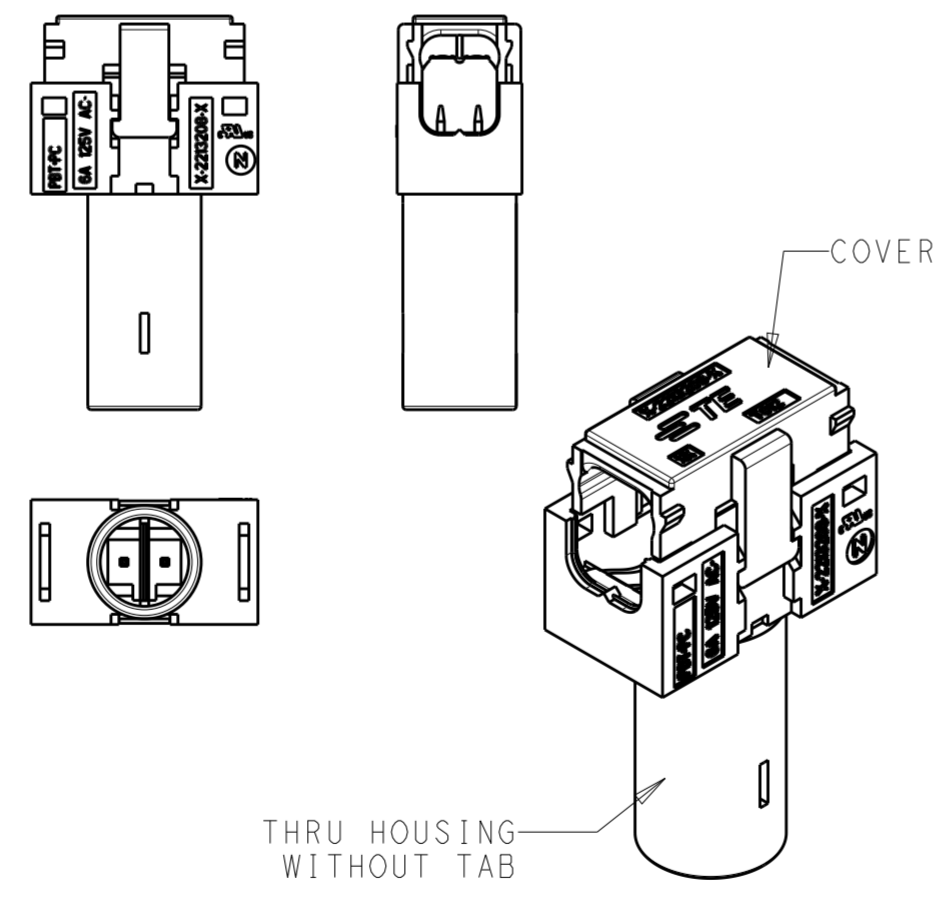
P/N 3-2213222-4 W/ SEAL GEL  
 P/N 7-2213222-4 W/O SEAL GEL  
 POLARIZATION KEY LV-2



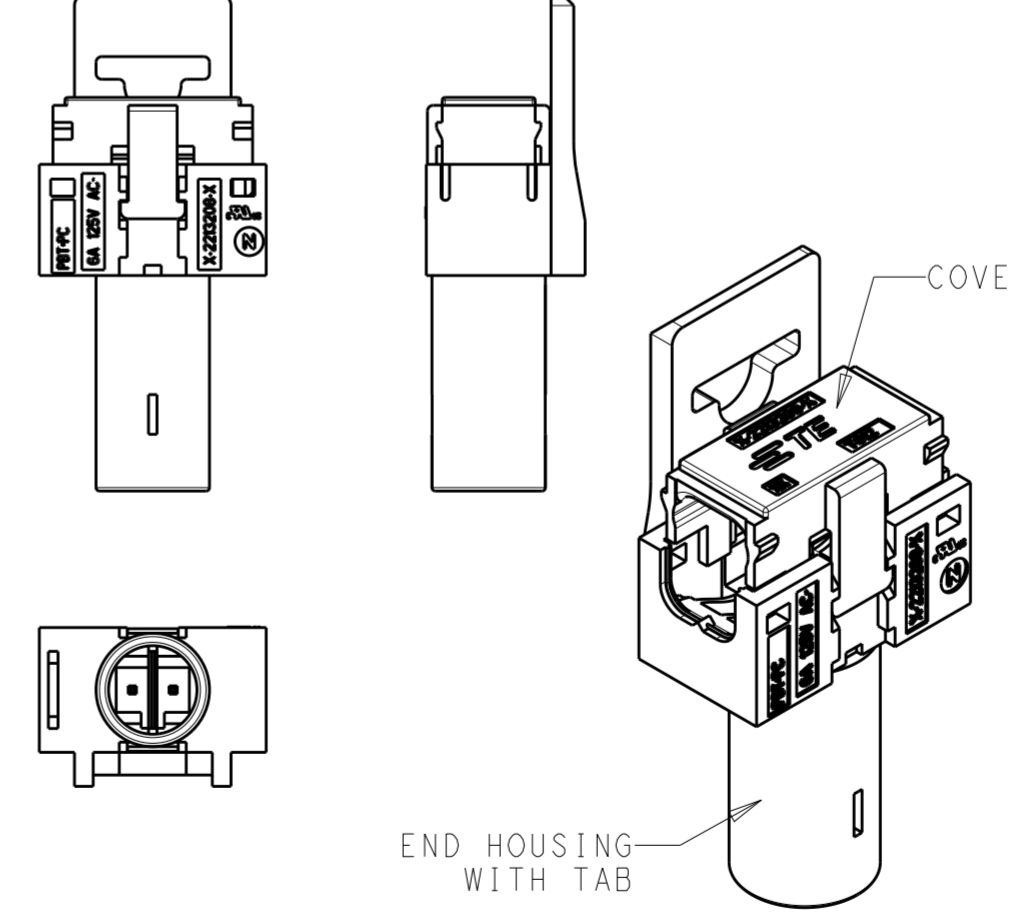
P/N 2213222-1 W/ SEAL GEL  
 P/N 4-2213222-1 W/O SEAL GEL  
 POLARIZATION KEY HV-3



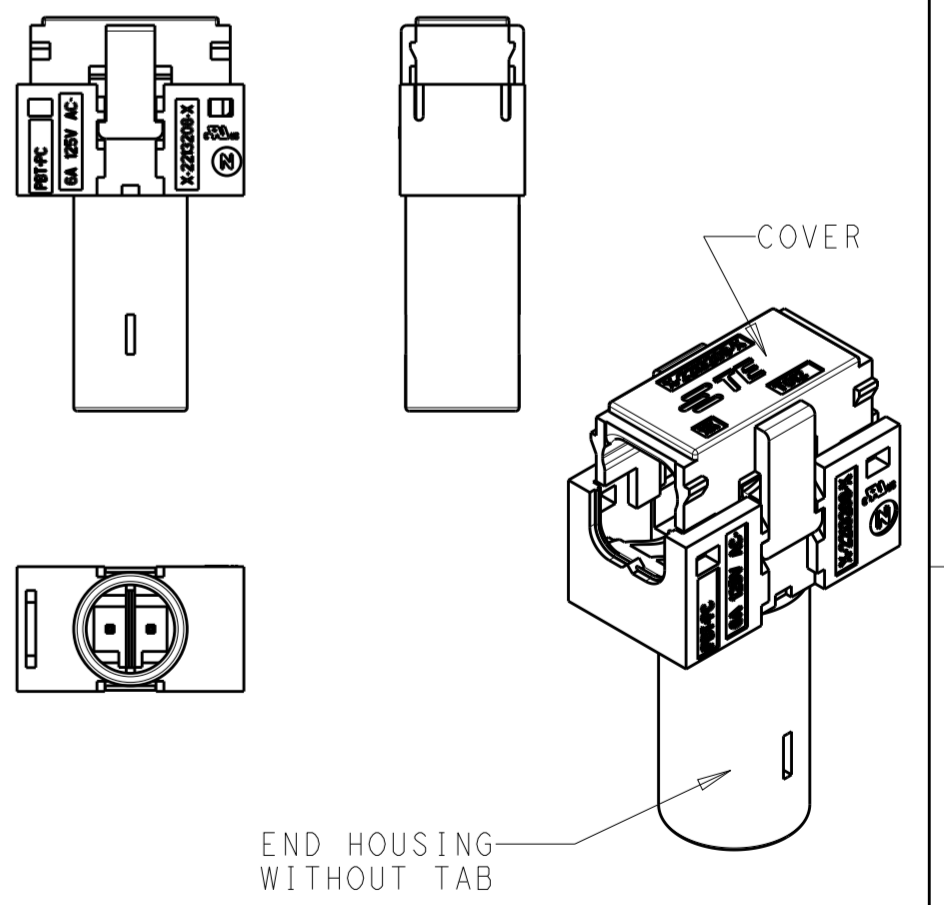
P/N 1-2213222-1 W/ SEAL GEL  
 P/N 5-2213222-1 W/O SEAL GEL  
 POLARIZATION KEY HV-3



P/N 2-2213222-1 W/ SEAL GEL  
 P/N 6-2213222-1 W/O SEAL GEL  
 POLARIZATION KEY HV-3



P/N 3-2213222-1 W/ SEAL GEL  
 P/N 7-2213222-1 W/O SEAL GEL  
 POLARIZATION KEY HV-3



THIS DRAWING IS A CONTROLLED DOCUMENT.

DIMENSIONS:	TOLERANCES UNLESS OTHERWISE SPECIFIED:	DWN	18MAR2013
mm	0 PLC ±0.5	CHK	18MAR2013
	1 PLC ±0.15	C	GINGRICH
	2 PLC ±0.1	APVD	18MAR2013
	3 PLC ±	C	GINGRICH
	4 PLC ±	PRODUCT SPEC	108-20294
	ANGLES ±1	APPLICATION SPEC	114-20131
MATERIAL	FINISH	WEIGHT	-
-	-	Customer Drawing	SCALE 2 SHEET 3 OF 3 REV B

STE TE Connectivity

ASSEMBLY: NECTOR S BUS BAR NA

SIZE CAGE CODE DRAWING NO RESTRICTED TO

A200779 C-2213222

## X-ON Electronics

Largest Supplier of Electrical and Electronic Components

*Click to view similar products for [Lighting Connectors](#) category:*

*Click to view products by [TE Connectivity](#) manufacturer:*

Other Similar products are found below :

[CNX\\_H03\\_NTP](#) [30-9767-BU](#) [3605](#) [3-21030-1](#) [ZCH-110-RGB-I](#) [109609001001800+](#) [ZCH-110-RGB-J](#) [Y6426-201V-1927300](#) [2834036-1](#)  
[2834037-1](#) [2834122-3](#) [2834122-5](#) [2834135-2](#) [FLA-R4142-30](#) [CNXV04NTP](#) [104128-0610](#) [1-1565647-3](#) [503485-0000 \(Cut Strip\)](#) [503485-](#)  
[0000 \(MINI Reel\)](#) [1-2834074-2](#) [1-2834074-3](#) [1-293300-2](#) [1357-AC PLUG W2C \(CHINA\)](#) [1357-AC PLUG W2 \(USA\)](#) [104505-8003 \(Loose](#)  
[Piece\)](#) [104539-8002 \(Loose Piece\)](#) [104539-8102 \(Loose Piece\)](#) [104266-0110](#) [104521-6001 \(Loose Piece\)](#) [CNXV06NTP](#) [CNXV02NTP](#)  
[2154662-1](#) [2106212-1](#) [ES9P004VFZR1600](#) [ES9P002VFZR1600](#) [1740335-4](#) [2008106-2](#) [2-2834074-2](#) [2106004-1](#) [2134347-1](#) [104266-0210](#)  
[293308-6](#) [293470-1](#) [293602-1](#) [293651-2](#) [293651-4](#) [DF59-2S-4V\(51\)](#) [DF59-2P-4FC\(50\)](#) [1-2834006-2](#) [293224-6](#)