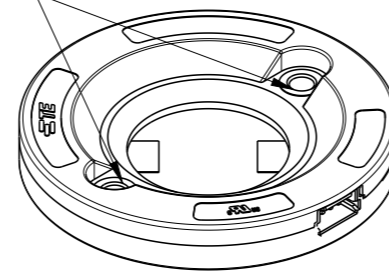
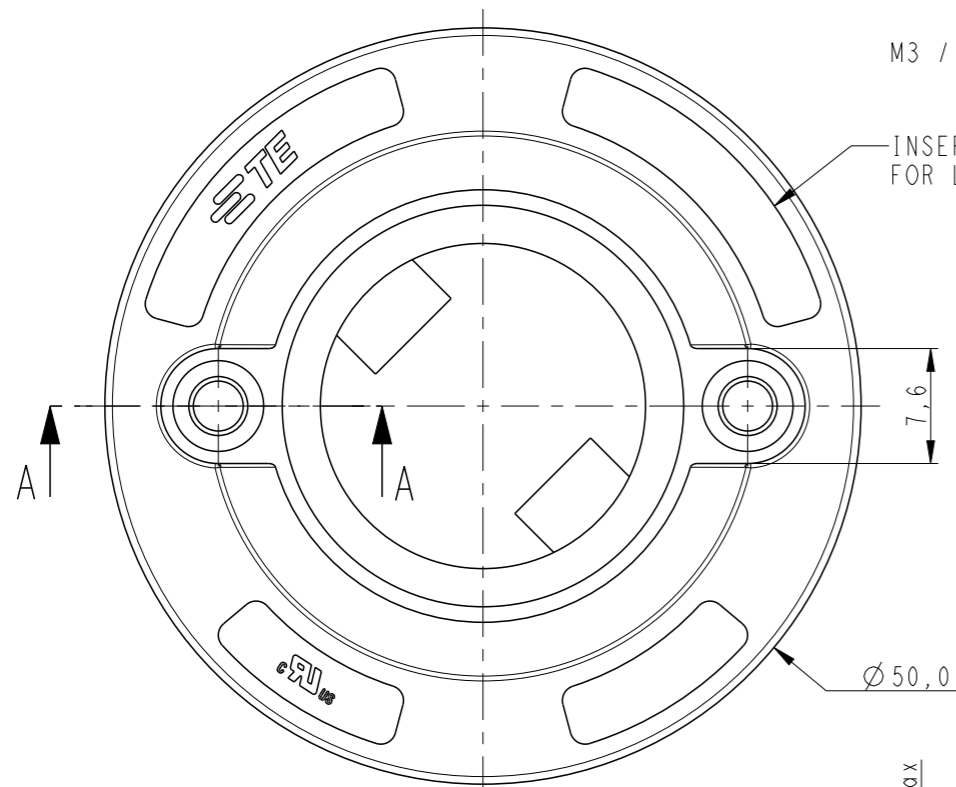


REVISIONS

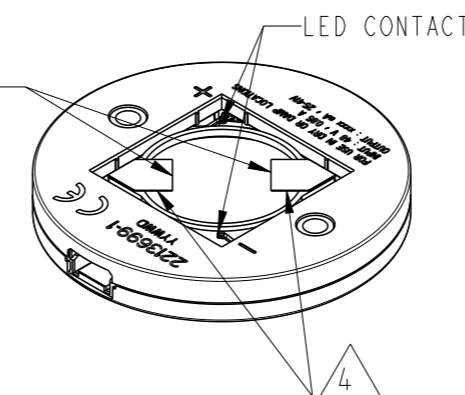
P	LTR	DESCRIPTION	DATE	DWN	APVD
C		REVISED PER ECR-19-014834	23SEP2019	RS	MG

NOTES:

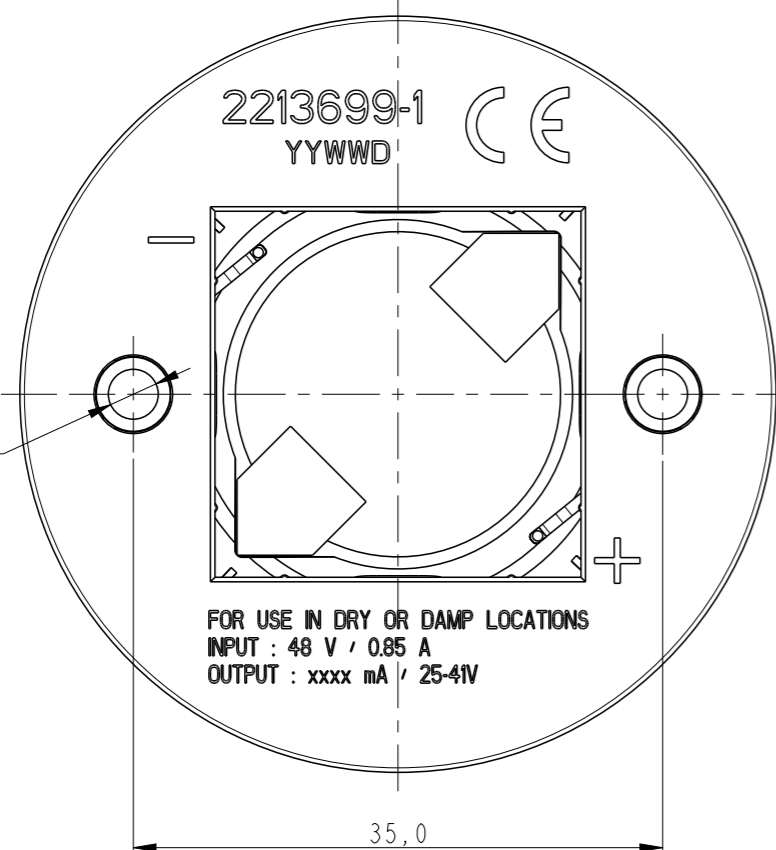
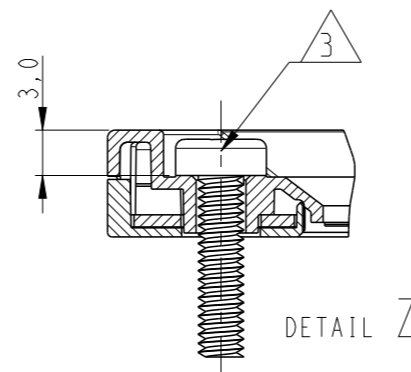
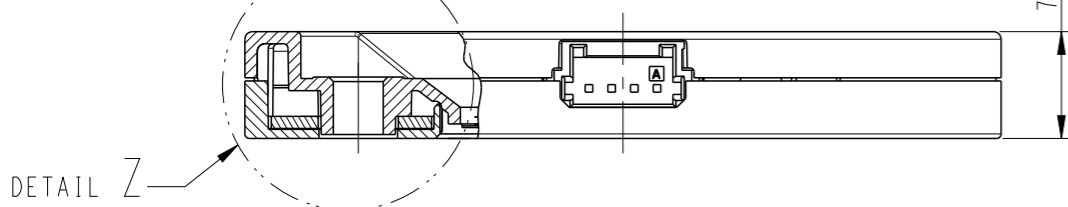
- MATERIALS:  
HOUSING: GLASS FILLED PBT, HALOGEN FREE FLAME RETARDANT  
COLOR : NATURAL  
CONTACTS: GOLD PLATED COPPER ALLOY
- PRODUCT COMPLIES WITH RESTRICTION ON HAZARDOUS SUBSTANCES DIRECTIVE 2011/65/EU
- SCREW TO BE USED - PAN HEAD M3, #4-40, LENGTH 12mm MIN. RECOMMENDED SCREW TORQUE: 0.4 - 0.6 Nm
- LED RETENTION ON 2 CORNERS WITH DOUBLE SIDED ADHESIVE TAPE.
- MATING CONNECTOR TE PART NO: 353908-4 OR 6-353908-4
- DIMENSIONS SHOWN ARE IN MATED POSITION WITH LED
- SEE SHEET 3 FOR RECOMMENDED PIN LAYOUT & ADDITIONAL INFORMATION
- ELECTRICAL RATINGS:  
- USE WITH A 48V DC CONSTANT VOLTAGE CLASS 2 POWER SUPPLY, ±10% TOLERANCE  
- LED FORWARD VOLTAGE HAVE THE FOLLOWING RANGE: 25 - 41VDC
- FOR COB-TO-HOLDER CROSS REFERENCE, REFER TO APPLICATION SPECIFICATION 114-32208



REMOVE RELEASE LINER BEFORE ASSEMBLING LED



SECTION A-A



PRODUCT DATA SHEET 1-1773935-6 FOR ADDITIONAL INFORMATION

CURRENT (mA)	LED TYPE	DESCRIPTION	WEIGHT (g)	PART NO
1050	16x19	ON/OFF, 1.05A, 16x19	9.48	3-2213699-4
	19x19	ON/OFF, 1.05A, 19x19	9.38	3-2213699-3
	20x24	ON/OFF, 1.05A, 20x24	9.33	3-2213699-2
	24x24	ON/OFF, 1.05A, 24x24	9.09	3-2213699-1
700	16x19	ON/OFF, 0.7A, 16x19	9.48	2-2213699-4
	19x19	ON/OFF, 0.7A, 19x19	9.38	2-2213699-3
	20x24	ON/OFF, 0.7A, 20x24	9.33	2-2213699-2
	24x24	ON/OFF, 0.7A, 24x24	9.09	2-2213699-1
500	16x19	ON/OFF, 0.5A, 16x19	9.48	1-2213699-4
	19x19	ON/OFF, 0.5A, 19x19	9.38	1-2213699-3
	20x24	ON/OFF, 0.5A, 20x24	9.33	1-2213699-2
	24x24	ON/OFF, 0.5A, 24x24	9.09	1-2213699-1
350	16x19	ON/OFF, 0.35A, 16x19	9.48	2213699-4
	19x19	ON/OFF, 0.35A, 19x19	9.38	2213699-3
	20x24	ON/OFF, 0.35A, 20x24	9.33	2213699-2
	24x24	ON/OFF, 0.35A, 24x24	9.09	2213699-1

THIS DRAWING IS A CONTROLLED DOCUMENT.

DIMENSIONS: mm	TOLERANCES UNLESS OTHERWISE SPECIFIED:
0 PLC	±-
1 PLC	±0.2
2 PLC	±0.1
3 PLC	±-
4 PLC	±-
ANGLES	±-
FINISH	-
MATERIAL SEE NOTES	-

DWN	27OCT2016
CHK	16FEB2017
APVD	12APR2017
PRODUCT SPEC	108-133082
APPLICATION SPEC	114-133082
WEIGHT	-
CUSTOMER DRAWING	

**STE** TE Connectivity

NAME: LUMAWISE DRIVE TYPE Z50 ON-OFF VERSION

SIZE	CAGE CODE	DRAWING NO	RESTRICTED TO
A3	00779	C-2213699	-

SCALE: 2:1 SHEET: 1 OF 3 REV: C

4

3

2

1

THIS DRAWING IS UNPUBLISHED.

RELEASED FOR PUBLICATION

2017

© COPYRIGHT 2017 BY -

ALL RIGHTS RESERVED.

REVISIONS

P	LTR	DESCRIPTION	DATE	DWN	APVD

AS SHOWN 2213699-1  
SCALE 1:1

Ø21,5

9,36±0,25 (2x) 6

9,24±0,25 (2x) 6

24,2

24,2

2213699-1 YYWWD

FOR USE IN DRY OR DAMP LOCATIONS  
INPUT : 48 V / 0,05 A  
OUTPUT : xxxxx mA / 25-4W

AS SHOWN 2213699-2  
SCALE 1:1

Ø18,0

9,12±0,25 (2x) 6

7,13±0,25 (2x) 6

20,3

24,2

2213699-2 YYWWD

FOR USE IN DRY OR DAMP LOCATIONS  
INPUT : 48 V / 0,05 A  
OUTPUT : xxxxx mA / 25-4W

AS SHOWN 2213699-3  
SCALE 1:1

Ø17,7

7,50±0,25 (2x) 6

7,55±0,25 (2x) 6

19,3

19,3

2213699-3 YYWWD

FOR USE IN DRY OR DAMP LOCATIONS  
INPUT : 48 V / 0,05 A  
OUTPUT : xxxxx mA / 25-4W

AS SHOWN 2213699-4  
SCALE 1:1

Ø14,0

7,50±0,25 (2x) 6

6,05±0,25 (2x) 6

16,3

19,3

2213699-4 YYWWD

FOR USE IN DRY OR DAMP LOCATIONS  
INPUT : 48 V / 0,05 A  
OUTPUT : xxxxx mA / 25-4W

THIS DRAWING IS A CONTROLLED DOCUMENT.

DWN 27OCT2016

SUBHASH.M

CHK 16FEB2017

O.LEIJNSE

APVD 12APR2017

O.LEIJNSE

PRODUCT SPEC

108-133082

APPLICATION SPEC

114-133082

WEIGHT

-

CUSTOMER DRAWING

TE Connectivity

NAME  
LUMAWISE DRIVE TYPE Z50  
ON-OFF VERSION

RESTRICTED TO

SIZE A3 CAGE CODE 00779 DRAWING NO. C-2213699

SCALE 3:2 SHEET 2 OF 3 REV C

DIMENSIONS:

mm

MATERIAL  
SEE NOTESTOLERANCES UNLESS  
OTHERWISE SPECIFIED:

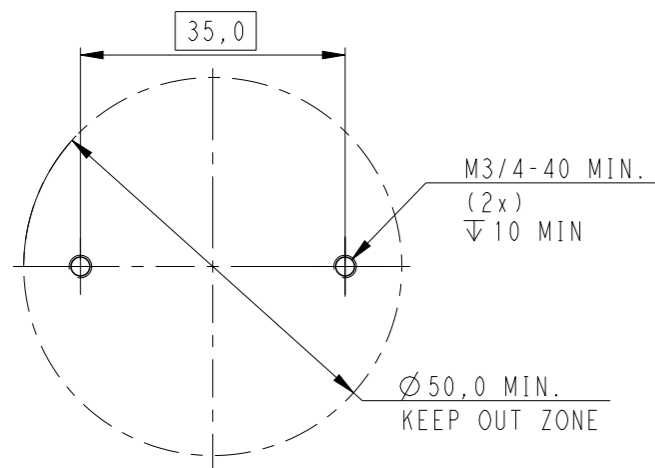
0 PLC	±-
1 PLC	±0.2
2 PLC	±0.1
3 PLC	±-
4 PLC	±-
ANGLES	±-
FINISH	-
	-

1470-19 (3/13)

REVISIONS

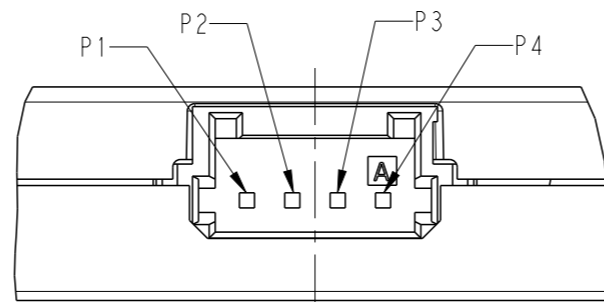
P	LTR	DESCRIPTION	DATE	DWN	APVD

RECOMMENDED DRILLING HOLE PATTERN



PIN LAYOUT

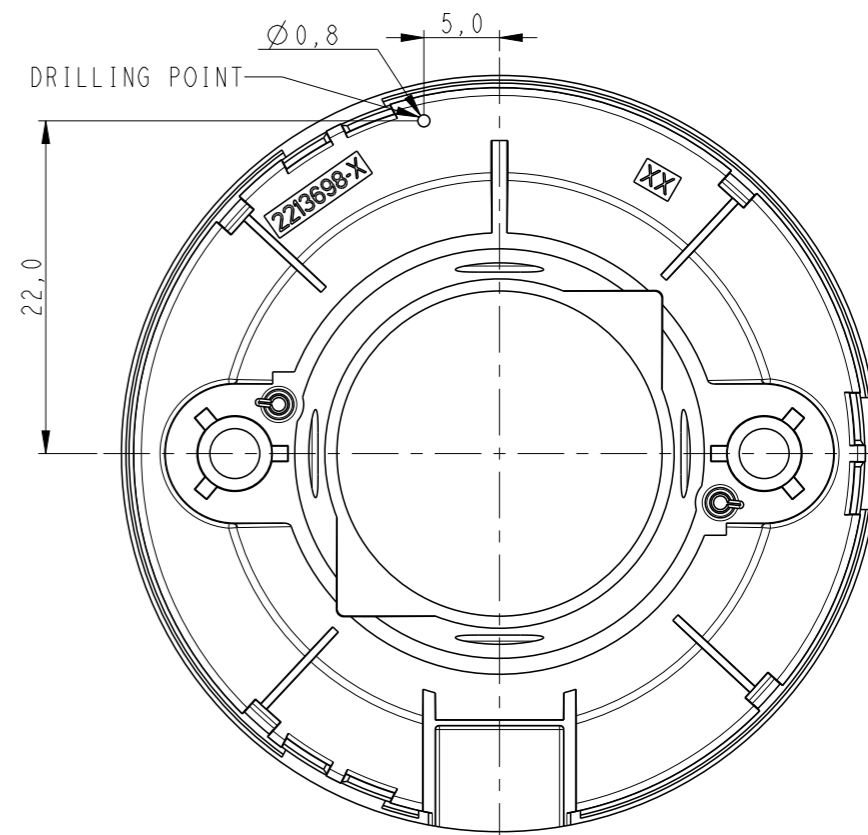
SCALE 4:1



P1	DO NOT USE
P2	GROUND
P3	48VIN (+)
P4	48VIN (-) GND

DRILLING LOCATION FOR Tc TESTING

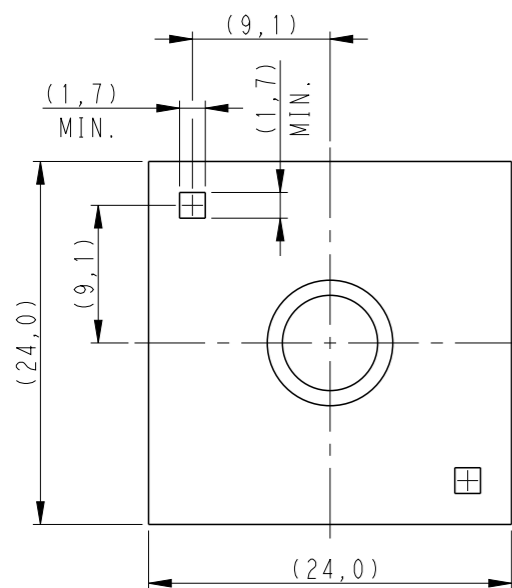
ONLY TOP COVER SHOWN



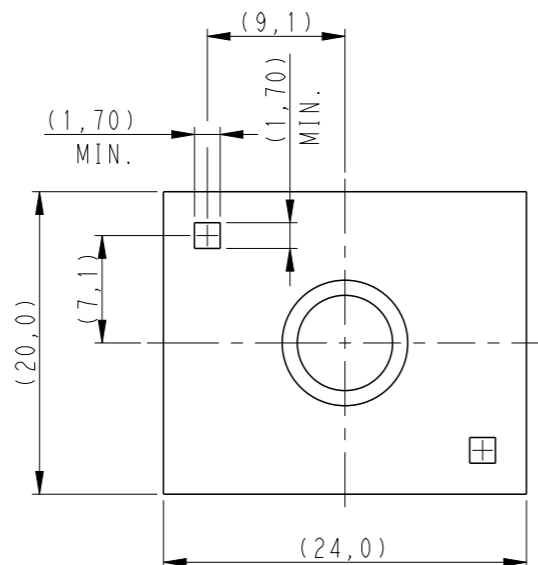
NOMINAL LED INFO:

THE SKETCH BELOW IS SHOWING THE ZHAGA BOOK 12 COB DIMENSIONS TO MATCH WITH THE LUMAWISE DRIVE TYPE Z50 LED HOLDER

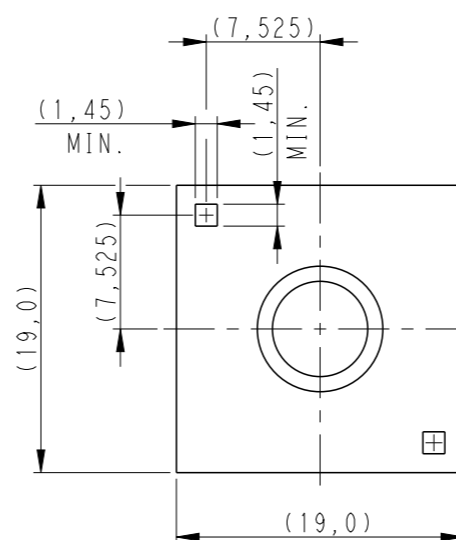
24x24 LAYOUT



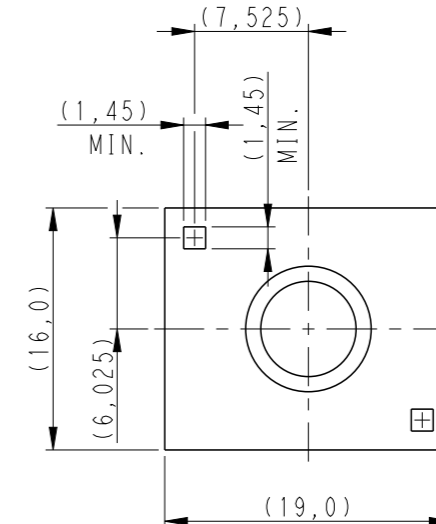
20x24 LAYOUT



19x19 LAYOUT



16x19 LAYOUT



THIS DRAWING IS A CONTROLLED DOCUMENT.

DWN SUBHASH.M 27OCT2016

CHK O.LEIJNSE 16FEB2017

APVD O.LEIJNSE 12APR2017

PRODUCT SPEC 108-133082

APPLICATION SPEC 114-133082

WEIGHT -

CUSTOMER DRAWING



TE Connectivity

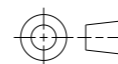
NAME LUMAWISE DRIVE TYPE Z50 ON-OFF VERSION

SIZE A3 CAGE CODE 00779 DRAWING NO C-2213699 RESTRICTED TO -

SCALE 2:1 SHEET 3 OF 3 REV C

DIMENSIONS:

mm



TOLERANCES UNLESS OTHERWISE SPECIFIED:

0 PLC	±-
1 PLC	±0.2
2 PLC	±0.1
3 PLC	±-
4 PLC	±-
ANGLES	±-
FINISH	-

MATERIAL SEE NOTES

## X-ON Electronics

Largest Supplier of Electrical and Electronic Components

*Click to view similar products for [LED Lighting Mounting Accessories](#) category:*

*Click to view products by [TE Connectivity](#) manufacturer:*

Other Similar products are found below :

[C16142\\_HEKLA-SOCKET-K](#) [3SU1401-1BG20-1AA0](#) [3SU1900-0BC31-0NB0](#) [ES16-RT](#) [1SFA616921R2042](#) [1SFA616921R2131](#)  
[1SFA616921R2133](#) [1SFA616921R2143](#) [1SFA611621R1093](#) [90100002](#) [B8910020](#) [D3980022](#) [E3990022](#) [E3990040](#) [V4840019](#) [V4850019](#)  
[CABI12 E BK 1M SET PRM](#) [FLAT8 H/U BK 1M SET PRM](#) [BEGTIN12 J/S BK 1M SET PRM](#) [1-2213678-6](#) [C16791\\_CLAMP-Z45-A](#)  
[F17250\\_SOLDER-CLIP-A](#) [CM22-4-20MA](#) [CM22-R10K-MT](#) [CM22-R1K](#) [CM22-R50K](#) [CM22-R5K-MT](#) [CM22-SLR](#) [10465](#) [M22-A](#) [M22-](#)  
[CK11](#) [M22-CK20](#) [M22G-XGPV](#) [M22-K01](#) [M22-LCH-W](#) [M22-LC-R](#) [M22-LED230-R](#) [M22-LED230-W](#) [M22-LEDC230-G](#) [M22-LEDC-G](#)  
[M22-LEDC-W](#) [M22-LED-G](#) [M22-LED-W](#) [M22-L-G](#) [M22-LH-G](#) [M22-LH-R](#) [M22-LH-W](#) [M22-L-R](#) [M22-L-W](#) [M22-L-X](#)