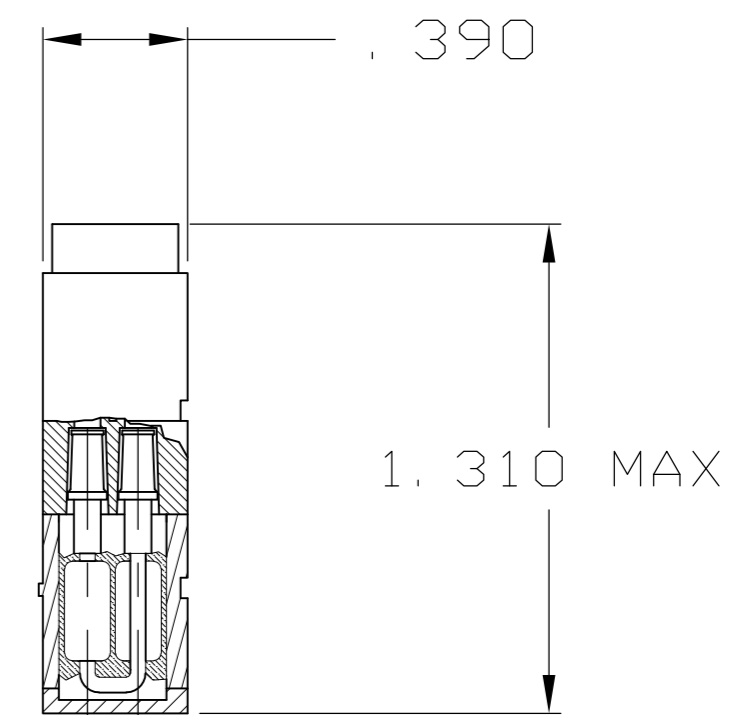
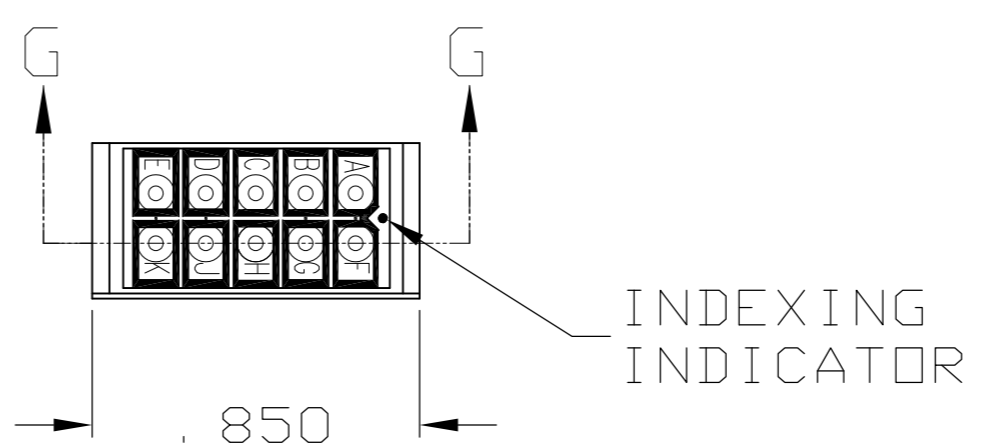
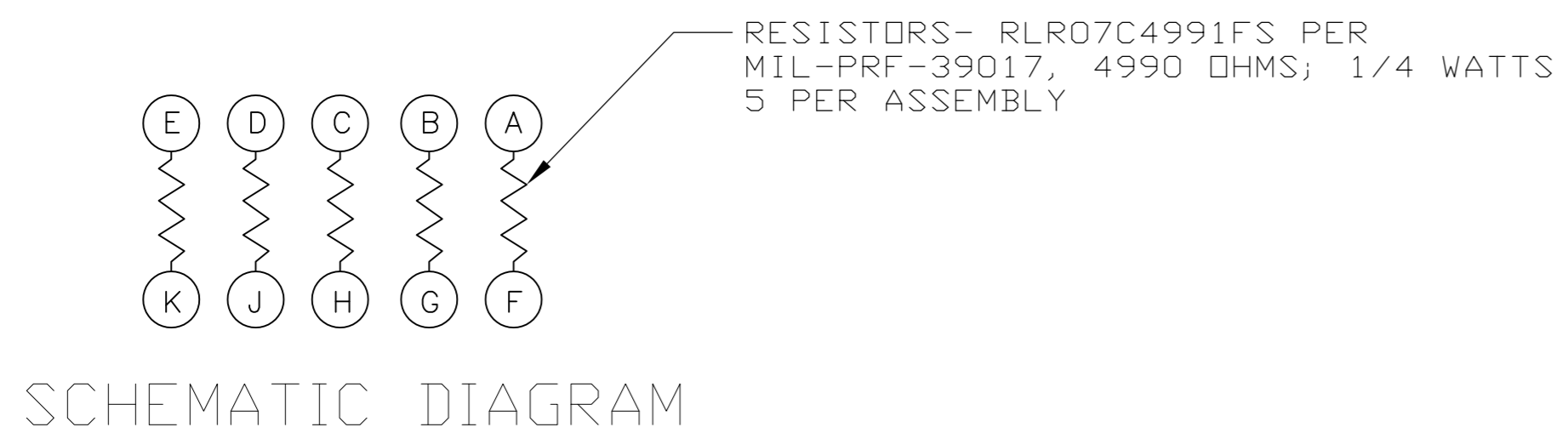


THIS DRAWING IS UNPUBLISHED.		RELEASED FOR PUBLICATION	
© COPYRIGHT - By -		ALL RIGHTS RESERVED.	
DESCRIPTION	MATERIAL	FINISH	
MODULE ASSEMBLY	THERMOSET EPOXY	COLOR: BLACK	
GROMMET	FLUORSILICONE RUBBER	COLOR: BLUE	
CONTACT SOCKET	BERYLLIUM COPPER PER QQ-C-533	GOLD PLATE PER MIL-G-45204	
RETAINING CLIP	BERYLLIUM COPPER PER QQ-C-533 OR STAINLESS STEEL PER QQ-S-766	NONE	
PIN CONTACTS	COPPER ALLOY PER MIL-C-39029/1	GOLD PLATE PER MIL-G-45204	

LDC		DIST		REVISIONS			
-	-	P	LTR	DESCRIPTION	DATE	DWN	APVD
		B		RELEASED PER ECO 12-018351	19OCT12	PY	DE



- 1 MODULE ASSEMBLY MARKED WITH "AMP", TE PART NO. AND DATE CODE .060 MINIMUM HIGH CHARACTERS AT APPROXIMATE AREA SHOWN.
2. IN ACCORDANCE WITH SAE AS81714/26 AS SHOWN.
3. SIZE 20 PIN CONTACTS, SEALING PLUGS AND INSERTION/EXTRACTION TOOL SUPPLIED WITH MODULE ASSEMBLY.

2221385-1
PART NO.

THIS DRAWING IS A CONTROLLED DOCUMENT.		DWN C. C. THOMAS 7-10-12		
DIMENSIONS: INCHES		CHK D. EABY 7-10-12		
TOLERANCES UNLESS OTHERWISE SPECIFIED:		APVD D. EABY 7-10-12	NAME	
0 PLC ± -		PRODUCT SPEC	-	
1 PLC ± -		APPLICATION SPEC	-	
2 PLC ± -		WEIGHT	-	
3 PLC ± .005		SCALE	2:1	
4 PLC ± -		SHEET	1 of 1	
ANGLES ± -		CUSTOMER DRAWING	REV B	
FINISH		MATERIAL	-	
-		SIZE	A200779C=2221385	
-		CAGE CODE	-	
-		DRAWING NO	-	
-		RESTRICTED TO	-	

X-ON Electronics

Largest Supplier of Electrical and Electronic Components

Click to view similar products for [Terminal Junction Modules](#) category:

Click to view products by [TE Connectivity](#) manufacturer:

Other Similar products are found below :

[00175510302](#) [00175520502](#) [00175530502](#) [00175510202](#) [00175510402](#) [00175520202](#) [00175520402](#) [00175520602](#) [591900-1](#) [CTJ116E01D-513](#) [CTJ-2A-01](#) [CTJ-3A-04](#) [CTJ720E01B](#) [M81714/60-20-06](#) [M81714/60-20-2](#) [M81714/60-22-01](#) [RBTB16-3W](#) [CTE220-10-102-1050](#) [CTJ-3A-03-4021](#) [CTJ-3A-06-4021](#) [CTJ-3D-10](#) [CTJ620E06N-513](#) [TJ11E-06-04](#) [TJM112701](#) [TJM116701](#) [TJM116702](#) [TJS316702](#) [YCTD160E01FC108000](#) [YHLZ-22](#) [YHLZR-45](#) [TJM120702](#) [TJM120704](#) [TJS316701](#) [YHLZE8-8](#) [YHLZ16-8](#) [YHLZ16-2](#) [CTJ716K01D](#) [TJM120601](#) [TJM120605](#) [TJS320602](#) [YCTJ420E021C098000](#) [CTD126E01A](#) [CTJ120E02C-6148](#) [CTJ120E02C-6162](#) [CTJ716E01D-6181](#) [M81714/65-20-2](#) [YHLZ-8](#) [BTJ122E05E-513](#) [BTJ120E04A-513](#) [SJM020401](#)