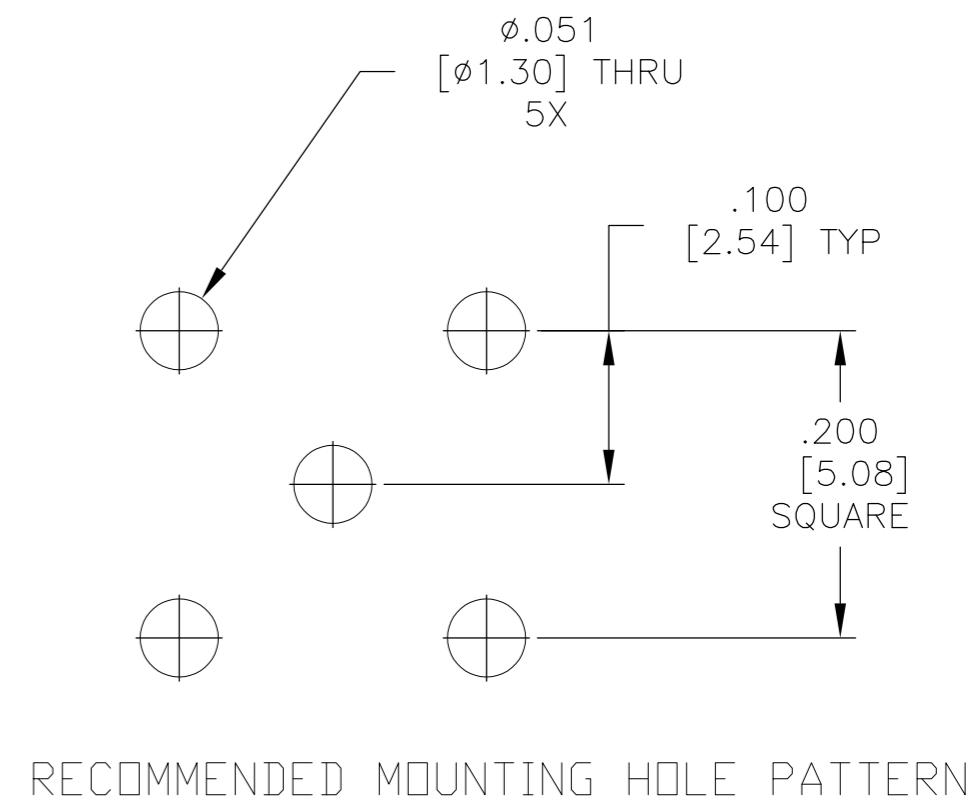
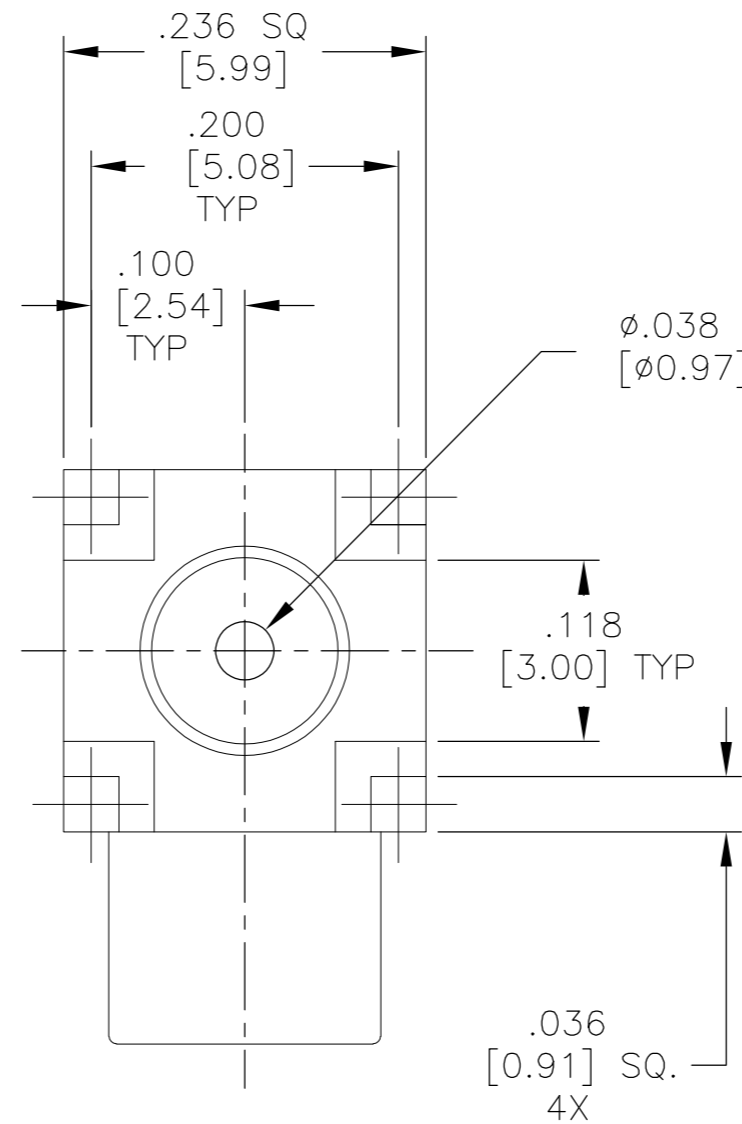
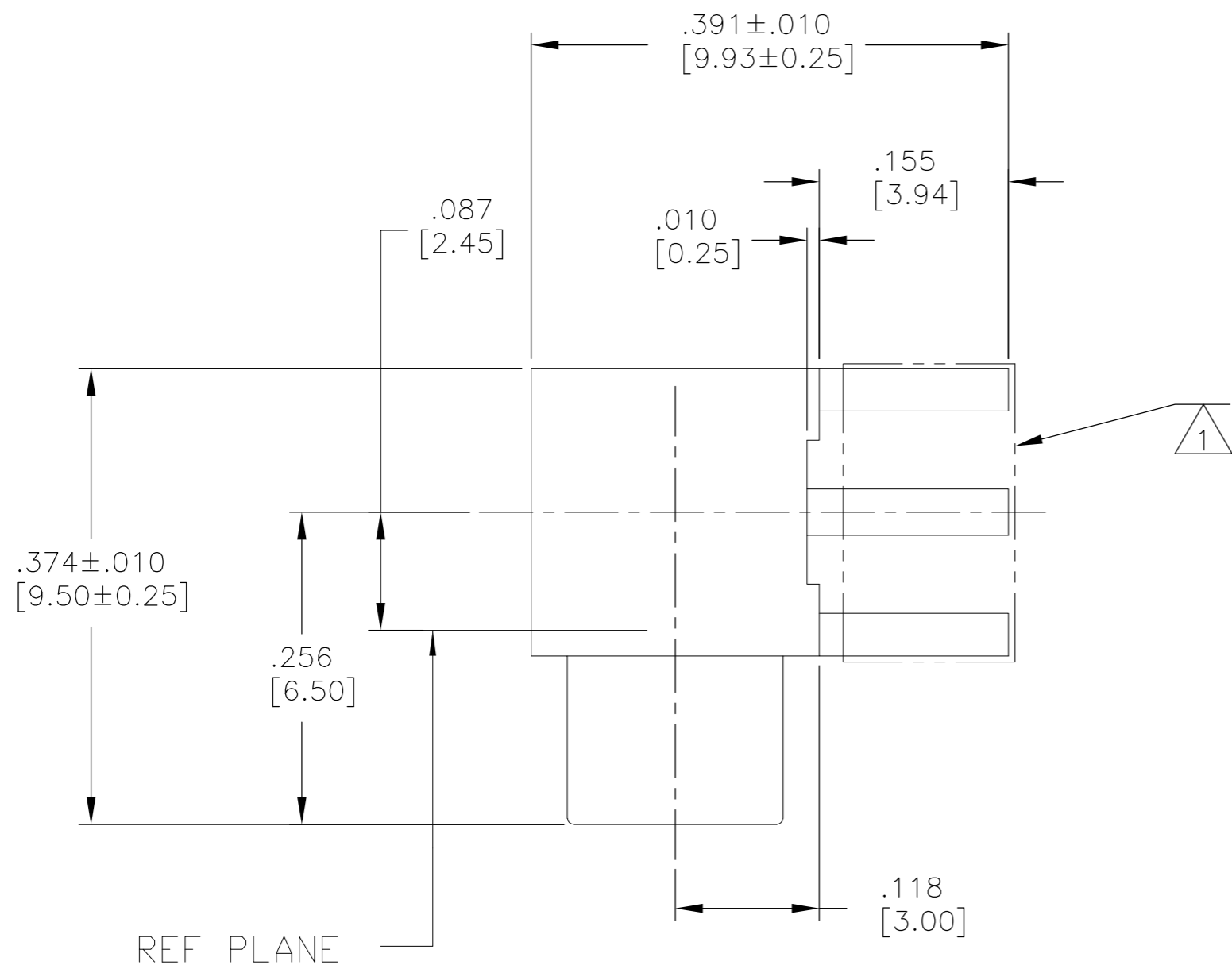


THIS DRAWING IS UNPUBLISHED. RELEASED FOR PUBLICATION
 © COPYRIGHT - By - ALL RIGHTS RESERVED.

LOC		DIST		REVISIONS			
P	LTR	DESCRIPTION	DATE	DWN	APVD		
	B	RELEASED PER ECO 14-019221	12-22-14	CT	DW		

COMPONENT	MATERIAL	FINISH
HOUSING CAP	BRASS PER ASTM-B-16 HALF HARD	NICKEL PLATE PER AMS-QQ-N-290
DIELECTRIC	TFE FLUOROCARBON PER ASTM-D-1457	N/A
CENTER CONTACT	BERYLLIUM COPPER PER ASTM B 196, ALLOY C17300, CONDITION H	GOLD PLATE PER ASTM-B-488

- 1 THIS AREA TINNED USING LEAD FREE SOLDER ALLOY I.A.W. J-STD-001.
- 2. CAPTURED CENTER CONTACT



ELECTRICAL	MECHANICAL	ENVIRONMENTAL
Nominal Impedance (Ohms) 50	Force to Engage: (Lbs) 3.4 MAX	Temperature Rating -65° to +165°C
Frequency Range (GHz) DC to 6.0	& Disengage: (Lbs) 1.77 MIN - 4.5 MAX	Vibration MIL-STD-202, Method 204, Condition B
Volt Rating (VRMS MAX) @ Sea Level 335	Center Contact Captivation Axial (Lbs) 4.5 @ 1 minute with .006" Displacement	Thermal Shock MIL-STD-202, Method 107, Condition b
VSWR 1.2:1 MAX		Moisture Resistance MIL-STD-202, Method 106
Insertion Loss .1dB MAX/1000 MHz		Corrosion - MIL-STD-202, Method 101, Condition B, 48 Hrs
Corona, 70,000 Ft (VRMS MIN) 250		
Dielectric Withstanding Voltage (VRMS MIN) @ Sea Level 1000		
Contact Resistance (Milliohms MAX) Center Contact 5.0 Outer Contact 1.0		
RF High Potential @ Sea Level (VRMS MIN @ 5 MHz) 670		
I.R.(Megohms MIN) 10,000		

2221477-1
PART NUMBER

THIS DRAWING IS A CONTROLLED DOCUMENT.		DWN C.C.THOMAS 12-22-14	TE Connectivity	
DIMENSIONS: INCHES [mm]		CHK D.WILSON 12-22-14		
TOLERANCES UNLESS OTHERWISE SPECIFIED:		APVD D.WILSON 12-22-14	NAME MCX JACK PCB RIGHT ANGLE	
0 PLC ± -	1 PLC ± -	PRODUCT SPEC	SIZE A2	CAGE CODE 00779
2 PLC ± -	3 PLC ± .005 [0.13]	APPLICATION SPEC	DRAWING NO C=2221477	RESTRICTED TO -
4 PLC ± -	ANGLES ± -		SCALE 10:1	SHEET 1 of 1
MATERIAL -	FINISH -	WEIGHT -	REV B	
CUSTOMER DRAWING				

X-ON Electronics

Largest Supplier of Electrical and Electronic Components

Click to view similar products for [RF Connectors](#) / [Coaxial Connectors](#) category:

Click to view products by [TE Connectivity](#) manufacturer:

Other Similar products are found below :

[R125315120](#) [8915-1511-000](#) [89674-0827](#) [5916-1103-603](#) [6-0001-3](#) [6001-7071-019](#) [6002-7051-003](#) [6002-7551-202](#) [6059674-1](#) [619550-1](#)
[630059-000](#) [M39012/25-0021](#) [M39012/79-3008](#) [M39030/3-01N](#) [M39030/3-03N](#) [M3933/25-36N](#) [6500-7071-046](#) [M83723/72W24576](#)
[M83723/72W2457N](#) [6769](#) [CX050L2AQ](#) [7002-1541-010](#) [7002-1572-002](#) [7003-1572-002](#) [7010-1511-000](#) [7029-1511-060](#) [7101-1541-010](#)
[7101-1571-002](#) [7105-1521-002](#) [7145-1521-002](#) [7209-1511-011](#) [7210-1511-015](#) [7210-1511-019](#) [7225-1512-050](#) [7242-1511-000](#) [73137-5015](#)
[73251-0111](#) [73251-0672](#) [7325-1512-000](#) [73276-1501](#) [73366-0013](#) [73404-2300](#) [73413-6080](#) [73415-5721](#) [7405-1521-005](#) [7405-1521-802](#)
[7406-1521-005](#) [804S01D04M040](#) [8145-1521-002](#) [81590](#)