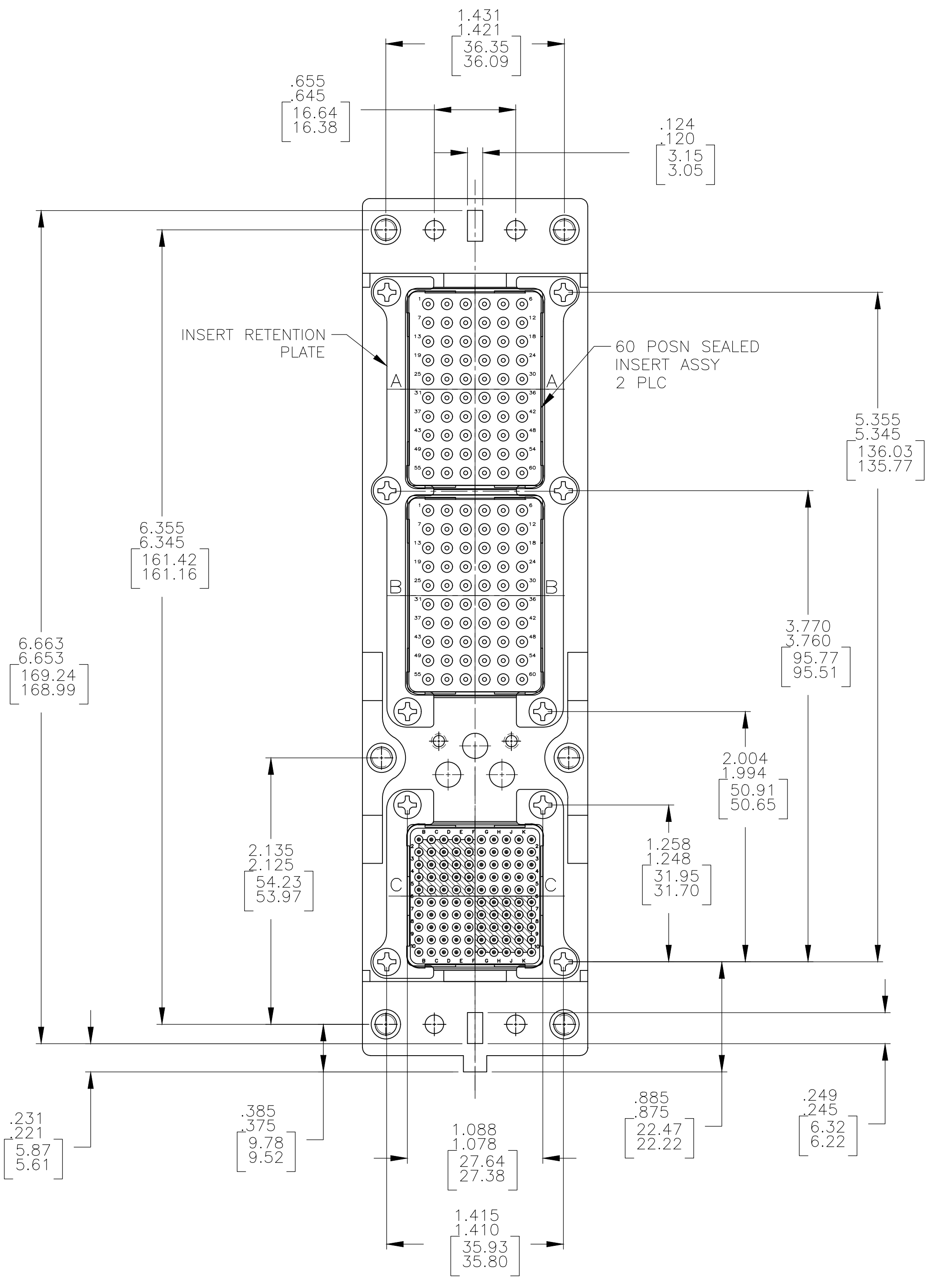
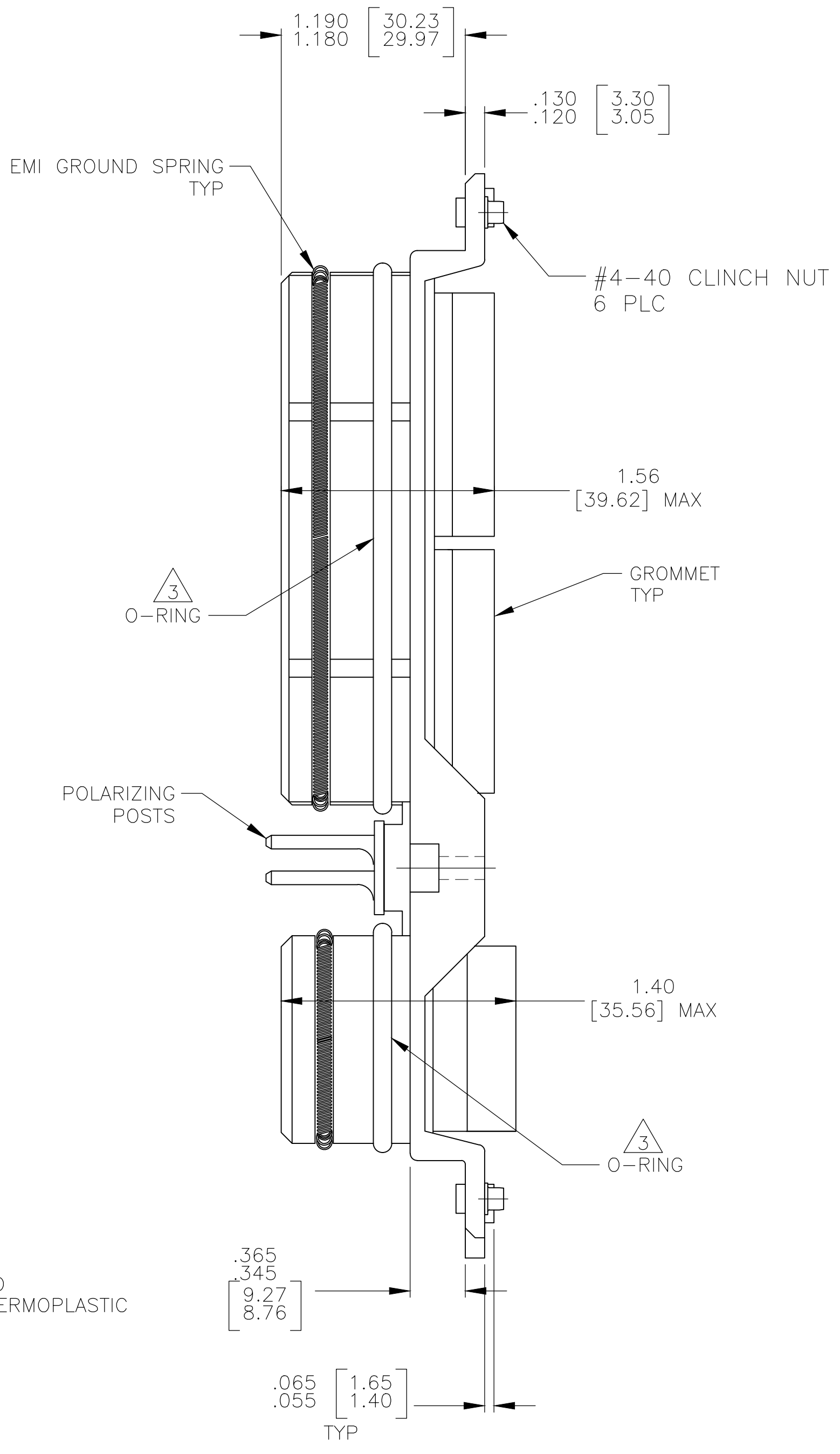
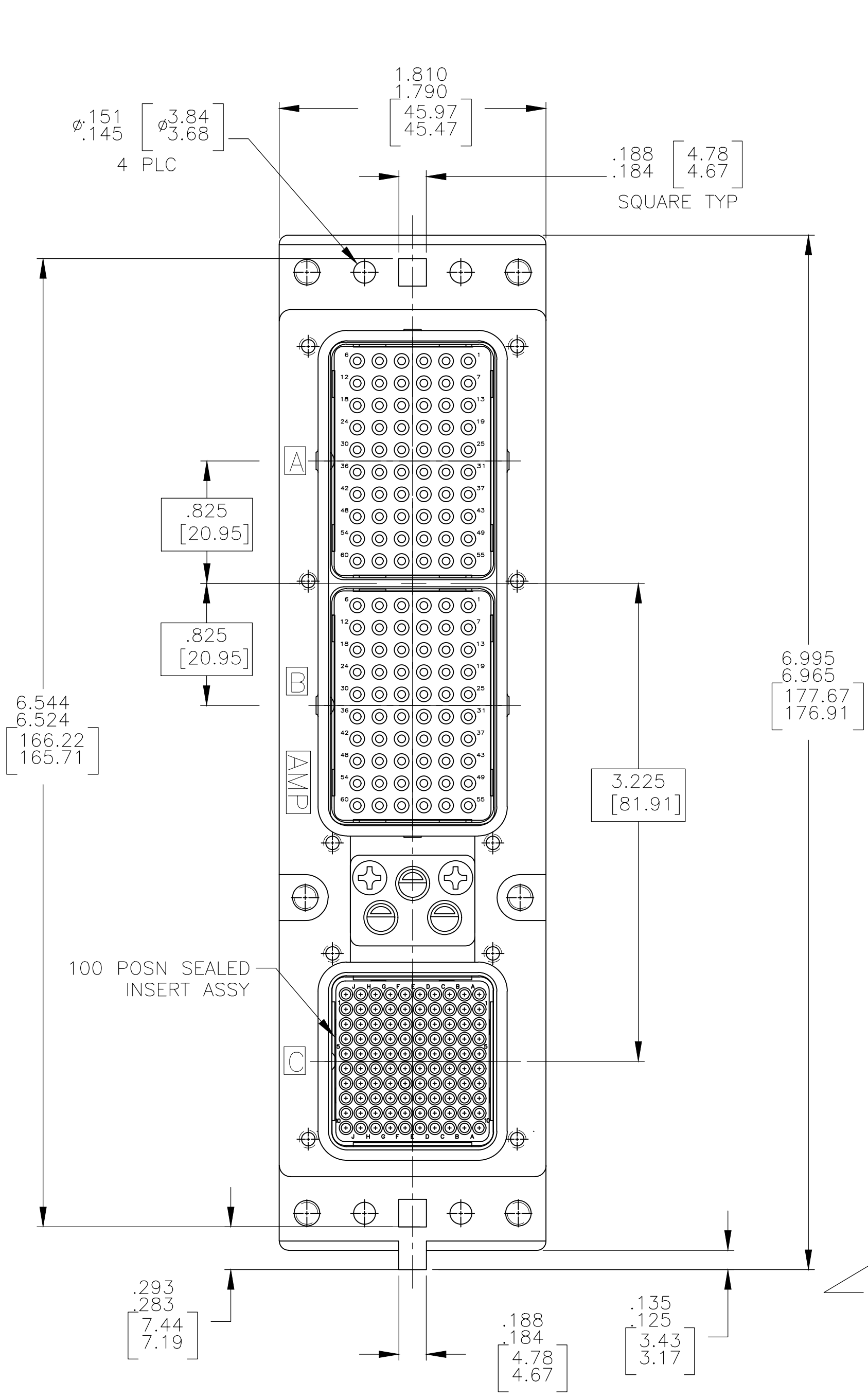


REVISIONS					
P	LTR	DESCRIPTION	DATE	DMN	APVD
C	REVISED PER	ECO-17-015513	19DEC2017	PHM	CT



- CONNECTOR DIMENSIONS ARE PER ARINC 600 SPECIFICATION
- KEYING SHOWN IN POSITION "01" FOR REFERENCE ONLY. CONNECTORS SHIPPED WITH KEYING INSTALLED IN POSITION PER TABLE FOR POSITION "00" KEYING SHIPPED UNASSEMBLED.
- O-RING LUBRICATED WITH PARKER SUPER O-RING-LUBE OR ENGINEERING APPROVED EQUIVALENT.

COMPONENT	MATERIAL	FINISH
SHELL	DIE CAST ALUMINUM PER ASTM-B-85	ELECTROLESS NICKEL PER MIL-C-26074
RETENTION PLATES	ALUMINUM ALLOY PER ASTM-B-209	ELECTROLESS NICKEL PER MIL-C-26074
SCREWS	STEEL OR STAINLESS STEEL	PASSIVATED
POLARIZING POSTS	ZINC ALLOY PER ASTM-B-86	ELECTROLESS NICKEL PER MIL-C-26074
INSERTS	THERMOSET	-
EMI GROUND SPRING	BERYLLIUM COPPER 172 (ALLOY 29)	ELECTRODEPOSITED NICKEL PER QQ-N-290
GROMMET	FLUOROSILICONE	-
POLARIZING POST RETAINING PLATE	ALUMINUM ALLOY PER ASTM-B-209	BLUE ANODIZED PER MIL-A-8625

KEYING POSITION	CONTACTS INCLUDED NOT INSTALLED	PART NUMBER
"00"	MODULE A 208267-2 (SIZE 20 SOCKET CONTACT; QTY=60) MODULE B 208267-2 (SIZE 20 SOCKET CONTACT; QTY=60) MODULE C 208262-3 (SIZE 22 PIN CONTACT; QTY=100)	2221548-1

THIS DRAWING IS A CONTROLLED DOCUMENT.		DMN C.C.THOMAS 11-9-12	TE Connectivity
DIMENSIONS: INCHES		CHK W.BERNHART 11-9-12	
TOLERANCES UNLESS OTHERWISE SPECIFIED:		APVD W.BERNHART 11-9-12	NAME PLUG ASSY, SIZE 2, ARINC 600, (60/60/100)
0 PLC	± .005	PRODUCT SPEC	APPLICATION SPEC
1 PLC	± .005	SIZE	CAGE CODE
2 PLC	± .005	DRAWING NO	RESTRICTED TO
3 PLC	± .005	WEIGHT	A1 00779 C=2221548
4 PLC	± .005	CUSTOMER DRAWING	SCALE 3:2 SHEET 1 OF 1 REV C
ANGLES	± .005		

X-ON Electronics

Largest Supplier of Electrical and Electronic Components

Click to view similar products for [Rack & Panel Connectors](#) category:

Click to view products by [TE Connectivity](#) manufacturer:

Other Similar products are found below :

[00170420102](#) [00171420202](#) [00171440002](#) [008026165000265](#) [02-014-013-5200-000](#) [613467-000](#) [CTJ112E01E-513](#) [CTJ116E03A-513](#)
[M81714/63-22S L/C](#) [M81714/65-12-1](#) [66020-2](#) [CW8958-000](#) [699886-000](#) [D250-50632](#) [70.400.3240.0](#) [70.955.2453.3](#) [733753-000](#) [F22831-000](#) [780-522-DPX34RG8-02](#) [MMA25-0341D1](#) [8660-501](#) [87.060.0053.0](#) [900709N001](#) [QRP4-12P-C\(01\)](#) [QR/P6-6S-C\(01\)](#) [1218600-1](#) [D-659-0061](#) [DMC-MD 24 C-T](#) [1-445717-6](#) [1484398-2](#) [1484399-2](#) [1484469-2](#) [MR-34MG](#) [1604997-2](#) [1663130-1](#) [1663767-7](#) [1663767-8](#) [MTC100-BF1-P31CS015](#) [MTC100-KT2-0083](#) [MTC100-KT2-0123-003](#) [MTC100-YA1-005](#) [MTCB1X-105-XXX](#) [MTCQKT1R2PGCA](#) [MTCR-103-04S](#) [MTCX1X-100-100CS025](#) [1738331-1](#) [1757667-1](#) [1883433-1](#) [1996636-1](#) [201784-4](#)