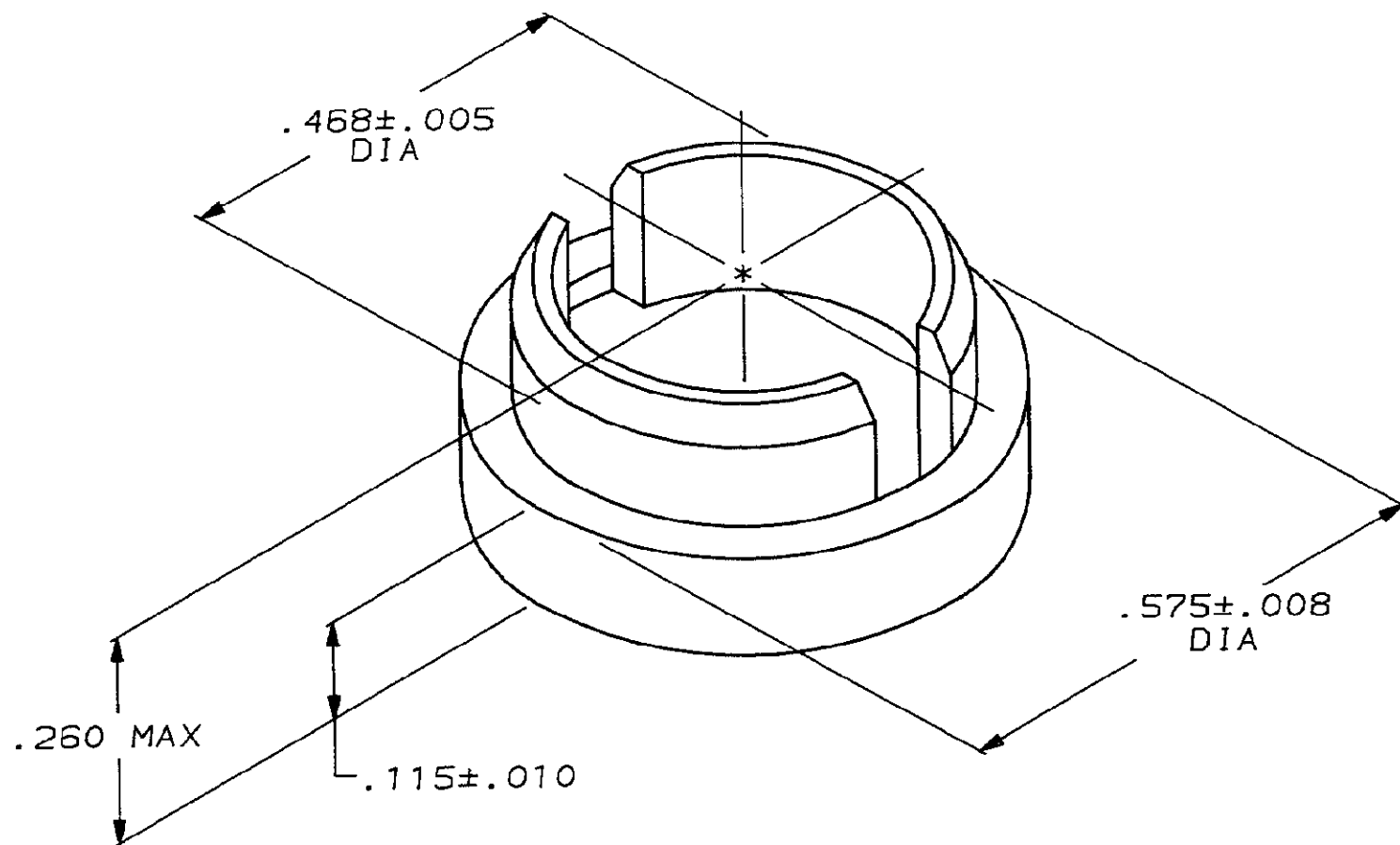


DRAWING MADE IN THIRD ANGLE PROJECTION

THIS DRAWING IS UNPUBLISHED. RELEASED FOR PUBLICATION .19  
 © COPYRIGHT 19 BY AMP INCORPORATED, HARRISBURG, PA. ALL INTERNATIONAL RIGHTS RESERVED. AMP PRODUCTS MAY BE COVERED BY U.S. AND FOREIGN PATENTS AND/OR PATENTS PENDING.

MOD 3 LOC AJ DIST 16

P		F		REVISIONS			DATE	APPROVED
ZONE	LTR	DESCRIPTION		DATE	APPROVED			
✓	✓	0	PR 86-3347-032		3-2-87	MS/DH		
✓	✓	A	REV PER AJ-2604		3-23-87	TS/REC		
		B	REV PER AJ-2776		1/9/87	[Signature]		



1. RECOMMENDED PANEL CUTOUT -  $.485 \pm .003$  DIA.
2.  $.125$  MAX PANEL THICKNESS.

222163-1

PART NO

UNLESS OTHERWISE SPECIFIED DIMENSIONS ARE IN INCHES  
 TOLERANCES ON:  
 2 PL DEC ± \_\_\_\_\_  
 3 PL DEC ± \_\_\_\_\_  
 ANGLES ± \_\_\_\_\_

DR M. SNEED 3-2-87  
 CHK D.S. HEIDE 3-6-87  
 APPD R.E. CAPP 3-6-87

**AMP**

AMP INCORPORATED  
 Harrisburg, Pa. 17105

MATERIAL  
 POLYPROPYLENE  
 GENERAL PURPOSE

APPD M. SNEED 3-9-87  
 PRODUCT SPEC \_\_\_\_\_

NAME  
**BUSHING, INSULATING**

FINISH \_\_\_\_\_

APPLICATION SPEC \_\_\_\_\_

SIZE **B** FSCM NO 00779 DRAWING NO 222163

WEIGHT \_\_\_\_\_

SCALE 5:1 SHEET 1 OF 1

## X-ON Electronics

Largest Supplier of Electrical and Electronic Components

*Click to view similar products for [RF Connector Accessories](#) category:*

*Click to view products by [TE Connectivity](#) manufacturer:*

Other Similar products are found below :

[89674-0712](#) [F702RX24](#) [FERRULE-174](#) [R141802000](#) [R141805000](#) [R141842000](#) [R161862000](#) [R161862000W](#) [R280752000](#) [R280907000](#)  
[R694261906](#) [RFI21-13](#) [RFI75-13-D2](#) [RFI75-4-D2](#) [AX102906](#) [AX102907](#) [18097-0013](#) [HP-375](#) [HP-500](#) [2098-0294-00](#) [2098-3251-94](#) [KA-](#)  
[81-05](#) [89674-0805](#) [F1](#) [FERRULE-223](#) [202102-11](#) [213337-1](#) [220222-2](#) [24092671A](#) [24092678A](#) [R161841000](#) [R280468000](#) [R280510000](#)  
[R282862060](#) [RFI155-1](#) [RFI25-12-D3](#) [RFI25-5](#) [RFI25-5-D3](#) [RFI75-12-D2](#) [RFI75-2-D2](#) [RFI75-4-D3](#) [RFI77-6](#) [360HS001M2508M6](#) [4-](#)  
[1532137-4](#) [5-21085-0](#) [105274-1000](#) [111062-0490](#) [112122-SOD-LUG](#) [112-NUT-KNURL](#) [IPP-2014](#)