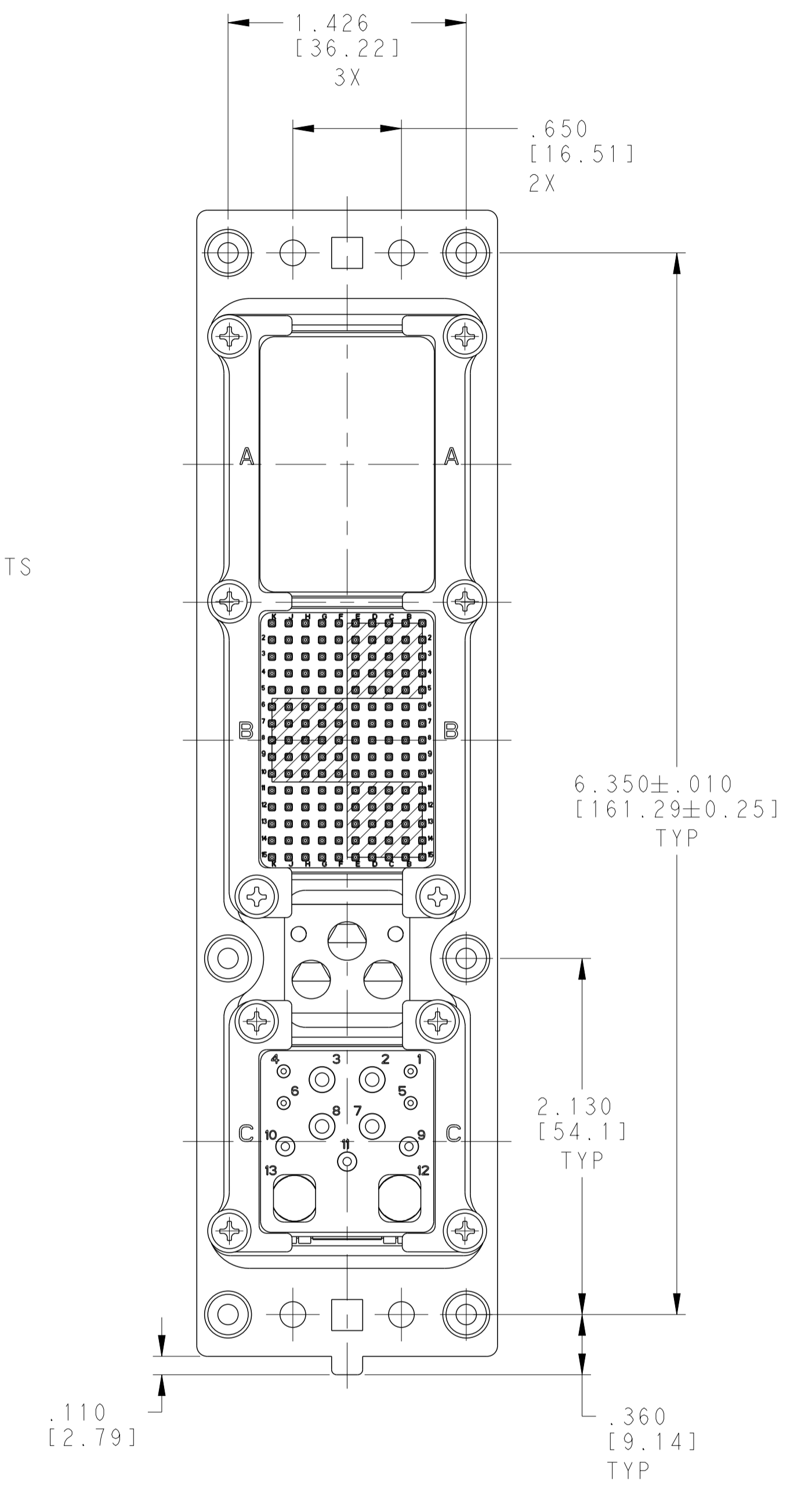
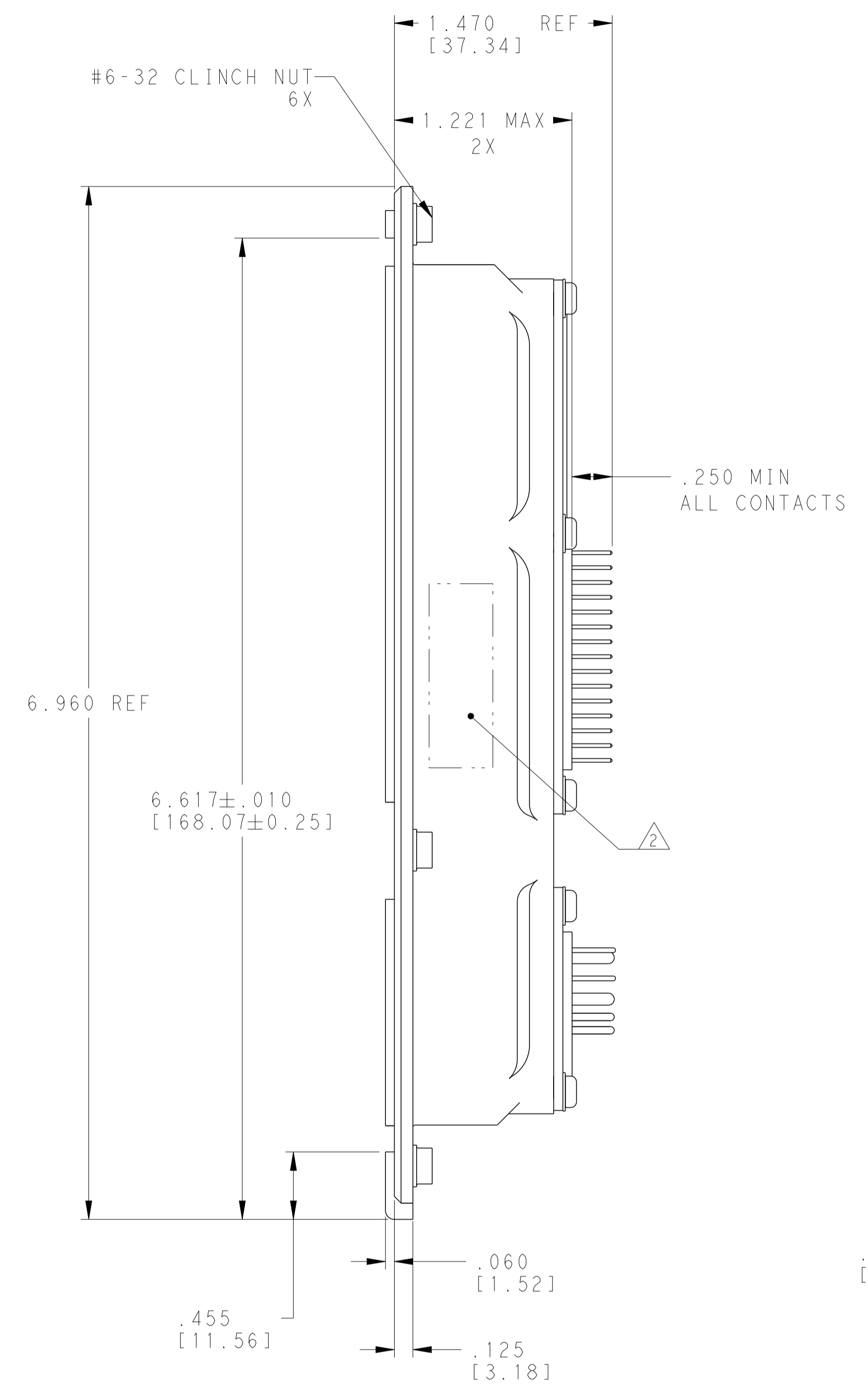
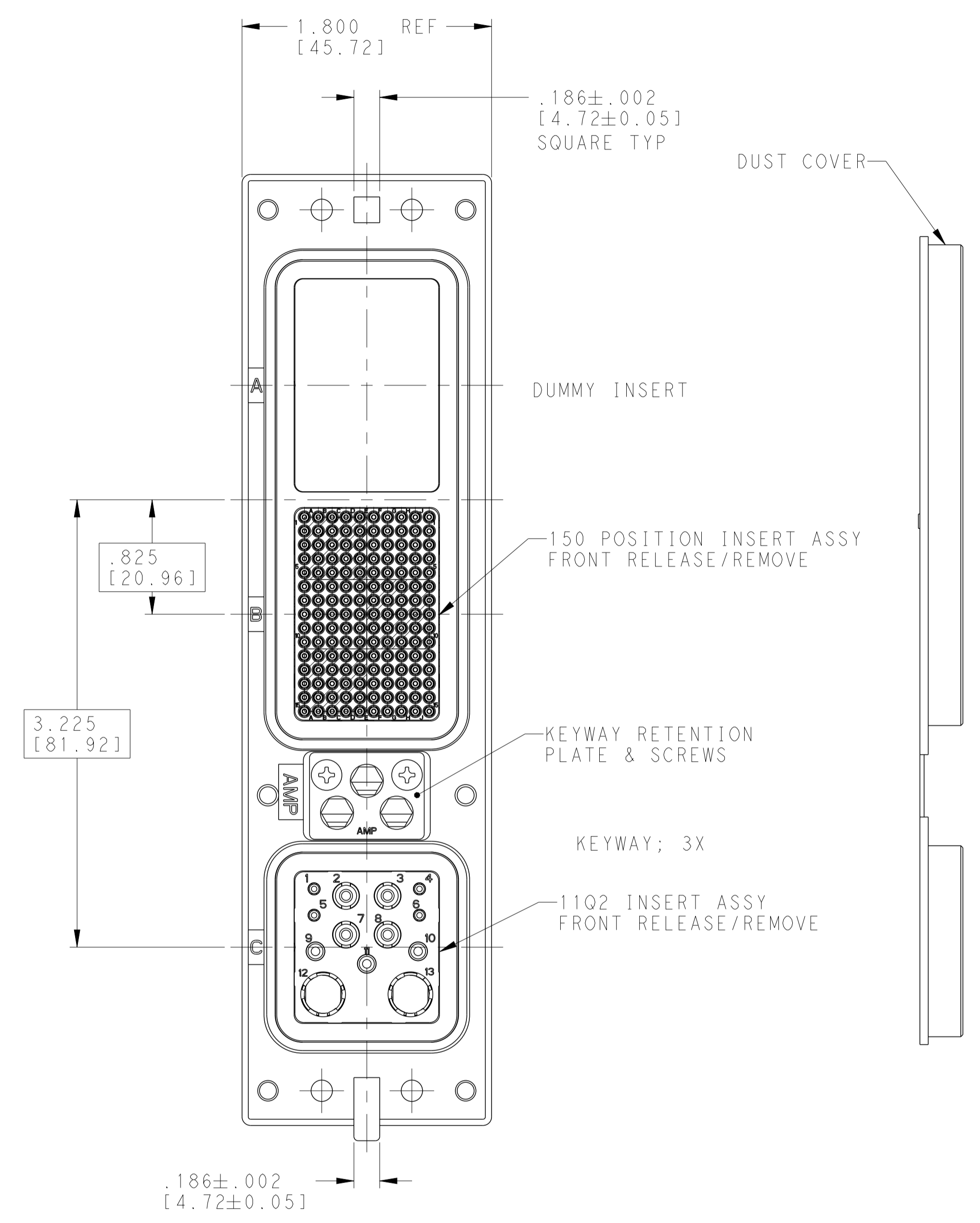


REVISIONS				
P	LTN	DESCRIPTION	DATE	APVD
C		REV PER ECO 14-009912	7-7-14	CT WB
D		REVISED PER ECO-14-018872	14JAN15	MGM CT



- 1 ASSEMBLED CONNECTOR FEATURES COMPLY WITH ARINC 600 SPECIFICATION EXCEPT AS NOTED.
- 2 MANUFACTURER'S PART NO. AND DATE CODE (YY-WW) MARKED IN AREA SHOWN.
- 3. KEYING SHOWN IN POSITION "01" FOR REFERENCE ONLY. SEE TABLE FOR KEYING POSITION. FOR POSITION "00" KEYING SHIPPED UNASSEMBLED.
- 4. THE FOLLOWING CONTACTS ARE INCLUDED AND INSTALLED:
 SIZE 22 POSTED SOCKET CONTACT; TE PART NO. 211431-4; QTY = 150
 SIZE 20 POSTED PIN CONTACT; TE PART NO. 1-448138-5; QTY = 4
 SIZE 16 POSTED PIN CONTACT; TE PART NO. 1-448139-1; QTY = 3
 SIZE 12 POSTED PIN CONTACT; TE PART NO. 448140-3; QTY = 4
- 5. CONNECTOR IS SUPPLIED WITH A DUST COVER INSTALLED FOR SHIPPING.

DESCRIPTION	KEYING POSITION	PART NO.
WITH STAMP & FORMED SZ 22 NON-REMOVABLE CONTACTS SEE SHEET #2	"00"	2221808-2
WITH STD SZ 22 REMOVABLE CONTACTS SEE SHEET #1	"00"	2221808-1

THIS DRAWING IS A CONTROLLED DOCUMENT.

DWN: C.C. THOMAS 1-29-14
 CHK: W. BERNHART 1-29-14
 APVD: W. BERNHART 1-29-14

DIMENSIONS: [INCHES(mm)]
 TOLERANCES UNLESS OTHERWISE SPECIFIED:
 0 PLC ±
 1 PLC ±
 2 PLC ±
 3 PLC ±.005 (0.13)
 4 PLC ±
 ANGLES ±
 FINISH ±

MATERIAL: -
 FINISH: -

WEIGHT: -
 Customer Drawing

NAME: RECEPTACLE ASSEMBLY, SIZE 2, ARINC 600, (BLANK/150/11Q2)
 APPLICATION SPEC: -
 PRODUCT SPEC: -

SIZE: A1
 CAGE CODE: 00779
 DRAWING NO: 2221808

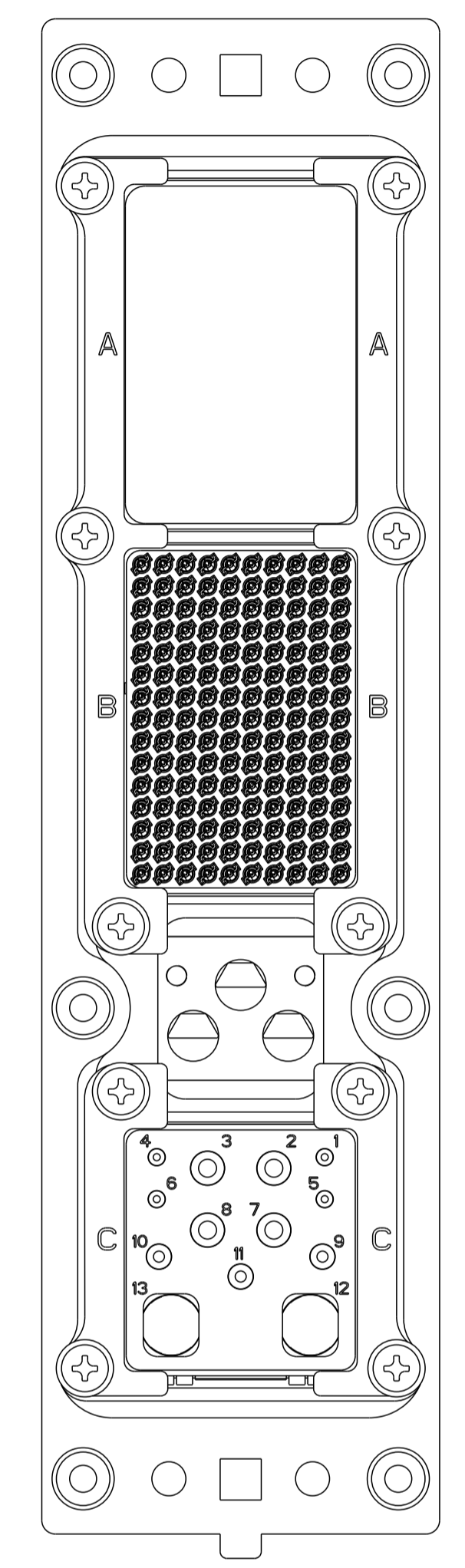
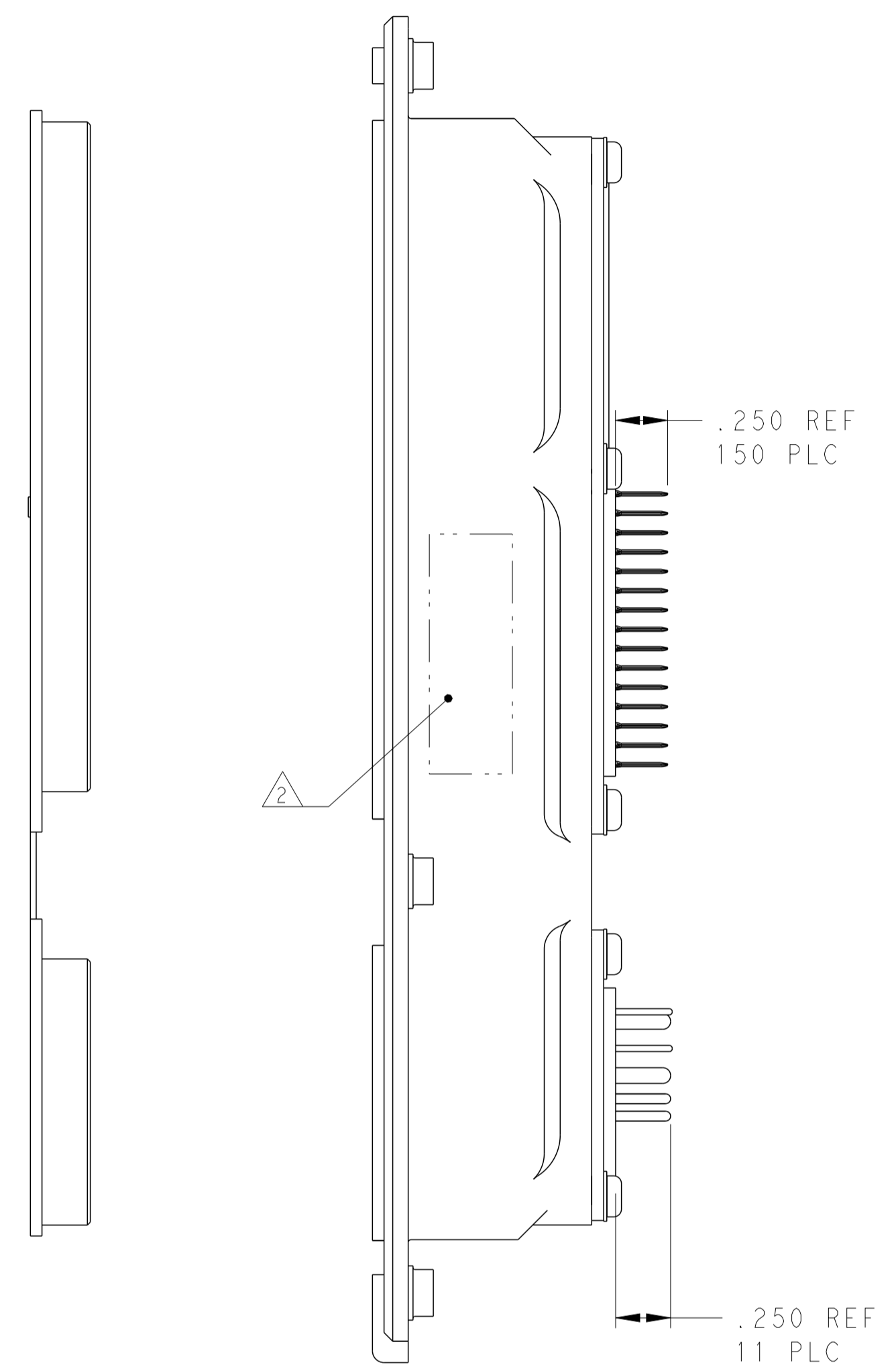
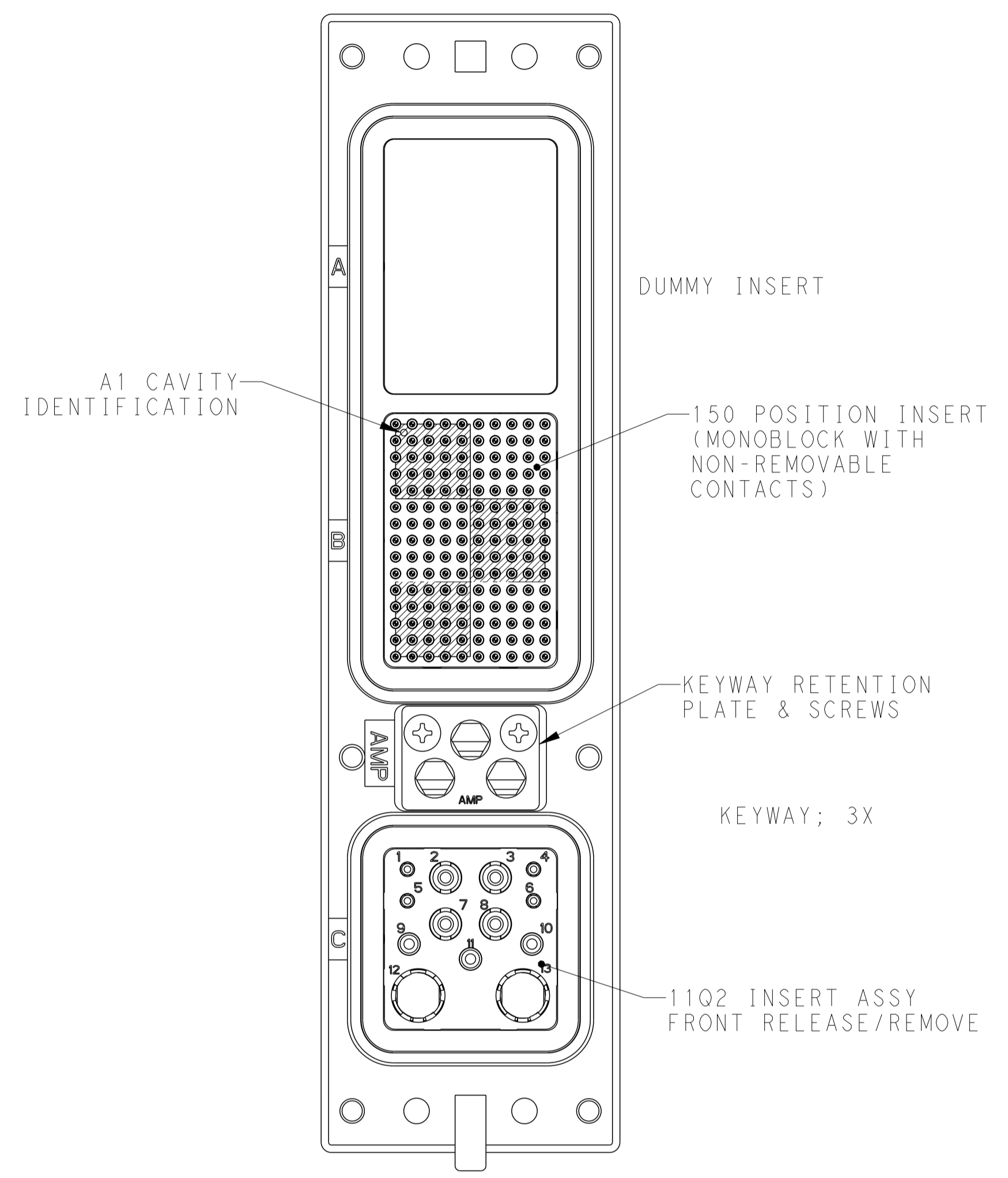
RESTRICTED TO: -

SCALE: 3:2
 SHEET: 1 OF 2
 REV: D

TE Connectivity

REVISIONS				
P	LTN	DESCRIPTION	DATE	APVD
-	-	SEE SHEET 1	-	-

DIMENSIONS SAME AS -1
EXCEPT AS SHOWN



COMPONENT	MATERIAL	FINISH	REMARKS
SIZE 22 STAMPED AND FORMED SOCKET CONTACTS QTY = 150 (-2 ONLY)	BODY: COPPER ALLOY HOOD: STAINLESS STEEL	BODY: .000050 [0.00127] MIN GOLD ON MATING TINES, SnPb ON TAIL, BOTH OVER NICKEL PLATE HOOD: PASSIVATED	NON REMOVEABLE (150 POSN. INSERT)
150 POSITION INSERT (-2 ONLY)	THERMOPLASTIC	NONE	ONE PIECE DESIGN WITH NON-REMOVABLE CONTACTS
11Q2 POSITION INSERT	THERMOSET	--	ALL FRONT RELEASE/REMOVE
POLARIZATION KEYWAY	ZINC ALLOY PER ASTM-B-86	--	--
KEYWAY RETAINER PLATE	ALUMINUM ALLOY	BLUE ANODIZED PER MIL-A-8625	--
#6-32 CLINCH NUT QTY = 6	STEEL	CADMIUM PLATED WITH SUPP YELLOW CHROMATE	--
SHELL	ALUMINUM ALLOY PER ASTM-B-85	ELECTROLESS NICKEL PER MIL-C-26074 CLASS 4, GRADE B	--
RETENTION PLATES	ALUMINUM ALLOY PER ASTM-B-209	--	--

- 1. ASSEMBLED CONNECTOR FEATURES COMPLY WITH ARINC 600 SPECIFICATION EXCEPT AS NOTED.
- 2. MANUFACTURER'S PART NO. AND DATE CODE (YY-WW) MARKED IN AREA SHOWN.
- 3. KEYING SHOWN IN POSITION "01" FOR REFERENCE ONLY. SEE TABLE FOR KEYING POSITION. FOR POSITION "00" KEYING SHIPPED UNASSEMBLED.
- 4. THE FOLLOWING CONTACTS FOR THE 11Q2 POSITION INSERT ARE INCLUDED AND INSTALLED:
 SIZE 20 POSTED PIN CONTACT; TE PART NO. 1-448138-5; QTY = 4
 SIZE 16 POSTED PIN CONTACT; TE PART NO. 1-448139-1; QTY = 3
 SIZE 12 POSTED PIN CONTACT; TE PART NO. 448140-3; QTY = 4
- 5. CONNECTOR IS SUPPLIED WITH A DUST COVER INSTALLED FOR SHIPPING.

THIS DRAWING IS A CONTROLLED DOCUMENT.

DIMENSIONS: [INCHES(mm)]	TOLERANCES UNLESS OTHERWISE SPECIFIED:	0 PLC ±	1 PLC ±	2 PLC ±	3 PLC ±	4 PLC ±	ANGLES ±	FINISH
		±.005 (0.13)	±.005 (0.13)	±.005 (0.13)	±.005 (0.13)	±.005 (0.13)	±.005 (0.13)	±.005 (0.13)

MATERIAL: - FINISH: - WEIGHT: -

Customer Drawing

APVD: C.C. THOMAS 1-29-14
 CHK: W. BERNHART 1-29-14
 NAME: W. BERNHART 1-29-14

STE TE Connectivity

RECEPTACLE ASSEMBLY, SIZE 2, ARINC 600, (BLANK/150/11Q2)

SIZE: A1 CAGE CODE: 00779 DRAWING NO: 2221808 RESTRICTED TO: -

SCALE: 1:1 SHEET 2 OF 2 REV D

X-ON Electronics

Largest Supplier of Electrical and Electronic Components

Click to view similar products for te connectivity manufacturer:

Other Similar products are found below :

[570416-000](#) [CLTEQ-M81CE-SSRELAY-4-20V](#) [D38999/24FJ4AN](#) [358838-000](#) [4-1195131-0](#) [650069-000](#) [SMD100-2](#) [CB-1022B-78](#)
[RM707012](#) [RP410012](#) [MMS42](#) [1-640426-8](#) [2EDL4CM](#) [DTS20W19-11PD-3028-LC](#) [RM202615](#) [NC6-P104-06](#) [MSPS103B](#) [DTS26F21-41AE](#) [DTS26F21-41PE-LC](#) [DTS26F21-11SE-3028-LC](#) [1932144-1](#) [293545-4](#) [LVR125S](#) [MS27466T25F4PB](#) [CKB-38-78010](#)
[1206SFF150F/63-2](#) [D38999/20JB35HA](#) [D38999/24WJ20PA](#) [1754138-1](#) [TE1500A2R2J](#) [DTS24F25-29PC-3028-LC](#) [D38999/24WG11HA](#)
[D38999/24WG11HN](#) [MS27467T21F11H](#) [DJT16E21-11HA](#) [1206SFH150F/24-2](#) [DTS24F19-11SC-3028-LC](#) [DTS24F21-41HN-LC](#)
[DTS24F21-41AN](#) [DTS24F21-41PN-LC](#) [RP330024](#) [MS27467T21F35J](#) [MS27467T21F11J](#) [MS27467T21F16H-LC](#) [MS27467T21F35H](#)
[MS27467T21F41H-LC](#) [DJT16E21-11PA-LC](#) [DJT16E21-11HA-LC](#) [DJT16E21-11AA](#) [MS27467T21B11JA](#)