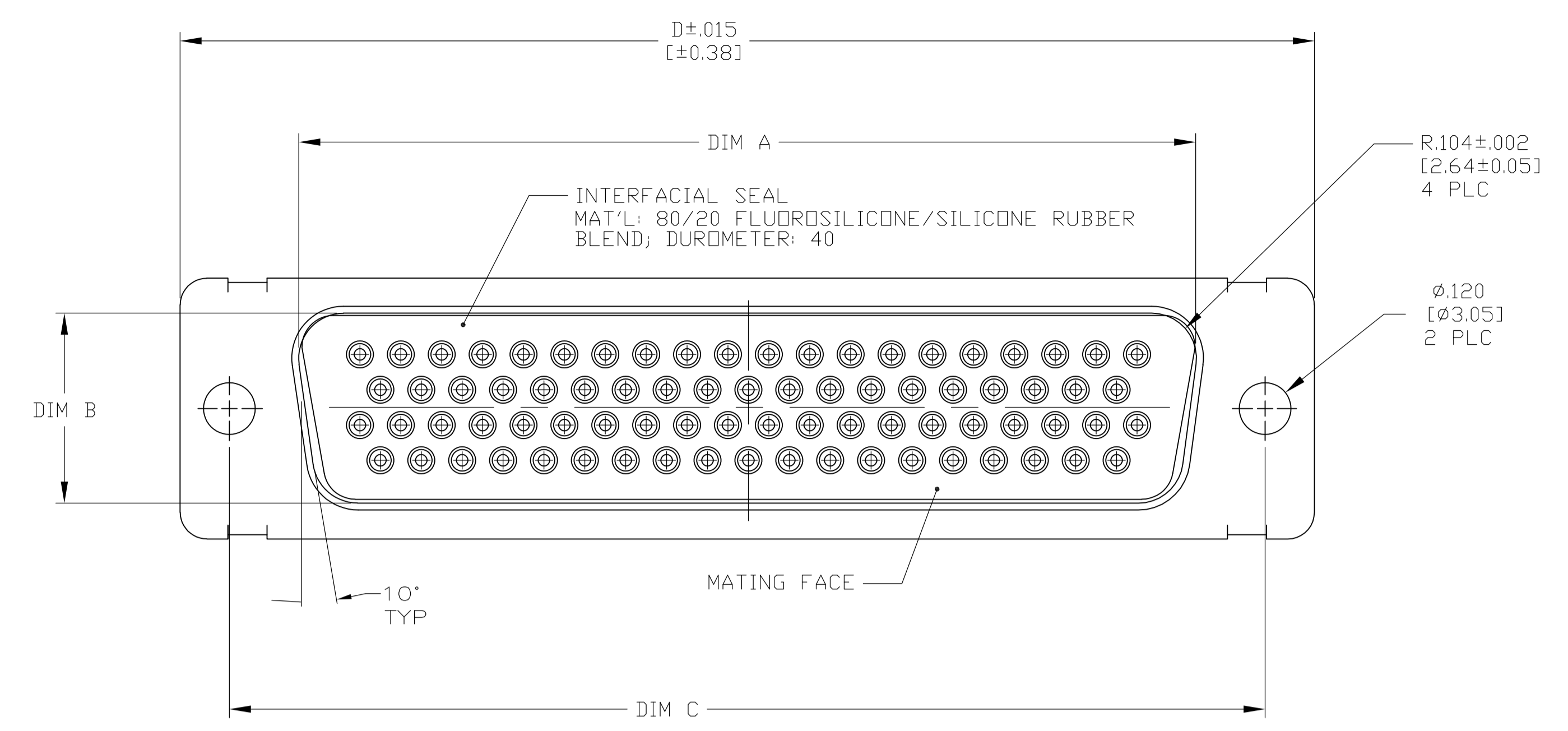


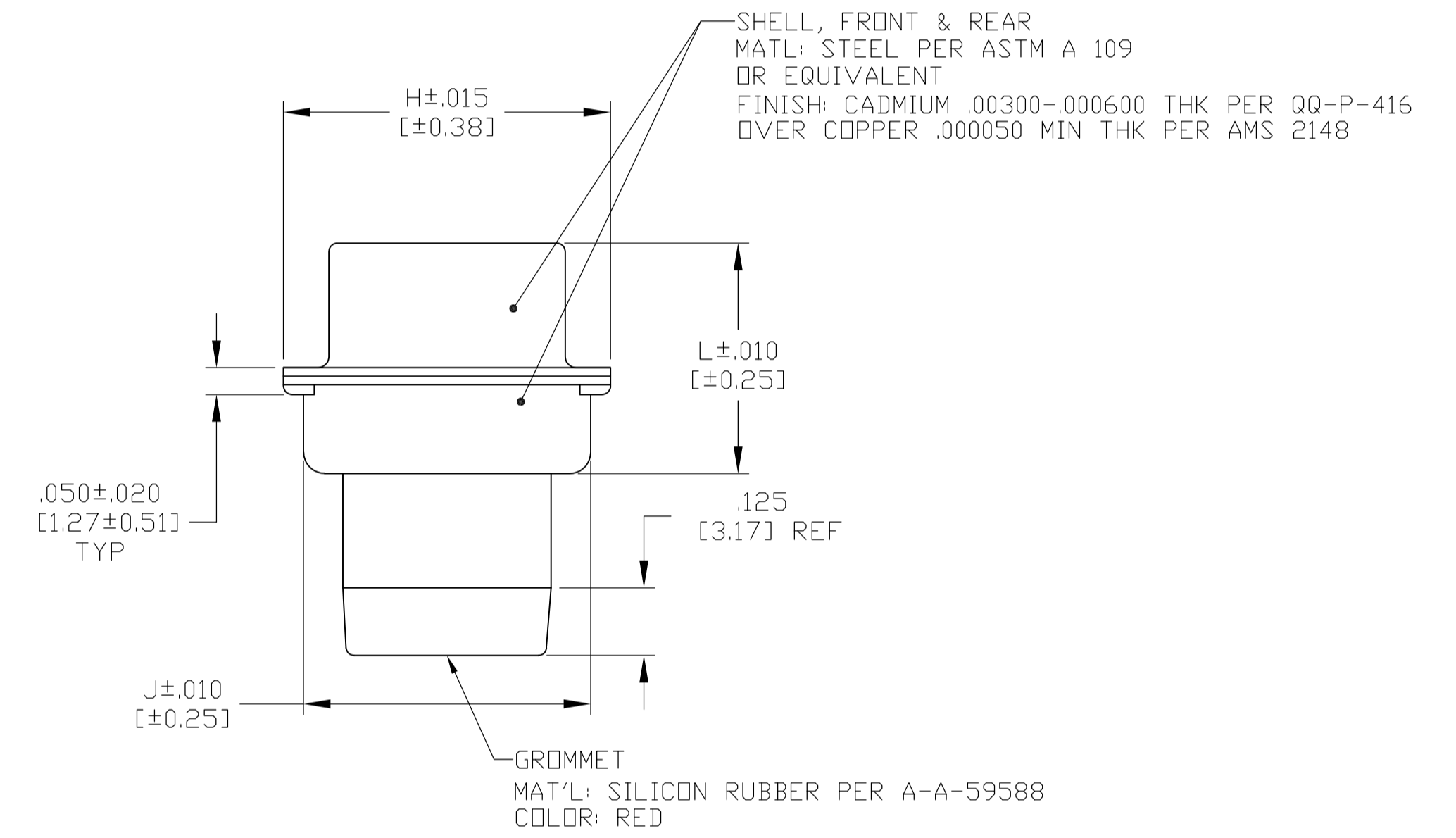
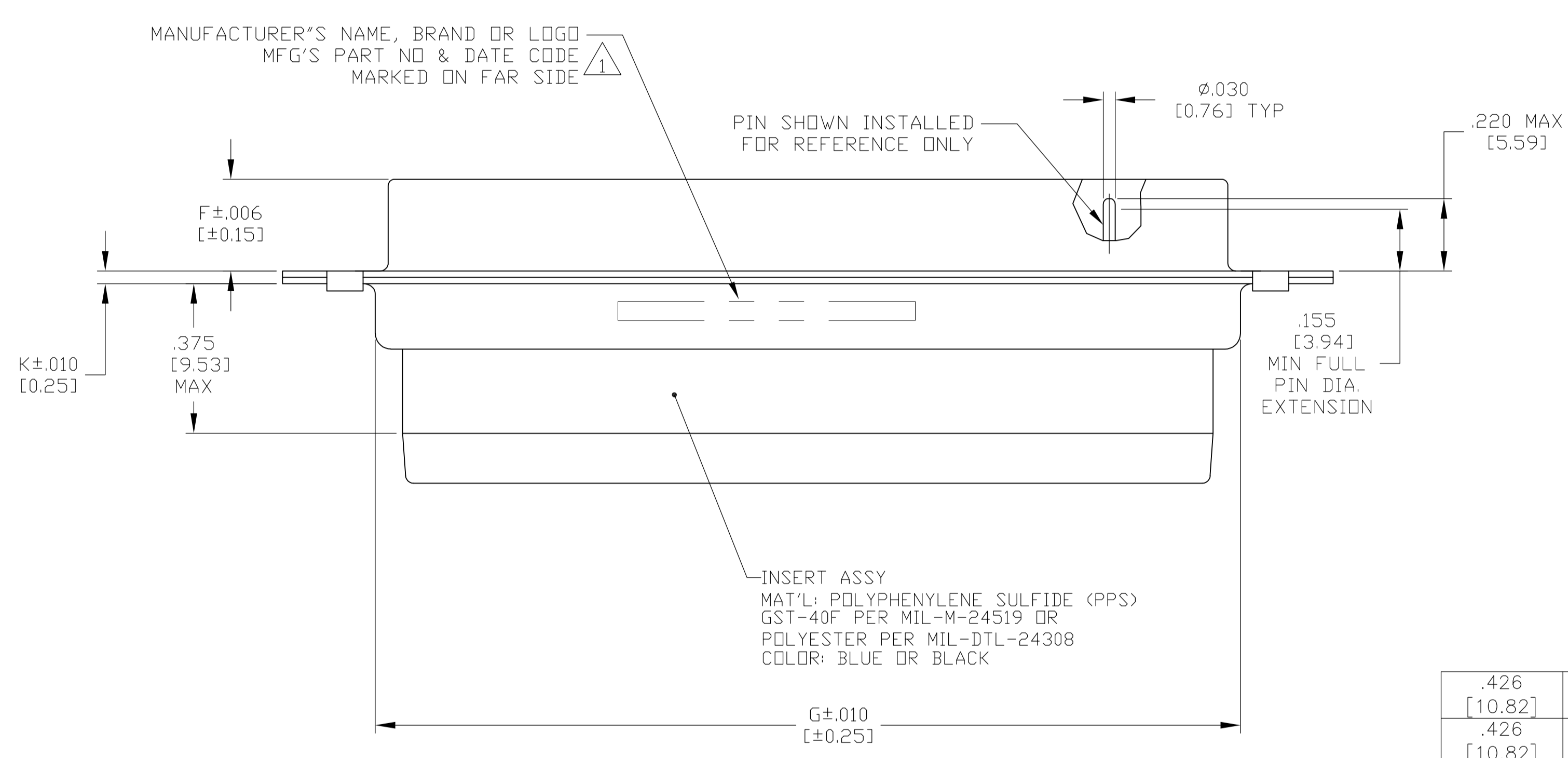
REVISIONS				
REV	DESCRIPTION	DATE	BY	APP'D
D1	REV PER ECO 17-011144	8-16-17	CT	DM



- MARKED WITH .047 [1.19] HIGH CHARACTERS. FAR SIDE REFERS TO WIDE SIDE OF KEYSTONE, NEAR SIDE REFERS TO NARROW SIDE OF KEYSTONE.
- THIS ASSEMBLY IS DESIGNED TO CONFORM TO THE LATEST ISSUE OF MIL-DTL-24308.
- MAXIMUM WIRE INSULATION USED WITH THIS CONNECTOR IS .054 [1.37] DIAMETER WITH GROMMET
- METAL RETENTION CLIPS ARE INCLUDED IN INSERTS.
- THIS PLUG WILL MATE WITH ANY RECEPTACLE CONNECTOR WITH THE SAME INSERT ARRANGEMENT.
- CONTACTS ARE PACKAGED SEPARATELY AND SHIPPED WITH CONNECTOR.
- EPOXY IS APPLIED BETWEEN FRONT & REAR SHELLS AND INSERT.
- FOR CONTACT CRIMPING AND CONTACT INSTALLATION AND REMOVAL REFER TO TE I.S. 408-7516.
- INTERFACIAL SEAL IS BONDED TO FRONT INSERT.



CRIMP PIN CONTACT (QTY= NO. OF POSN.)
 (SAE-AMS-AS39029/58-360)
 MAT'L: COPPER ALLOY PER AS 39029
 FINISH: GOLD PLATED PER MIL-G-45204
 OVER NICKEL PER QQ-N-290
 (NOT INSTALLED)
 (2221860-1 THRU -6 ONLY)
 (1-2221860-1 THRU -16 CONTACT NOT INCLUDED)



.426	.039	.596	.668	2.302	.230	2.729	2.500	.503	2.212	104	1-2221860-6
[10.82]	[0.99]	[15.14]	[16.97]	[58.47]	[5.84]	[69.32]	[63.50]	[12.78]	[56.18]		
.426	.039	.534	.605	2.178	.230	2.635	2.406	.441	2.079	78	1-2221860-5
[10.82]	[0.99]	[13.56]	[15.37]	[55.32]	[5.84]	[66.93]	[61.11]	[11.20]	[52.81]		
.426	.039	.422	.494	2.272	.230	2.729	2.500	.329	2.182	62	1-2221860-4
[10.82]	[0.99]	[10.72]	[12.55]	[57.71]	[5.84]	[69.32]	[63.50]	[8.36]	[55.42]		
.426	.039	.422	.494	1.625	.230	2.088	1.852	.329	1.534	44	1-2221860-3
[10.82]	[0.99]	[10.72]	[12.55]	[41.27]	[5.84]	[53.03]	[47.04]	[8.36]	[39.96]		
.422	.030	.422	.494	1.083	.235	1.541	1.312	.329	.994	26	1-2221860-2
[10.72]	[0.76]	[10.72]	[12.55]	[27.51]	[5.97]	[39.14]	[33.32]	[8.36]	[25.25]		
.422	.030	.422	.494	.759	.235	1.213	.984	.329	.666	15	1-2221860-1
[10.72]	[0.76]	[10.72]	[12.55]	[19.28]	[5.97]	[30.81]	[24.99]	[8.36]	[16.92]		
.426	.039	.596	.668	2.302	.230	2.729	2.500	.503	2.212	104	2221860-6
[10.82]	[0.99]	[15.14]	[16.97]	[58.47]	[5.84]	[69.32]	[63.50]	[12.78]	[56.18]		
.426	.039	.534	.605	2.178	.230	2.635	2.406	.441	2.079	78	2221860-5
[10.82]	[0.99]	[13.56]	[15.37]	[55.32]	[5.84]	[66.93]	[61.11]	[11.20]	[52.81]		
.426	.039	.422	.494	2.272	.230	2.729	2.500	.329	2.182	62	2221860-4
[10.82]	[0.99]	[10.72]	[12.55]	[57.71]	[5.84]	[69.32]	[63.50]	[8.36]	[55.42]		
.426	.039	.422	.494	1.625	.230	2.088	1.852	.329	1.534	44	2221860-3
[10.82]	[0.99]	[10.72]	[12.55]	[41.27]	[5.84]	[53.03]	[47.04]	[8.36]	[39.96]		
.422	.030	.422	.494	1.083	.235	1.541	1.312	.329	.994	26	2221860-2
[10.72]	[0.76]	[10.72]	[12.55]	[27.51]	[5.97]	[39.14]	[33.32]	[8.36]	[25.25]		
.422	.030	.422	.494	.759	.235	1.213	.984	.329	.666	15	2221860-1
[10.72]	[0.76]	[10.72]	[12.55]	[19.28]	[5.97]	[30.81]	[24.99]	[8.36]	[16.92]		
DIM L	DIM K	DIM J	DIM H	DIM G	DIM F	DIM D	DIM C	DIM B	DIM A	NO. OF POSITIONS	PART NUMBER

THIS DRAWING IS A CONTROLLED DOCUMENT.

DIMENSIONS: INCHES	TOLERANCES UNLESS OTHERWISE SPECIFIED:	DIN C.C. THOMAS 10-14-14	DATE
0 PLC ± -	1 PLC ± -	10-14-14	
2 PLC ± -	3 PLC ± .005 [0.13]		
4 PLC ± -	ANGLES ± 1°		

MATERIAL: SEE CALLOUTS

FINISH: SEE CALLOUTS

WEIGHT: 0.000000

CUSTOMER DRAWING

SCALE: 4:1

SHEET: 1 of 1

REV: D1

STE TE Connectivity

PLUG ASSY, SIZE 1-6, IP67 SERIES 90, AMPLIMITE WITH IF SEAL AND GROMMET

X-ON Electronics

Largest Supplier of Electrical and Electronic Components

Click to view similar products for [D-Sub Standard Connectors](#) category:

Click to view products by [TE Connectivity](#) manufacturer:

Other Similar products are found below :

[56F711-015](#) [012-9507-004](#) [LV242999-142T12](#) [015-0341-000](#) [015-0372-005](#) [015-0372-008](#) [015-8755-001](#) [020419-0104](#) [012-0467-000](#) [012-0515-000](#) [012-9507-034](#) [012-9507-114](#) [020745-0008](#) [609-25P](#) [M24308/2-23Z](#) [CT2-14S-2PCA34](#) [CT2-18-11PCAU](#) [CT6-10SL-3SC](#) [CT6-10SL-4SC](#) [CT6-14S-2SC](#) [CT6E14SA7SC](#) [M83513/01-FC](#) [M83723/76W24619 L/C](#) [M85049/48-3-2F](#) [6STD09PCM99B70X](#) [6STD09SCM99B30X](#) [6STD09SCT99S40X](#) [6STD15PCT99S40X](#) [6STD15SCM99B30X](#) [6STD15SCT99S40X](#) [6STF09PCM05B70X](#) [7-135760-9](#) [MC11E-10-6SN](#) [747552-3](#) [MD1-21PS](#) [MDM-15SCBRM7-F222](#) [MDM96517-699](#) [MDM96521-744](#) [MDVB1-21SL1](#) [MIK0-1-7SH003](#) [MIKQ6-7SH076](#) [MIKQ7-7PH077](#) [MIKQ7-7PH11](#) [MIKQ7-7PH32](#) [MJSV-28SL61](#) [MKJ4A1F14-55S](#) [8-135760-3](#) [8STD09PCM99B30X](#) [PG-KV/PV-16-GROM-SEALING](#) [GDA15P](#)