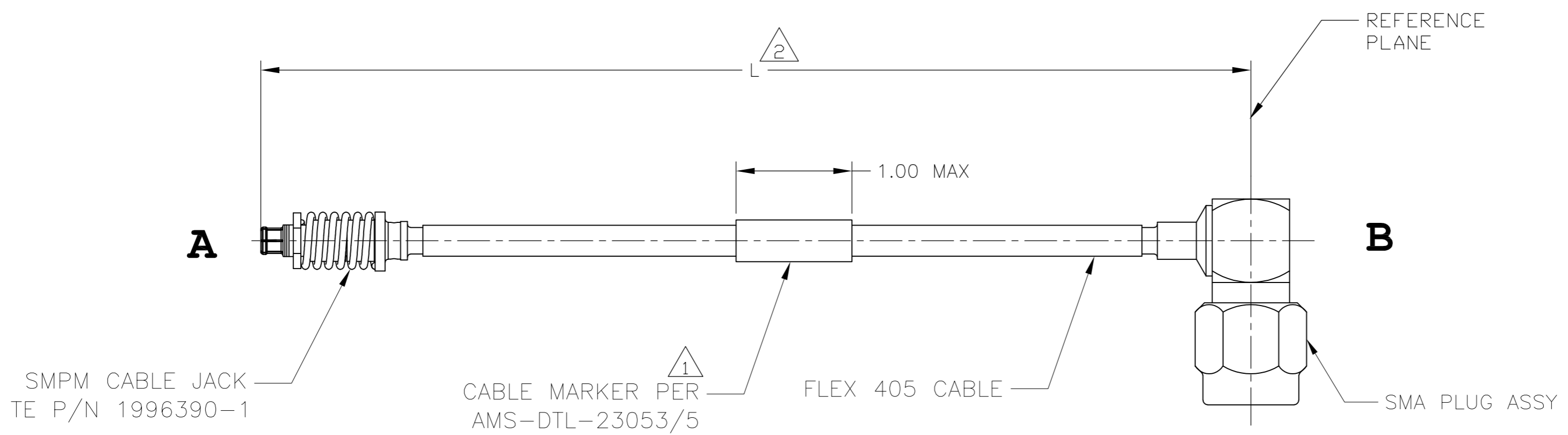


THIS DRAWING IS UNPUBLISHED. RELEASED FOR PUBLICATION  
 © COPYRIGHT - By - ALL RIGHTS RESERVED.

LOC		DIST		REVISIONS			
P	LTR	DESCRIPTION	DATE	DWN	APVD		
	B	REV PER ECO 13-017691	10-18-12	CT	DW		



30.00	3-2221288-0
28.00	2-2221288-8
27.00	2-2221288-7
26.00	2-2221288-6
25.00	2-2221288-5
17.00	1-2221288-7
16.00	1-2221288-6
15.00	1-2221288-5
13.00	1-2221288-3
12.00	1-2221288-2
11.00	1-2221288-1
10.00	1-2221288-0
9.00	2221288-9
8.00	2221288-8
7.00	2221288-7
6.00	2221288-6
DIM "L"	PART NUMBER

- 1 PART NUMBER, DATE CODE AND "TE" MARKED ON CABLE MARKER.
- 2 LENGTH TOLERANCE ± 0.5%, ± .10 IN. MINIMUM.
- 3. VSWR: 1.3:1 MAX, DC - 12 GHz

THIS DRAWING IS A CONTROLLED DOCUMENT.		DWN	C.C.THOMAS	10-18-12	<b>TE</b> TE Connectivity		
DIMENSIONS: INCHES		CHK	D.WILSON	10-18-12			
TOLERANCES UNLESS OTHERWISE SPECIFIED:		APVD	D.WILSON	10-18-12	NAME		
0 PLC ± -		PRODUCT SPEC		RF CABLE ASSEMBLIES, SMPM FLOAT MOUNT FEMALE TO SMA R/A PLUG ON FLEX .086			
1 PLC ± -		APPLICATION SPEC		SIZE			
2 PLC ± -		WEIGHT		CAGE CODE			
3 PLC ± -		CUSTOMER DRAWING		DRAWING NO			
4 PLC ± -		SCALE		RESTRICTED TO			
ANGLES ± -		NTS		A2 00779 C=2221288			
FINISH		SHEET		1 of 1			
MATERIAL		REV		B			

## X-ON Electronics

Largest Supplier of Electrical and Electronic Components

*Click to view similar products for [RF Cable Assemblies](#) category:*

*Click to view products by [TE Connectivity](#) manufacturer:*

Other Similar products are found below :

[573/2](#) [73-6311-6](#) [73-6353-3](#) [73-6364-6](#) [MDB1-9SH001](#) [MDM-15PH003L-K139](#) [MDM-21PH003L-K139](#) [MH113-01SB1-MH1RP-0152](#)  
[MIKQ6-7SH076](#) [R288940005](#) [RF174-01RP1-03RP1-0110](#) [RMTB1-6PHY0102](#) [145111-05-12.00](#) [1661-C-24](#) [2192](#) [CA-628485-A43](#)  
[24P104C24J1-012](#) [24P104C24P1-006](#) [24P104C24P1-018](#) [24P203C24P2-006](#) [24P204C24J1-003](#) [172-2150-EX](#) [1800920920914PJ](#) [FCB-3030-](#)  
[ALT](#) [21117-046](#) [21117-050](#) [PCX-24-50](#) [24P103C24P2-003](#) [25P203C25P2-003](#) [R284008001](#) [R285426000](#) [R288940003](#) [R288940008](#)  
[RF174-03RP1-01BR1-0200](#) [RF179-74BJ3-77RP1-0305](#) [RMTB1-15PHY0102](#) [RMTB1-8PHY0102](#) [4814-BB-24](#) [500-181-R-ACC](#) [MIKQ6-](#)  
[7SH023](#) [5260-72](#) [314-120](#) [JR4N1-CL1-6F](#) [JR4R3-CL1-4F](#) [JT2N1-CL1-1F](#) [JT2T1-CL1-6F](#) [4814-K-48](#) [RN-UFL-SMA6](#) [100E151JW3600X](#)  
[CCNTN2-MM-LL335-26](#)