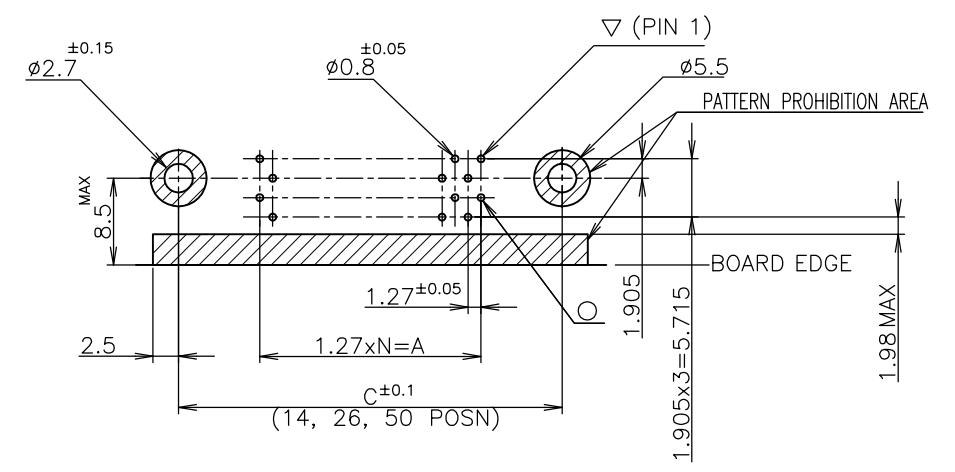
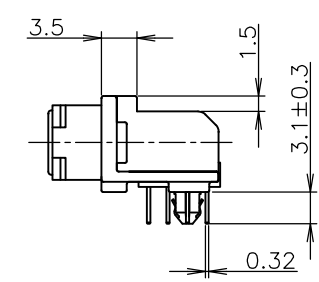
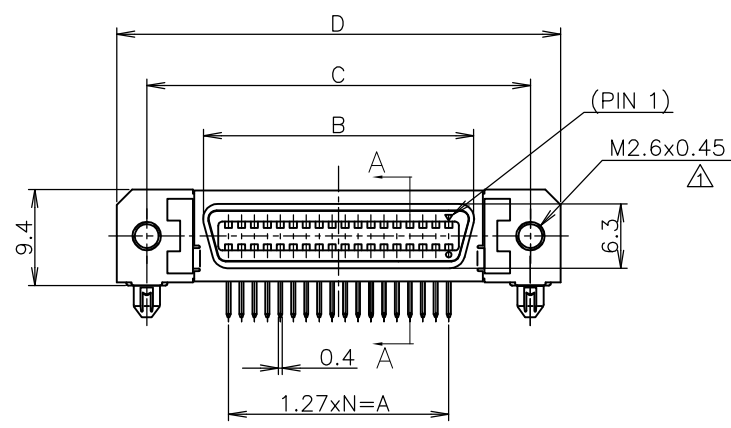
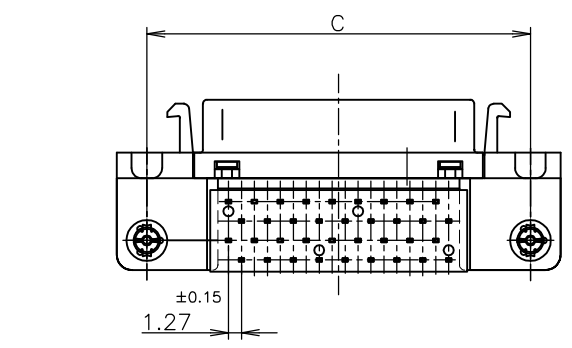


ITEM	MATERIAL	FINISH
①	COPPER ALLOY	NICKEL UNDER PLATE ALL OVER CONTACT AREA ; Au(0.3um, 0.76um) SOLDER TINE AREA ; TIN PLATE
②	ZINC	NICKEL PLATING
③	STEEL t0.25	NICKEL PLATE OVER COPPER UNDERPLATE
④	THERMO-PLASTIC(UL:94V-0)	COLOR; BLACK
⑥	COPPER ALLOY	TIN PLATE OVER NICKEL UNDERPLATE

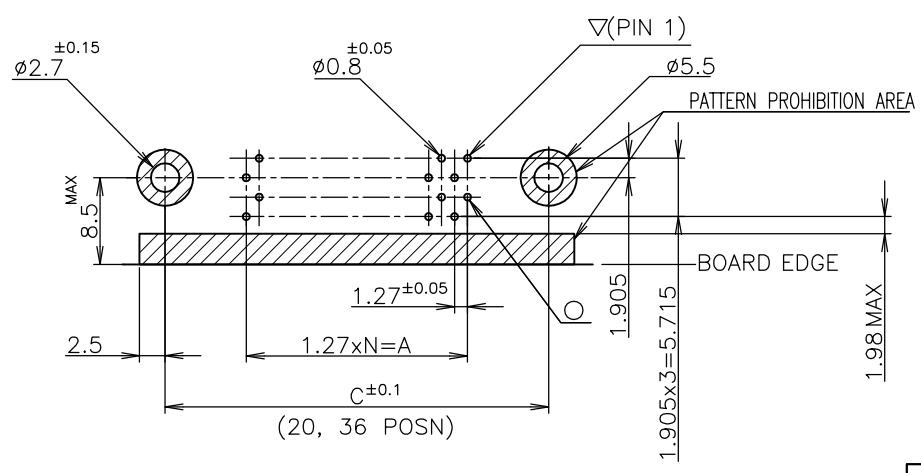
NOTES:
 1. RECOMMENDED SCREW SIZE ; M2.6 PANHEAD SCREW(L=5)
 2. RECOMMENDED P.C BOARD THICKNESS ; 1.6mm (REF)
 3. INSERTION FORCE OF RETENTION LEG TO P.C.B; 21.56N(2.2kgf) MAX/CONNECTOR.
 4. RETENTIVITY OF RETENTION LEG TO P.C.B; 4.9N(0.5kgf) MIN/CONNECTOR.



RECOMMENDED PC BOARD MOUNTING DIMENSION (COMPONENT SIDE)



RECOMENDED PANEL CUTOUT THK,2mm MAX



RECOMMENDED PC BOARD MOUNTING DIMENSION (COMPONENT SIDE)

LEAD FREE

N	F	E	D	C	B	A	Au PLT.	POSITION	PART NO.
24	42.8	42.50	52.40	46.50	35.48	30.48	0.76um	50	5-2232516-2
17	33.9	33.61	43.51	37.61	26.59	21.59	0.76um	36	4-2232516-2
12	27.6	27.26	37.16	31.26	20.24	15.24	0.76um	26	3-2232516-2
9	23.8	23.45	33.35	27.45	16.43	11.43	0.76um	20	2-2232516-2
6	19.9	19.64	29.54	23.64	12.62	7.62	0.76um	14	1-2232516-2
24	42.8	42.50	52.40	46.50	35.48	30.48	0.3 um	50	5-2232516-1
17	33.9	33.61	43.51	37.61	26.59	21.59	0.3 um	36	4-2232516-1
12	27.6	27.26	37.16	31.26	20.24	15.24	0.3 um	26	3-2232516-1
9	23.8	23.45	33.35	27.45	16.43	11.43	0.3 um	20	2-2232516-1
6	19.9	19.64	29.54	23.64	12.62	7.62	0.3 um	14	1-2232516-1

THIS DRAWING IS A CONTROLLED DOCUMENT.

DIMENSIONS: mm	TOLERANCES UNLESS OTHERWISE SPECIFIED: 0 PLC ± 0.2 1 PLC ± 0.2 2 PLC ± 0.2 3 PLC ± 0.2 4 PLC ± 0.2 ANGLES ± 3°	DWN HAO WANG 06MAY13 CHK KOBRY ZHAO 06MAY13 APVD PETER YIN 06MAY13 PRODUCT SPEC 108-5288 APPLICATION SPEC	NAME TE Connectivity RECEPTACLE HDR ASSY (3.1mm) RETENTION LEG TYPE STANDARD SCS1 .050
MATERIAL SEE TABLE	FINISH SEE TABLE	WEIGHT CUSTOMER DRAWING	SIZE A2 CAGE CODE 00779 DRAWING NO. C-2232516 RESTRICTED TO SCALE 2:1 SHEET 1 OF 1 REV A

X-ON Electronics

Largest Supplier of Electrical and Electronic Components

Click to view similar products for [I/O Connectors](#) category:

Click to view products by [TE Connectivity](#) manufacturer:

Other Similar products are found below :

[571763P](#) [58098-0628](#) [61-168618-12P](#) [D38999/20FJ29SB L/C](#) [72.250.1628.2](#) [72.250.2428.2](#) [74720-0505](#) [747680210](#) [76.350.0729.0](#) [76871-1403](#) [FCN-244F080-G/1](#) [FCN-260A9920](#) [FCN-268D024-G/2F#10X-R10](#) [MP-5T180MUNNA-005](#) [MP-5XRJ45UNNB-003](#) [PCS-E50FA](#) [PCS-XE26LKA](#) [PCS-XE26MA+](#) [PCS-XES68MS+](#) [G38A71314B](#) [91-569719-35R](#) [9776-18-6](#) [DX40-50P\(55\)](#) [1571250010](#) [157-22500-3](#) [MS3471L14-19P L/C](#) [171224-6031](#) [1888020-8](#) [91-569786-35H](#) [91-569786-35M](#) [91-644626-35P](#) [172501-4002](#) [172501-6002](#) [FCN-260C008-A/L0](#) [FCN-260C024-AL0](#) [FCN-261Z008](#) [FCN-268D008-G/1K](#) [2000314-1](#) [200331-1](#) [2007498-2](#) [PCR-E28LMDAG1+](#) [PCR-E36FC+](#) [PCS-E28FS+](#) [PCS-XE26SLFD+](#) [PCS-XE26SLFDT+](#) [G38A71214B](#) [HDRA-E68W1LFDTC-SL+](#) [HDR-E14MSG1+](#) [R88A-CNK81S](#) [CRT1-ATT02](#)