

THIS DRAWING IS UNPUBLISHED.

RELEASED FOR PUBLICATION

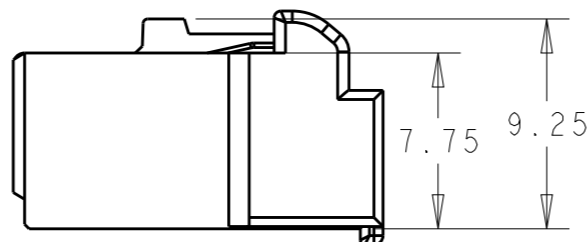
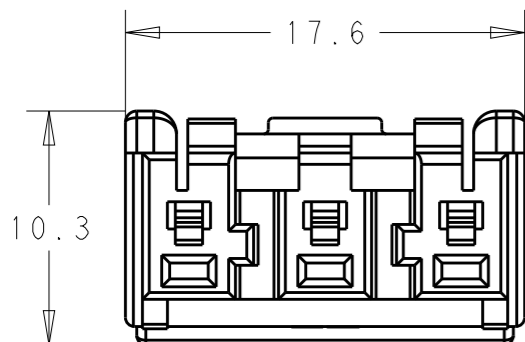
20

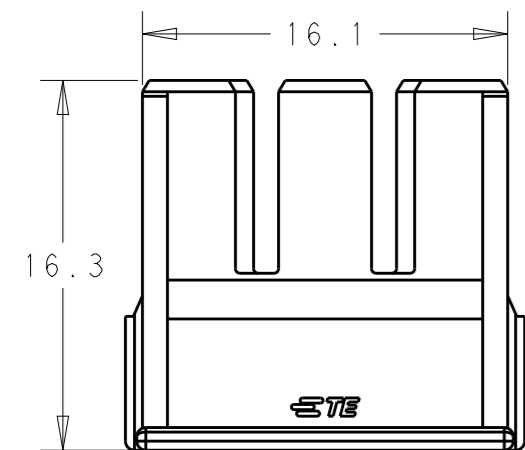
© COPYRIGHT 20 BY -

ALL RIGHTS RESERVED.

LOC	DIST	REVISIONS			
P	LTR	DESCRIPTION	DATE	DWN	APVD
-	-	A	FORMAL RELEASE	30JULY2015	A.Q D.Z

3-2232875-1 AS SHOWN





POSITON	P/N	KEYING TYPE	MATING REC P/N	MATING HEAD ASS P/N
2P	2-2232875-1	TYPE A	1376348 1376347	2-2232876-1
2P	2-2232875-2	TYPE B		2-2232876-2
2P	2-2232875-3	TYPE C		2-2232876-3
2P	2-2232875-4	TYPE D		2-2232876-4
3P	3-2232875-1	TYPE A		3-2232876-1
3P	3-2232875-2	TYPE B		3-2232876-2
3P	3-2232875-3	TYPE C		3-2232876-3
3P	3-2232875-4	TYPE D		3-2232876-4

NOTES:

- 1 NYLON UL94 V-0. COLOR: NATRUAL.
- 2 KEYING FEATURE SEE SHEET 1 TABLE 1 & SHEET 2 TABLE 3; P/N SEE SHEET 1 TABLE 2.

THIS DRAWING IS A CONTROLLED DOCUMENT.		DWN 30JUL2015 ANNIE QIAN	TE Connectivity	
DIMENSIONS: mm		CHK 30JUL2015 ANNIE QIAN		
TOLERANCES UNLESS OTHERWISE SPECIFIED:		APVD 30JUL2015 DANIEL ZHANG	NAME GRACE INERTIA CONNECTOR 6.0MM PITCH PLUG HOUSING FOR 2POS. AND 3POS.	
0 PLC ±- 1 PLC ±- 2 PLC ±0.13 3 PLC ±- 4 PLC ±- ANGLES ±1		PRODUCT SPEC 108-106193	SIZE A3	RESTRICTED TO -
MATERIAL		APPLICATION SPEC 114-5292	CAGE CODE -	DRAWING NO C-2232875
FINISH		WEIGHT -	SCALE N/A	SHEET 1 OF 2
		CUSTOMER DRAWING	REV A	

4

3

2

1

THIS DRAWING IS UNPUBLISHED.

RELEASED FOR PUBLICATION

20

© COPYRIGHT 20

BY -

ALL RIGHTS RESERVED.

LOC DIST

REVISIONS

P	LTR	DESCRIPTION	DATE	DWN	APVD
-	-	SEE SHEET 1	-	-	-

2-2232875-1 AS SHOWN

TABLE 3

TYPE A		TYPE B	
1.5	1.5	1.5	1.5
3.3	3.3	3.3	3
3.3	3.3	4.8	4.8
TYPE C		TYPE D	
4.8	4.8	4.8	1.5
3	3	3.3	3.3

NOTES:

1 NYLON UL94 V-0. COLOR: NATRUAL.

THIS DRAWING IS A CONTROLLED DOCUMENT.

DWN 30JUL2015

ANNIE QIAN

CHK 30JUL2015

ANNIE QIAN

APVD 30JUL2015

DANIEL ZHANG

PRODUCT SPEC

108-106193

APPLICATION SPEC

114-5292

WEIGHT

-

CUSTOMER DRAWING

TE Connectivity

NAME
GRACE INERTIA CONNECTOR
6.0MM PITCH PLUG HOUSING
FOR 2POS. AND 3POS.

SIZE	CAGE CODE	DRAWING NO	RESTRICTED TO
------	-----------	------------	---------------

A3	-	©-2232875	-
----	---	-----------	---

SCALE	SHEET	OF	REV
-------	-------	----	-----

N/A	2	2	A
-----	---	---	---

DIMENSIONS:

mm

TOLERANCES UNLESS OTHERWISE SPECIFIED:

0 PLC	±-
1 PLC	±-
2 PLC	±0.13
3 PLC	±-
4 PLC	±-
ANGLES	±1

MATERIAL

FINISH

-

1470-19 (3/11)

X-ON Electronics

Largest Supplier of Electrical and Electronic Components

Click to view similar products for [Power to the Board](#) category:

Click to view products by [TE Connectivity](#) manufacturer:

Other Similar products are found below :

[6450171-4](#) [6450552-7](#) [6600323-8](#) [6643429-1](#) [6646040-2](#) [6651939-1](#) [6766604-1](#) [120959-1](#) [1393557-2](#) [1393532-2](#) [1393532-3](#) [1393532-4](#)
[1393557-1](#) [1600812-5](#) [1-6450861-2](#) [1744132-7](#) [1761122-1](#) [1766250-1](#) [1892109-1](#) [2-6450860-5](#) [2-6450870-0](#) [1-6450161-4](#) [1-6450850-6](#) [1-6450869-6](#) [1645526-2](#) [1-6600130-0](#) [2005243-2](#) [377-0020-11130](#) [TE34-12-16P-F0](#) [5-6450830-6](#) [5646956-4](#) [377-0080-11131A](#) [4-6450830-9](#)
[4-6600333-3](#) [10125416-4050LF](#) [6600320-3](#) [3-6450860-5](#) [1888123-2](#) [6450166-1](#) [6643978-1](#) [6766605-1](#) [701-15-02109](#) [N11444](#) [6651938-1](#)
[6450810-7](#) [46437-1112](#) [1-1589677-8](#) [5646956-5](#) [6450813-2](#) [6450129-4](#)