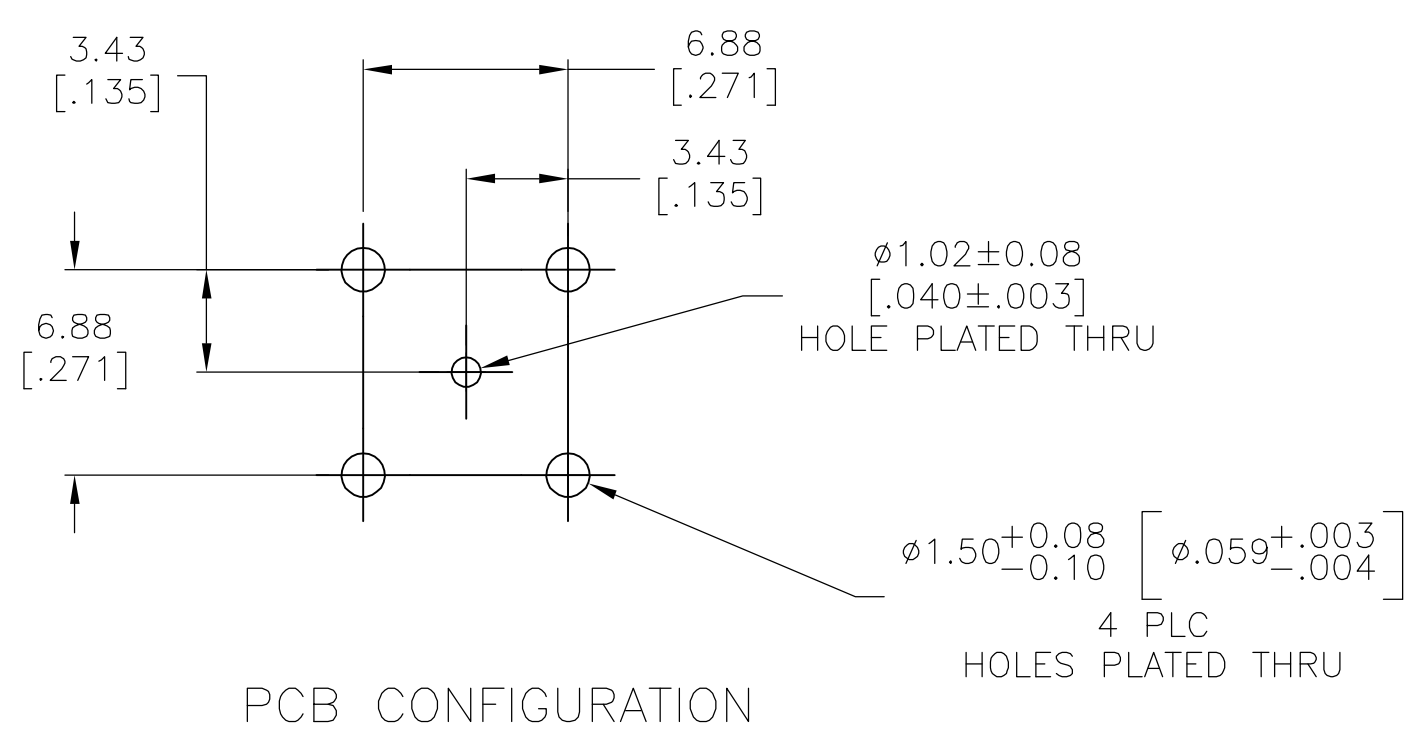
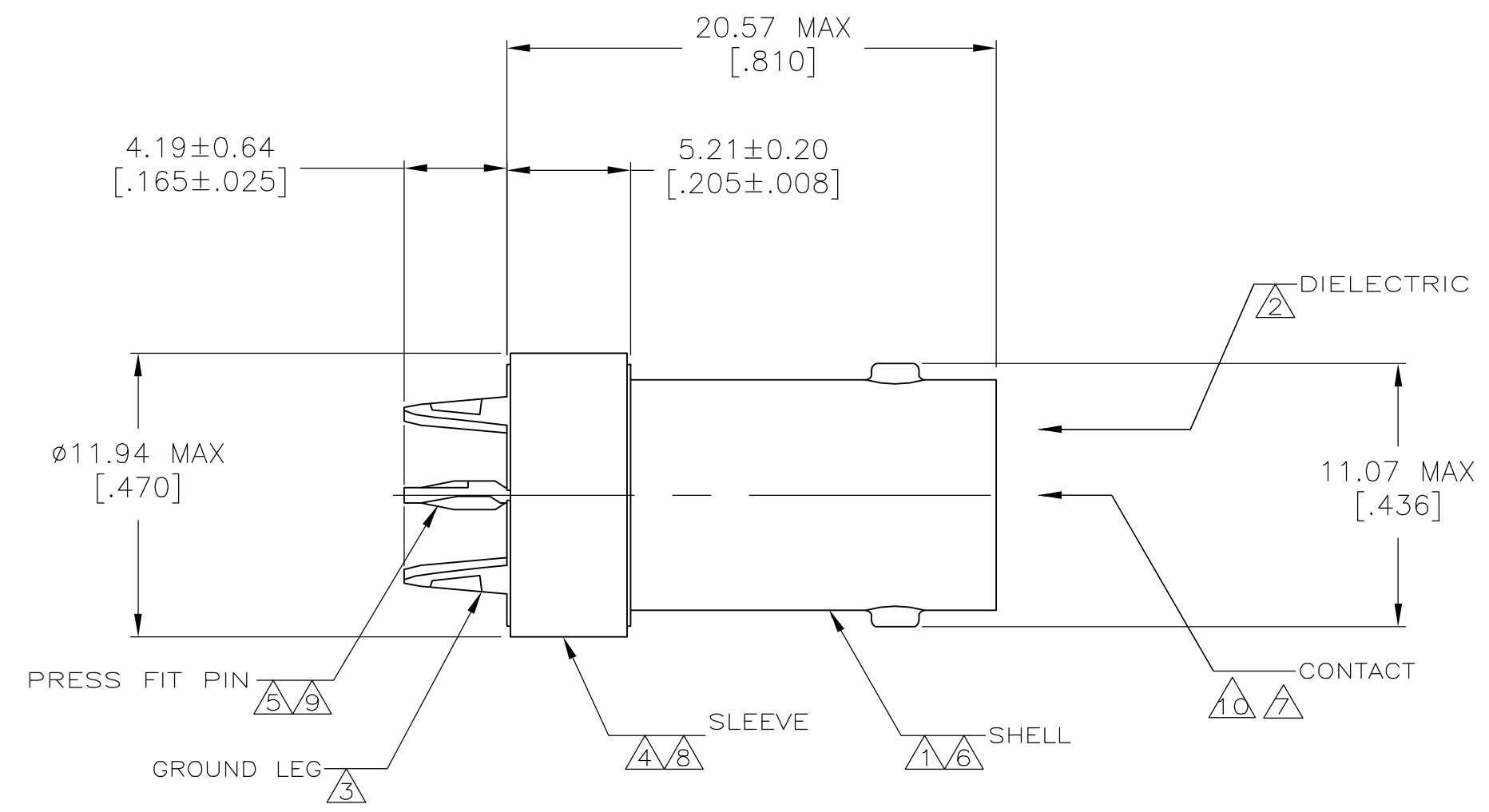


THIS DRAWING IS UNPUBLISHED. RELEASED FOR PUBLICATION
 © COPYRIGHT BY TYCO ELECTRONICS CORPORATION. ALL RIGHTS RESERVED.

LOC	DIST	REVISIONS			
P	LTR	DESCRIPTION	DATE	DWN	APVD
AJ	00	N	REV PER ECO 07-002853	21MAR2007	DW JL



- 1 ZINC PER QQ-Z-363.
 - 2 PTFE PER MIL-P-19468.
 - 3 COPPER-IRON ALLOY PER ASTM-B-465.
 - 4 COPPER PER QQ-C-576.
 - 5 COPPER-NICKEL ALLOY PER ASTM-B-122.
 - 6 NICKEL PLATE PER QQ-N-290
3.81 µm [.000150] MINIMUM THICK.
 - 7 GOLD PLATE PER MIL-G-45204
0.76 µm [.000030] MINIMUM THICK.
 - 8 TIN PLATE PER ASTM-B-545,
2.54 µm [.000100] MIN THICK.
 - 9 GOLD PLATE PER MIL-G-45204
 - 10 BERYLLIUM COPPER PER ASTM-B-643
 - 11 .010 ± .001 THICK, MYLAR (POLYESTER FILM) INSULATOR, AMP P/N 1274912-1, ATTACHED TO BOTTOM, (NOT SHOWN).
 - 12 TIN-LEAD PLATE PER ASTM-B-545,
2.54 µm [.000100] MIN THICK.
13. CONNECTOR PRESS FIT IS DESIGNED TO PROVIDE 100 LB. MINIMUM AXIAL RETENTION TO PCB COMPLIANT WITH TYCO APPLICATION SPEC 114-12001. AS A RESULT, DEFORMATION OF PLATED THROUGH HOLES WILL OCCUR. CUSTOMER VALIDATION AND ACCEPTANCE OF THIS DEFORMATION IS RECOMMENDED PRIOR TO SPECIFYING USE OF THIS PRODUCT.

OBSOLETE	8	9-222462-0
	11	222462-4
SUPERSEDED BY 222462-1	12	222462-2
	12	222462-1
	GROUND LEG	PART NUMBER

THIS DRAWING IS A CONTROLLED DOCUMENT.		DWN J. LIPPERT 05MAR01	Tyco Electronics Corporation Harrisburg, PA 17105-3608	
DIMENSIONS: mm [INCHES]		CHK D. TAYLOE 8-2-93	NAME JACK, PCB, HIGH RETENTION PRESS FIT, 75 OHM, BNC	
TOLERANCES UNLESS OTHERWISE SPECIFIED:		APVD J. LIPPERT 8-5-93	PRODUCT SPEC 108-12103	
0 PLC ± -		APPLICATION SPEC 114-12001		
1 PLC ± -		SIZE A2		
2 PLC ± 0.05 [.002]		CAGE CODE 00779		
3 PLC ± -		DRAWING NO C=222462		
4 PLC ± -		RESTRICTED TO -		
ANGLES ± -		SCALE 5:1		
FINISH		SHEET 1 of 1		
1 THRU 5,10,11		REV N		
6 THRU 10,12		CUSTOMER DRAWING		

222462

X-ON Electronics

Largest Supplier of Electrical and Electronic Components

Click to view similar products for [RF Connectors / Coaxial Connectors](#) category:

Click to view products by [TE Connectivity](#) manufacturer:

Other Similar products are found below :

[8915-1511-000](#) [89674-0827](#) [6001-7071-019](#) [6002-7051-003](#) [6002-7551-202](#) [6059674-1](#) [619550-1](#) [630059-000](#) [M39030/3-01N](#) [6500-7071-046](#) [6769](#) [CX050L2AQ](#) [7002-1541-010](#) [7002-1542-011](#) [7004-1512-000](#) [7009-1511-004](#) [7010-1511-000](#) [7029-1511-060](#) [7101-1541-010](#) [7101-1571-002](#) [7145-1521-002](#) [7203-1571-003](#) [7209-1511-011](#) [7210-1511-015](#) [7210-1511-019](#) [73137-5015](#) [73216-2241](#) [73404-2300](#) [7405-1521-005](#) [7405-1521-802](#) [8527](#) [8547](#) [FS11V](#) [877931](#) [9049-9513-000](#) [9074-9513-000](#) [9101-9573-002](#) [910A205F](#) [9130-9573-002](#) [PL11SC-026](#) [PL375-33](#) [PL40-5](#) [PL74C-221](#) [PL75MC-217](#) [PL803-7](#) [980-8666-005](#) [1200690078](#) [1-201144-1](#) [R107003010W](#) [R110A172100](#)