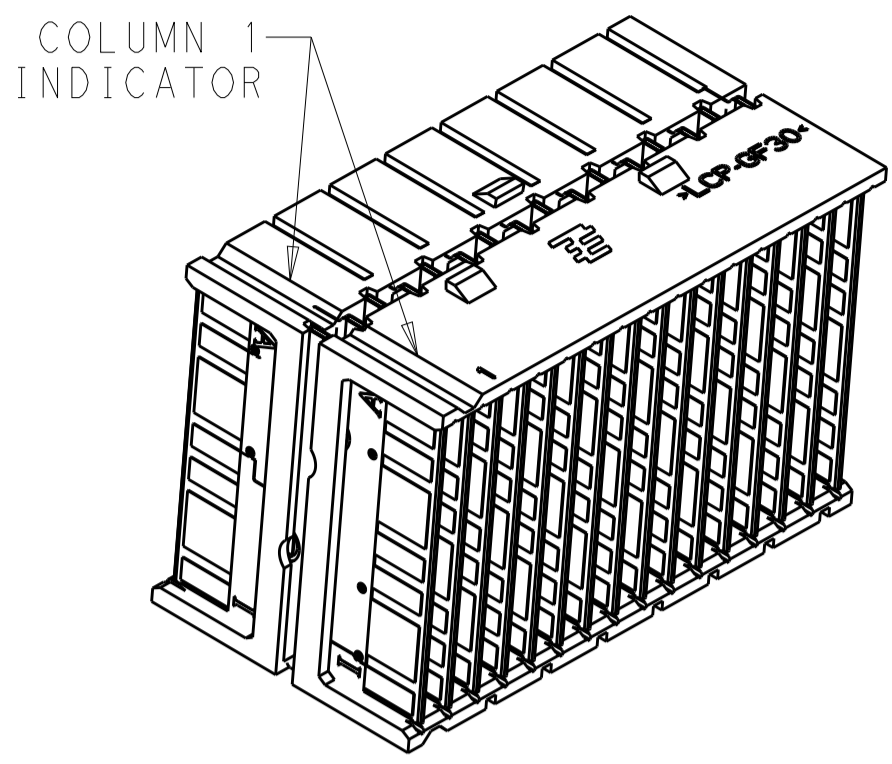
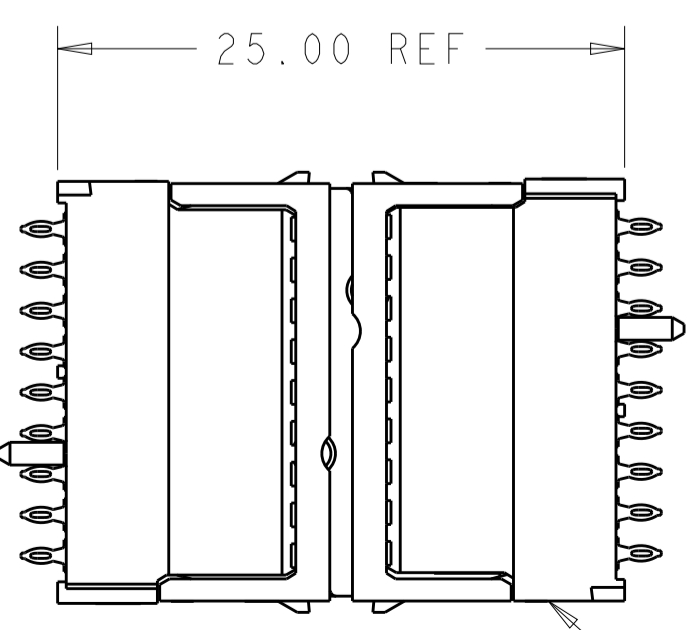
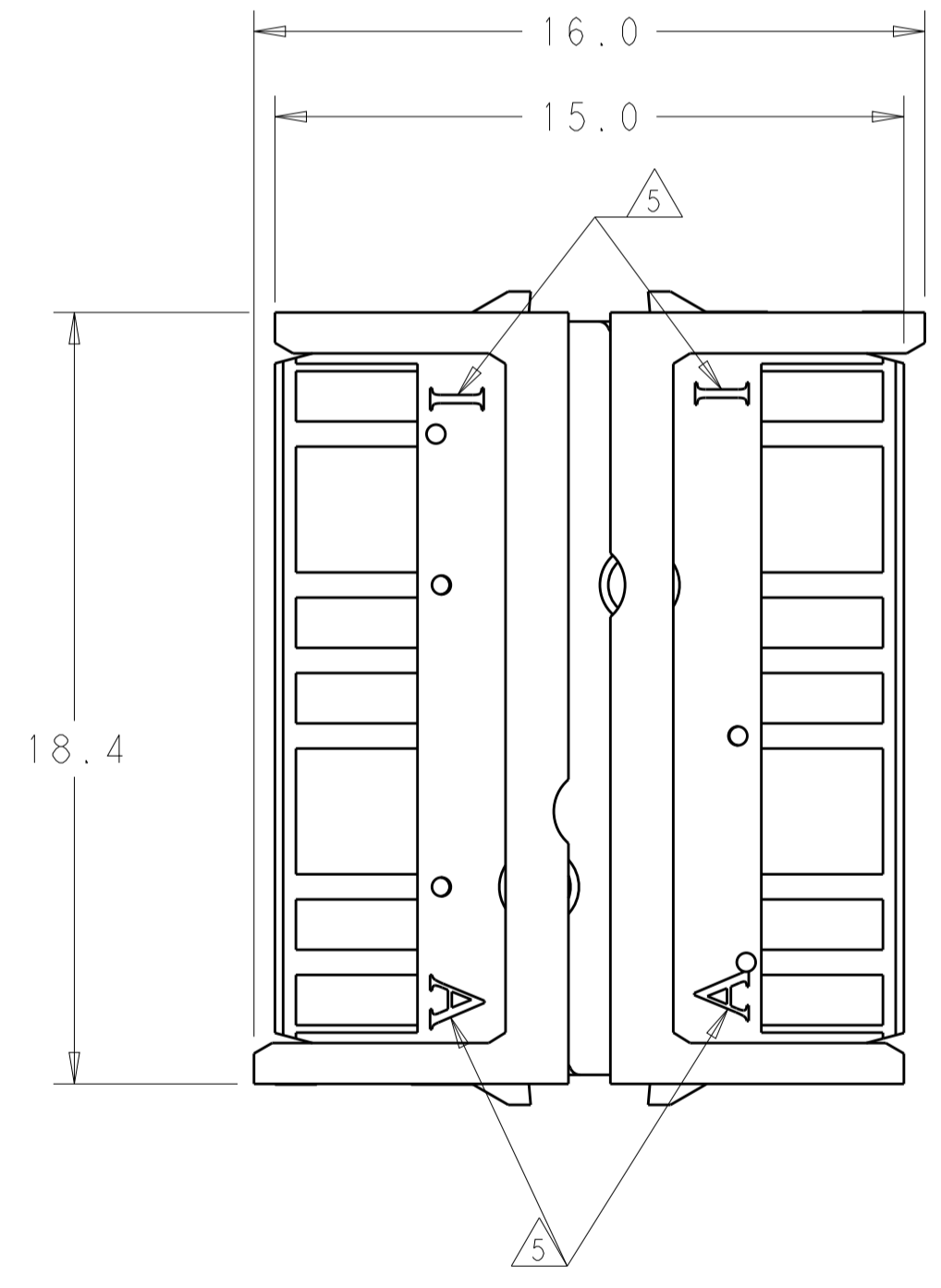
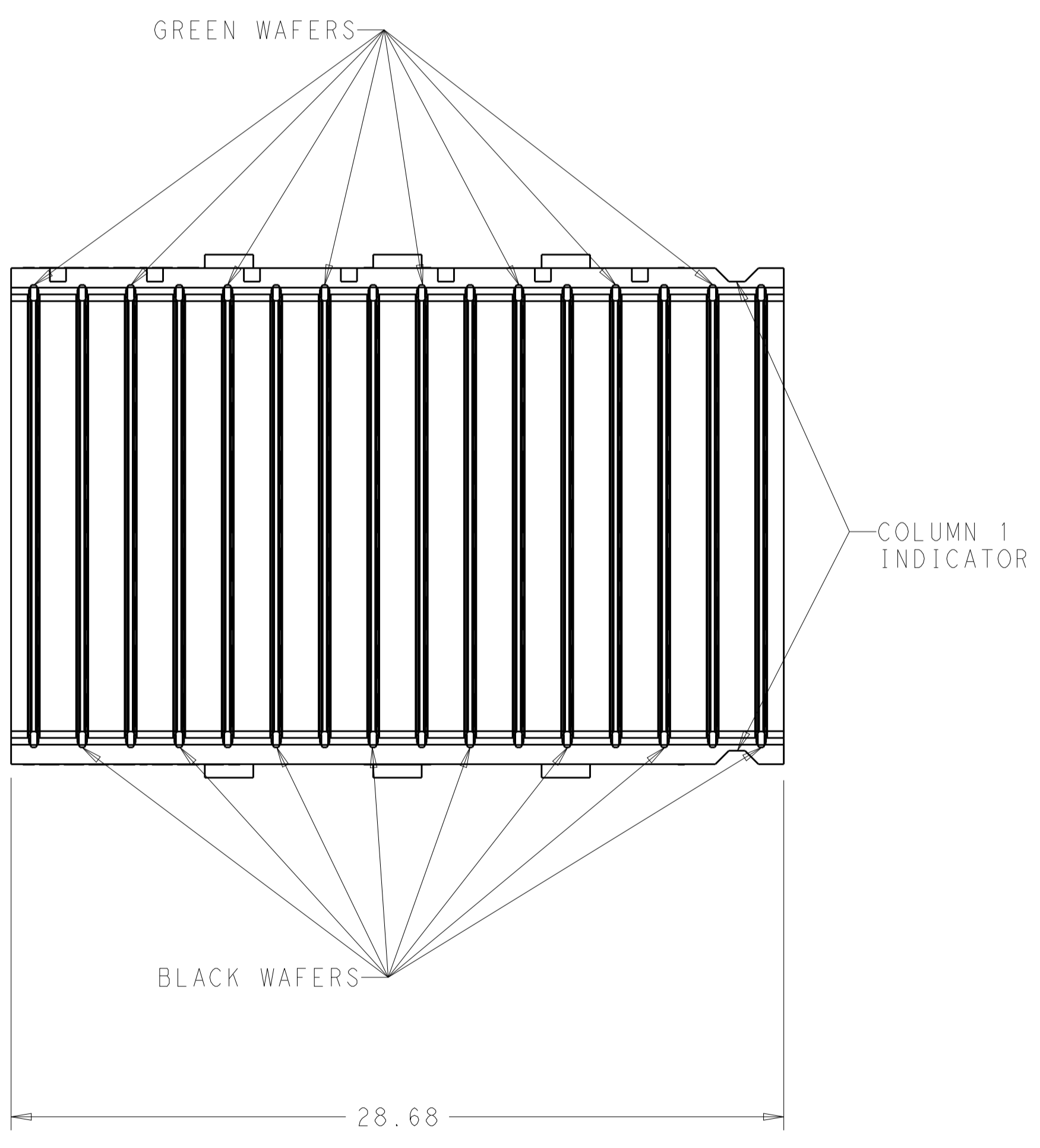
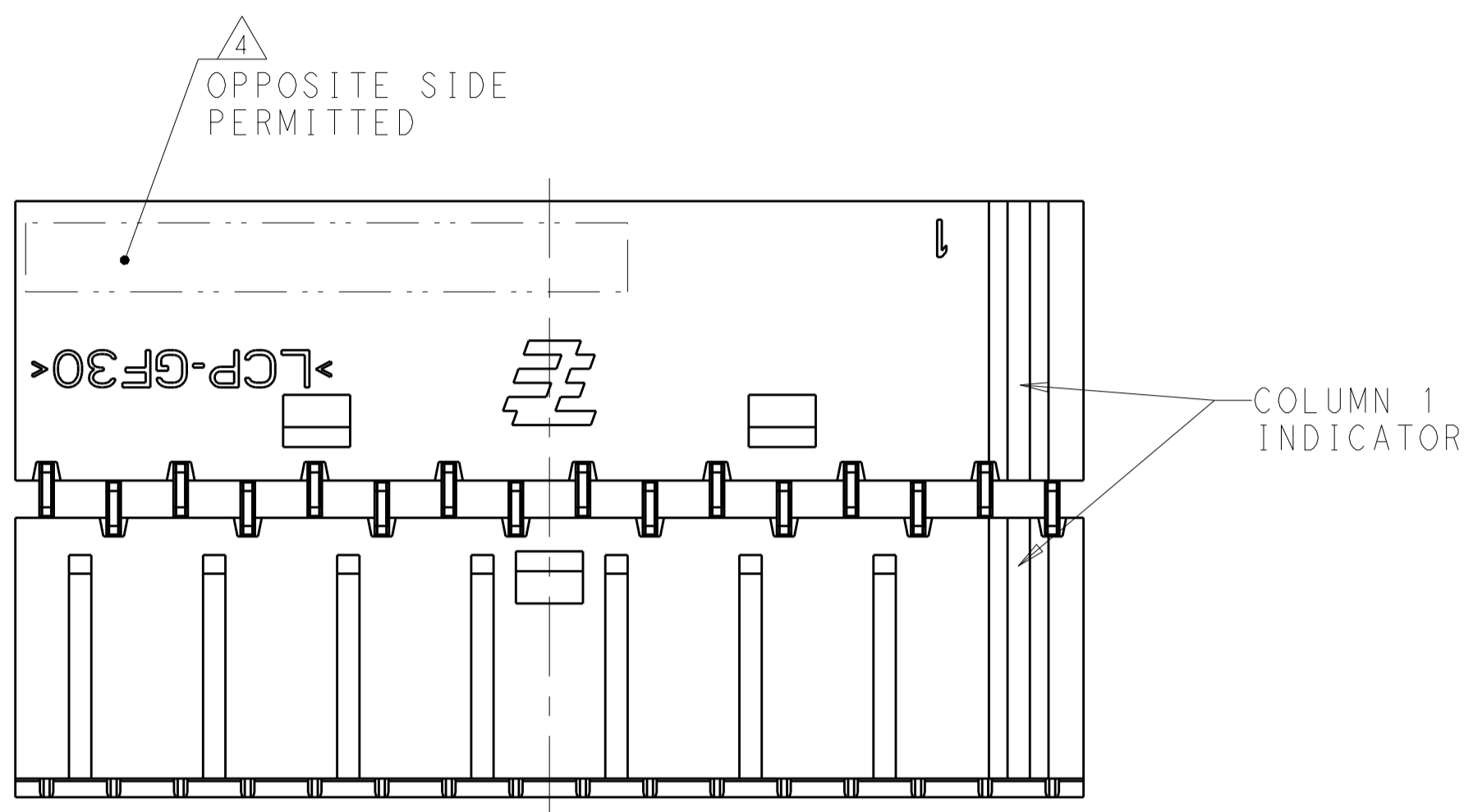


| LOC |     | DIST                       |           | REVISIONS |      |  |  |
|-----|-----|----------------------------|-----------|-----------|------|--|--|
| P   | LTN | DESCRIPTION                | DATE      | DWN       | APVD |  |  |
| A   |     | RELEASED PER ECO-13-007603 | 06MAY2013 | KM        | DH   |  |  |



SCALE 3:1



SCALE 3:1

MATING P/N 1410140, 1410141 OR 1410142

- 1 HOUSING: LCP, UL94V0, COLOR: BLACK. WAFER: FR4.
- 2 CONTACT: 1.27µm MIN GOLD PLATED IN PAD CONTACT AREA OVER 3.81µm MIN NICKEL
- 3. SEE TABLE FOR INTERCONNECTIONS TO BACKPLANE CONNECTOR.
- 4 PART NUMBER AND DATE CODE (yyww) LOCATED ON SURFACE INDICATED.
- 5 ROW INDICATORS

TYPICAL INTERCONNECTIONS FOR EACH ODD-NUMBERED COLUMN (BLACK WAFER): 1, 3, 5, 7, 9, 11, 13, 15

| CONTACT USAGE       | DAUGHTERCARD/ MAIN CARD | MEZZANINE/ CARRIER CARD |
|---------------------|-------------------------|-------------------------|
| SIGNAL PAIR         | ax                      | ax                      |
|                     | bx                      | bx                      |
| SIGNAL PAIR         | ex                      | ex                      |
|                     | fx                      | fx                      |
| SIGNAL              | ix                      | ix                      |
| GROUPS ALL COMMONED | cx, dx, gx, hx          | cx, dx, gx, hx          |

TYPICAL INTERCONNECTIONS FOR EACH EVEN-NUMBERED COLUMN (GREEN WAFER): 2, 4, 6, 8, 10, 12, 14, 16

| CONTACT USAGE       | DAUGHTERCARD/ MAIN CARD | MEZZANINE/ CARRIER CARD |
|---------------------|-------------------------|-------------------------|
| SIGNAL PAIR         | cx                      | cx                      |
|                     | dx                      | dx                      |
| SIGNAL PAIR         | gx                      | gx                      |
|                     | hx                      | hx                      |
| GROUPS ALL COMMONED | ax, bx, ex, fx, ix      | ax, bx, ex, fx, ix      |

2226027-1  
PART NO

|  |        |                                  |   |
|--|--------|----------------------------------|---|
| THIS DRAWING IS A CONTROLLED DOCUMENT. |        | DWN<br>K. MILLER<br>10MAY2012    | TE Connectivity<br>MEZZANINE CONNECTOR, 25mm STACK HEIGHT, DIFFERENTIAL, 16 WAFER VITA 46, 7 RW, MULTIGIG RT2 |
| DIMENSIONS: mm                         |        | CHK<br>K. THACKSTON<br>17MAY2012 |   |
| TOLERANCES UNLESS OTHERWISE SPECIFIED: |        | APVD<br>M. MCALONIS<br>16OCT2012 | NAME  |
| 0 PLC ±0.5                             |        | PRODUCT SPEC                     | SIZE  |
| 2 PLC ±0.13                            |        | 108-2072                         | CAGE CODE   |
| 3 PLC ±0.013                           |        | APPLICATION SPEC                 | DRAWING NO  |
| 4 PLC ±0.0001                          |        | 114-13056                        | RESTRICTED TO   |
| ANGLES ±0.0001                         |        | WEIGHT                           | A100779C=2226027  |
| MATERIAL                               | FINISH | Customer Drawing                 | SCALE 6:1 SHEET 1 OF 1 REV A  |

## X-ON Electronics

Largest Supplier of Electrical and Electronic Components

*Click to view similar products for [High Speed/Modular Connectors](#) category:*

*Click to view products by [TE Connectivity](#) manufacturer:*

Other Similar products are found below :

[650827-1](#) [74040-1346](#) [1410191-1](#) [1410368-3](#) [1410964-2](#) [1410326-3](#) [1410367-3](#) [1410971-4](#) [1467833-1](#) [2000877-1](#) [2000878-1](#) [2041314-1](#)  
[2065387-1](#) [2187307-1](#) [163P](#) [1934290-1](#) [2000875-1](#) [2065917-1](#) [2102736-2](#) [FSR-40](#) [2169868-2](#) [22354-8](#) [437-5040-000](#) [5-1393565-0](#) [039-](#)  
[0246-000](#) [0740618502](#) [0761601016](#) [0784461022](#) [10123159-12ELF](#) [030-2415-003/100 PK](#) [030-7380-004](#) [030-2494-001](#) [532939-1](#) [5532901-](#)  
[3](#) [3-1469268-7](#) [74748-102LF](#) [10041743-101LF](#) [10066670-100002LF](#) [1-533915-1](#) [249-4515-000](#) [7-1469373-3](#) [DL2-2J/S](#) [2000713-8](#)  
[2000713-7](#) [10124313-101LF](#) [3011-21](#) [757105208](#) [430305-001](#) [4395800100](#) [8140115](#)