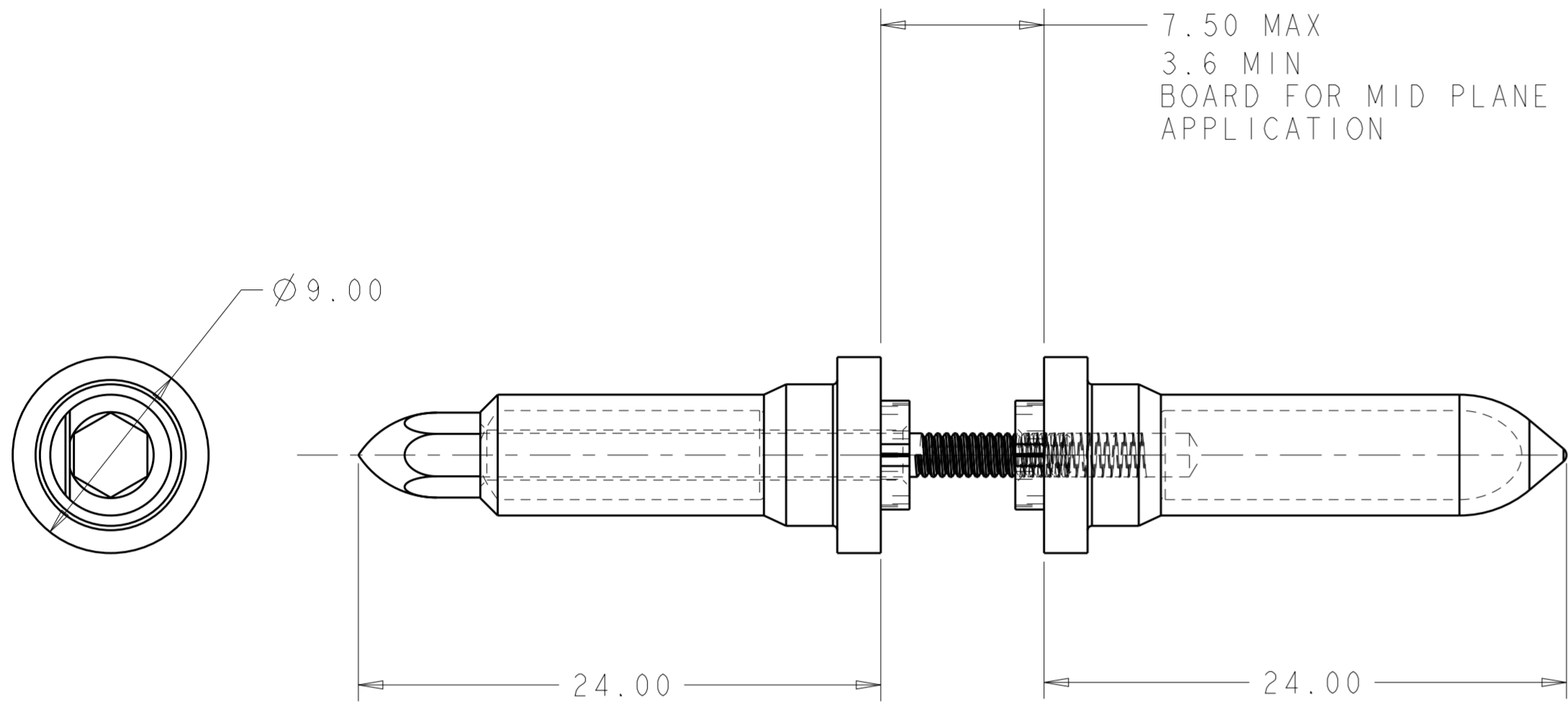
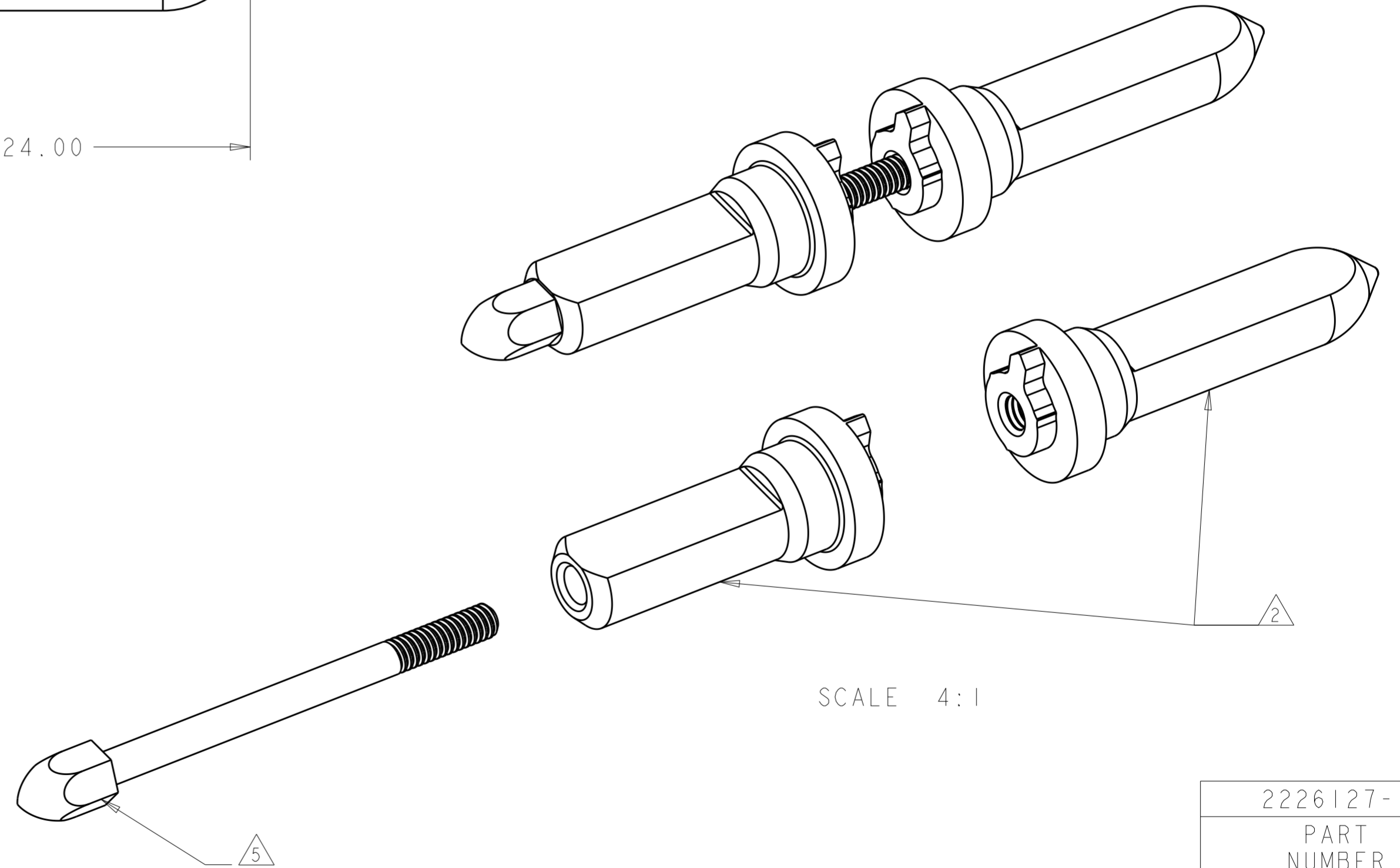


THIS DRAWING IS UNPUBLISHED. RELEASED FOR PUBLICATION 20
 © COPYRIGHT 20 BY TE CONNECTIVITY ALL RIGHTS RESERVED.

LOC		DIST		REVISIONS			
P	LTR	DESCRIPTION	DATE	DWN	APVD		
-	-	A	RELEASED PER ECO 13-012017	8-2-13	CT	DH	



- 1 MATERIAL: STAINLESS STEEL (303)
- 2 GUIDE PIN FINISH: PASSIVATED
- 3 KEY HOLE ORIENTATION (DIM A) PER MATING GUIDE MODULE PART NUMBER TABLE (ORIENTATION SHOWN ON PCB LAYOUT IS FOR 1-2000677-2, 2-2000677-2, OR 2000713-2)
- 4 ANNULAR RING PLATED AROUND GUIDE PIN MOUNTING HOLE ON TOP AND BOTTOM SIDE OF BOARD
- 5 GUIDE PIN RETAINER FINISH: 3.81µm MINIMUM SILVER OVER NICKEL
- 6. 4.0 IN-LBS MAXIMUM TORQUE

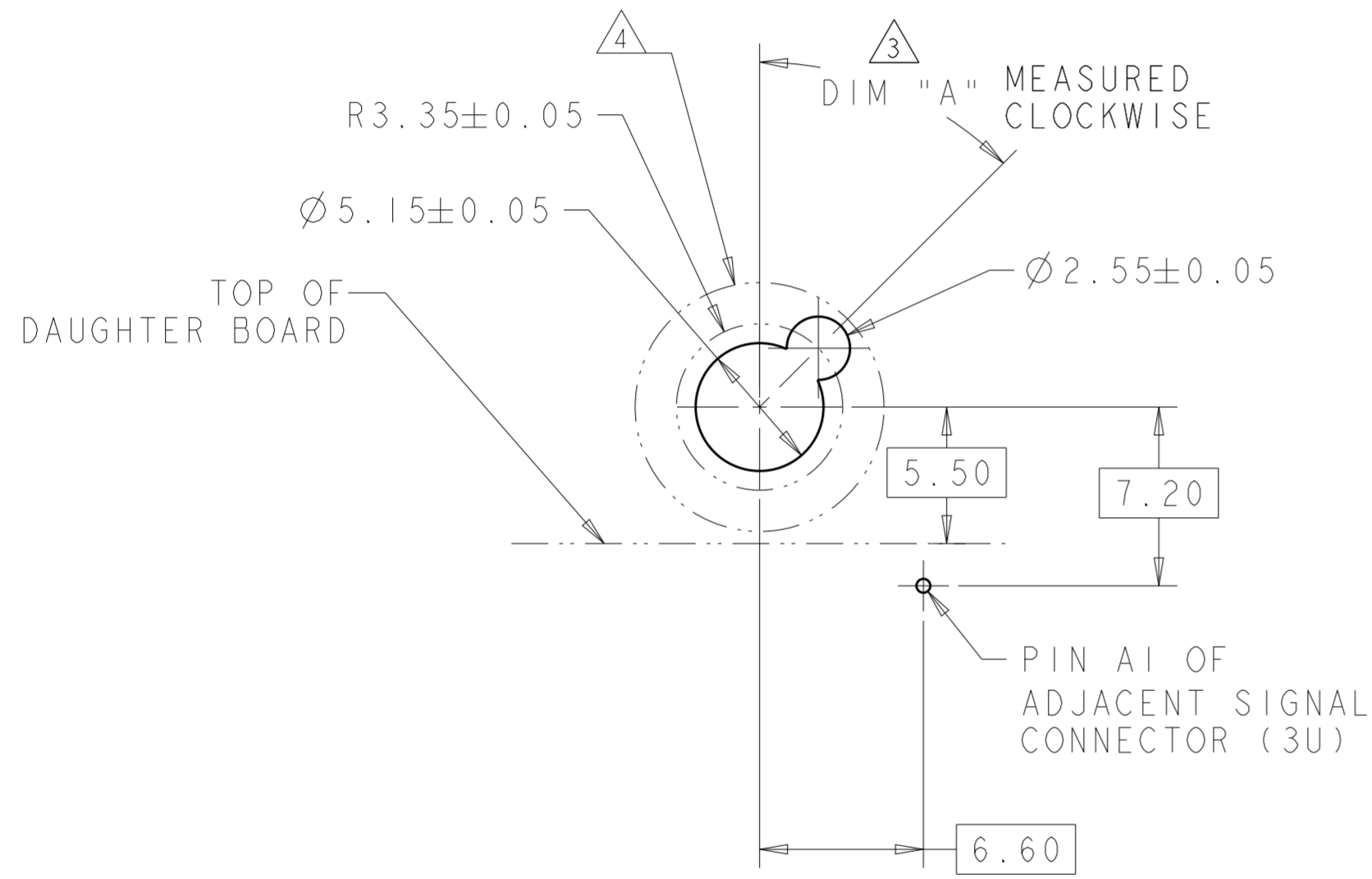


2226127-1
PART NUMBER

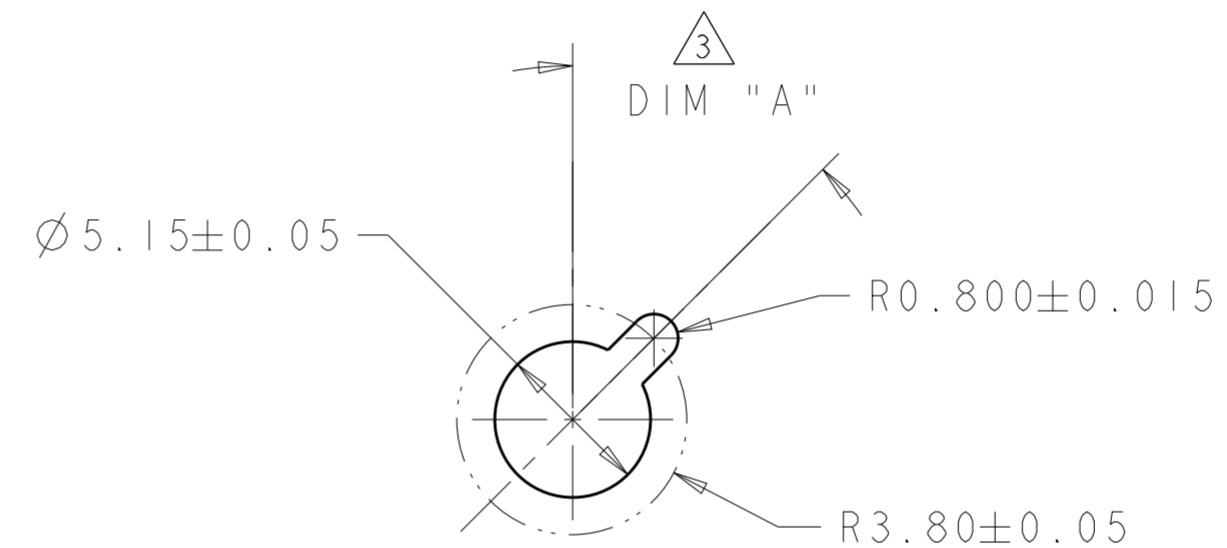
THIS DRAWING IS A CONTROLLED DOCUMENT.		DWN K. MILLER 30 JUL 2012	TE Connectivity	
DIMENSIONS: mm		CHK N. RUFFINI 01 AUG 2012		
TOLERANCES UNLESS OTHERWISE SPECIFIED:		APVD M. MCALONIS 01 AUG 2012	NAME KEYED GUIDE PIN KIT ASSEMBLY VITA 46, BACKPLANE CONNECTOR, MULTIGIG, THREADED POST, MACHINED	
0 PLC ±-		PRODUCT SPEC 108-2072	RESTRICTED TO	
1 PLC ±0.5		APPLICATION SPEC 114-13056	SIZE CAGE CODE DRAWING NO	
2 PLC ±0.13		WEIGHT	A200779 C-2226127	
3 PLC ±0.013		CUSTOMER DRAWING	SCALE 4:1 SHEET 1 OF 2 REV A	
4 PLC ±				
ANGLES ±-				
FINISH				

THIS DRAWING IS UNPUBLISHED. RELEASED FOR PUBLICATION 20
 © COPYRIGHT 20 BY TE CONNECTIVITY ALL RIGHTS RESERVED.

LOC	DIST	REVISIONS			
P	LTR	DESCRIPTION	DATE	DWN	APVD
-	-	SEE SHEET 1	-	-	-



TIER 2
 GUIDE PIN FOOTPRINT
 (20.3mm SIGNAL MODULES)
 SCALE 4:1



ALTERNATE PCB LAYOUT
 FOR GUIDE POST
 SCALE 4:1

W/O ESD SPRING	NO KEY	2-2000677-9
W/O ESD SPRING	315°	2-2000677-8
W/O ESD SPRING	270°	2-2000677-7
W/O ESD SPRING	90°	2-2000677-3
W/O ESD SPRING	45°	2-2000677-2
W/O ESD SPRING	0°	2-2000677-1
W/O ESD SPRING	0°	2-2000677-0
W/O ESD SPRING	NO KEY	1-2000677-9
W/O ESD SPRING	315°	1-2000677-8
W/O ESD SPRING	270°	1-2000677-7
W/O ESD SPRING	90°	1-2000677-3
W/O ESD SPRING	45°	1-2000677-2
W/ESD SPRING	NO KEY	2000713-6
W/ESD SPRING	315°	2000713-5
W/ESD SPRING	270°	2000713-4
W/ESD SPRING	90°	2000713-3
W/ESD SPRING	45°	2000713-2
W/ESD SPRING	0°	2000713-1
ESD SPRING	DIM A	20.3mm GUIDE MODULE

MATING GUIDE MODULE

THIS DRAWING IS A CONTROLLED DOCUMENT.		DWN K. MILLER 30 JUL 2012	TE Connectivity	
DIMENSIONS: mm		CHK N. RUFFINI 01 AUG 2012		
TOLERANCES UNLESS OTHERWISE SPECIFIED:		APVD M. MCALONIS 01 AUG 2012	NAME KEYED GUIDE PIN KIT ASSEMBLY VITA 46, BACKPLANE CONNECTOR, MULTIGIG, THREADED POST, MACHINED	
0 PLC ±		PRODUCT SPEC	RESTRICTED TO	
1 PLC ±0.5		108-2072	SIZE CAGE CODE DRAWING NO	
2 PLC ±0.13		APPLICATION SPEC	A200779 C-2226127	
3 PLC ±0.013		114-13056	SCALE 4:1 SHEET 2 OF 2 REV A	
4 PLC ±		WEIGHT	CUSTOMER DRAWING	
ANGLES ±		FINISH		

X-ON Electronics

Largest Supplier of Electrical and Electronic Components

Click to view similar products for [High Speed/Modular Connectors](#) category:

Click to view products by [TE Connectivity](#) manufacturer:

Other Similar products are found below :

[650827-1](#) [74040-1346](#) [1410191-1](#) [1410368-3](#) [1410964-2](#) [1410326-3](#) [1410367-3](#) [1410971-4](#) [1467833-1](#) [2000877-1](#) [2000878-1](#) [2041314-1](#)
[2065387-1](#) [2187307-1](#) [163P](#) [1934290-1](#) [2000875-1](#) [2065917-1](#) [2102736-2](#) [FSR-40](#) [2169868-2](#) [22354-8](#) [437-5040-000](#) [5-1393565-0](#) [039-](#)
[0246-000](#) [0740618502](#) [0761601016](#) [0784461022](#) [10123159-12ELF](#) [030-2415-003/100 PK](#) [030-7380-004](#) [030-2494-001](#) [532939-1](#) [5532901-](#)
[3](#) [3-1469268-7](#) [74748-102LF](#) [10041743-101LF](#) [10066670-100002LF](#) [1-533915-1](#) [249-4515-000](#) [7-1469373-3](#) [DL2-2J/S](#) [2000713-8](#)
[2000713-7](#) [10124313-101LF](#) [3011-21](#) [757105208](#) [430305-001](#) [4395800100](#) [8140115](#)