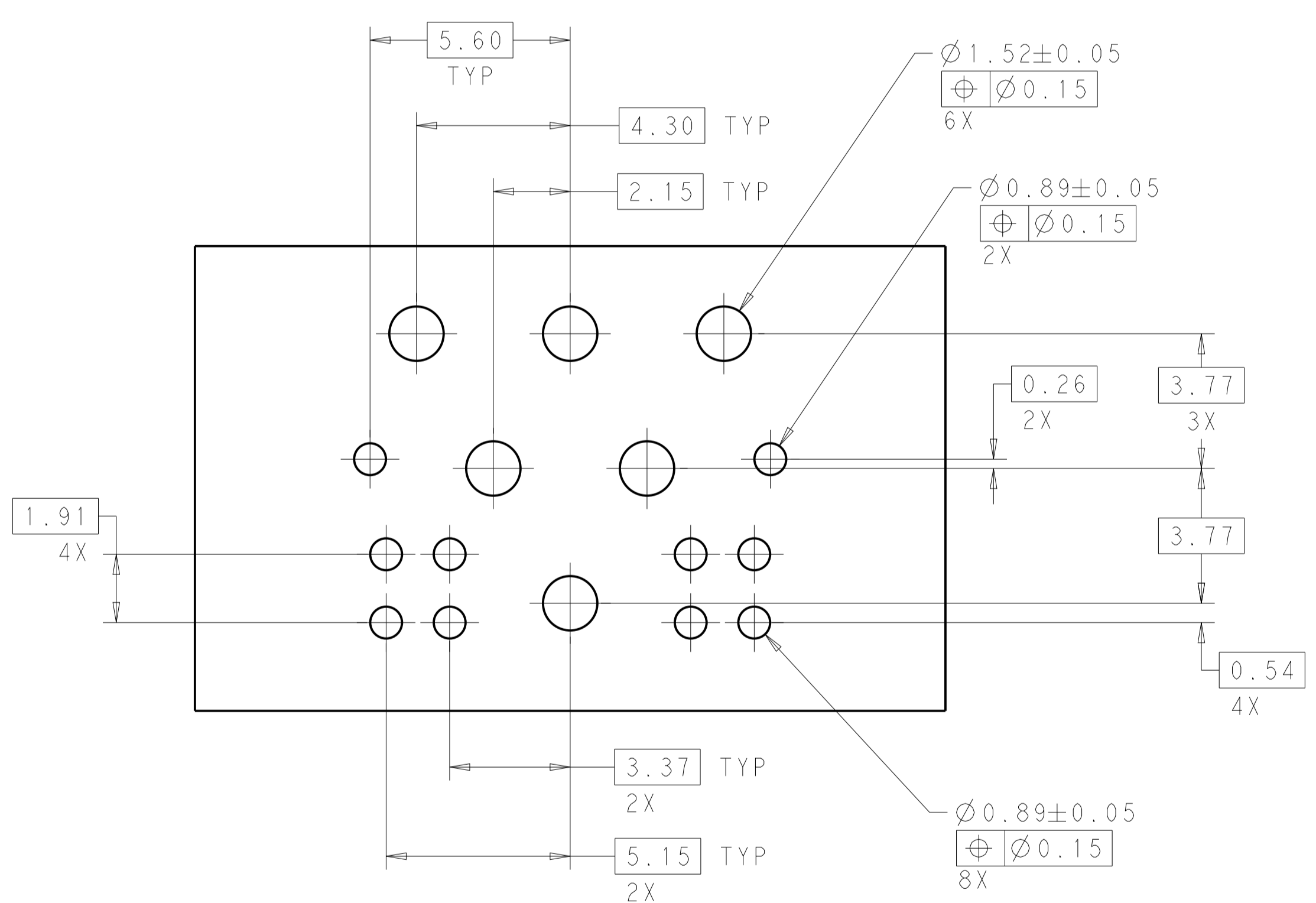
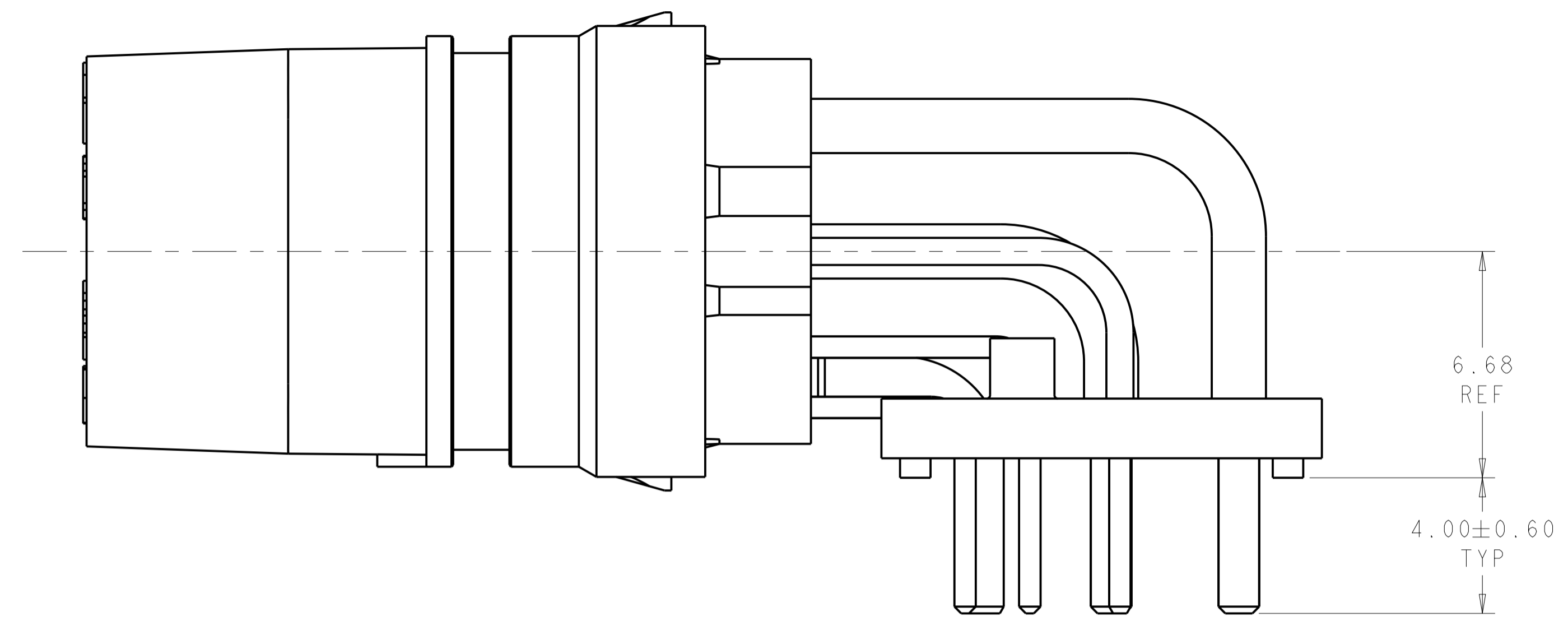
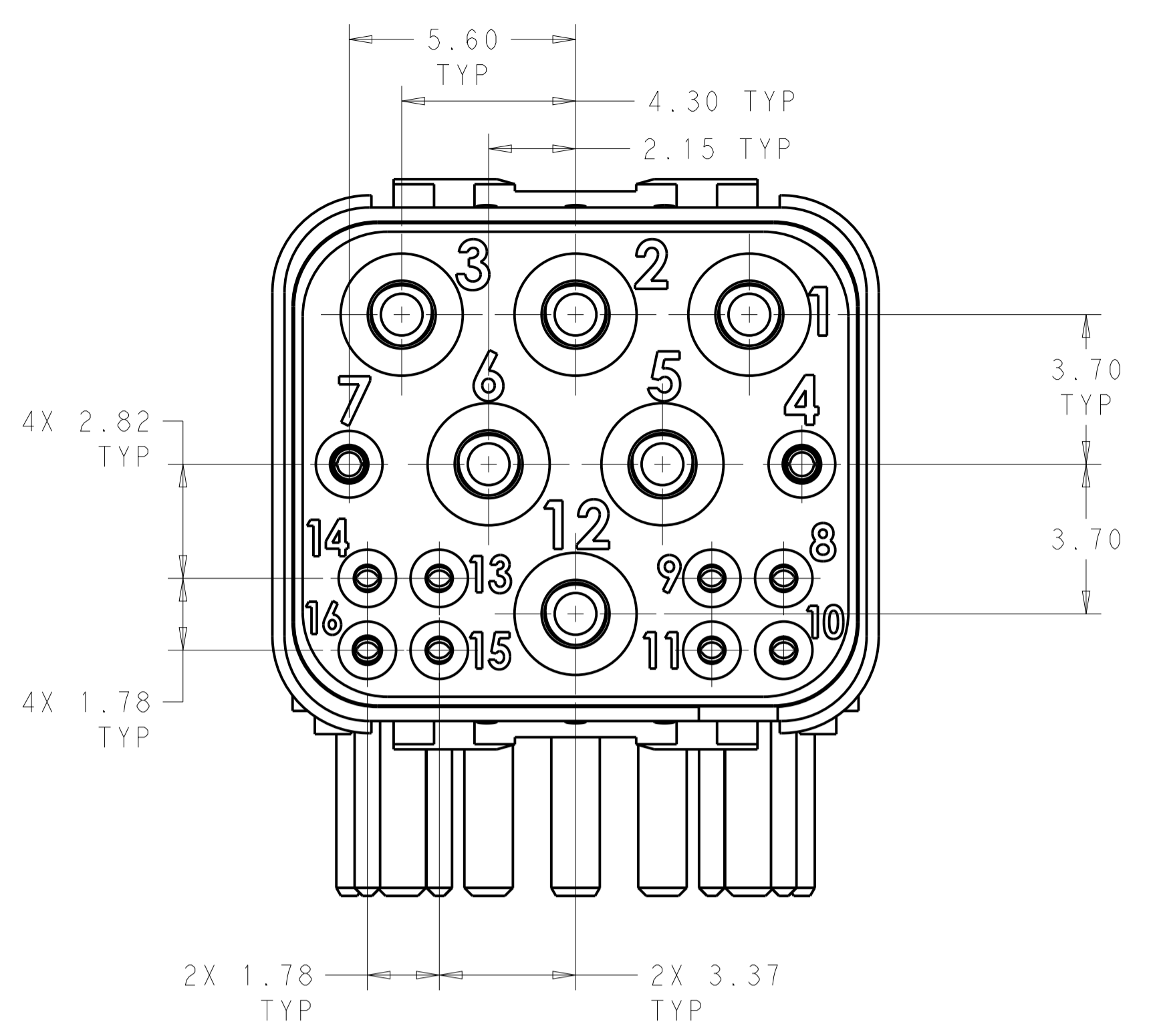
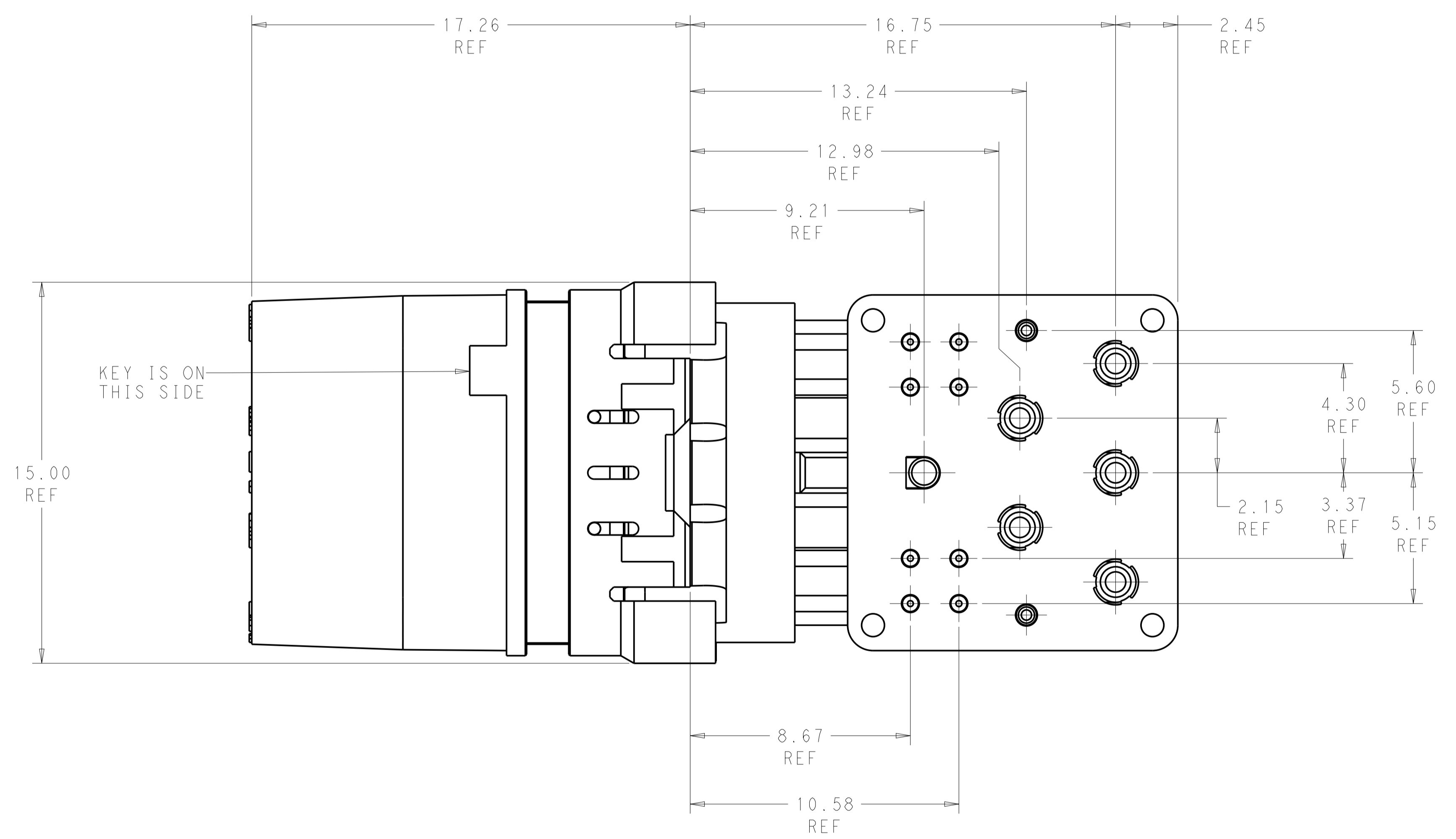


LOC		DIST		REVISIONS			
P	LTN	DESCRIPTION	DATE	DWN	APVD		
C		REVISED PER ECO-14-000346	03JAN2014	DLB	RL		
D		REVISED PER ECO-14-005494	10APR2014	DLB	RL		
E		REVISED PER ECO-14-009260	13JUN2014	DLB	RL		
F		REVISED PER ECO-14-010435	11JUL2014	DLB	RL		



PCB LAYOUT

ASSEMBLY, SOCKET INSERT
RIGHT ANGLE



KEY IS ON THIS SIDE

PART NUMBER	FINISH ON EXTENDED TAILS	6 SIZE 16 TAIL DIAMETER	2 SIZE 22 TAIL DIAMETER	8 SIZE 24 TAIL DIAMETER
-1	GOLD	1.20 ± 0.03	0.64 ± 0.03	0.64 ± 0.03

SUPERCEDED BY 2286453-1	LOW COST STANDARD	2226413-2
	DESCRIPTION	PART NUMBER

CURRENT RATING			
SIZE	SIZE 16	SIZE 22	SIZE 24
CURRENT RATING (A)	15	5.4	3

THIS DRAWING IS A CONTROLLED DOCUMENT. DWN: D BROCKWAY 30MAY2013, CHK: R LUENTF 30MAY2013, APVD: -

DIMENSIONS: mm. TOLERANCES UNLESS OTHERWISE SPECIFIED: 0 PLC ±, 1 PLC ±0.5, 2 PLC ±0.50, 3 PLC ±, 4 PLC ±, ANGLES ±.

MATERIAL: -. FINISH: -. WEIGHT: -. CUSTOMER DRAWING

PRODUCT SPEC: -. APPLICATION SPEC: -. SIZE: A1. CAGE CODE: -. DRAWING NO: 100779. RESTRICTED TO: -. SCALE: 8:1. SHEET: 1 OF 1. REV: F.

STE TE Connectivity

ASSEMBLY, SOCKET INSERT
RIGHT ANGLE
16-02 MODULE, STANDARD PNB

©=2226413

X-ON Electronics

Largest Supplier of Electrical and Electronic Components

Click to view similar products for [TE Connectivity](#) manufacturer:

Other Similar products are found below :

[D38999/24FJ4AN](#) [570416-000](#) [CLTEQ-M81CE-SSRELAY-4-20V](#) [4-1195131-0](#) [650069-000](#) [SMD100-2](#) [358838-000](#) [CB-1022B-78](#)
[RM707012](#) [RP410012](#) [MMS42](#) [1-640426-8](#) [2EDL4CM](#) [DTS20W19-11PD-3028-LC](#) [RM202615](#) [NC6-P104-06](#) [MSPS103B](#) [DTS26F21-](#)
[41HE-LC](#) [DTS26F21-41AE](#) [DTS26F21-41PE-LC](#) [DTS26F21-11SE-3028-LC](#) [30DCB6](#) [1932144-1](#) [293545-4](#) [LVR125S](#) [MS27466T25F4PB](#)
[CKB-38-78010](#) [TR04AI-TINELLOCKRING](#) [1206SFF150F/63-2](#) [D38999/20JB35HA](#) [TE1500A2R2J](#) [D38999/20WC8BB](#) [DTS24F19-11SC-](#)
[3028-LC](#) [D38999/24WG11HA](#) [D38999/24WG11HN](#) [MS27467T21F11H](#) [DJT16E21-11HA](#) [MS27467T21F35J](#) [MS27467T21F11J](#)
[MS27467T21F16H-LC](#) [MS27467T21F35H](#) [MS27467T21F41H-LC](#) [1206SFH150F/24-2](#) [RP330024](#) [DJT16E21-11PA-LC](#) [DJT16E21-11HA-](#)
[LC](#) [DJT16E21-11AA](#) [MS27467T21B11JA](#) [DJT16E21-11JA](#) [MS27467T21B11JA-LC](#)