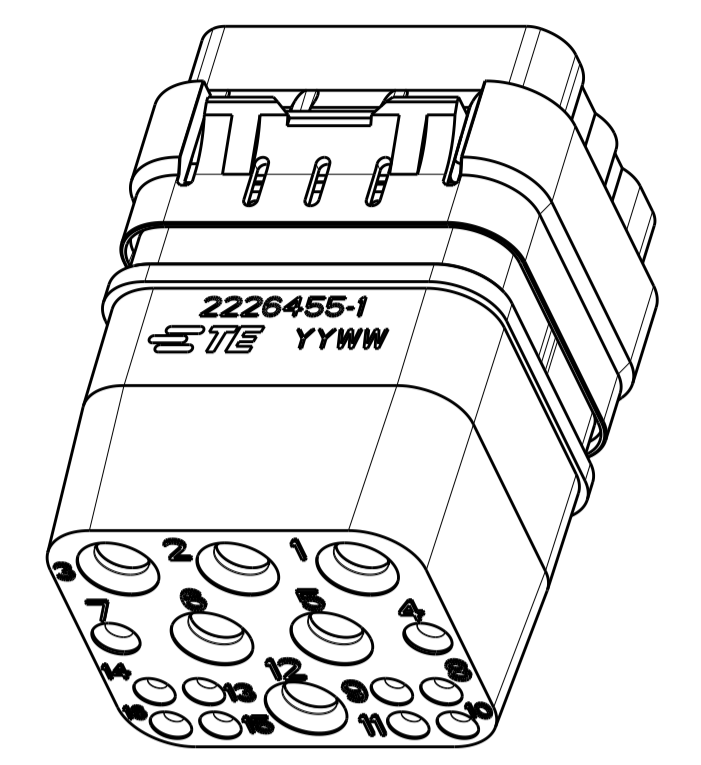
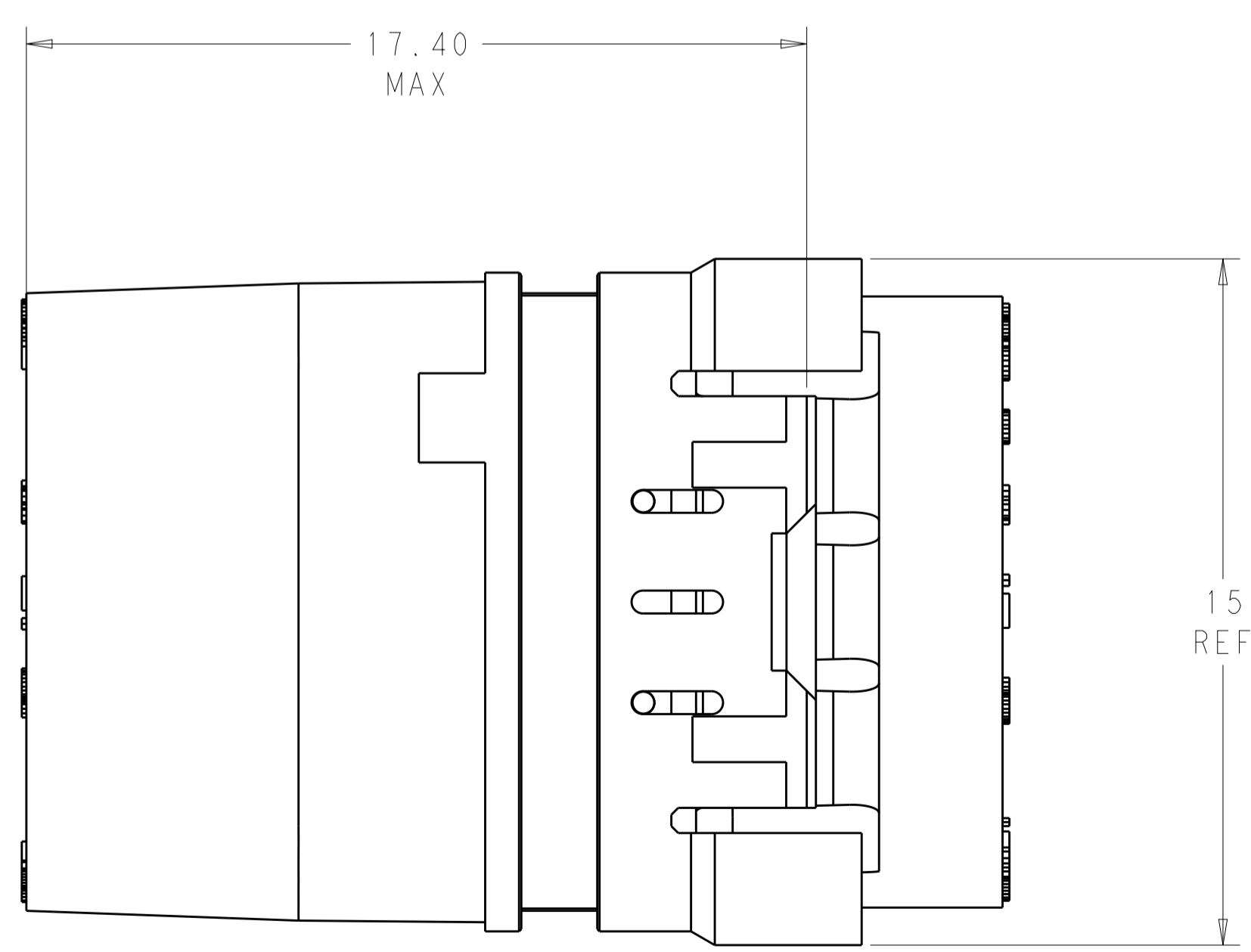
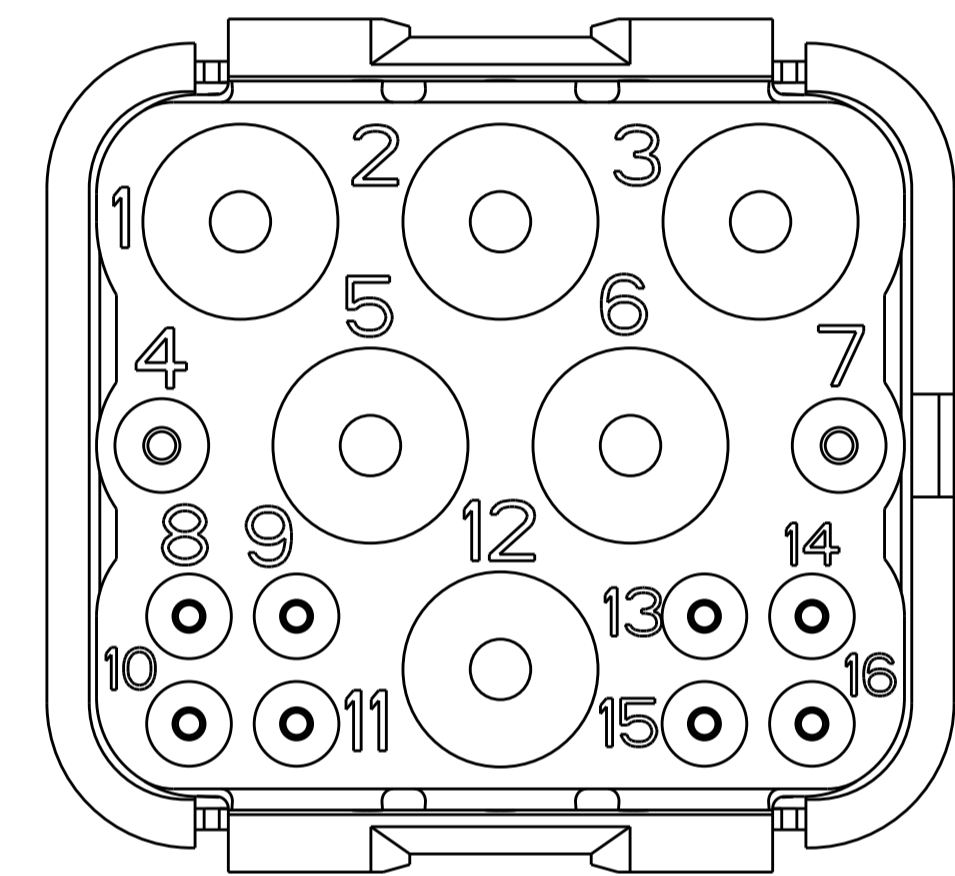
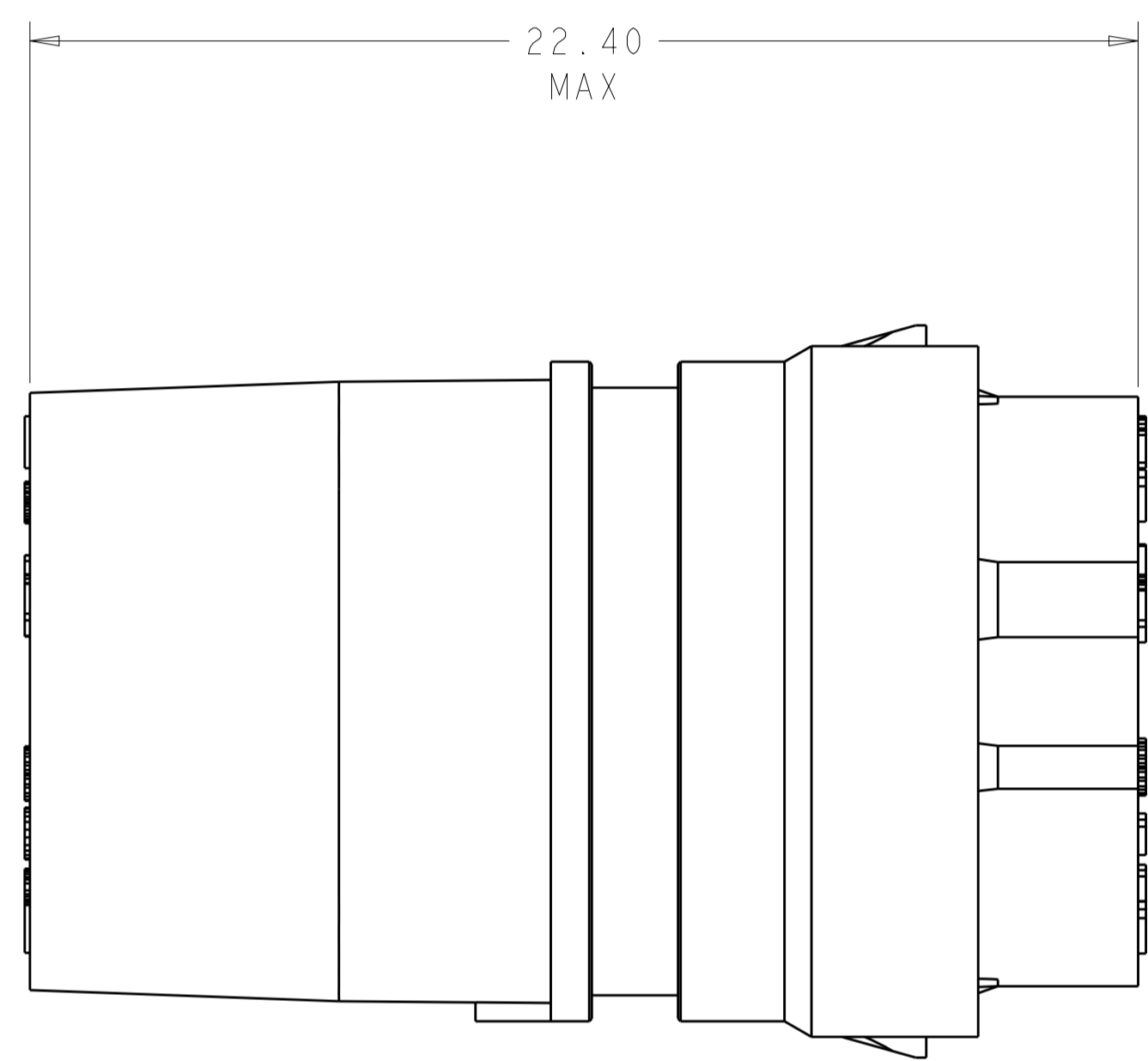
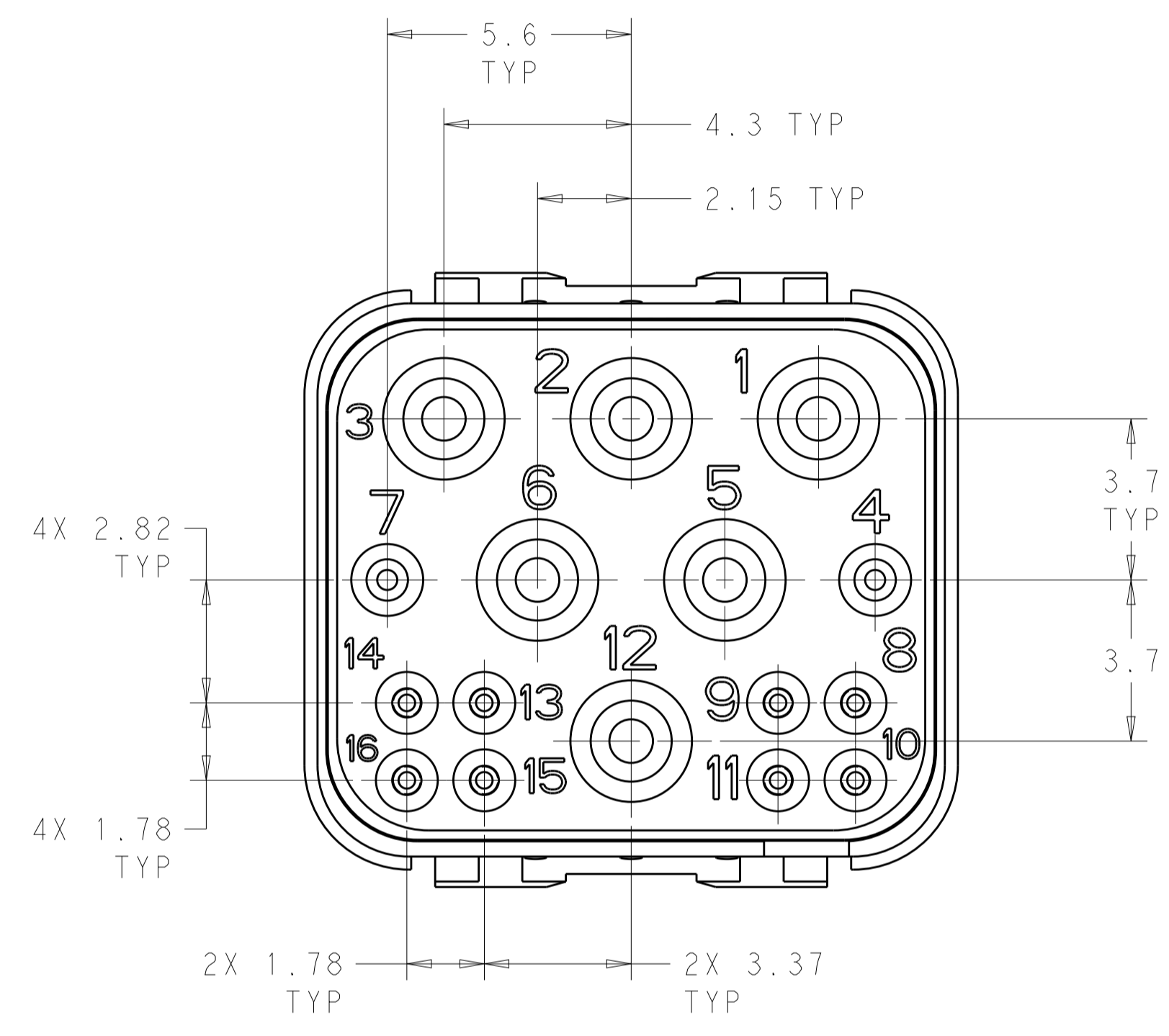


1. TEMPERATURE RANGE: -55°C TO +175°C
2. MATERIAL: THERMOPLASTIC, FLUOROSILICONE
3. CHARACTERISTICS:
  - DELIVERED WITHOUT CONTACTS, MUST BE ORDERED SEPARATELY.
  - SOCKET #16 CONTACTS (QTY=6) PER MIL-C 39029/57-358 (DEUTSCH P/N 38946-16L)
  - SOCKET #22 CONTACTS (QTY=2) PER MIL-C 39029/57-354 (DEUTSCH P/N 38946-22L)
  - SOCKET GbE CONTACTS (QTY=8) (DEUTSCH P/N 605704 OR 724-0003-24 OR TE P/N 2226892-1)
4. HAND CRIMP TOOL FOR GbE CONTACTS:
  - DMC M22520/2-01, SETTING NUMBER 3
  - POSITIONER: K1586
5. COMPATIBLE WITH ARINC 809 PLUG SHELLS (DEUTSCH P/N DMC-MD20 SERIES)
6. COMPATIBLE WITH ARINC 809 RECEPTACLE SHELLS (DEUTSCH P/N DMC-MD24 AND DMC-MD26 SERIES)

REVISIONS				
P.	LTN	DESCRIPTION	DATE	APVD
H		REV PER ECO 19-016450	11-22-19	CT RL



SCALE 4:1



2226455-1  
ASSEMBLY, SOCKET, INSERT MODULE

2226455-1  
PART NUMBER

THIS DRAWING IS A CONTROLLED DOCUMENT.		DWN: D BROCKWAY 29MAY2013	TE Connectivity
		CHK: R LUENTE 29MAY2013	
DIMENSIONS: mm 		TOLERANCES UNLESS OTHERWISE SPECIFIED: 0 PLC ± 1 PLC ±0.5 2 PLC ±0.13 3 PLC ±0.013 4 PLC ±0.001 ANGLES ±0.0001	NAME: SOCKET INSERT, MODULE CABLE ATTACH, GbE + POWER
MATERIAL: -		FINISH: -	PRODUCT SPEC: - APPLICATION SPEC: - SIZE: A   00779   C=2226455 CUSTOMER DRAWING
		WEIGHT: - SCALE: 8:1	RESTRICTED TO: - SHEET 1 OF 1 REV H

## X-ON Electronics

Largest Supplier of Electrical and Electronic Components

*Click to view similar products for [Automotive Connectors](#) category:*

*Click to view products by [TE Connectivity](#) manufacturer:*

Other Similar products are found below :

[003-018-000](#) [60403001](#) [60993906-B](#) [M902-2131](#) [M902-2161](#) [M902-2344](#) [72.330.1035.1](#) [73.353.4028.0](#) [F119300-B](#) [F166900](#) [F258300-B](#)  
[F358300-B](#) [F407400](#) [F444110](#) [F487000](#) [F509500B-B](#) [827153-1](#) [8N1515-32-24P](#) [9-1326729-8](#) [925474-1](#) [928905-1](#) [964562-4](#) [968782-1](#)  
[GT17SA-8DS-HU](#) [98891-1012](#) [98947-1016](#) [12004147](#) [12004475-L](#) [12010290](#) [12010309-B](#) [12015454](#) [12020219-B](#) [12041318-B](#) [12052225-](#)  
[L](#) [12052466](#) [12064869](#) [12004327-B](#) [12015308](#) [12015384](#) [12015909](#) [1-21030-1](#) [12041254](#) [12041318](#) [12047946-B](#) [12047957](#) [12047957-L](#)  
[12059473](#) [12066261](#) [12110546](#) [12110546-B](#)