

THIS DRAWING IS UNPUBLISHED.

RELEASED FOR PUBLICATION

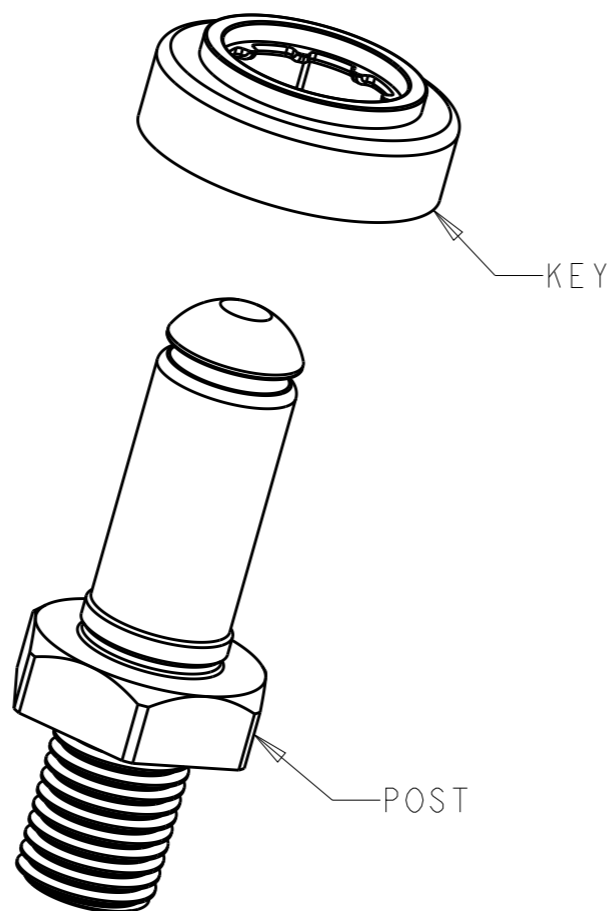
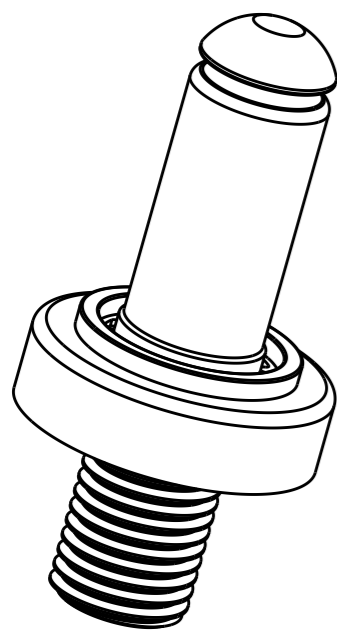
20

© COPYRIGHT 20 BY -

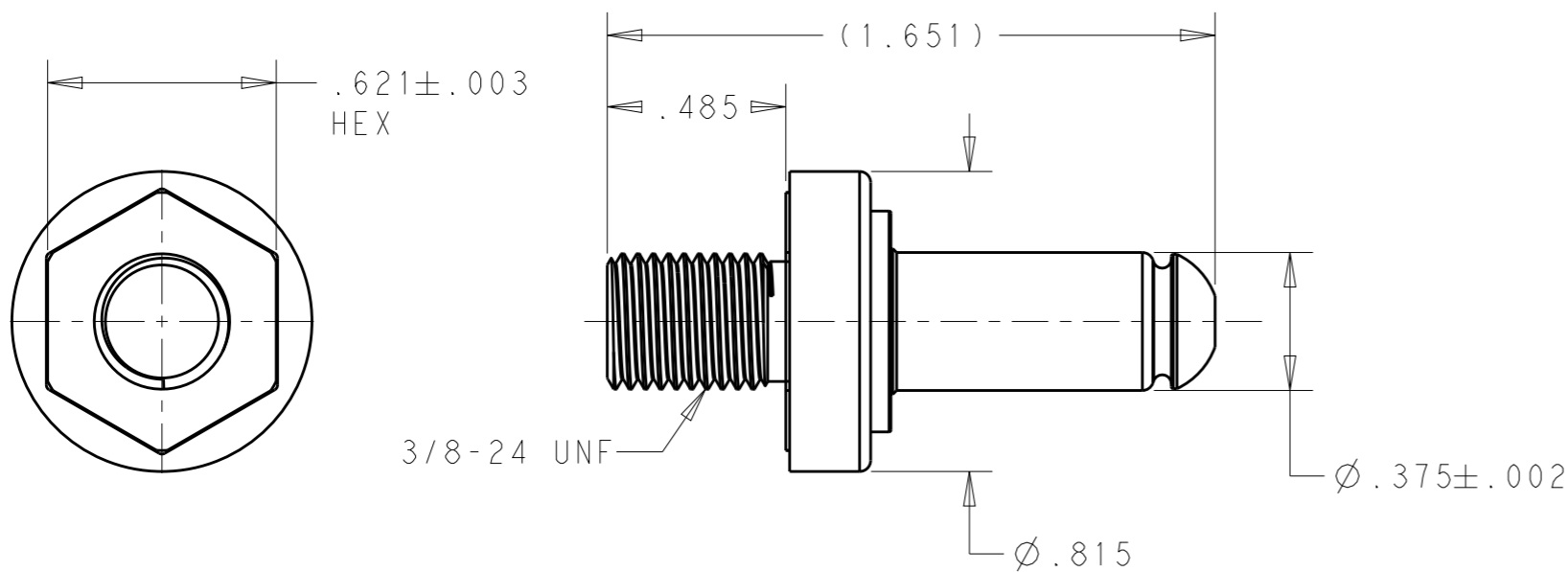
ALL RIGHTS RESERVED.

REVISIONS

P	LTR	DESCRIPTION	DATE	DWN	APVD
	B	REV PER ECO 16-014336	10-28-16	CT	PD



- 1 KEY: THERMOPLASTIC, COLOR: PER TABLE  
POST: COPPER ALLOY
- 2 POST: SILVER OVER NICKEL
- 3. DO NOT ASSEMBLE KEY ONTO POST UNTIL POST IS INSTALLED
- 4. KIT WILL CONTAIN:  
1 POST  
1 KEY



BLACK	2226744-8
RED	2226744-7
BLUE	2226744-6
YELLOW	2226744-5
KEY COLOR	PART NUMBER

THIS DRAWING IS A CONTROLLED DOCUMENT.		DWN 18SEP2014 MCKIBBEN, JOHN		TE Connectivity	
DIMENSIONS: INCHES		CHK 18SEP2014 OH, LAWRENCE			
		TOLERANCES UNLESS OTHERWISE SPECIFIED:		NAME KIT, SNAP-LUG, KEY AND POST	
0 PLC ±- 1 PLC ±.1 2 PLC ±.02 3 PLC ±.005 4 PLC ±.0005 ANGLES ±-		APVD 17OCT2014 FUJIMOTO, JOHN		PRODUCT SPEC 108-32083	
MATERIAL		FINISH		APPLICATION SPEC 114-32130	
1		2		WEIGHT .072 lbs	
CUSTOMER DRAWING				SIZE A3	CAGE CODE -
				DRAWING NO C-2226744	RESTRICTED TO -
				SCALE 2:1	SHEET 1 OF 1
				REV B	

## X-ON Electronics

Largest Supplier of Electrical and Electronic Components

*Click to view similar products for [Heavy Duty Power Connectors](#) category:*

*Click to view products by [TE Connectivity](#) manufacturer:*

Other Similar products are found below :

[647757-1](#) [6643411-1](#) [6646058-2](#) [6646137-1](#) [6646138-1](#) [6646479-1](#) [6646608-1](#) [6646786-1](#) [6646940-1](#) [6651091-1](#) [6651525-1](#) [6651529-1](#)  
[6651788-1](#) [696475-1](#) [702-32-01109](#) [703-25-02205](#) [73000005059](#) [73000005642](#) [73080255059](#) [73080965046](#) [765-15-0080A](#) [765-16-0080B](#)  
[765-18-0080D](#) [829992-1](#) [902-77-02113](#) [PS00/A0620/6300](#) [PS25/A0420/63](#) [129-1J](#) [1409400](#) [AN0024023](#) [E6374G1](#) [e6389g2](#) [157-43GW8](#)  
[MS3117-14AC](#) [1643543-1](#) [1650540-1](#) [1651811-2](#) [1766260-1](#) [1766282-1](#) [1766966-1](#) [1791340000](#) [NLDFT-3-BL-L-S120-M40A](#) [NLDFT-N-](#)  
[W-L-C240-M40B](#) [NLS-2-R-C240-M40B](#) [NLS-N-W-C240-M40B](#) [NPS-3-BL-T6](#) [1986615-1](#) [2-1589900-8](#) [2199314-1](#) [KA8102](#)