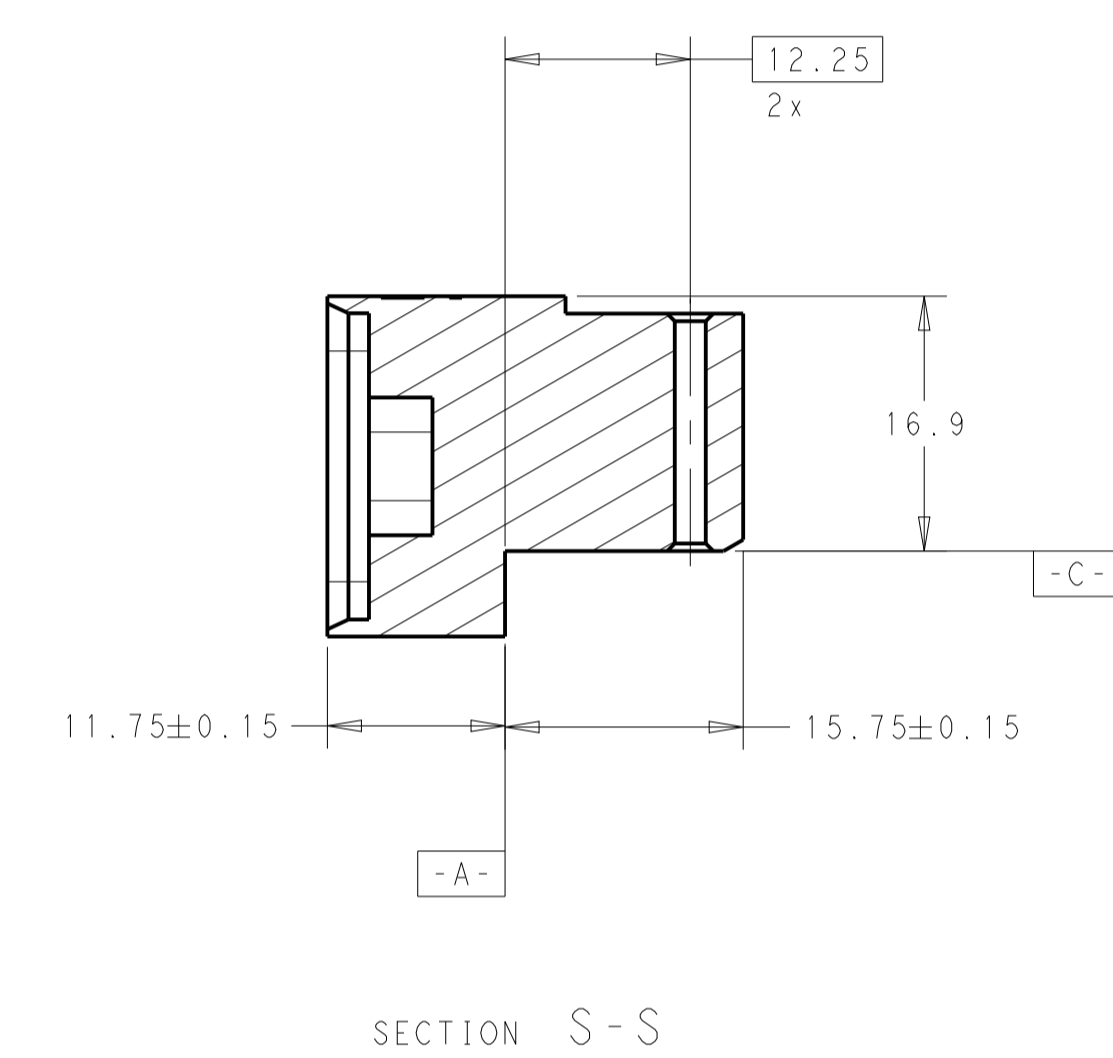
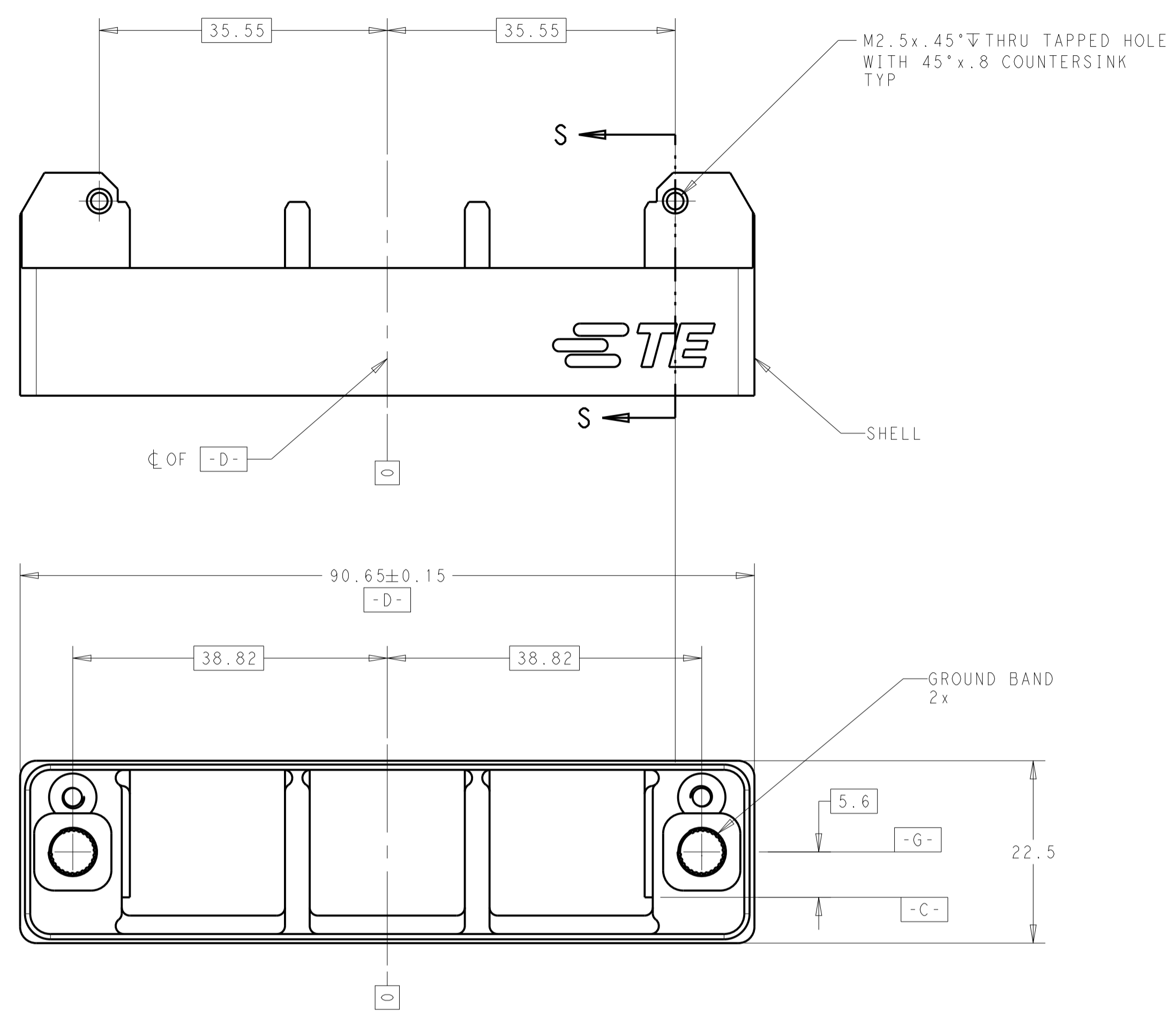
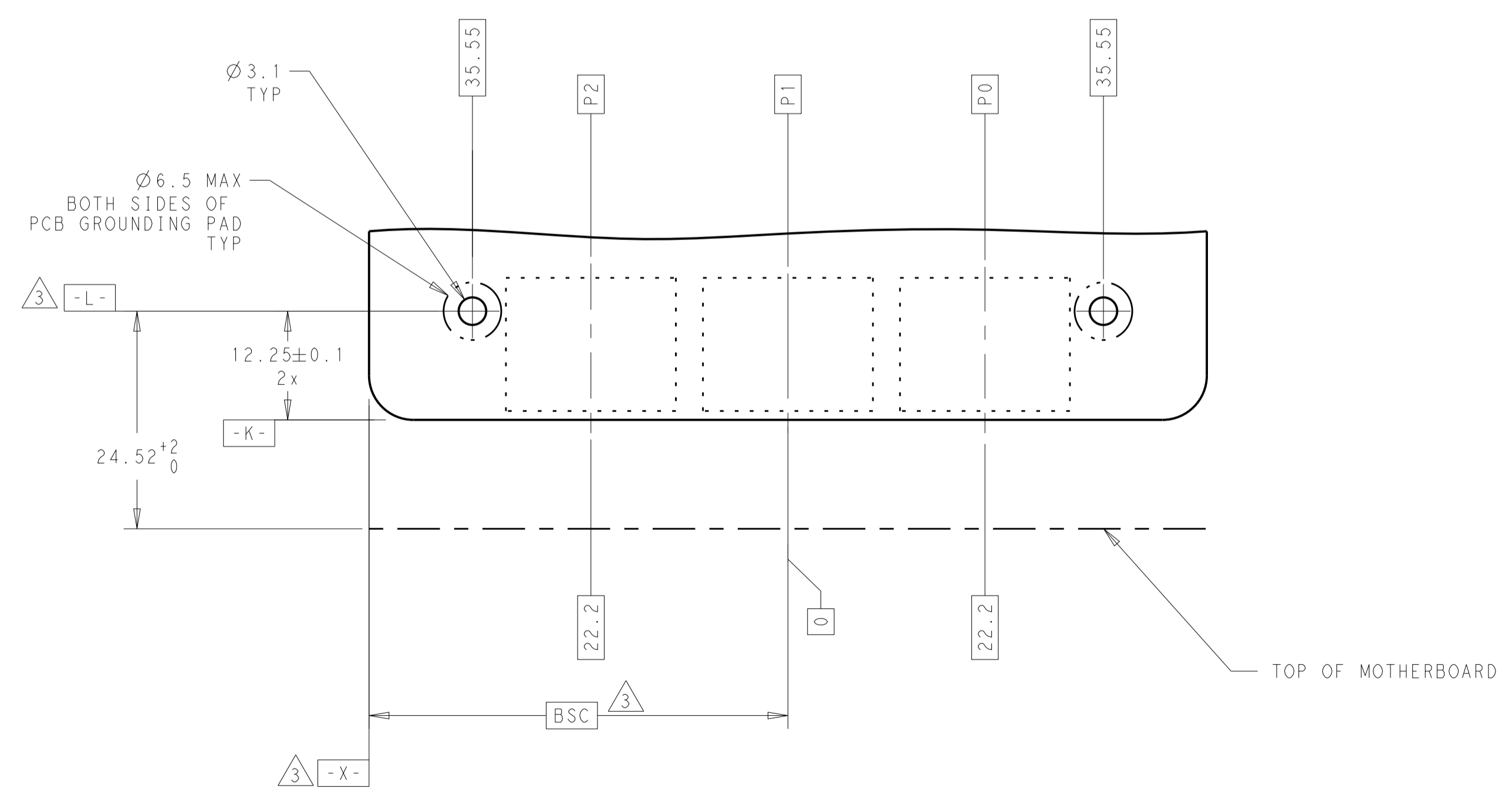


REVISIONS				
P.	LTN	DESCRIPTION	DATE	APPV
A		RELEASED PER ECO 14-016072	11-6-14	CT DH



2226783-1 SHOWN



- 1 MATERIAL:
SHELL: ALUMINUM ALLOY
GROUND BANDS: COPPER ALLOY
- 2 FINISH:
SHELL: TRIVALENT CHROMATE, 96 HOUR SALT SPRAY CAPABLE.
GROUND BANDS: 0.25µm MIN GOLD OVER NICKEL
- 3 DATUMS AND BASIC DIMENSIONS ESTABLISHED BY CUSTOMER.

SIZE	CAGE CODE	DRAWING NO	RESTRICTED TO
65.5	4	8	2226783-5
58.8	3	8	2226783-4
66.1	4	9	2226783-3
38.3	2	4	2226783-2
33.9	2	3	2226783-1
APPROX. WEIGHT g	SHELL TO PCB MOUNTING POINTS	# OF BAYS	PART NUMBER

PCB INSERT LOCATIONS

THIS DRAWING IS A CONTROLLED DOCUMENT. DWN: D. BELACK 25NOV2013
 CHK: K. THACKSTON 11-25-13
 APPV: M. McALONIS 11-25-13

STE TE Connectivity

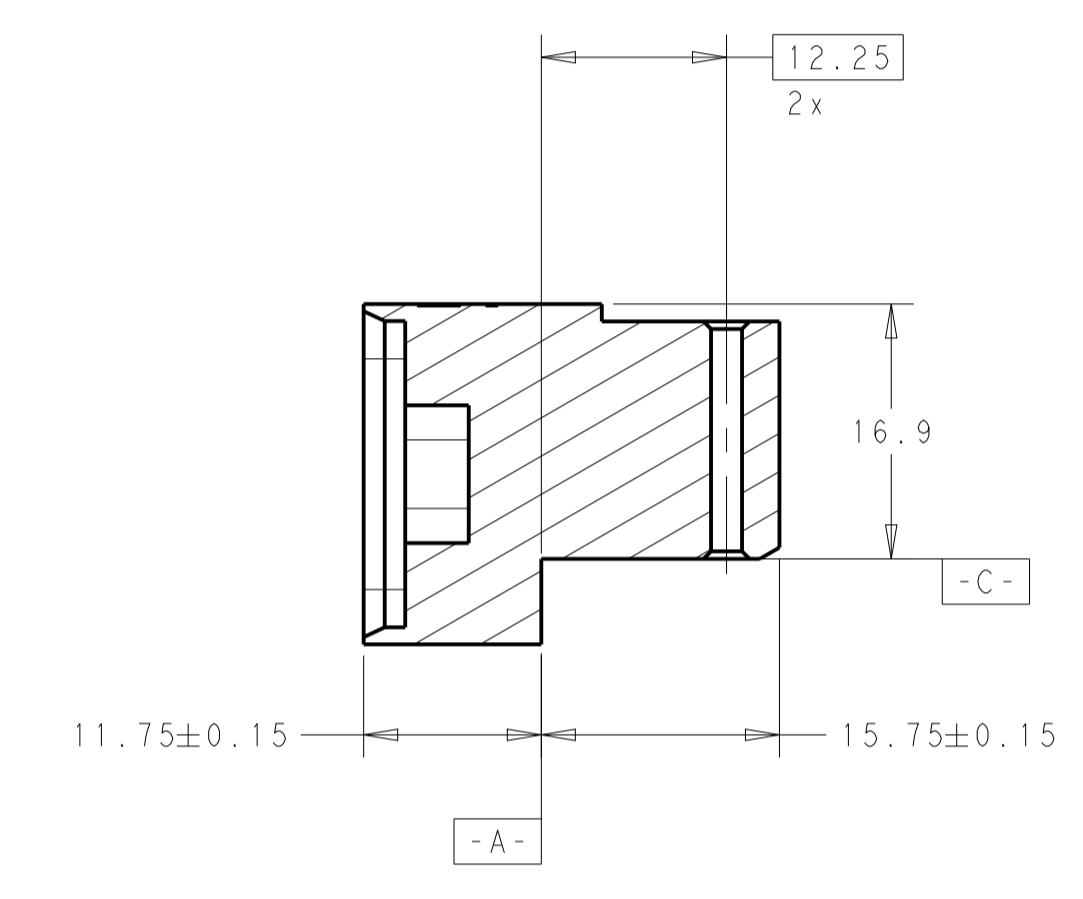
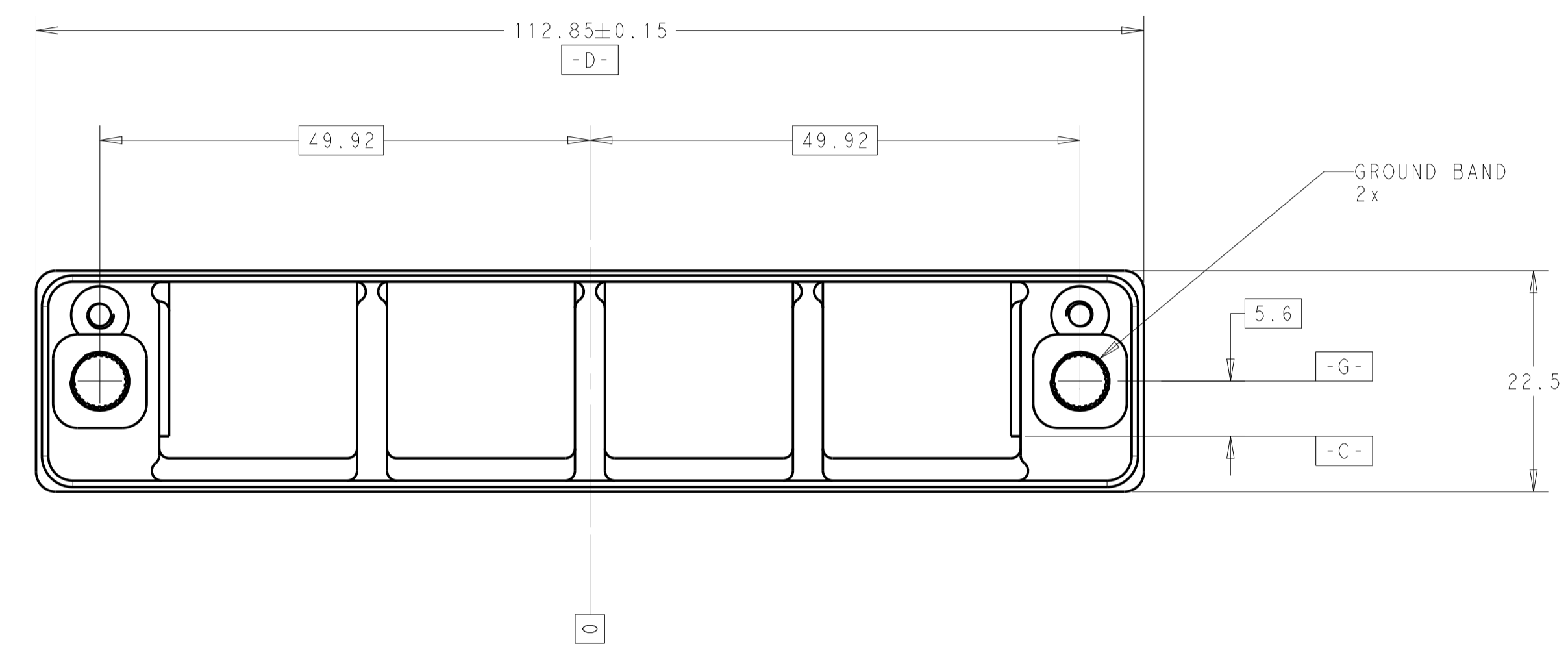
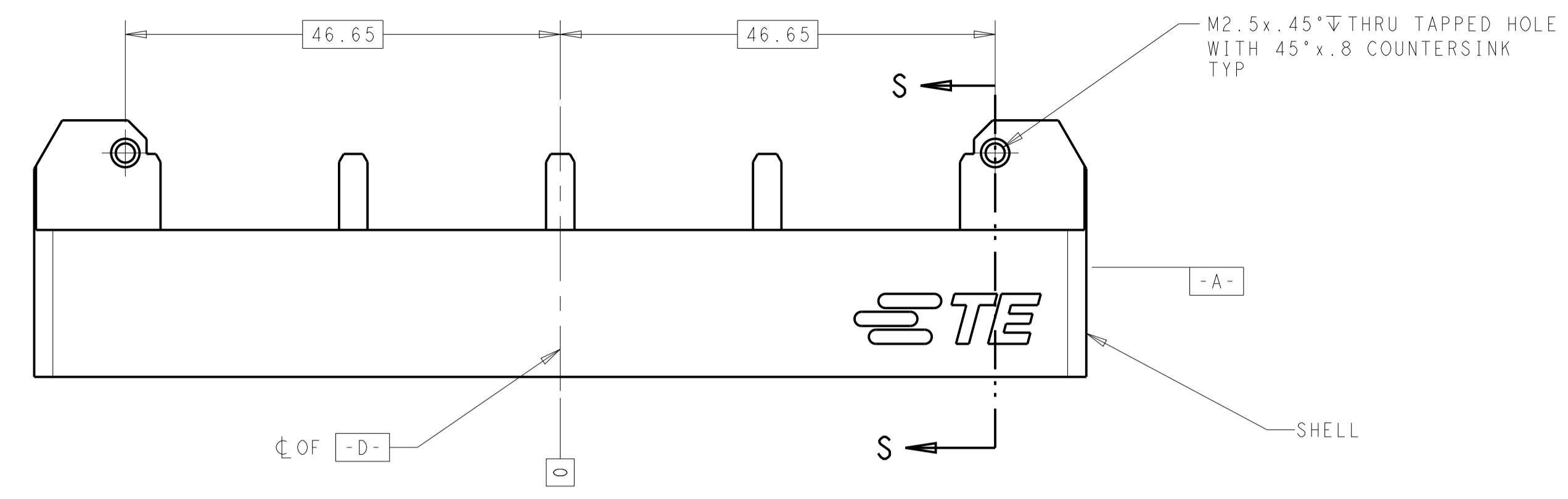
NAME: Fortis Zd LRM, DAUGHTER CARD, RIGHT ANGLE, SHELL ASSEMBLY

PRODUCT SPEC: 108-2474
 APPLICATION SPEC: 408-10464

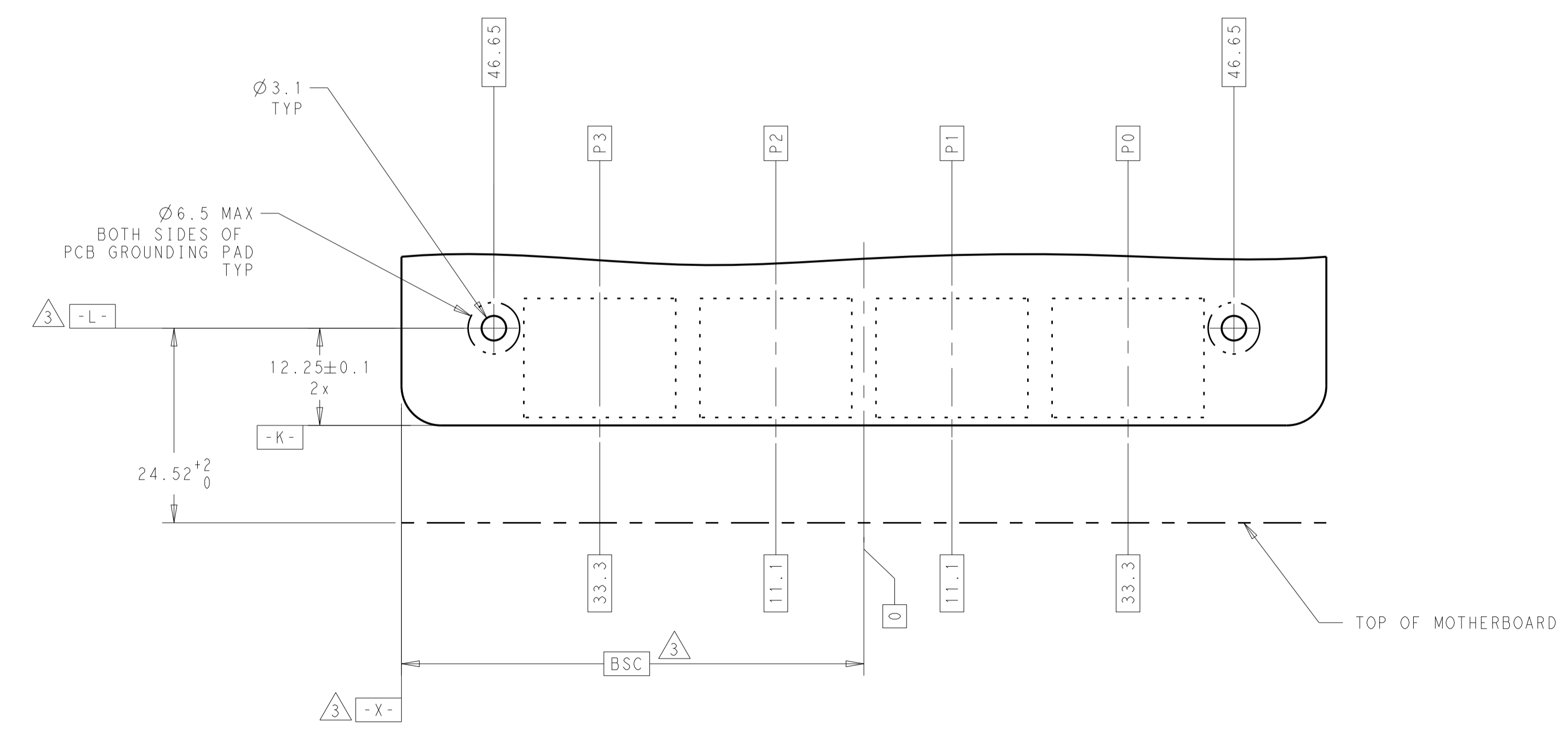
MATERIAL: 1
 FINISH: 2

Customer Drawing SCALE: 2:1 SHEET 1 OF 5 REV A

REVISIONS				
P.	LTN	DESCRIPTION	DATE	APVD
-	SEE SHEET 1			



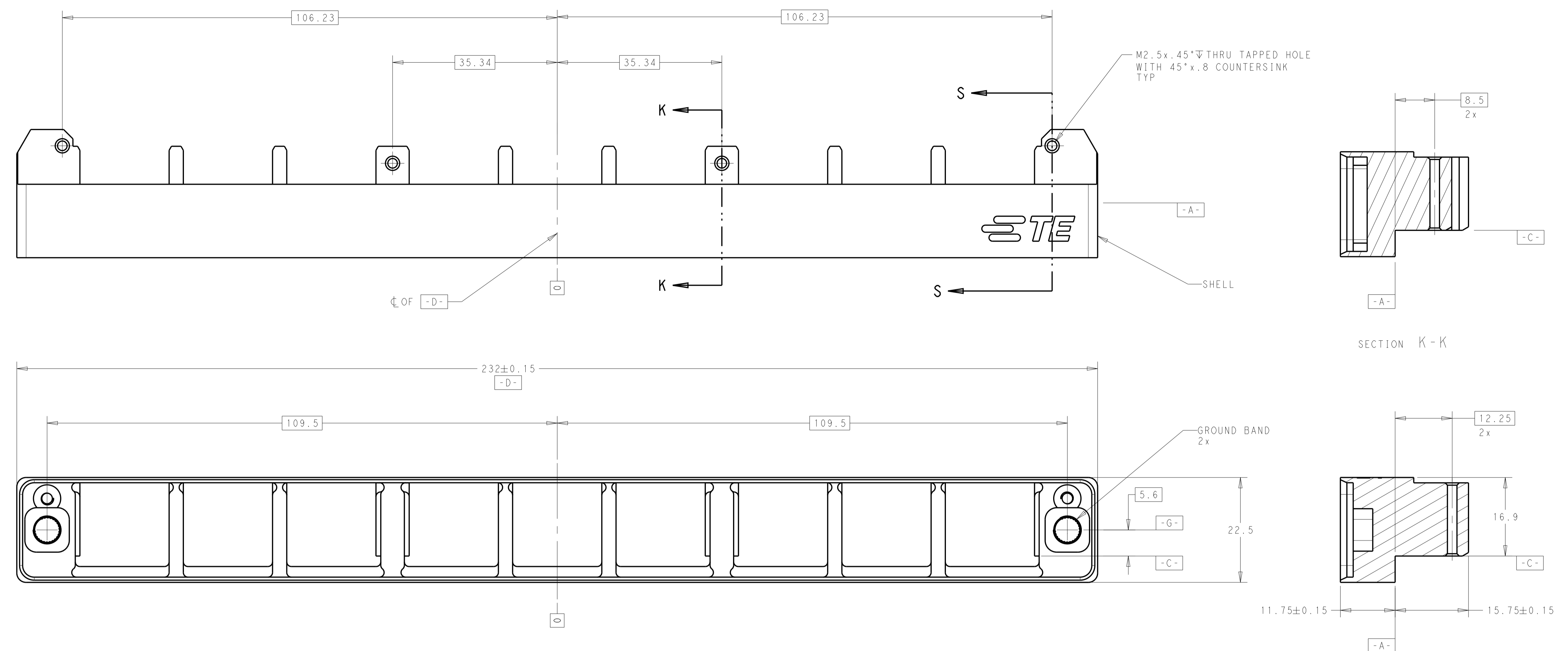
2226783-2 SHOWN



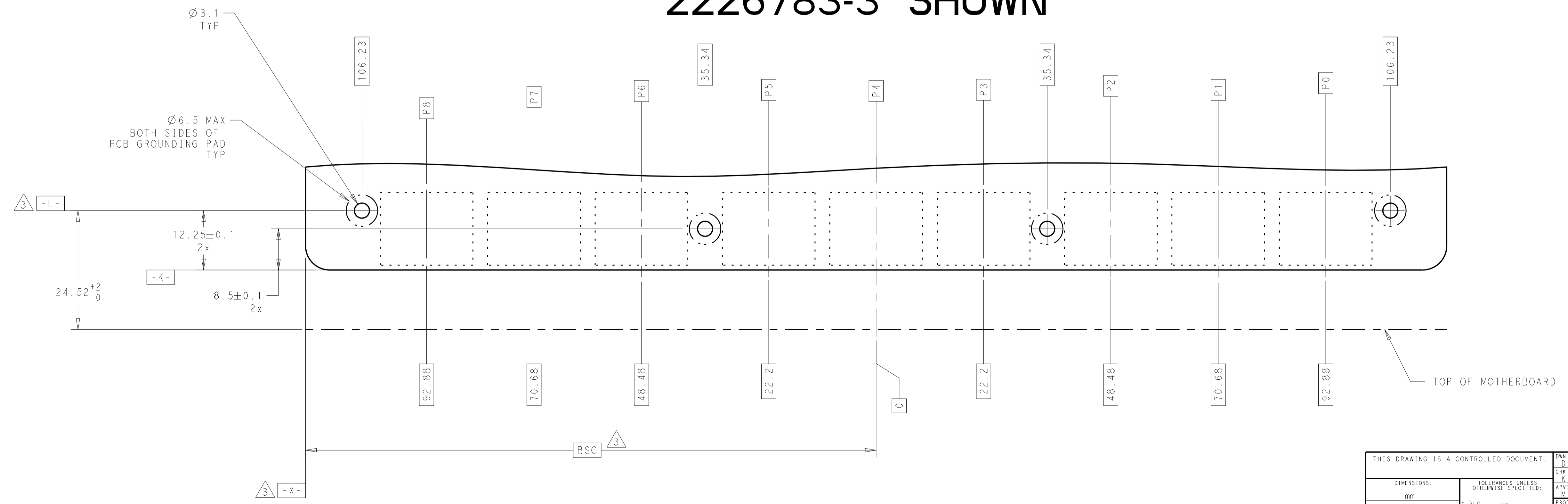
PCB INSERT LOCATIONS

THIS DRAWING IS A CONTROLLED DOCUMENT.		DWN D. BELACK	25NOV2013		TE Connectivity
DIMENSIONS: mm		CHK K. THACKSTON	11-25-13		NAME Fortis Zd LRM, DAUGHTER CARD, RIGHT ANGLE, SHELL ASSEMBLY
TOLERANCES UNLESS OTHERWISE SPECIFIED:		APVD M. McALONIS	11-25-13	PRODUCT SPEC 108-2474	RESTRICTED TO
0 PLC ±.13		APPLICATION SPEC 408-10464		SIZE A1	SCALE 1:1
1 PLC ±0.05		WEIGHT		CAGE CODE 2226783	SHEET 2 OF 5
2 PLC ±0.025		FINISH		Customer Drawing	REV A
3 PLC ±.02		MATERIAL			
4 PLC ±.02		ANGLES			
ANGLES ±2°					

REVISIONS				
P.	LTR.	DESCRIPTION	DATE	APP'D.
-	-	SEE SHEET 1	-	-



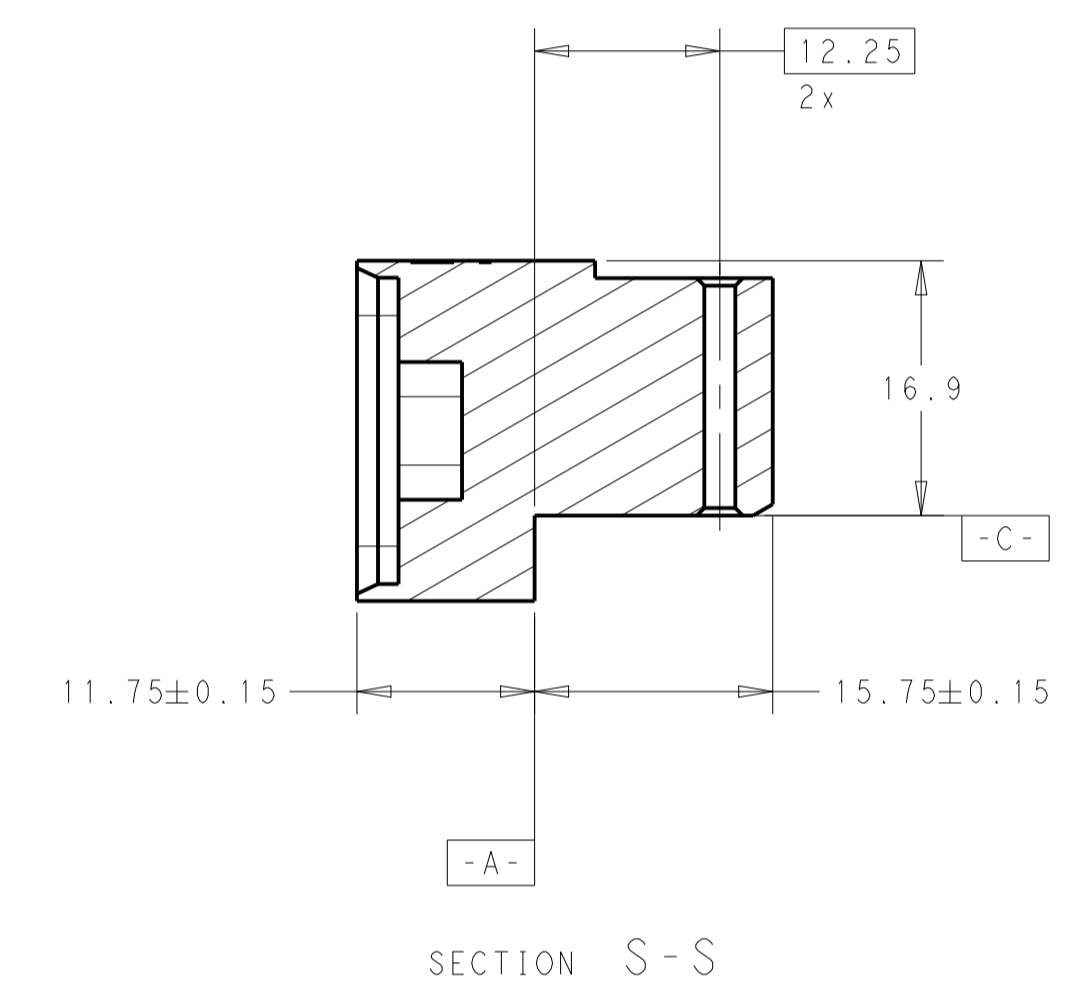
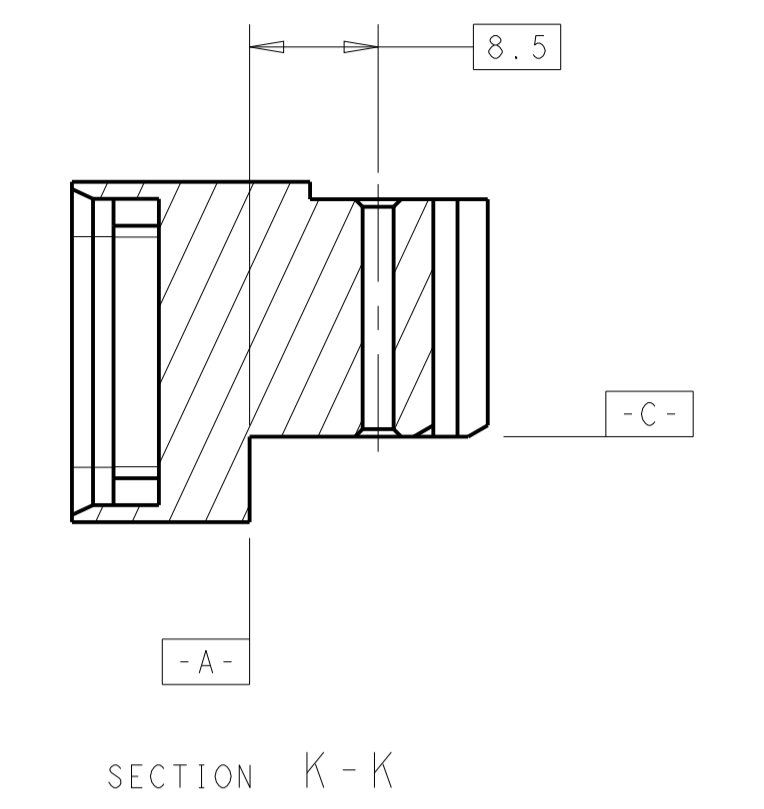
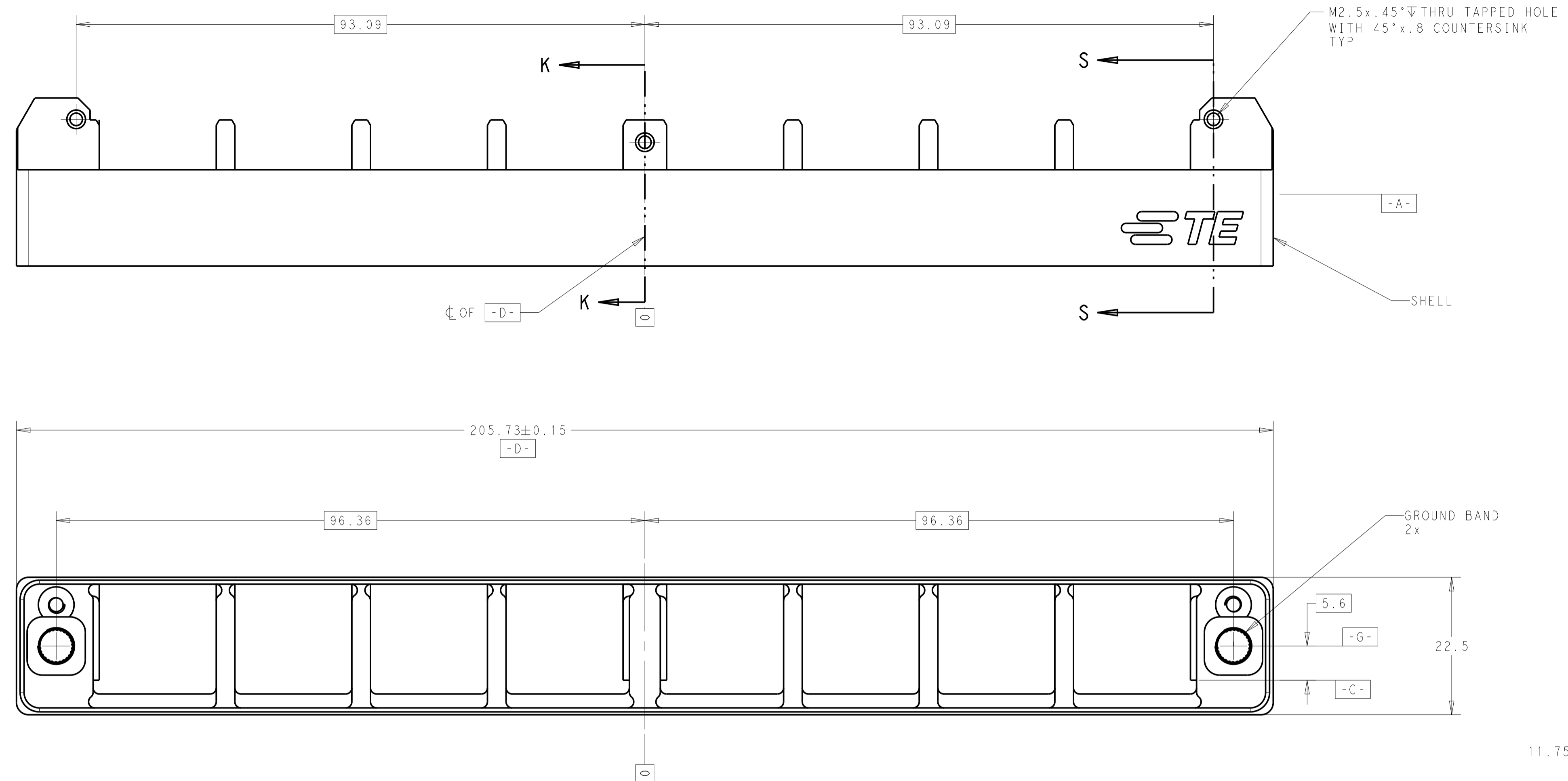
2226783-3 SHOWN



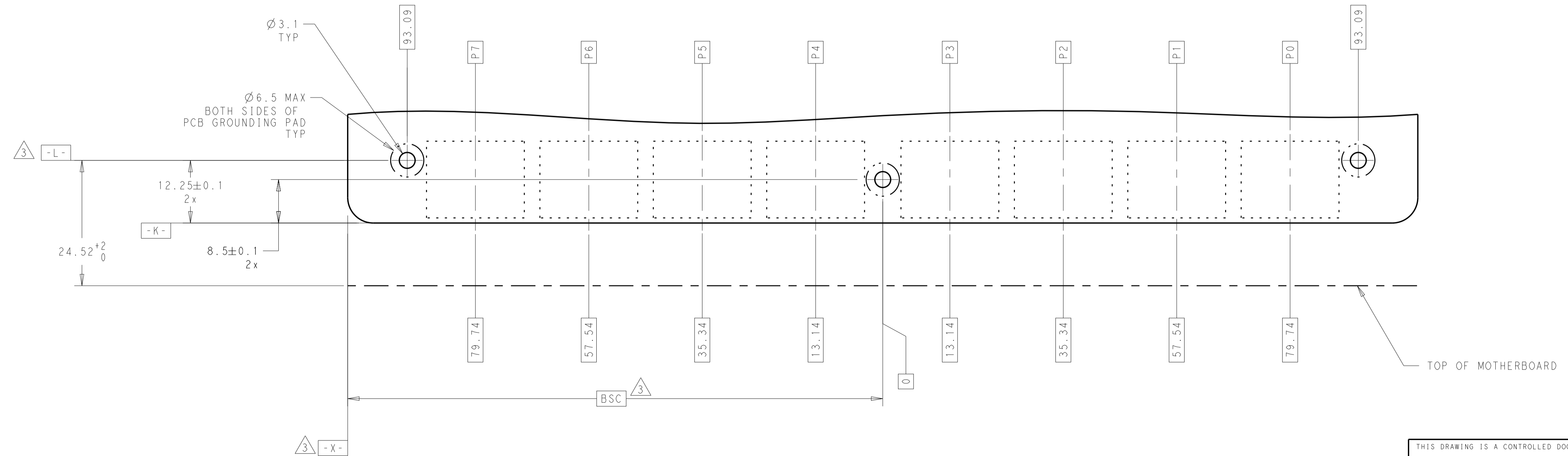
PCB INSERT LOCATIONS

THIS DRAWING IS A CONTROLLED DOCUMENT.		OWN: D. BELACK 25NOV2013	TE Connectivity Fortis Zd LRM, DAUGHTER CARD, RIGHT ANGLE, SHELL ASSEMBLY
DIMENSIONS: mm		CHK: K. THACKSTON 11-25-13	
TOLERANCES UNLESS OTHERWISE SPECIFIED:		APP'D: M. McALONIS 11-25-13	NAME: Customer Drawing
Ø	PLC	±0.13	PRODUCT SPEC: 108-2474
Ø	PLC	±0.05	APPLICATION SPEC: 408-10464
Ø	PLC	±0.025	SIZE: A1
Ø	PLC	±0.025	CAGE CODE: -
Ø	PLC	±0.025	DRAWING NO: 2226783
Ø	PLC	±0.025	RESTRICTED TO: -
Ø	PLC	±0.025	SCALE: 1:1
Ø	PLC	±0.025	SHEET: 3 OF 5
Ø	PLC	±0.025	REV: A

REVISIONS				
P.	LTN.	DESCRIPTION	DATE	APVD.
-	-	SEE SHEET 1	-	-



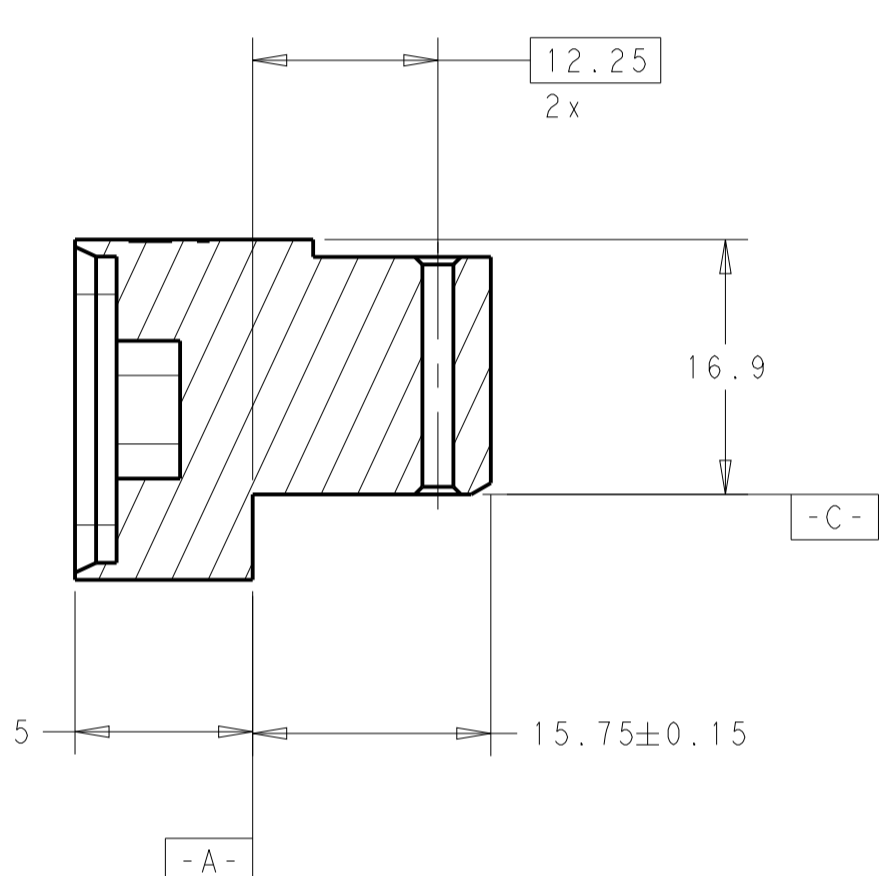
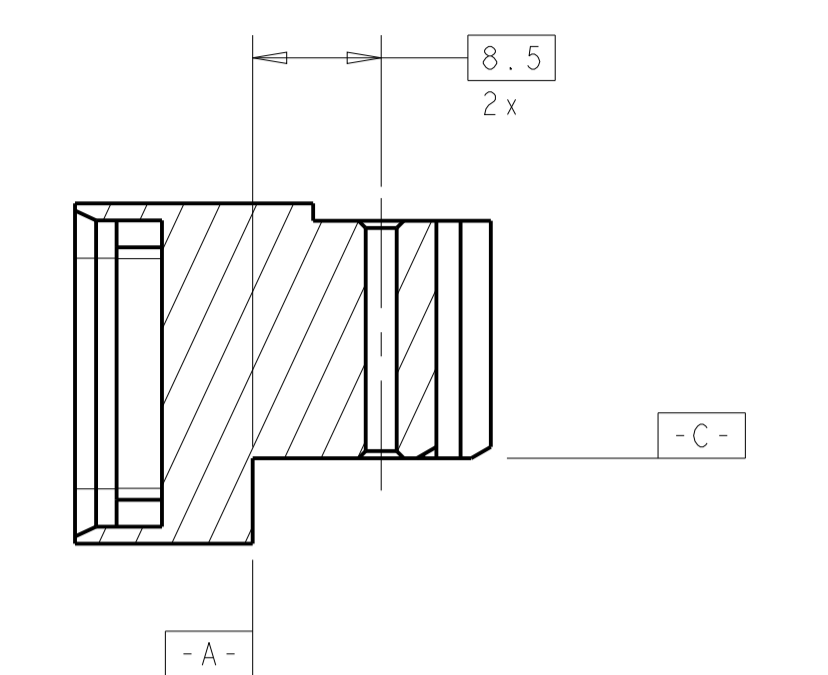
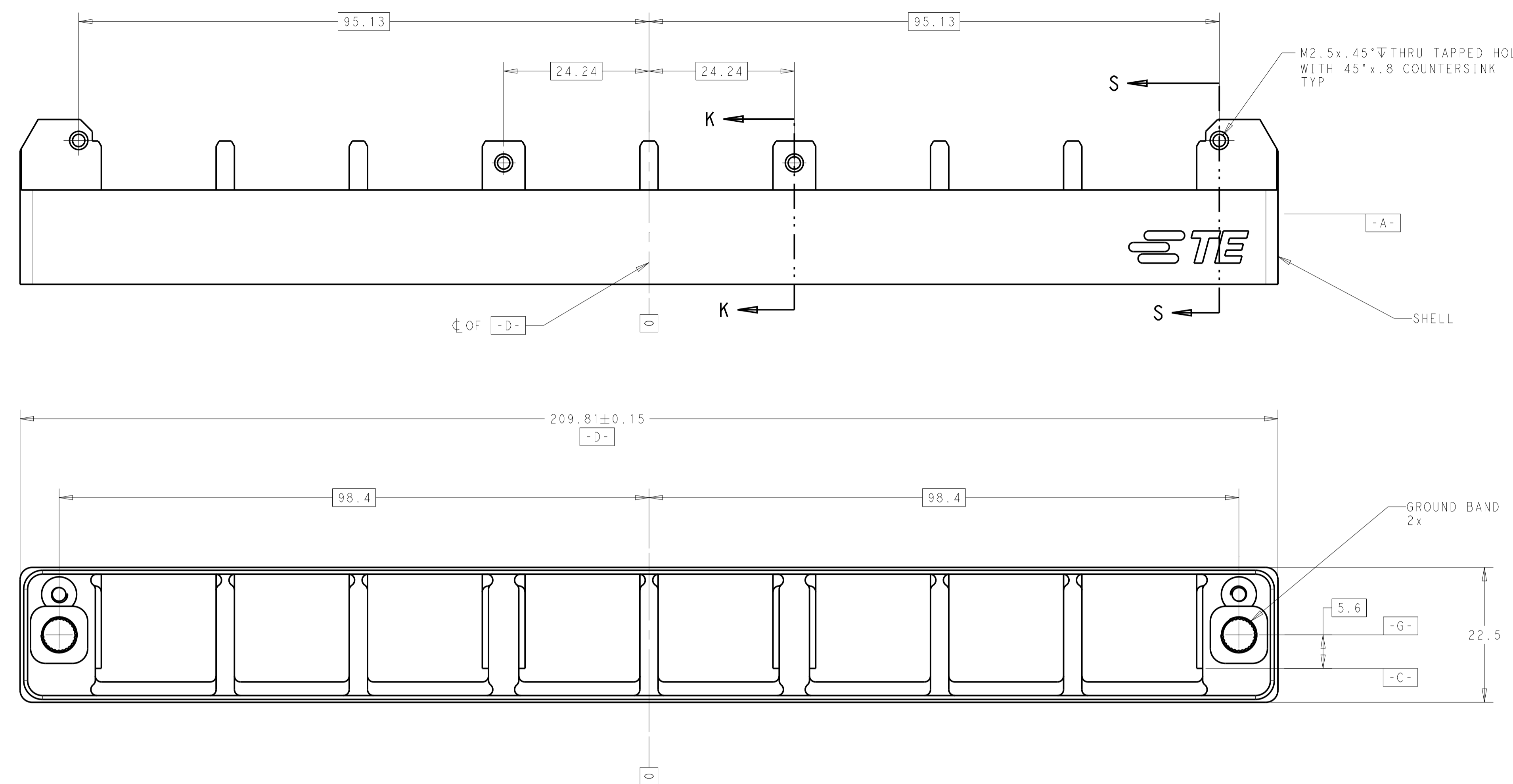
2226783-4 SHOWN



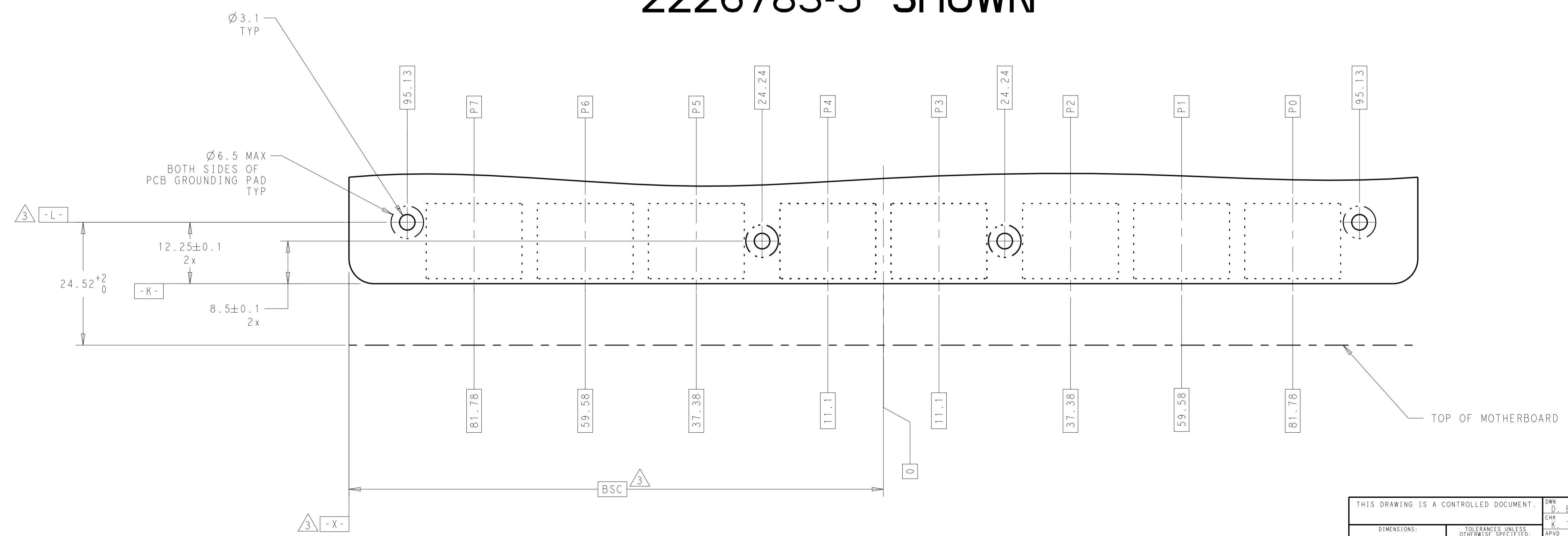
PCB INSERT LOCATIONS

THIS DRAWING IS A CONTROLLED DOCUMENT.		OWN: D. BELACK 25NOV2013	TE Connectivity
DIMENSIONS: mm		CHK: K. THACKSTON 11-25-13	
TOLERANCES UNLESS OTHERWISE SPECIFIED:		APVD: M. McALONIS 11-25-13	NAME: Fortis Zd LRM, DAUGHTER CARD, RIGHT ANGLE, SHELL ASSEMBLY
0 PLC ±0.13	1 PLC ±0.05	2 PLC ±0.05	PRODUCT SPEC: 108-2474
3 PLC ±0.025	4 PLC ±0.025	5 PLC ±0.025	APPLICATION SPEC: 408-10464
ANGLES ±2°	FINISH	WEIGHT	SIZE: A1
MATERIAL	FINISH	WEIGHT	SCALE: 1:1
Customer Drawing		Customer Drawing	SHEET 4 OF 5
Customer Drawing		Customer Drawing	REV A

REVISIONS				
P.	LTN	DESCRIPTION	DATE	APVD
-	-	SEE SHEET 1	-	-



2226783-5 SHOWN



PCB INSERT LOCATIONS

THIS DRAWING IS A CONTROLLED DOCUMENT.		DWN: D. BELACK 25NOV2013	TE Connectivity Fortis Zd LRM, DAUGHTER CARD, RIGHT ANGLE, SHELL ASSEMBLY
DIMENSIONS: mm		CHK: K. THACKSTON 11-25-13	
TOLERANCES UNLESS OTHERWISE SPECIFIED:		APVD: M. McALONIS 11-25-13	NAME: -
0 PLC ±0.13	1 PLC ±0.05	PRODUCT SPEC: 108-2474	SIZE: A1
2 PLC ±0.05	3 PLC ±0.025	APPLICATION SPEC: 408-10464	CAGE CODE: -
4 PLC ±0.025	ANGLES ±2°	WEIGHT: -	SCALE: 2:1
MATERIAL: -	FINISH: -	Customer Drawing	SHEET 5 OF 5

X-ON Electronics

Largest Supplier of Electrical and Electronic Components

Click to view similar products for [High Speed/Modular Connectors](#) category:

Click to view products by [TE Connectivity](#) manufacturer:

Other Similar products are found below :

[650827-1](#) [74040-1346](#) [1410191-1](#) [1410368-3](#) [1410964-2](#) [1410326-3](#) [1410367-3](#) [1410971-4](#) [1467833-1](#) [2000877-1](#) [2000878-1](#) [2041314-1](#)
[2065387-1](#) [2187307-1](#) [163P](#) [1934290-1](#) [2000875-1](#) [2065917-1](#) [2102736-2](#) [FSR-40](#) [2169868-2](#) [22354-8](#) [437-5040-000](#) [5-1393565-0](#) [039-](#)
[0246-000](#) [0761601016](#) [0784461022](#) [10123159-12ELF](#) [030-2415-003/100 PK](#) [030-7380-004](#) [030-2494-001](#) [532939-1](#) [5532901-3](#) [3-1469268-](#)
[7](#) [74748-102LF](#) [10041743-101LF](#) [10066670-100002LF](#) [1-533915-1](#) [249-4515-000](#) [7-1469373-3](#) [DL2-2J/S](#) [2000713-8](#) [2000713-7](#)
[10124313-101LF](#) [3011-21](#) [757105208](#) [EBTF-4-10-2.0-S-RA-1](#) [430305-001](#) [4395800100](#) [8140115](#)