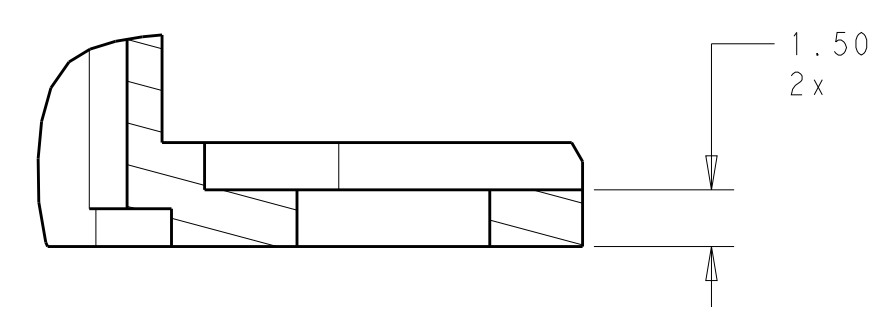
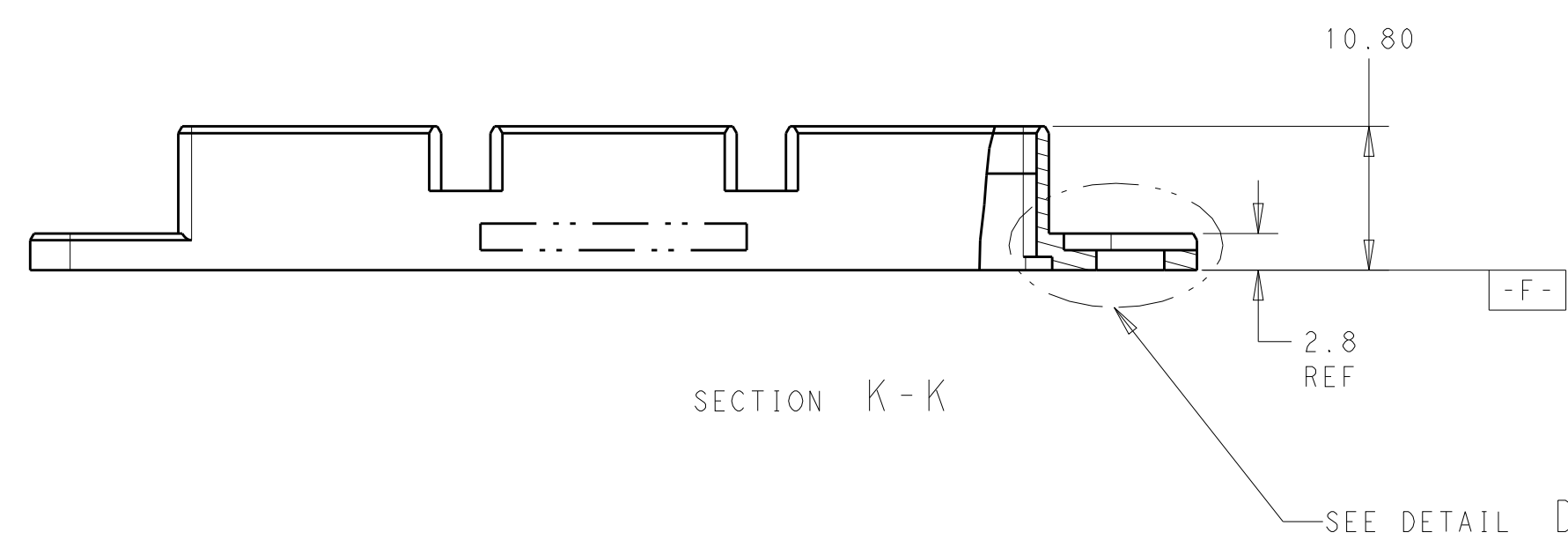
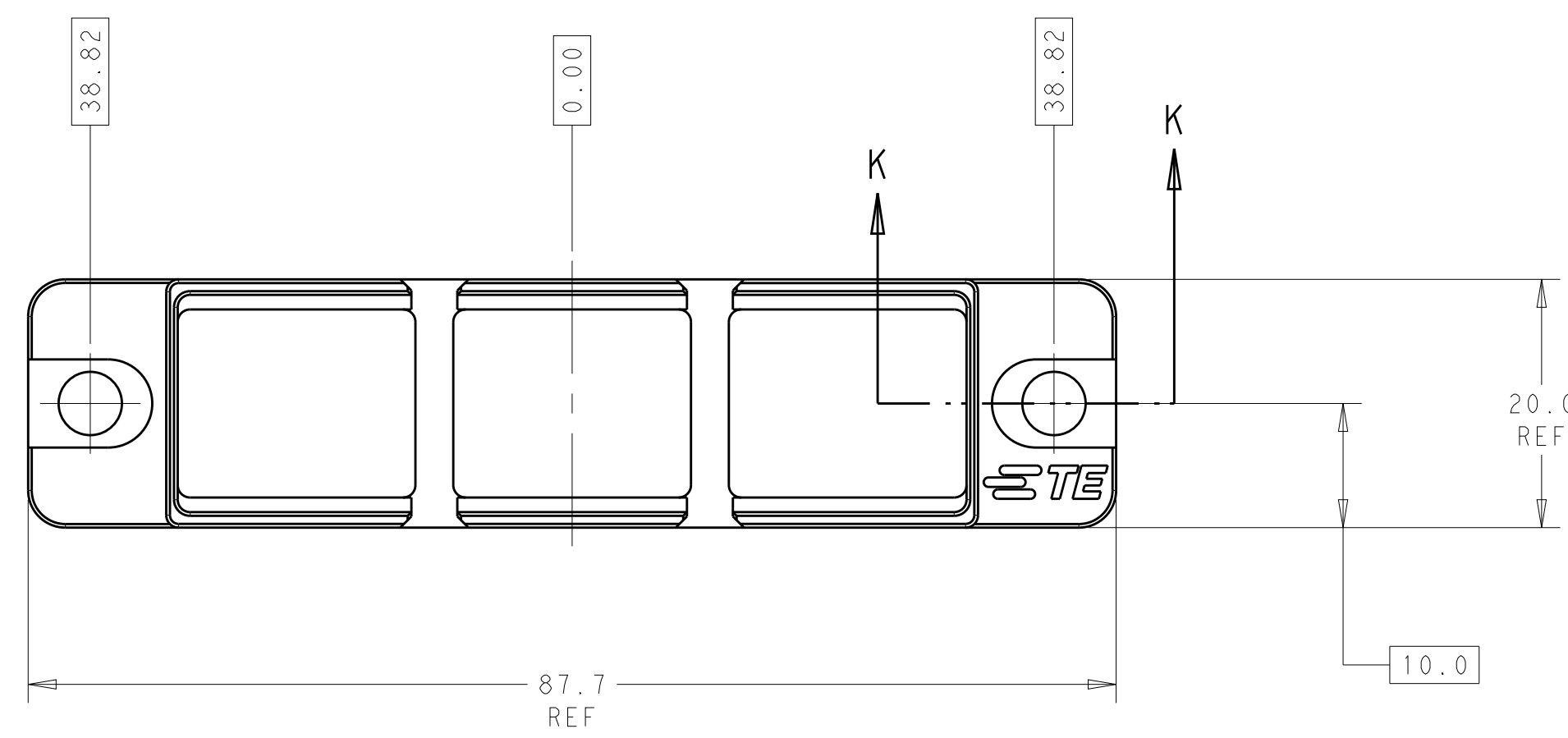
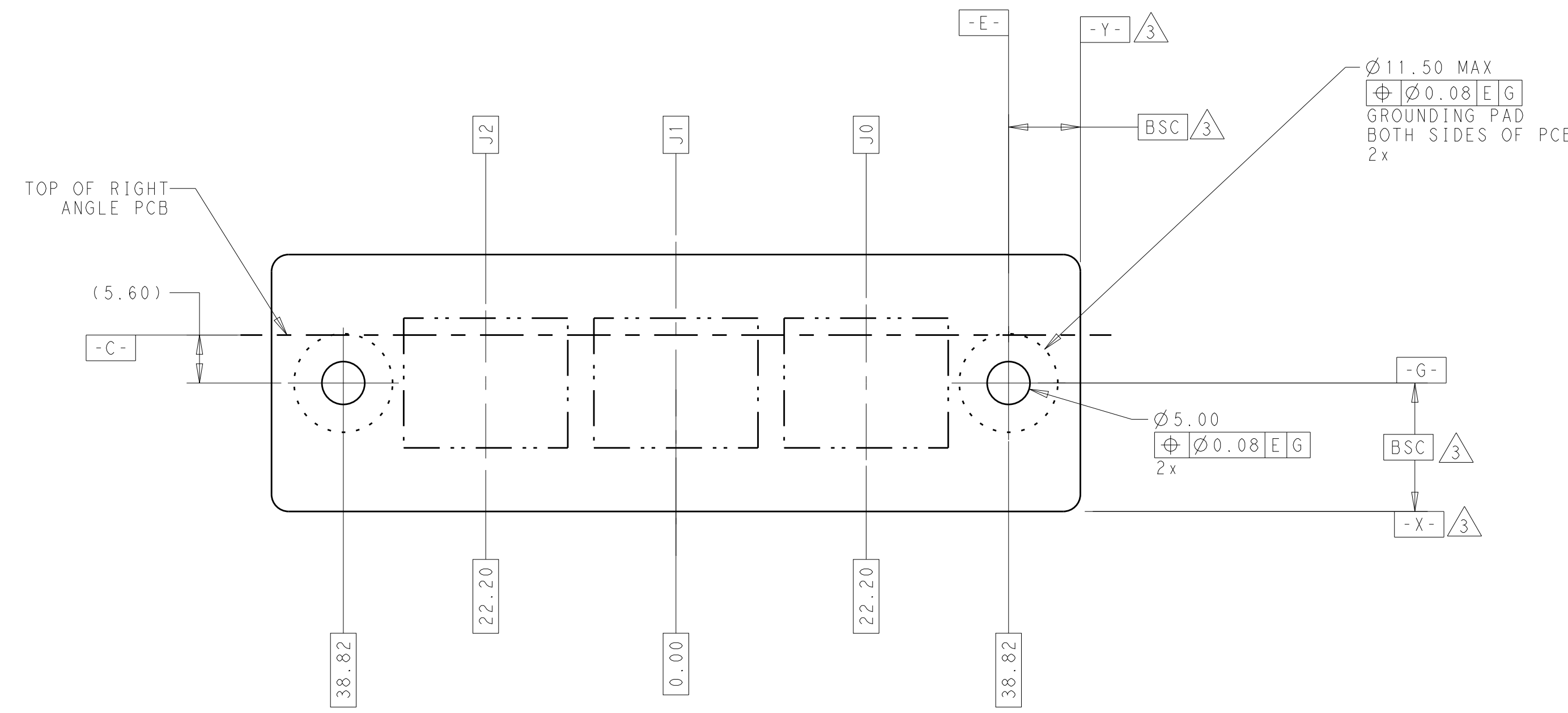


| REVISIONS | | | | |
|-----------|-----|----------------------------|--------|-------|
| P. | LTN | DESCRIPTION | DATE | APP'D |
| A | | RELEASED PER ECO 20-009589 | 7-8-20 | CT RL |
| | | | | |
| | | | | |



2226784-1 SHOWN



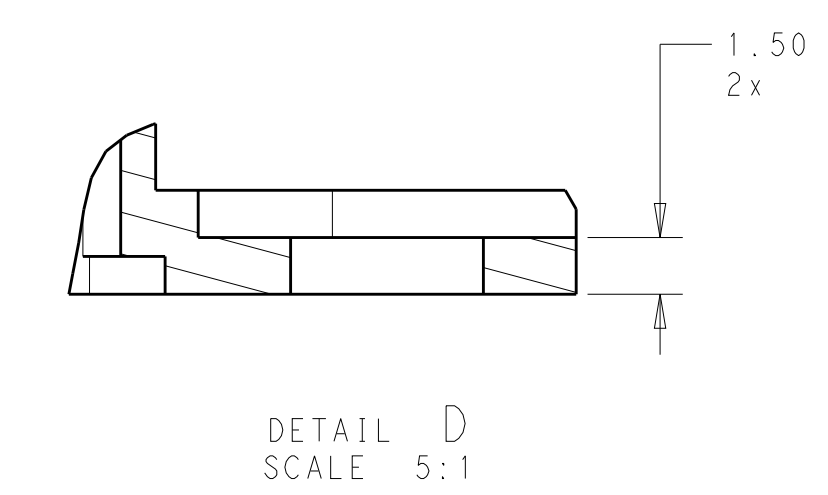
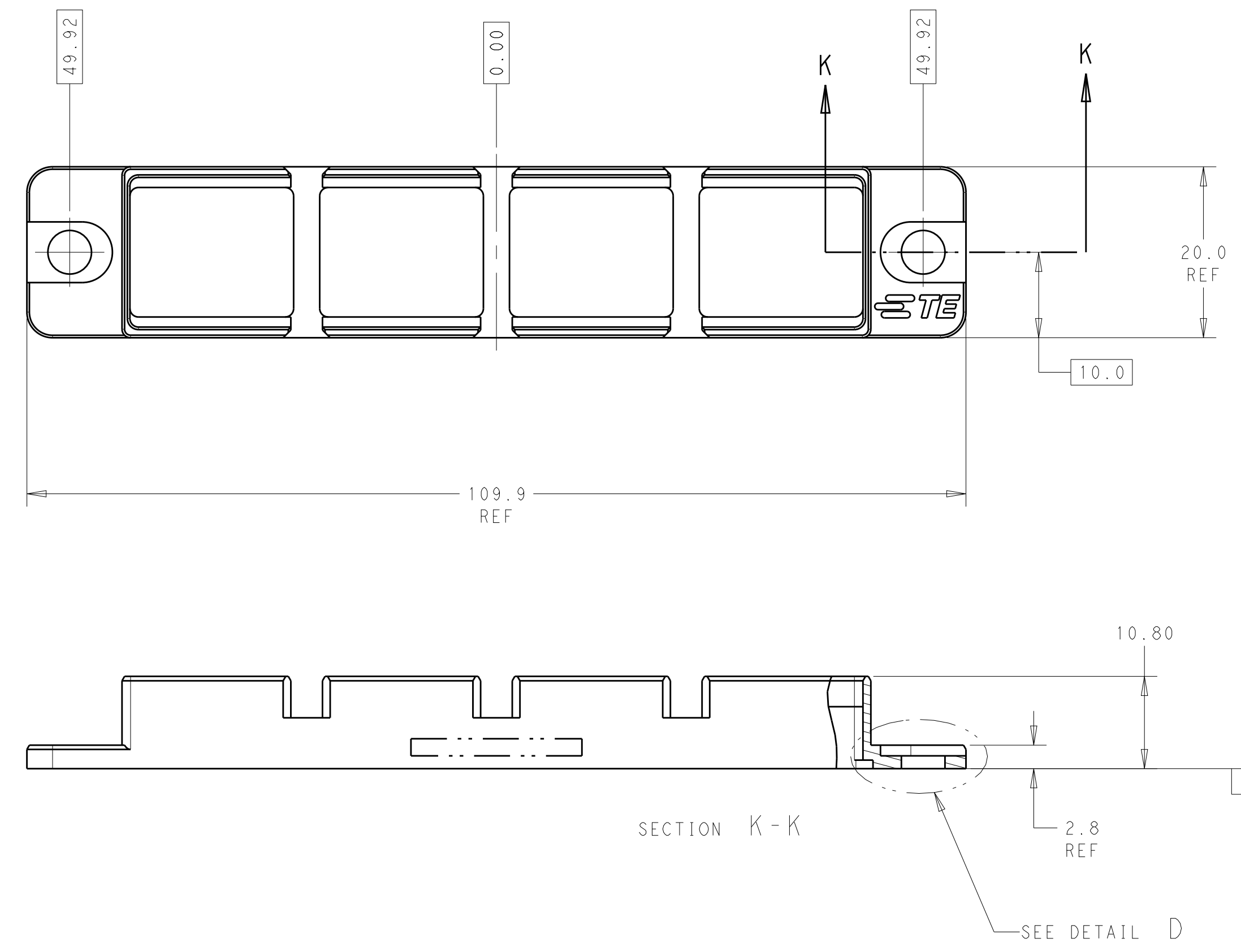
- 1 MATERIAL: ALUMINUM ALLOY
- 2 FINISH: TRIVALENT CHROMATE, 96 HOUR SALT SPRAY CAPABLE.
- 3 DATUMS AND BASIC DIMENSIONS ESTABLISHED BY CUSTOMER.

PCB INSERT LOCATIONS

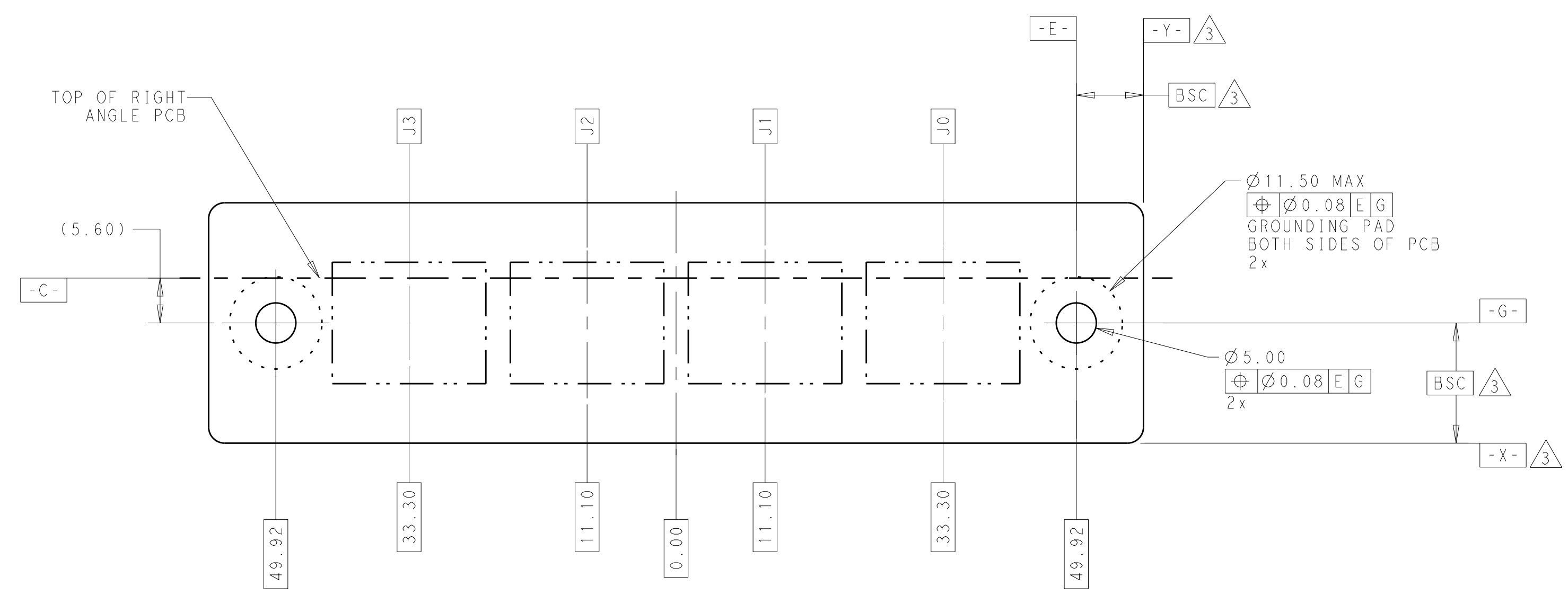
| APPROX. WEIGHT g | SHELL TO PCB MOUNTING POINTS | # OF BAYS | PART NUMBER |
|------------------|------------------------------|-----------|-------------|
| 31.1 | 4 | 8 | 2226784-5 |
| 29.3 | 3 | 8 | 2226784-4 |
| 34.2 | 4 | 9 | 2226784-3 |
| 15.1 | 2 | 4 | 2226784-2 |
| 12.0 | 2 | 3 | 2226784-1 |

| | | | |
|---|----------|--|---------------------------|
| THIS DRAWING IS A CONTROLLED DOCUMENT. | | DWN D. BELACK 18NOV2013 | TE TE Connectivity |
| DIMENSIONS: mm | | CHK K. THACKSTON 18NOV2013 | |
| TOLERANCES UNLESS OTHERWISE SPECIFIED: | | APP'D M. McALONIS 18NOV2013 | |
| 0 PLC ±0.13 1 PLC ±0.08 2 PLC ±0.08 3 PLC ±0.025 4 PLC ±0.025 ANGLES ±2° | | NAME Fortis Zd LRM, BACKPLANE, VERTICAL, SHELL ASSEMBLY PRODUCT SPEC 108-2474 APPLICATION SPEC 408-10464 WEIGHT CUSTOMER DRAWING | |
| MATERIAL 1 | FINISH 2 | SIZE A | RESTRICTED TO |
| SCALE 2:1 | | SHEET 1 OF 5 | REV A |

| REVISIONS | | | | |
|-----------|-----|-------------|------|------|
| P. | LTN | DESCRIPTION | DATE | APVD |
| - | - | SEE SHEET 1 | - | - |
| | | | | |
| | | | | |



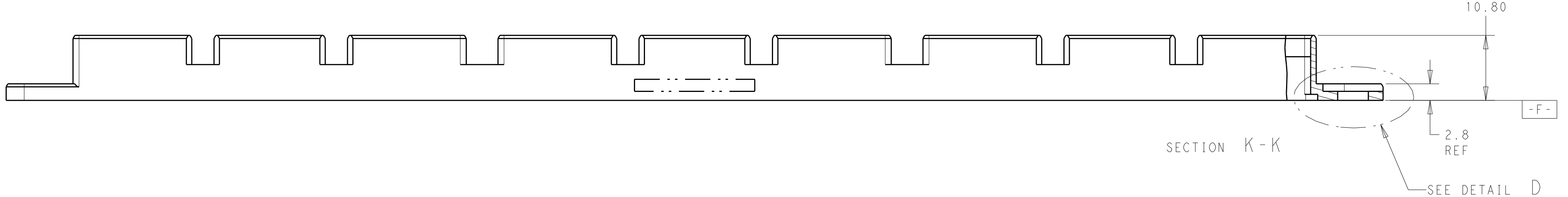
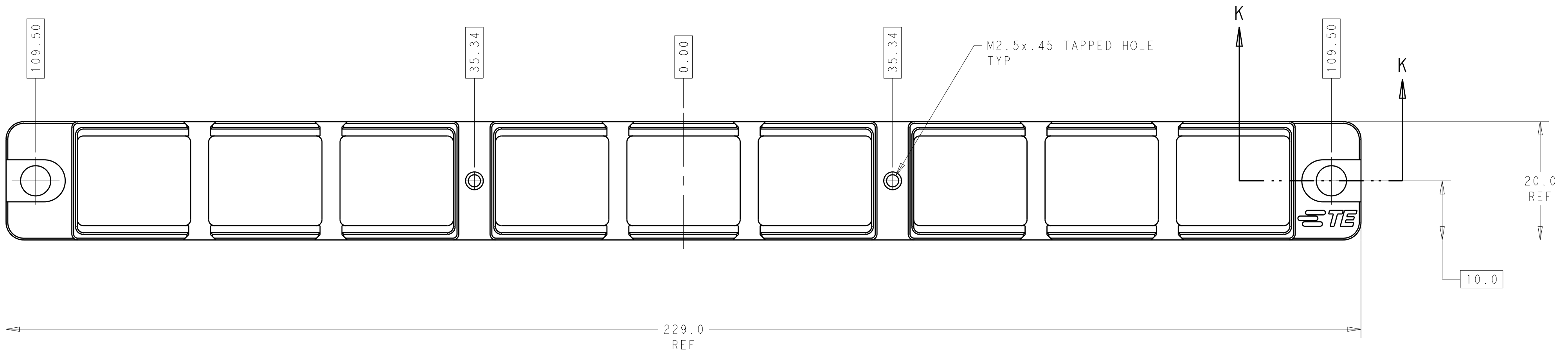
2226784-2 SHOWN



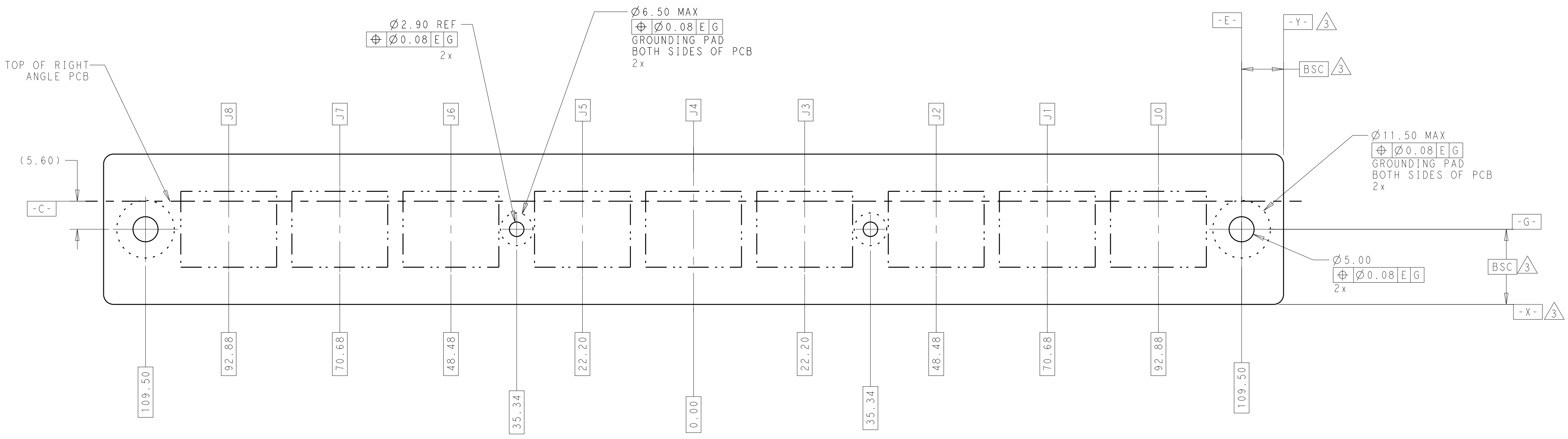
PCB INSERT LOCATIONS

| | | | |
|---|--|-----------------------------|--|
| THIS DRAWING IS A CONTROLLED DOCUMENT. | | DWN: D. BELACK 18NOV2013 | TE Connectivity |
| DIMENSIONS: mm | | CHK: K. THACKSTON | |
| TOLERANCES UNLESS OTHERWISE SPECIFIED: 0 PLC ±0.13 1 PLC ±0.08 2 PLC ±0.08 3 PLC ±0.025 4 PLC ±0.025 ANGLES ±2° | | APVD: M. McALONIS | NAME: Fortis Zd LRM, BACKPLANE, VERTICAL, SHELL ASSEMBLY |
| MATERIAL: 1 | | PRODUCT SPEC: 108-2474 | SIZE: A |
| FINISH: 2 | | APPLICATION SPEC: 408-10464 | CAGE CODE: - |
| CUSTOMER DRAWING | | WEIGHT: - | DRAWING NO: C=2226784 |
| SCALE: 1:1 | | SHEET: 2 OF 5 | REV: A |

| REVISIONS | | | | |
|-----------|------|-------------|------|-------|
| P. | LTN. | DESCRIPTION | DATE | APVD. |
| - | - | SEE SHEET 1 | - | - |
| | | | | |
| | | | | |



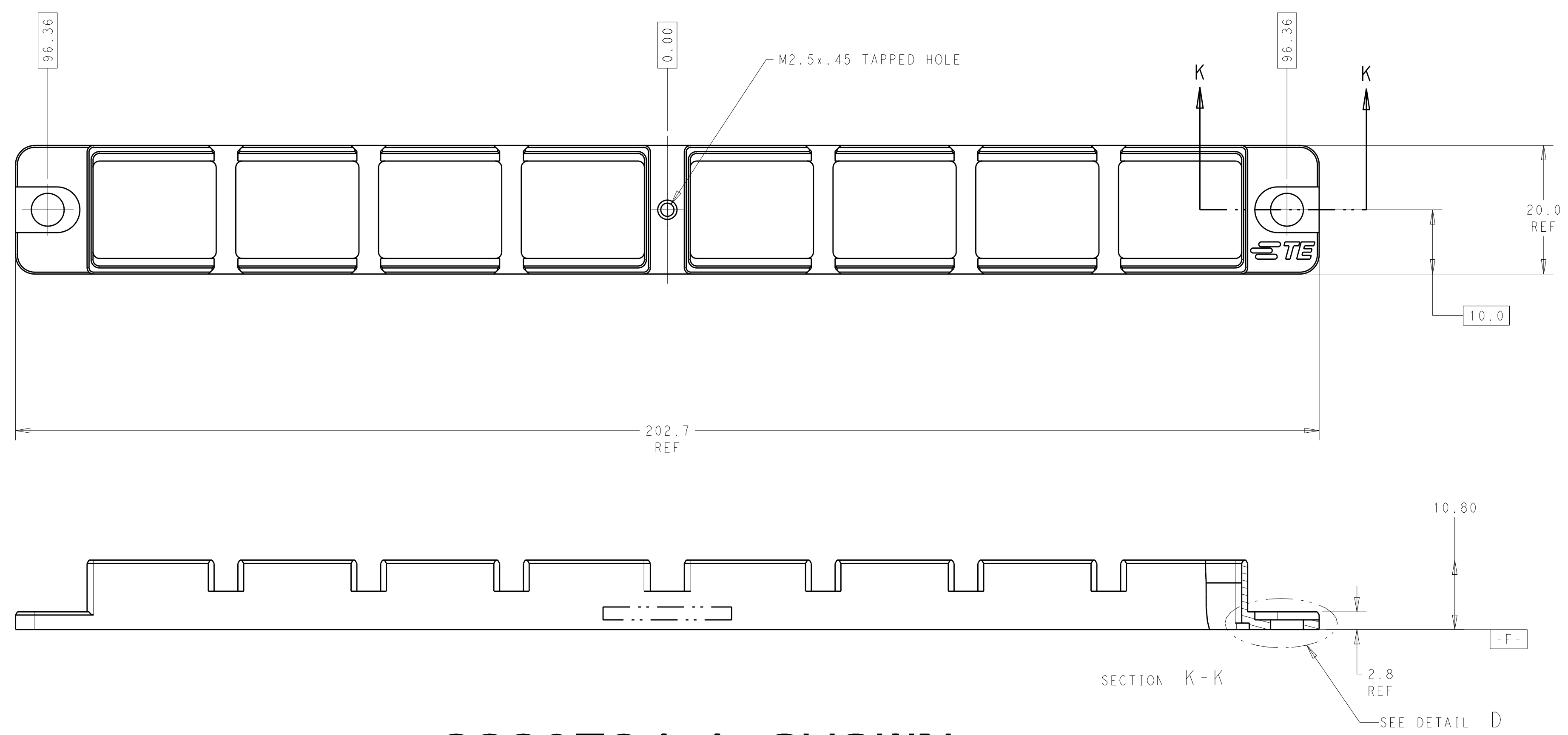
2226784-3 SHOWN



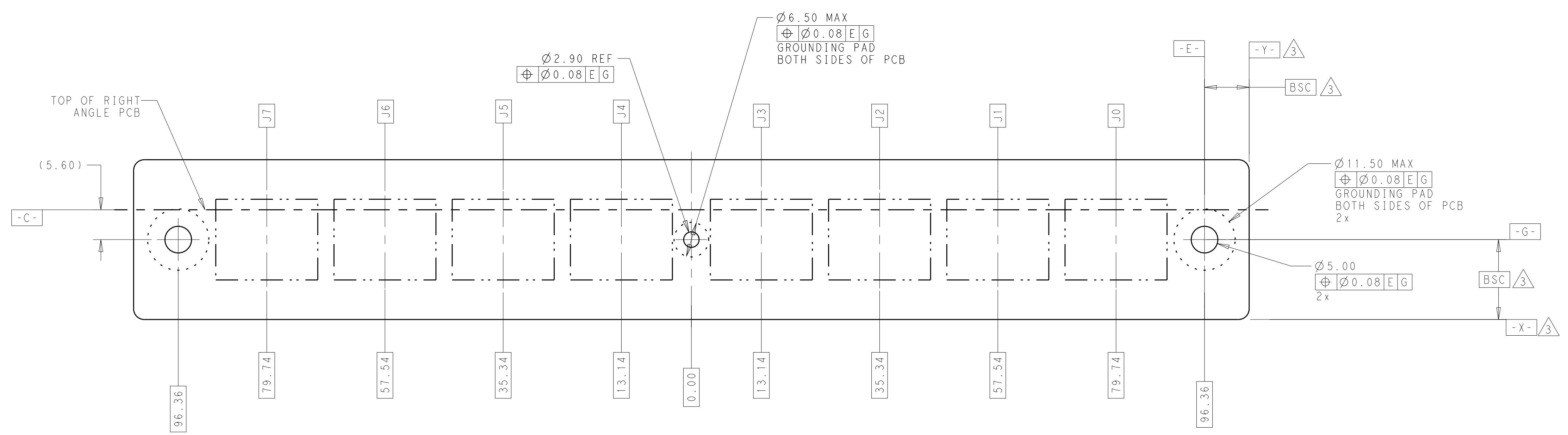
PCB INSERT LOCATIONS

| | | | |
|--|--------------|--------------------------|--|
| THIS DRAWING IS A CONTROLLED DOCUMENT. | | OWN: D. BELACK 18NOV2013 | TE Connectivity |
| DIMENSIONS: mm | | CHK: K. THACKSTON | |
| TOLERANCES UNLESS OTHERWISE SPECIFIED: | | APVD: M. McALONIS | NAME: Fortis Zd LRM, BACKPLANE, VERTICAL, SHELL ASSEMBLY |
| 0 PLC ±0.13 | 1 PLC ±0.08 | 2 PLC ±0.08 | PRODUCT SPEC: 108-2474 |
| 3 PLC ±0.025 | 4 PLC ±0.025 | ANGLES ±2° | APPLICATION SPEC: 408-10464 |
| MATERIAL: 1 | FINISH: 2 | WEIGHT: - | SIZE: A1 |
| CUSTOMER DRAWING | | SCALE: 1:1 | SHEET 3 OF 5 |

| REVISIONS | | | | |
|-----------|------|-------------|------|--------|
| P. | LTN. | DESCRIPTION | DATE | APP'D. |
| - | - | SEE SHEET 1 | - | - |
| | | | | |
| | | | | |



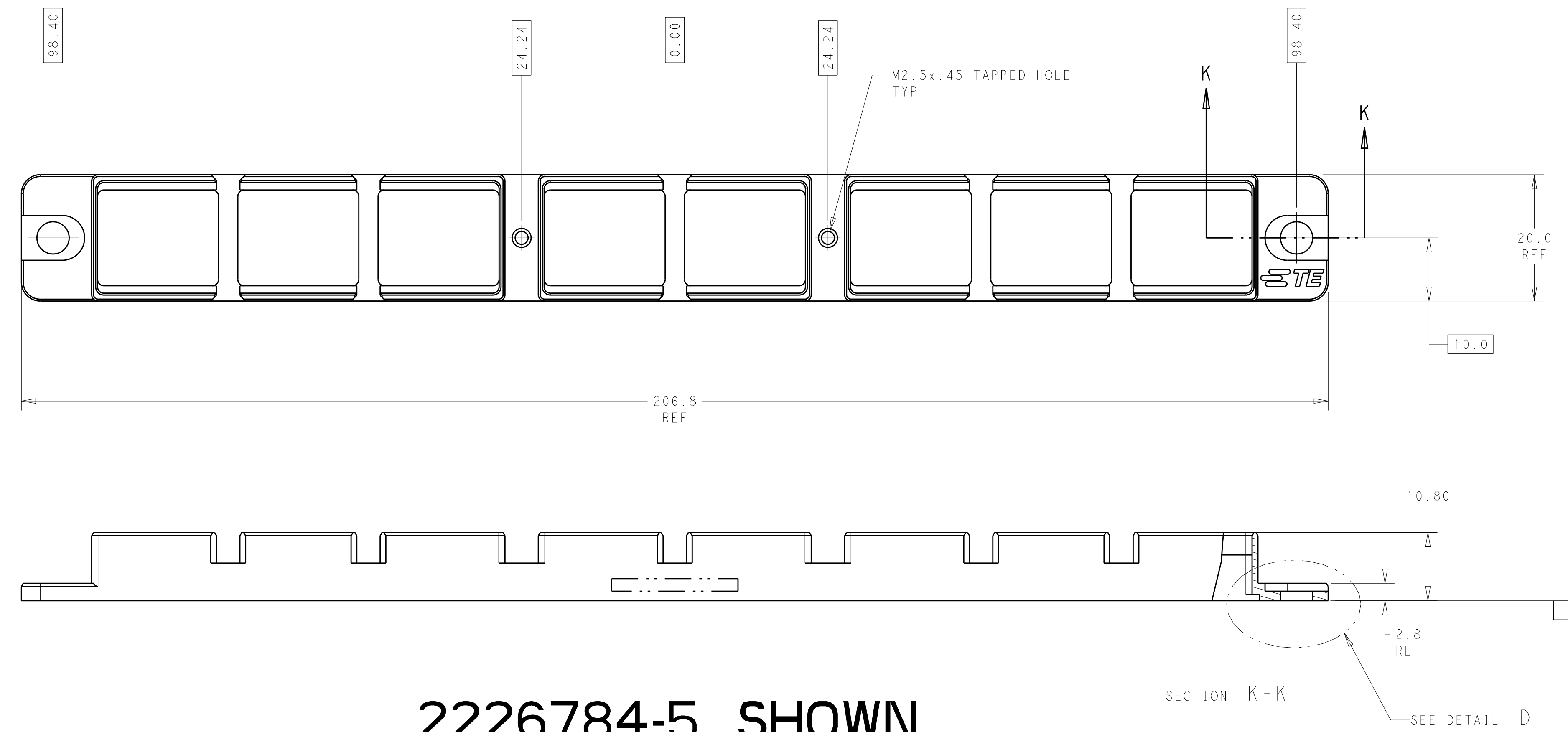
2226784-4 SHOWN



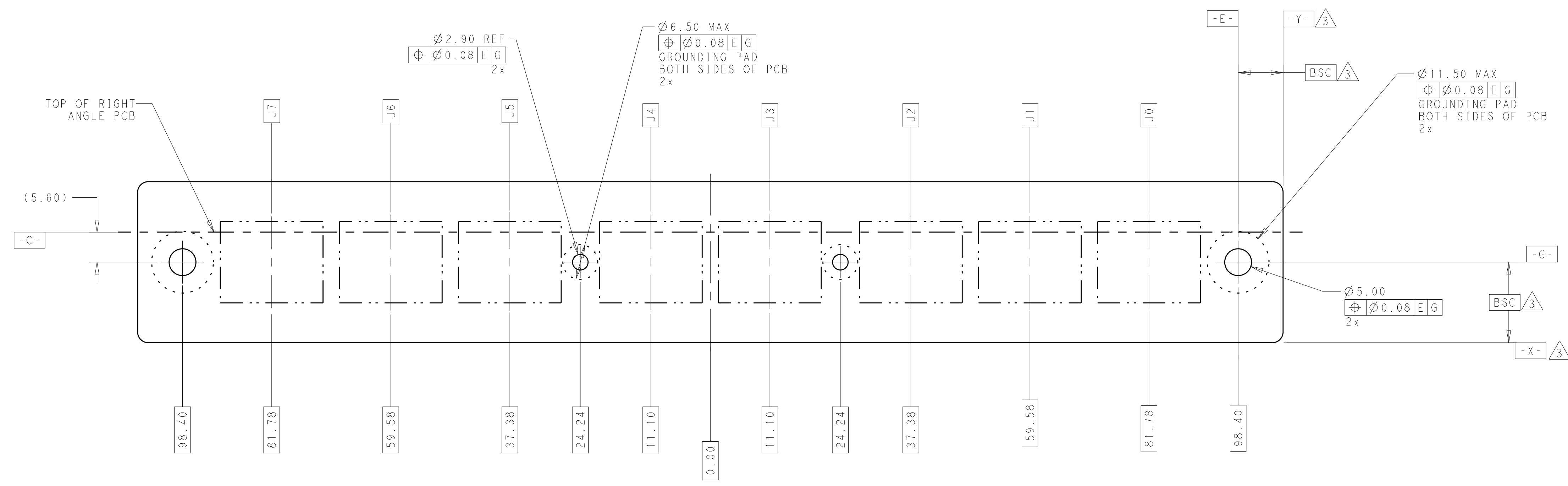
PCB INSERT LOCATIONS

| | | | |
|--|--------|-----------------------------|---|
| THIS DRAWING IS A CONTROLLED DOCUMENT. | | DWN: D. BELACK 18NOV2013 | TE Connectivity NAME: Fortis Zd LRM, BACKPLANE, VERTICAL, SHELL ASSEMBLY |
| DIMENSIONS: mm | | CHK: K. THACKSTON | |
| TOLERANCES UNLESS OTHERWISE SPECIFIED: | | APVD: M. McALONIS | PRODUCT SPEC: 108-2474 |
| 0 PLC | ± | APPLICATION SPEC: 408-10464 | SIZE: A1 |
| 1 PLC | ±0.13 | WEIGHT: - | SCALE: 1:1 |
| 2 PLC | ±0.08 | CUSTOMER DRAWING | SHEET 4 OF 5 |
| 3 PLC | ±0.025 | | REV A |
| 4 PLC | ± | | |
| ANGLES | ±2° | | |

| REVISIONS | | | | |
|-----------|-----|-------------|------|-------|
| P. | LTN | DESCRIPTION | DATE | APP'D |
| - | - | SEE SHEET 1 | - | - |
| | | | | |
| | | | | |



2226784-5 SHOWN



PCB INSERT LOCATIONS

| | | | |
|--|--------------|-----------------------------|--|
| THIS DRAWING IS A CONTROLLED DOCUMENT. | | DWN: D. BELACK 18NOV2013 | TE Connectivity |
| DIMENSIONS: mm | | CHK: K. THACKSTON | |
| TOLERANCES UNLESS OTHERWISE SPECIFIED: | | APVD: M. McALONIS | NAME: Fortis Zd LRM, BACKPLANE, VERTICAL, SHELL ASSEMBLY |
| 0 PLC ±0.13 | 1 PLC ±0.08 | PRODUCT SPEC: 108-2474 | SIZE: A |
| 2 PLC ±0.08 | 3 PLC ±0.025 | APPLICATION SPEC: 408-10464 | CAGE CODE: - |
| 4 PLC ±0.025 | ANGLES ±2° | WEIGHT: - | DRAWING NO: C=2226784 |
| MATERIAL: | FINISH: | CUSTOMER DRAWING | RESTRICTED TO: A |
| SCALE: 2:1 | | | SHEET: 5 OF 5 |
| REV: A | | | |

X-ON Electronics

Largest Supplier of Electrical and Electronic Components

Click to view similar products for [High Speed/Modular Connectors](#) category:

Click to view products by [TE Connectivity](#) manufacturer:

Other Similar products are found below :

[650827-1](#) [74040-1346](#) [1410191-1](#) [1410368-3](#) [1410964-2](#) [1410326-3](#) [1410367-3](#) [1410971-4](#) [1467833-1](#) [2000877-1](#) [2000878-1](#) [2041314-1](#)
[2065387-1](#) [2187307-1](#) [163P](#) [1934290-1](#) [2000875-1](#) [2065917-1](#) [2102736-2](#) [FSR-40](#) [2169868-2](#) [22354-8](#) [437-5040-000](#) [5-1393565-0](#) [039-](#)
[0246-000](#) [0740618502](#) [0761601016](#) [0784461022](#) [10123159-12ELF](#) [030-2415-003/100 PK](#) [030-7380-004](#) [030-2494-001](#) [532939-1](#) [5532901-](#)
[3](#) [3-1469268-7](#) [74748-102LF](#) [10041743-101LF](#) [10066670-100002LF](#) [1-533915-1](#) [249-4515-000](#) [7-1469373-3](#) [DL2-2J/S](#) [2000713-8](#)
[2000713-7](#) [10124313-101LF](#) [3011-21](#) [757105208](#) [430305-001](#) [4395800100](#) [8140115](#)