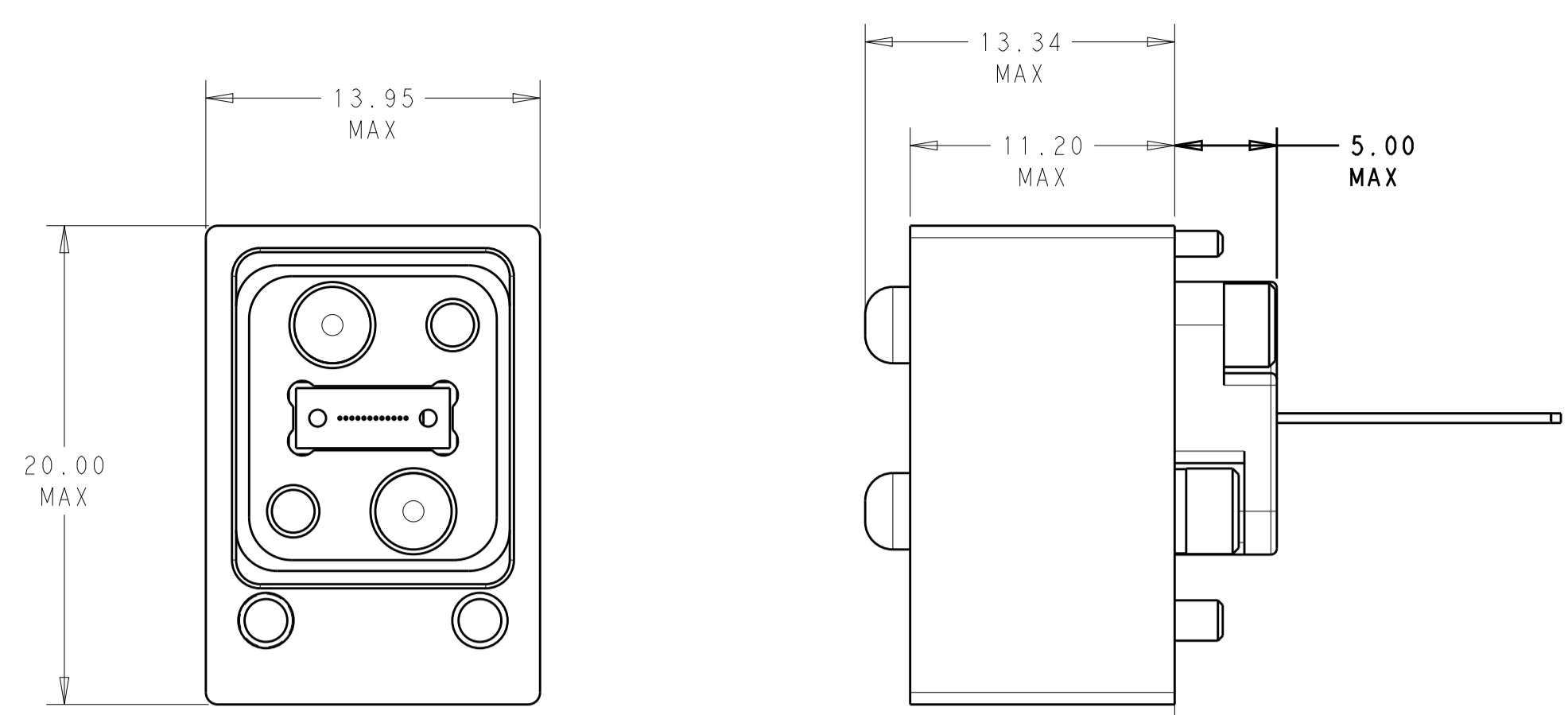
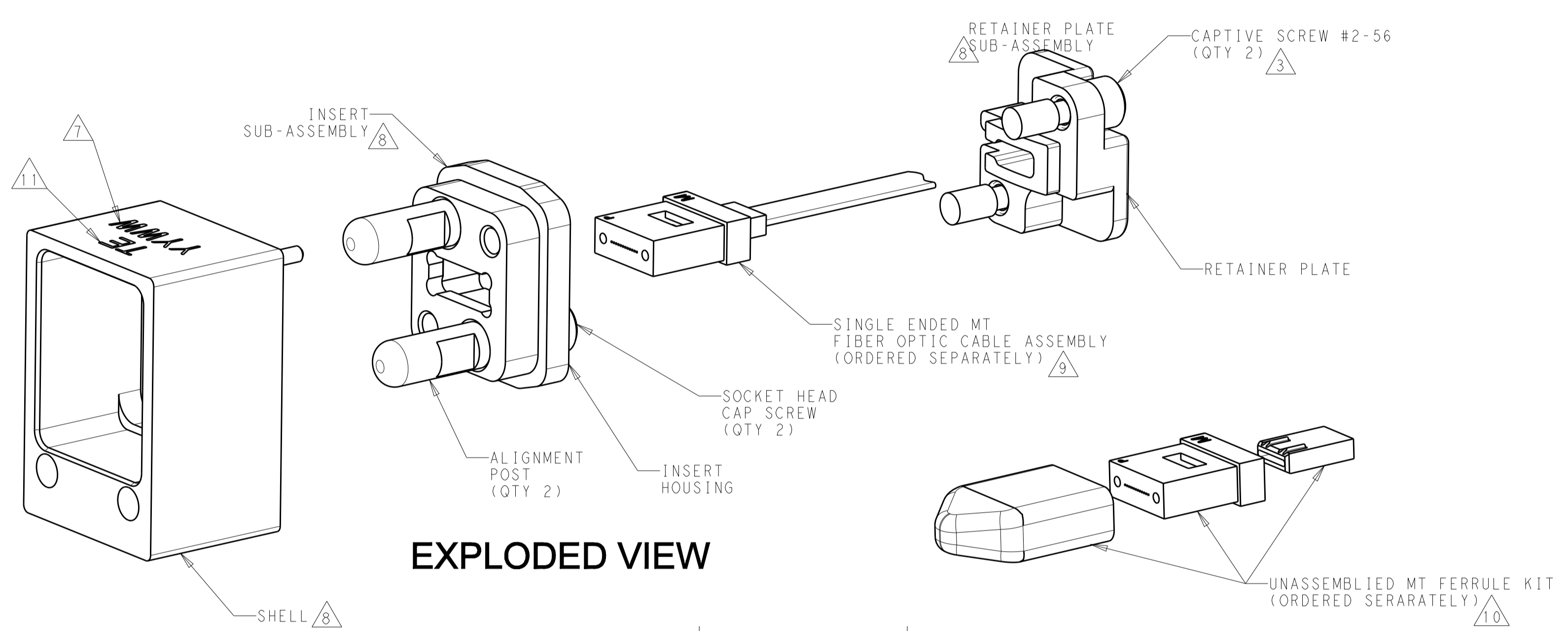
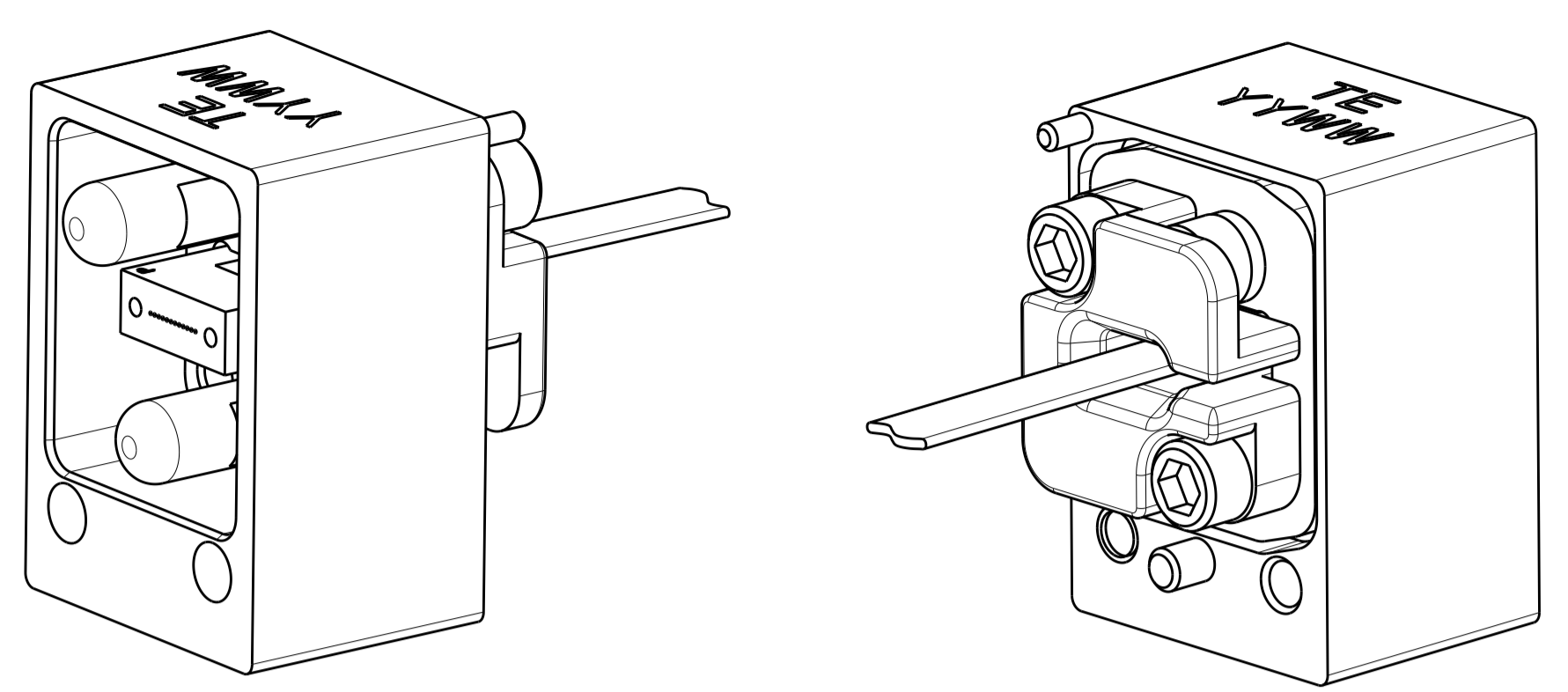


REVISIONS				
P.	LTN.	DESCRIPTION	DATE	APVD.
5		REMOVED PRELIMINARY	27MAY2015	DF JM
A		ECO-15-012943	23SEP2015	KG DW

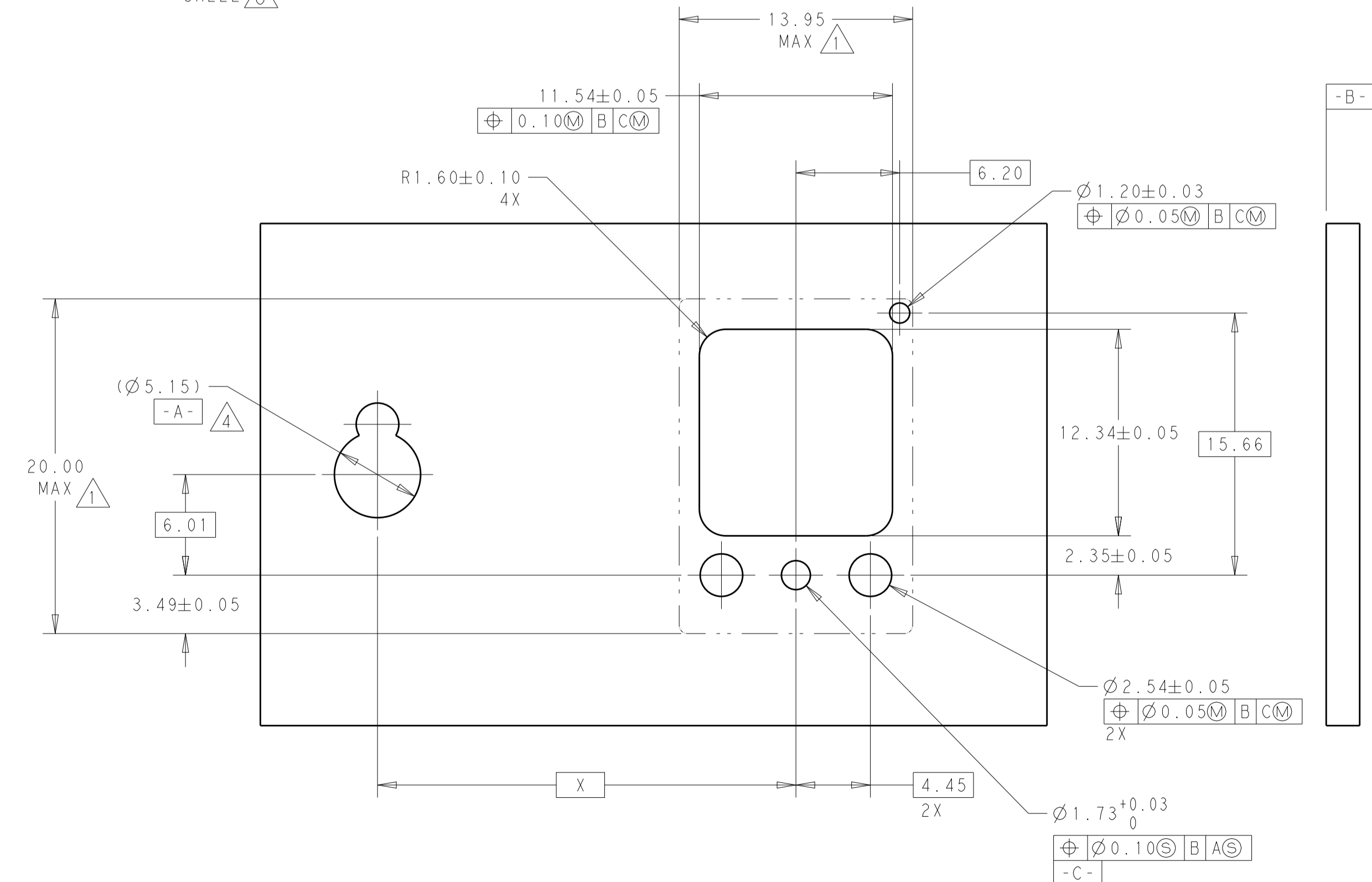


ASSEMBLED VIEW

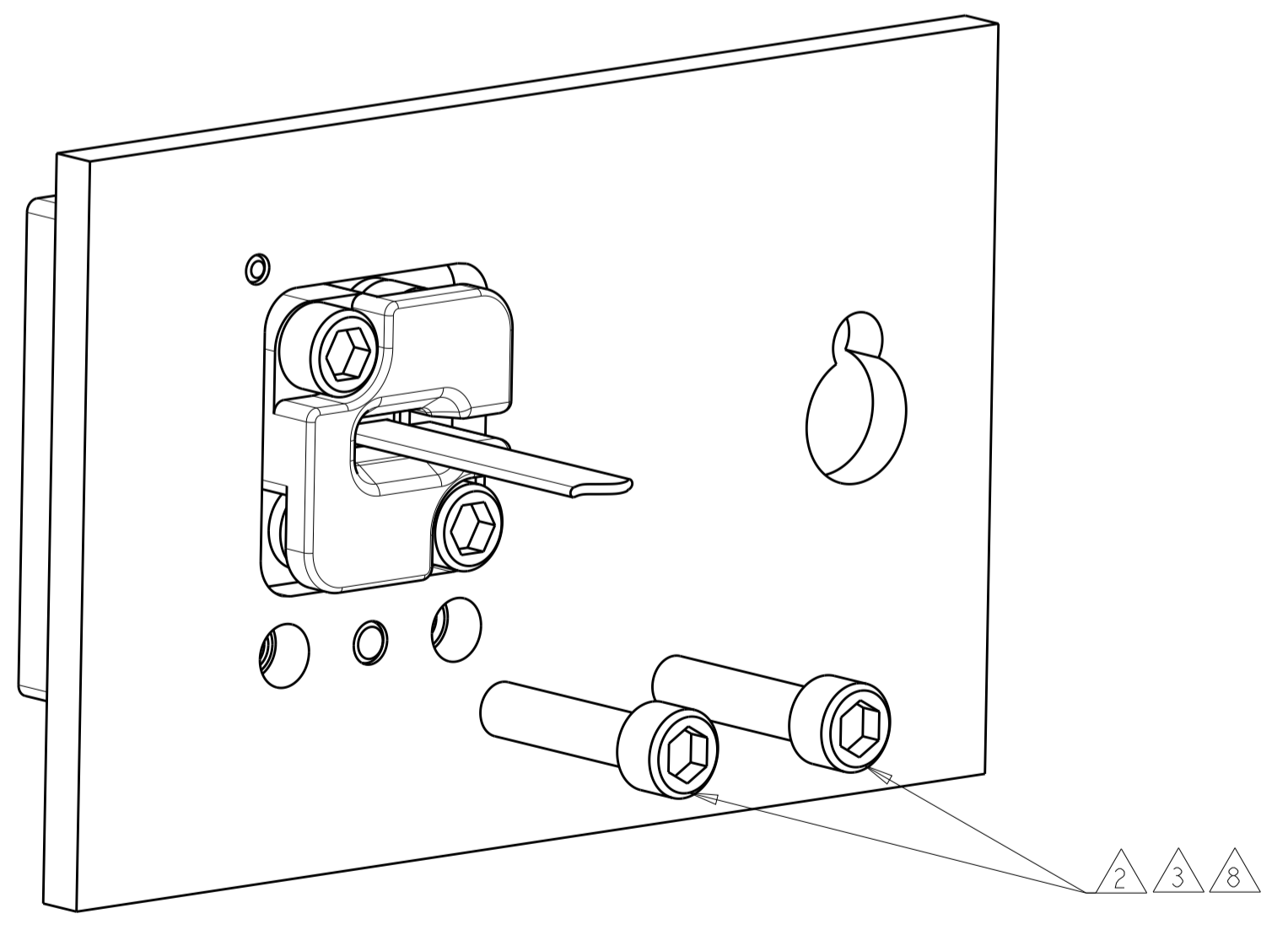


EXPLODED VIEW

- 1 AREA REQUIRED FOR CONNECTOR PLACEMENT.
- 2 2-56 X 3/8 IN. SCREWS WITH A PRE-APPLIED NYLOK PATCH ARE INCLUDED FOR PC-BOARD MOUNTING. IF A PC-BOARD THICKER THAN 5.8mm IS USED LONGER SCREWS ARE REQUIRED.
- 3 RECOMMENDED TORQUE: 0.23-0.34 N-m [2-3 in-lb].
- 4 DATUM -A- REFERENCE PER ANSI/VITA 46.0-2007, APPENDIX B.
- 5 SHELL, INSERT HOUSING AND RETAINER PLATE: ALUMINUM ALLOY 6061 PER ASTM B209, OR ASTM B221. ALIGNMENT POST, CAPTIVE SCREWS AND SHCS: STAINLESS STEEL, 300 SERIES.
- 6 SHELL, INSERT HOUSING AND RETAINER PLATE: CLEAR CHROMATE CONVERSION COATING. ALIGNMENT POST, CAPTIVE SCREWS AND SHCS: PASSIVATED.
- 7 DATE CODE: YEAR AND WEEK (YYWW).
- 8 RECEPTACLE (BACKPLANE) CONNECTOR KIT, (UNASSEMBLED) CONSISTS OF THE FOLLOWING ITEMS: SHELL (QTY 1) INSERT SUB-ASSEMBLY (QTY 1), RETAINER PLATE SUB-ASSEMBLY (QTY 1) AND 2-56 X 3/8 IN SCREWS (QTY 2).
- 9 SINGLE-ENDED (PIG-TAIL) FIBER-OPTIC CABLE ASSEMBLY, CONTAINS: MT FERRULE, MINI-BOOT, FERRULE COVER AND RIBBON CABLE, (ORDERED SEPARATELY, TE 1938401-1)
- 10 MT FERRULE KIT, (UNASSEMBLED) CONTAINS: MT FERRULE, MINI-BOOT AND FERRULE COVER (ORDERED SEPARATELY, TE 2102866-1)
- 11 TE CONNECTIVITY PRODUCT IDENTIFIER.



RECOMMENDED BACKPLANE FOOTPRINT



BACKPLANE MOUNTING DETAIL

CONNECTOR LOCATION ON BACKPLANE PCB	
POSITION	DIM "X"
J2A	58.73
J2B	72.85
J3A	101.60
J3B	115.72
J4A	130.40
J4B	144.52
J5A	159.20
J5B	173.32
J6A	188.00
J6B	202.12

2226880-1
PART NUMBER

THIS DRAWING IS A CONTROLLED DOCUMENT.		OWN: D. FABIAN	16JAN2014	TE Connectivity	
DIMENSIONS: mm		TOLERANCES UNLESS OTHERWISE SPECIFIED:	0 PLC ±	1 PLC ±0.13	2 PLC ±
MATERIAL: 5		FINISH: 6	PRODUCT SPEC: 108-2467-1	NAME: CONNECTOR KIT RECEPTACLE (BACKPLANE) FIBER OPTIC, MT, VITA 66.4	
SCALE: 4:1		SHEET: 1 OF 1	REV: A	RESTRICTED TO	

X-ON Electronics

Largest Supplier of Electrical and Electronic Components

Click to view similar products for [Fibre Optic Connectors](#) category:

Click to view products by [TE Connectivity](#) manufacturer:

Other Similar products are found below :

[0004700001](#) [6100-R](#) [6313](#) [F709034706](#) [F709722200](#) [F709730000](#) [F718183204](#) [F727403500](#) [F727752800](#) [8119](#) [9440F20-27S-190](#) [944-120-6001](#) [9441F10SL-3S](#) [9444W28-21S](#) [9444W36-10S](#) [9446F10SL-4S](#) [9446W20-16S](#) [953-101-5310-P](#) [954-101-57202B](#) [A0270169](#) [12-9122](#) [12-5702](#) [AX101713](#) [AX102420](#) [AX103923](#) [AX104024](#) [AX104193](#) [AX104230](#) [AX104562](#) [AX105203-B25](#) [AX105205-S1](#) [EHSC2M](#) [181-011-126](#) [181-011-S](#) [181-057-126](#) [HRFC-R2\(40\)](#) [NKSOPBUY](#) [20500002116](#) [2064996-1](#) [20800001065](#) [2170](#) [9132](#) [2612](#) [2620](#) [9291](#) [9440F16-10S](#) [9440F20-18S](#) [9442W14S-10P](#) [9446F16-10S-190](#) [953-106-50231](#)