

2226910-1 ✓ ACTIVE

O.C.H. Micro Circular Connectors

TE Internal #: 2226910-1

O.C.H. Micro Circular Connectors, Standard Circular Connectors,

Wire-to-Wire, 6 Position, Sealable, Wire & Cable, 5A Contact

Current Rating (Max)

[View on TE.com >](#)



Connectors > Circular Connectors > Standard Circular Connectors



Connector System: **Wire-to-Wire**

Number of Positions: **6**

Sealable: **Yes**

Connector & Contact Terminates To: **Wire & Cable**

Contact Current Rating (Max): **5 A**

### Features

#### Product Type Features

Accessory Color	Black
Prewired	No
Product Type	Connector Kit
Assembly Type	Electrical Connector
Connector System	Wire-to-Wire
Sealable	Yes
Connector & Contact Terminates To	Wire & Cable
Circular Connector Type	Plug
Shell Type	Plug

#### Configuration Features

Keying & Polarized Position Locations	Normal
Factory Installed Backshell	No
Keying	Triple Key
Number of Positions	6
Number of Power Positions	0
Number of Signal Positions	6
Contacts Preloaded	No



### Body Features

Shield Rating	100 - 10000 MHz
Environmental Protection Type	Elastomer Sealed
Entry Style	Rear Insertion
Peripheral Seal Material	Fluorosilicone Elastomer
Positive Stop Ferrule	With
Environmental Protection	With
Weight	2.62 g[.006 lb]
O-Ring Material	Fluorosilicone
Fluid Type	None
Feedthrough Type	No
Shell Plating Material	Black Zinc Nickel
Shell Base Material	Aluminum 6061-T6
Circular Connector Insulation Material Type	LCP (Liquid Crystal Polymer)
Hermetically Sealed	No

### Contact Features

Contact Current Rating (Max)	5 A
Reverse Gender	No
Circular Connector Contact Type	Pin

### Mechanical Attachment

Mating Alignment	With
Mating Retention Type	Push-Pull Self-Locking
PCB Mount Retention	Without
Panel Mount Feature Type	Flanged
Polarization Code	Normal
Mating Alignment Type	Keyed
Mating Retention	With

### Housing Features

Circular Connector Shell Size	6
Alignment Keyed	Insert Clocking

### Dimensions

Accepts Wire Insulation Diameter Range	1.32 mm[.03 – .054 in]
--	------------------------



Assembly Length	25.2 mm[.99 in]
-----------------	-----------------

Wire Size	22 – 24 AWG
-----------	-------------

### Usage Conditions

IP Dust Sealing Level	5
-----------------------	---

Fluid Resistance	Yes
------------------	-----

Operating Temperature Range	-10 – 70 °C
-----------------------------	-------------

### Operation/Application

Durability Rating	2000 Cycles
-------------------	-------------

Circuit Application	Signal
---------------------	--------

Shielded	Yes
----------	-----

### Industry Standards

UL Flammability Rating	UL 94V-0
------------------------	----------

### Packaging Features

Packaging Quantity	1
--------------------	---

### Other

Position Locations Omitted	6
----------------------------	---

Field Serviceable	No
-------------------	----

## Product Compliance

[For compliance documentation, visit the product page on TE.com>](#)

EU RoHS Directive 2011/65/EU	Compliant with Exemptions
------------------------------	---------------------------

EU ELV Directive 2000/53/EC	Compliant with Exemptions
-----------------------------	---------------------------

China RoHS 2 Directive MIIT Order No 32, 2016	Restricted Materials Above Threshold
---	--------------------------------------

EU REACH Regulation (EC) No. 1907/2006	Current ECHA Candidate List: JAN 2021 (211) Candidate List Declared Against: JAN 2021 (211) SVHC > Threshold: Pb (3% in Component Part )
--	---

**Article Safe Usage Statements:**  
Do not eat, drink or smoke when using this product. Wash thoroughly after handling. Recycle if possible and dispose of the article by following all applicable governmental regulations relevant to your geographic location.

Halogen Content	Low Bromine/Chlorine - Br and Cl < 900 ppm per homogenous material. Also BFR /CFR/PVC Free
-----------------	--

Solder Process Capability	Not applicable for solder process capability
---------------------------	--

Product Compliance Disclaimer

This information is provided based on reasonable inquiry of our suppliers and represents our current actual knowledge based on the information they provided. This information is subject to change. The part numbers that TE has identified as EU RoHS compliant have a maximum concentration of 0.1% by weight in homogenous materials for lead, hexavalent chromium, mercury, PBB, PBDE, DBP, BBP, DEHP, DIBP, and 0.01% for cadmium, or qualify for an exemption to these limits as defined in the Annexes of Directive 2011/65/EU (RoHS2). Finished electrical and electronic equipment products will be CE marked as required by Directive 2011/65/EU. Components may not be CE marked. Additionally, the part numbers that TE has identified as EU ELV compliant have a maximum concentration of 0.1% by weight in homogenous materials for lead, hexavalent chromium, and mercury, and 0.01% for cadmium, or qualify for an exemption to these limits as defined in the Annexes of Directive 2000/53/EC (ELV). Regarding the REACH Regulation, the information TE provides on SVHC in articles for this part number is based on the latest European Chemicals Agency (ECHA) 'Guidance on requirements for substances in articles' posted at this URL: <https://echa.europa.eu/guidance-documents/guidance-on-reach>

### Compatible Parts



TE Part # 2226920-1  
NETT WARRIOR RECEPTACLE ASSEMBLY



TE Part # 2226913-2  
CONTACT, PIN, CRIMPED, SIZE 23, GND



TE Part # 2226920-2  
NETT WARRIOR RECEPTACLE



TE Part # 2828420-1  
RECEPTACLE CONNECTOR ASSEMBLY PCB TAIL



TE Part # 2828420-2  
RECEPTACLE BATTERY PCB VERSION 7 POS



TE Part # 2201713-1  
Thread 30P Rece PS S-Tail Cont KIT/N

### Also in the Series | O.C.H. Micro Circular Connectors



Connector Contacts(2)

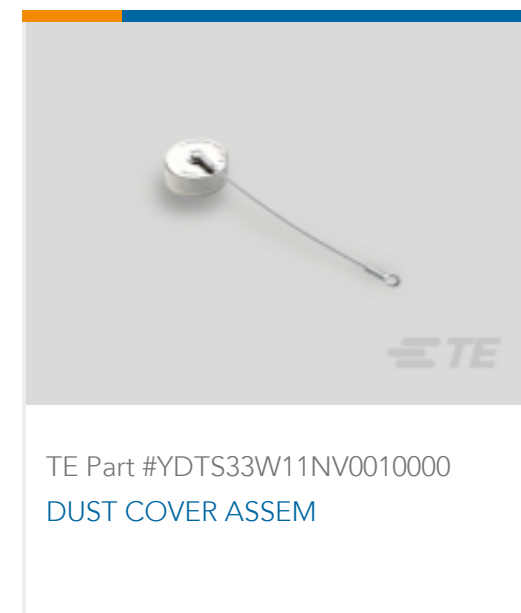
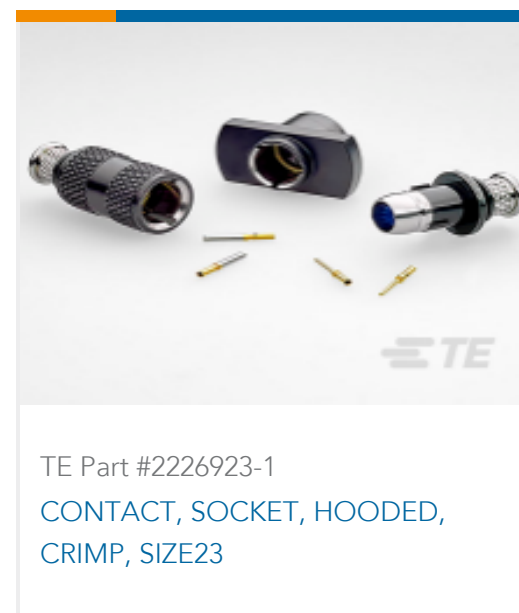
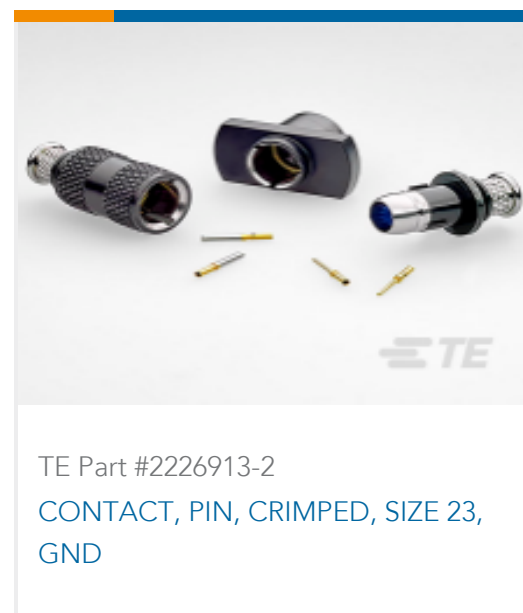
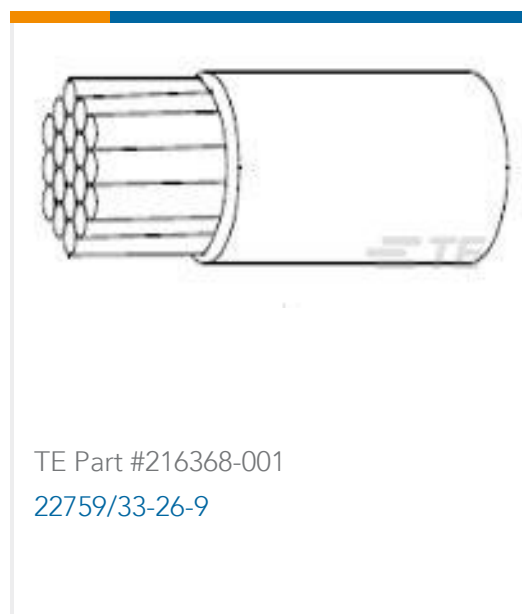


Crimp Wire Pins, Tabs & Ferrules(1)



Standard Circular Connectors(6)

### Customers Also Bought



## Documents

### CAD Files

3D PDF

3D

Customer View Model

[ENG\\_CVM\\_CVM\\_2226910-1\\_M.2d\\_dxf.zip](#)

English

Customer View Model

[ENG\\_CVM\\_CVM\\_2226910-1\\_M.3d\\_igs.zip](#)

English

Customer View Model

[ENG\\_CVM\\_CVM\\_2226910-1\\_M.3d\\_stp.zip](#)

English

By downloading the CAD file I accept and agree to the [Terms and Conditions](#) of use.

### Datasheets & Catalog Pages

[O.C.H. Micro Circular Connectors](#)

English

### Product Specifications



**Product Specification**

English

---

**Instruction Sheets**

**Instruction Sheet (U.S.)**

English

## X-ON Electronics

Largest Supplier of Electrical and Electronic Components

*Click to view similar products for [Circular MIL Spec Connector](#) category:*

*Click to view products by [TE Connectivity](#) manufacturer:*

Other Similar products are found below :

[0025-262-542](#) [0025-264-3014](#) [58-570121-04S](#) [0134-202-1200](#) [0134-207-1206](#) [0134-207-1800](#) [0134-207-2207](#) [0134-213-0806](#) [0134-213-1007](#) [0134-213-1009](#) [0134-213-1208](#) [0134-213-1800](#) [0134-213-2209](#) [0025-258-000](#) [015-9516-002](#) [60-042722-19P](#) [0114-201-1278](#)  
[602GB06EG24-61SN](#) [0134-201-1207](#) [0134-201-1806](#) [0134-201-2006](#) [0134-201-2007](#) [0134-201-2010](#) [0134-202-1400](#) [0134-207-0809](#) [0134-207-1208](#) [0134-207-2009](#) [0134-213-1006](#) [6104-207-2302](#) [6104-208-1902](#) [6104-215-0902](#) [6131-202-19149P](#) [6131-204-21149P](#) [6131-207-13149P](#) [6131-208-13149P](#) [6131-209-17149P](#) [6131-210-11149P](#) [6131-211-19149P](#) [6131-216-19149P](#) [6131-220-25149P](#) [6131-259-11149P](#) [6131-259-21149P](#) [6131-259-23149P](#) [6131-263-19149P](#) [6131-265-17149P](#) [6131-265-19149P](#) [CS3102A-20-15P](#) [CS3102A-20-15S](#) [CS3106A-10SL-53S](#) [CS3106A-10SL-64S](#)