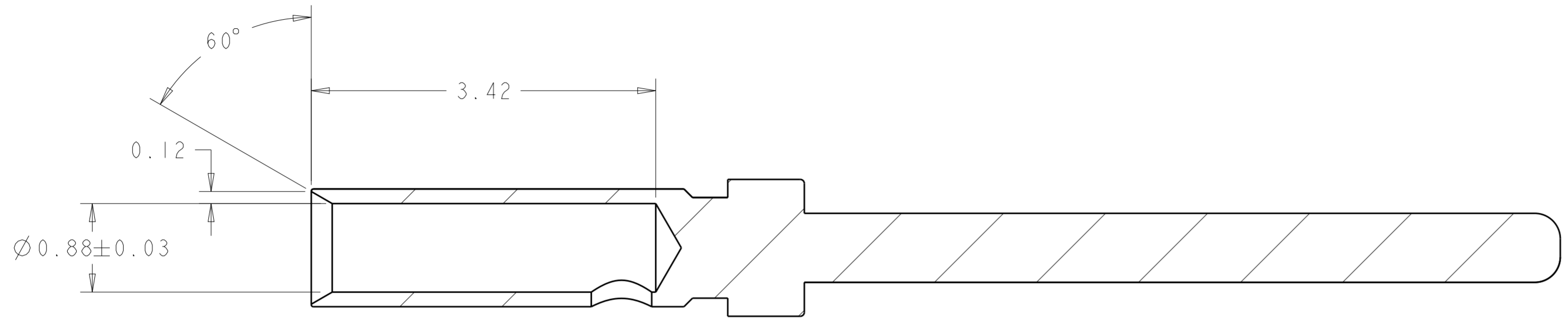
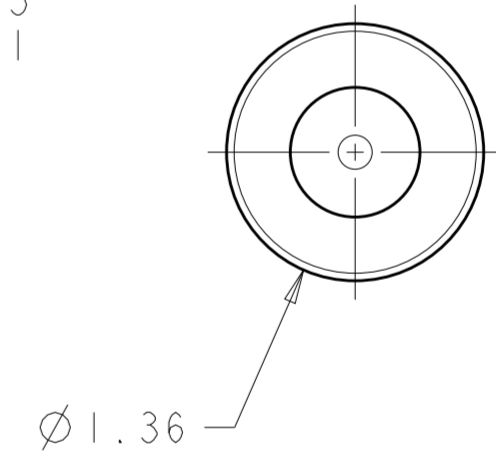
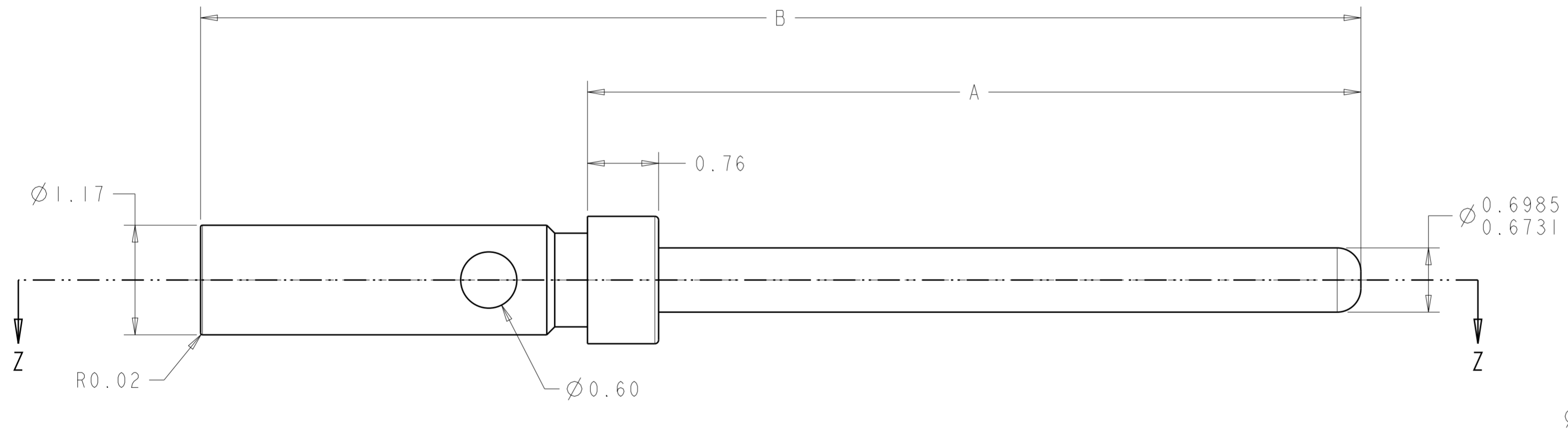


THIS DRAWING IS UNPUBLISHED. RELEASED FOR PUBLICATION 20
 © COPYRIGHT 20 BY - ALL RIGHTS RESERVED.

REVISIONS				
P	LTR	DESCRIPTION	DATE	APVD
A		RELEASED PER ECO 16-000564	1-28-16	CT DM



SECTION Z-Z



- 1 MATERIAL: COPPER ALLOY.
- 2 FINISH: 1.27µm GOLD PER ASTM B488 TYPE II CODE C CLASS 1.25 OVER 2.54µm NICKEL PER QQ-N-290 CLASS 2.

6.008	12.40	46.556	8.265	2226913-2
5.600	11.40	44.258	7.265	2226913-1
VOLUME	B	AREA	A	PART NO

THIS DRAWING IS A CONTROLLED DOCUMENT.		DWN L.SIPE 04FEB2014	TE Connectivity	
DIMENSIONS: mm		CHK C.YI 14FEB2014		
TOLERANCES UNLESS OTHERWISE SPECIFIED: 0 PLC ± 1 PLC ± 2 PLC ±0.05 3 PLC ±0.025 4 PLC ± ANGLES ± FINISH		APVD -	NAME PIN CONTACT, SIZE 23, NETT WARRIOR	
MATERIAL		PRODUCT SPEC -	APPLICATION SPEC -	RESTRICTED TO -
1		WEIGHT -	SIZE A2	CAGE CODE -
2		DRAWING NO G-2226913		SCALE 25:1
CUSTOMER DRAWING		SHEET OF		REV A

X-ON Electronics

Largest Supplier of Electrical and Electronic Components

Click to view similar products for [Circular MIL Spec Contacts](#) category:

Click to view products by [TE Connectivity](#) manufacturer:

Other Similar products are found below :

[006-1189-20](#) [M39029/106-616](#) [71-VEAM](#) [809-023](#) [809-111](#) [811393-000](#) [850-014](#) [97-45-1418P-4\(0920\)](#) [97-45-1418S-4](#) [D-602-0106CS076](#)
[AIC12-14P](#) [AIC16-16PG](#) [AIC8-12P](#) [AIC8-8SG](#) [AIC8-8SRAD](#) [1495044-1](#) [BACC47CP2T](#) [BACC47DP4](#) [BACC47GC1A](#) [BACC47GN1](#)
[16968/2C](#) [173-900245-91](#) [21-033909-028](#) [241611N001](#) [2560-220-2031](#) [27963-12T112](#) [27963-15T112](#) [27964-38T112](#) [2M809-118](#) [97-67-36-](#)
[20](#) [AIC12-16P](#) [AIC16-18PG](#) [AIC16-20PG](#) [AIC4-4PG](#) [AIC8-10P](#) [CE102S-18](#) [M39029/30-221](#) [M39029/30-222](#) [M39029/77-430](#) [416-2020-](#)
[088I](#) [MDM-21SH003B-F222](#) [48-100-5014P-02](#) [BACC47CN2](#) [BACC47CN3S](#) [BACC47GC3A](#) [BACC47GD3A](#) [BACC47GM1](#) [52G137 REV](#)
[A](#) [D-602-1116CS2727](#) [D-602-1117CS2727](#)