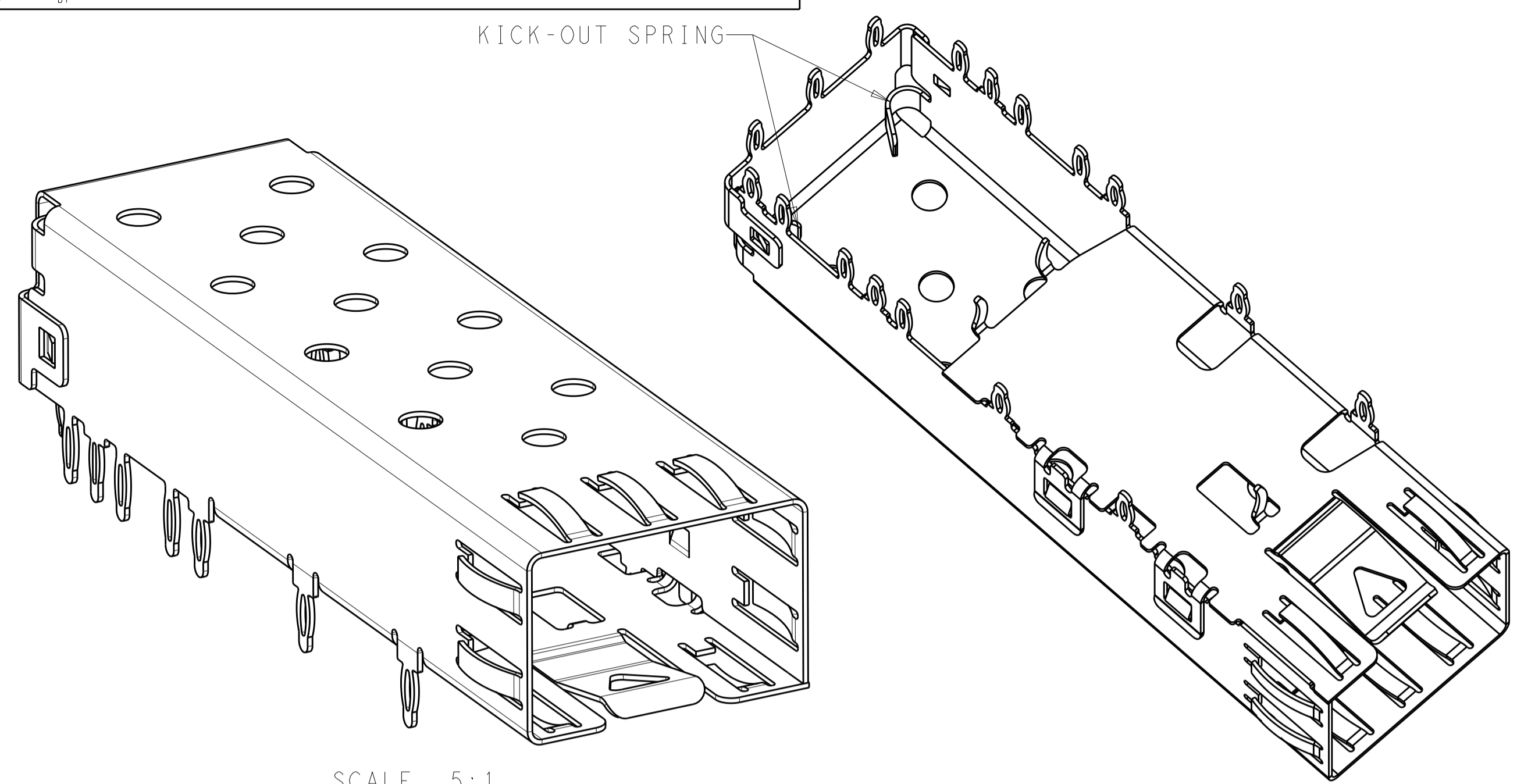


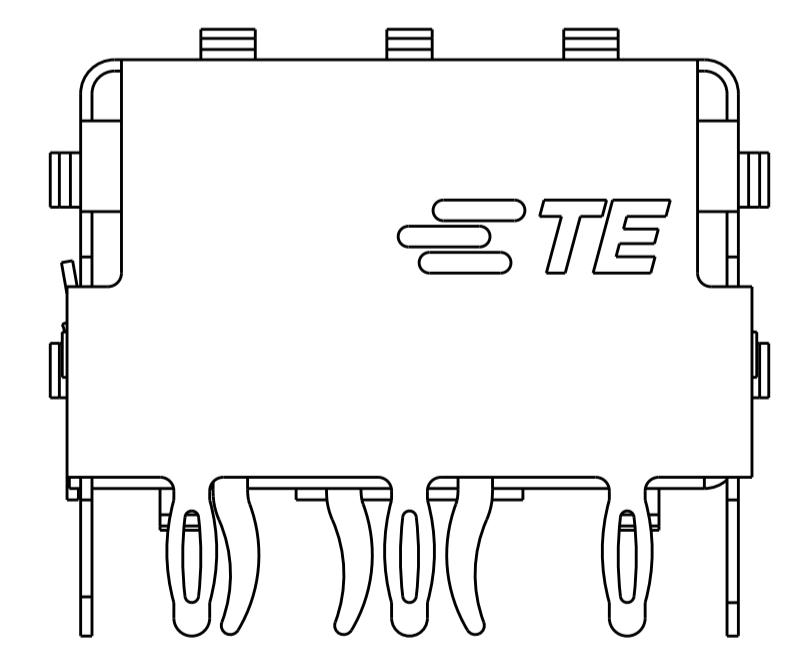
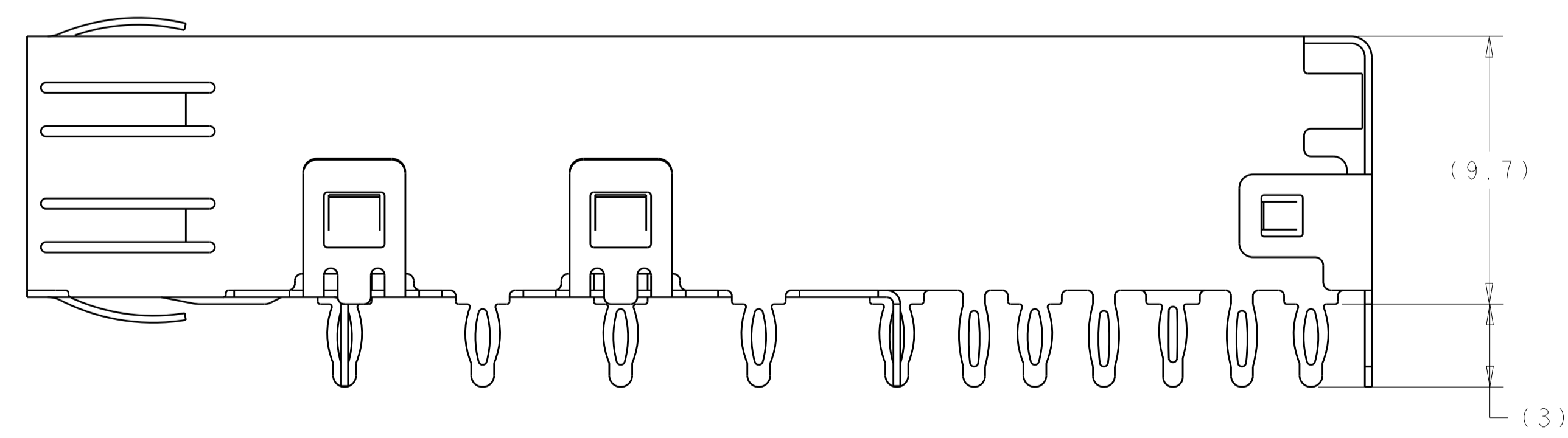
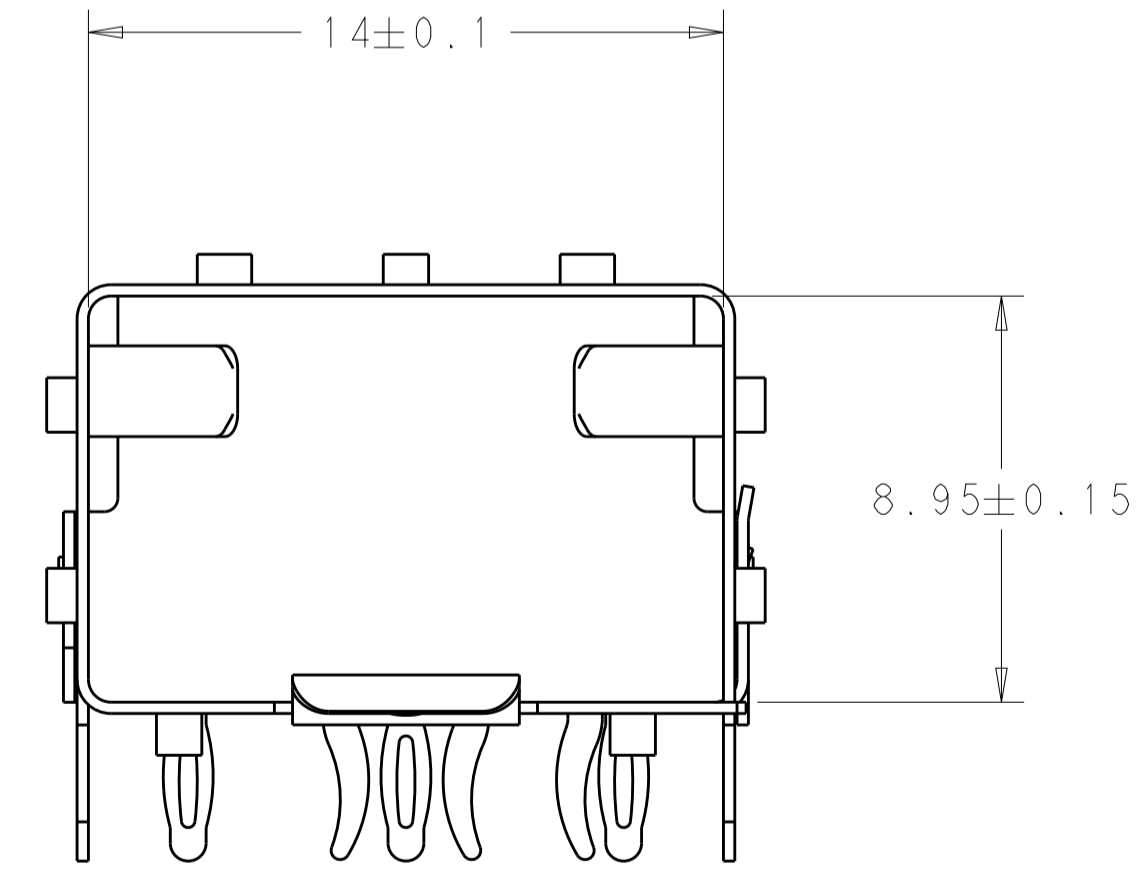
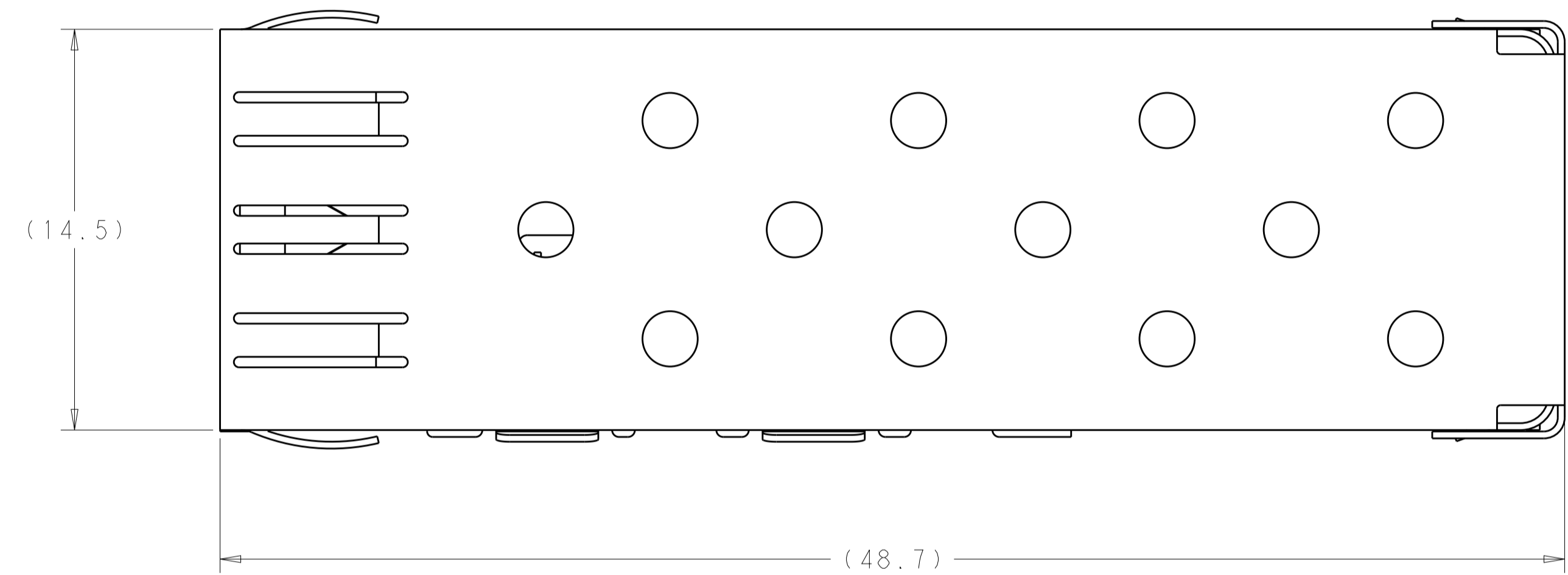
LOC	DIST	REVISIONS					
		P	LTN	DESCRIPTION	DATE	DWN	APVD
GP	00	A		INITIAL RELEASE	20APR2014	CW	SH
		B		ADD-3	25OCT2016	PP	SH



SCALE 5:1

SCALE 4:1

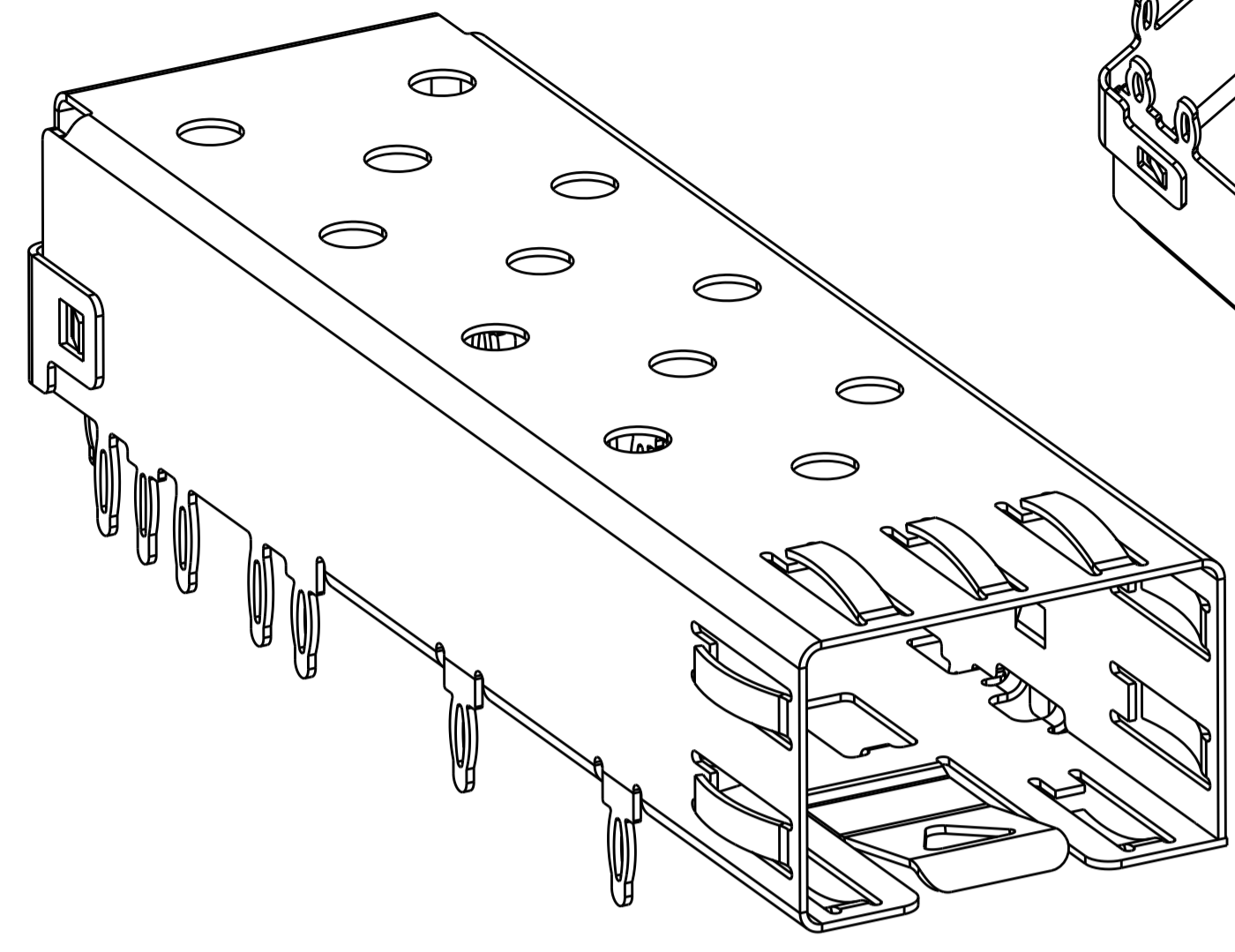
- 1 MATERIAL: 0.25mm THICK STAINLESS STEEL.
- 2 FINISH: NICKEL, NON PLATED EDGES PERMISSIBLE.
- 3. MATES WITH SFP MSA COMPLIANT TRANSCEIVERS.
- 4 PADS AND VIAS CHASSIS GROUND.
- 5 DATUM AND BASIC DIMENSION ESTABLISHED BY CUSTOMER.
- 6. MINIMUM PC BOARD THICKNESS:
SINGLE SIDED = 1.50 mm
- 7 REFERENCE APPLICATION SPEC. 114-13120, HOLE A, FOR
RECOMMENDED DRILL HOLE DIAMETER AND PLATING THICKNESS(EXCEPT IMMERSION SILVER PLATING).
- 8 REFERENCE APPLICATION SPEC. 114-13120, HOLE C, FOR
RECOMMENDED DRILL HOLE DIAMETER AND PLATING THICKNESS(EXCEPT IMMERSION SILVER PLATING).
- 9. THE RECOMMENDED DIMENSIONS FOR HOLES ON PAGE 2/2 ARE NOT COMPATIBLE WITH IMMERSION SILVER PLATING HOLES
BECAUSE OF OVERLARGE INSERTION FORCE.



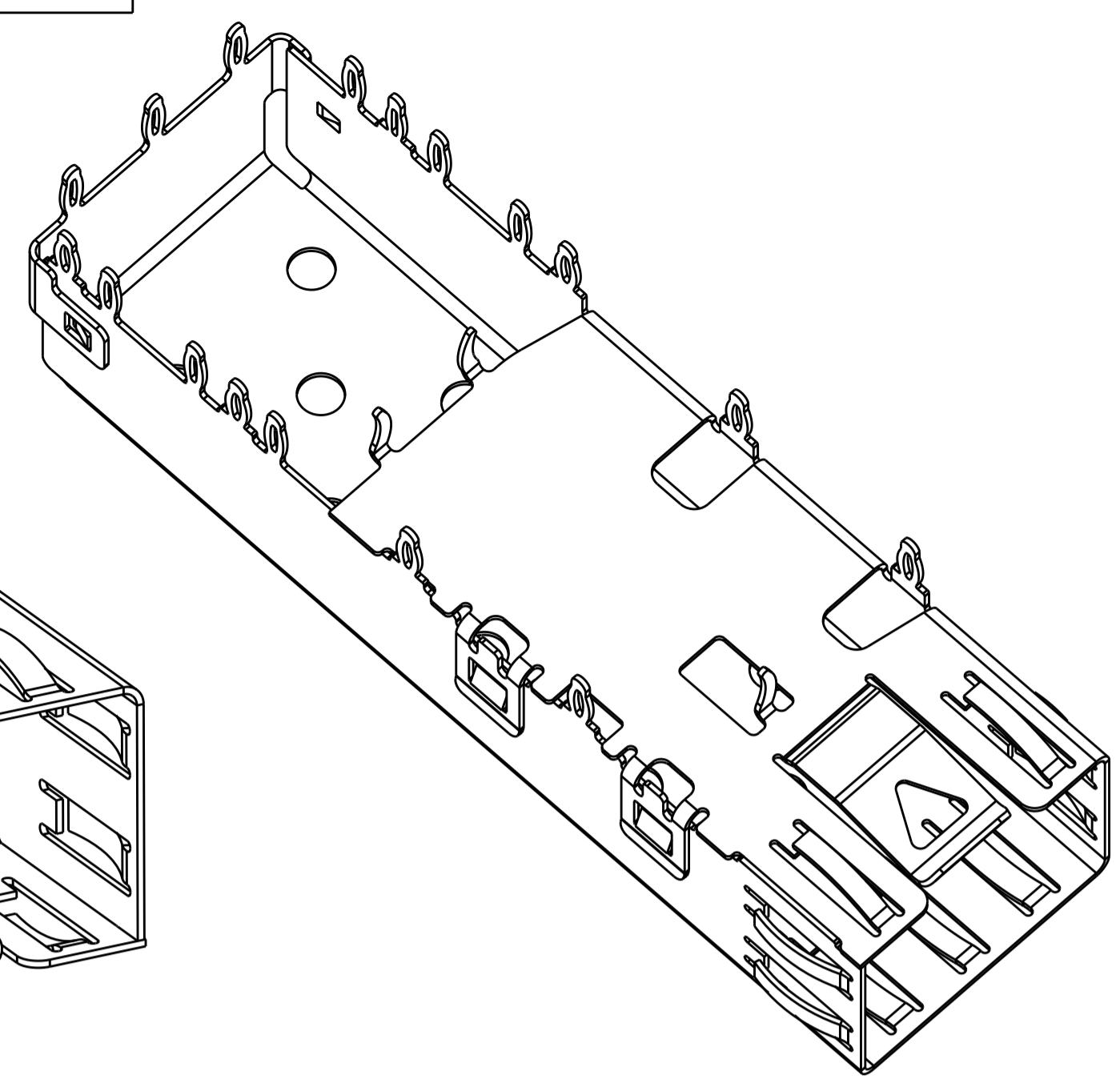
WITHOUT KICK-OUT SPRING(PAGE 2)	2227023-3
WITH KICK-OUT SPRING(PAGE 1)	2227023-1
DESCRIPTION	PART NUMBER

THIS DRAWING IS A CONTROLLED DOCUMENT. DIMENSIONING AND TOLERANCING PER ASME Y14.5M-2009		DWN C. VALENTIN 07NOV2012	STE Connectivity	
DIMENSIONS: mm		CHK M. SCHMITT 07NOV2012	APVD M. SCHMITT 07NOV2012	
TOLERANCES UNLESS OTHERWISE SPECIFIED:		NAME SFP, 1X1 SINGLE PIECE CAGE, PRESS FIT	SIZE CAGE CODE DRAWING NO	
0 PLC ±0.2	1 PLC ±0.1	PRODUCT SPEC 108-1950	RESTRICTED TO	
2 PLC ±0.1	3 PLC ±0.1	APPLICATION SPEC 114-13120	A100779C=2227023	
4 PLC ±0.1	ANGLES ±0.1	WEIGHT	SCALE 6:1 SHEET 1 OF 3 REV B	
MATERIAL	FINISH	CUSTOMER DRAWING		

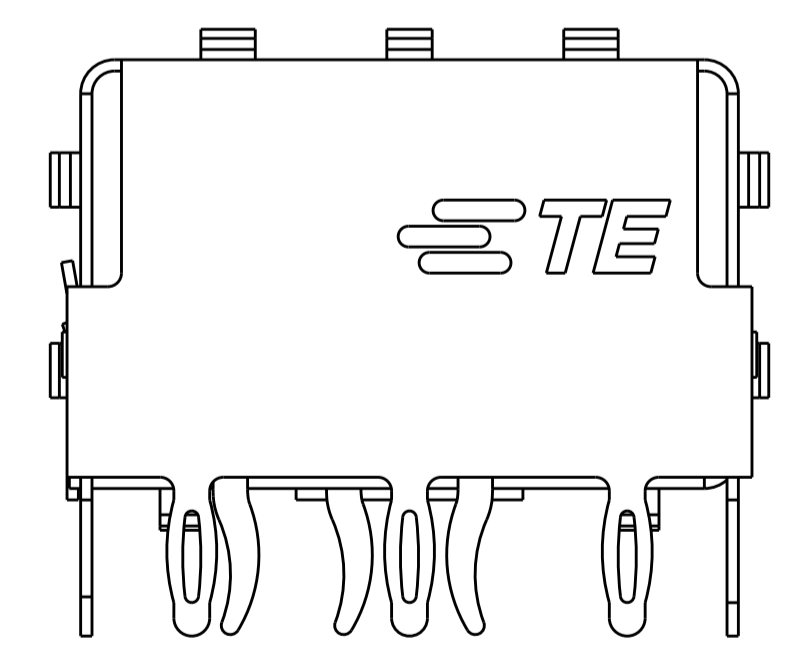
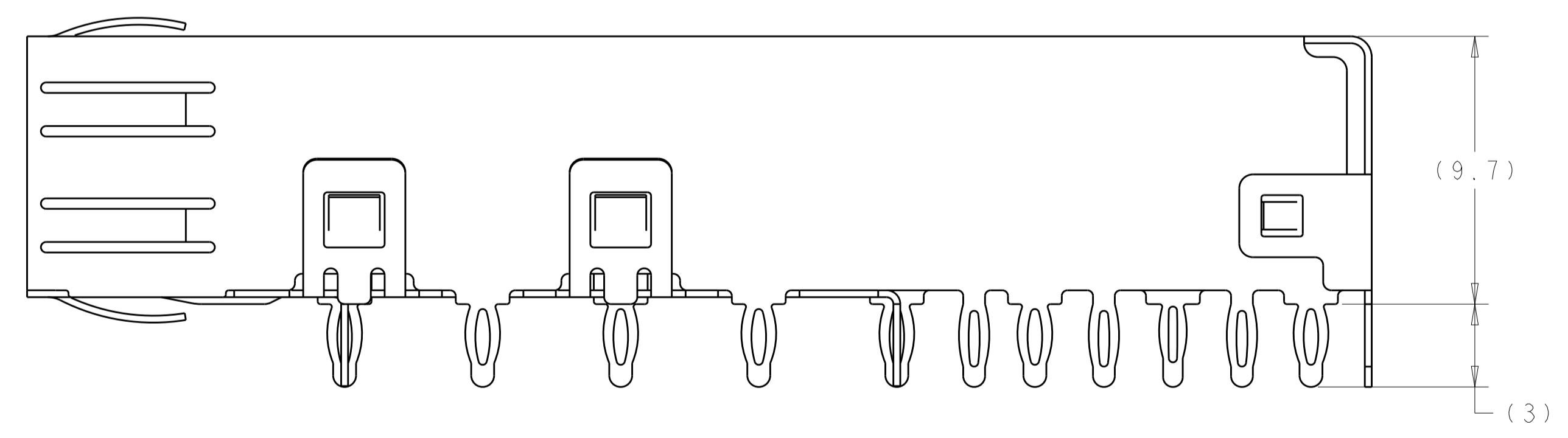
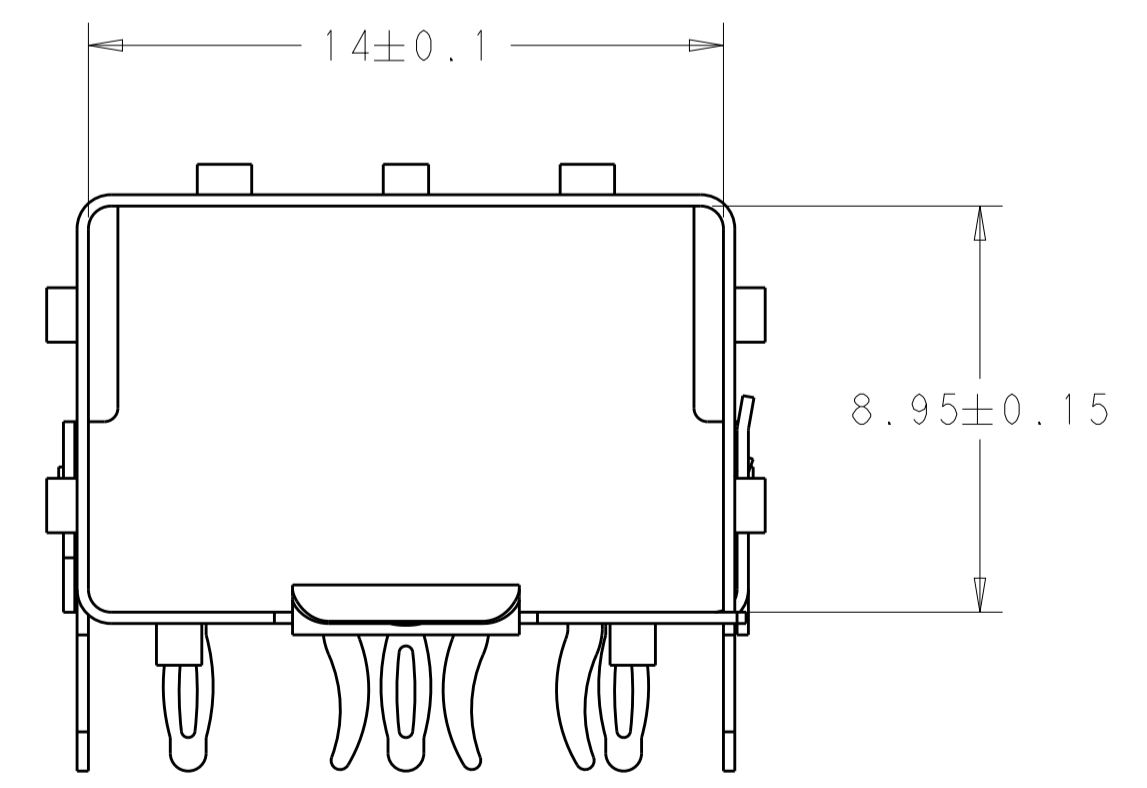
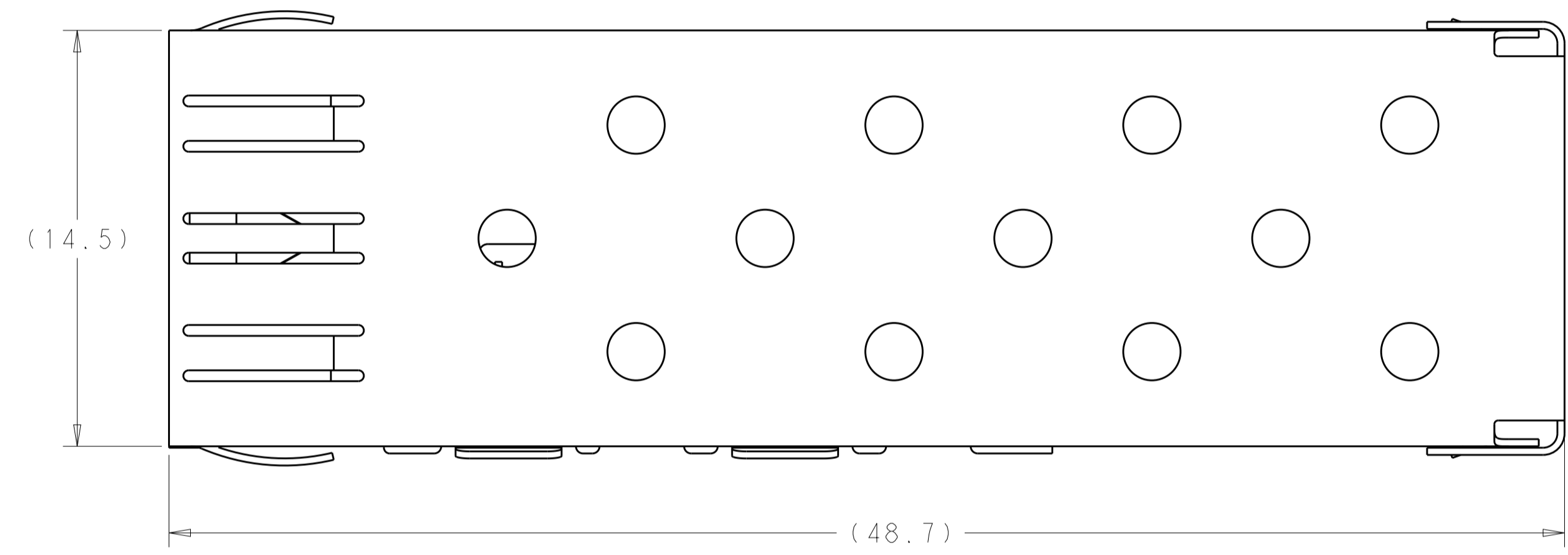
LOC		DIST		REVISIONS			
P.	LTN	DESCRIPTION	DATE	DWN	APVD		
-	-	SEE SHEET 1	-	-	-		



SCALE 5:1

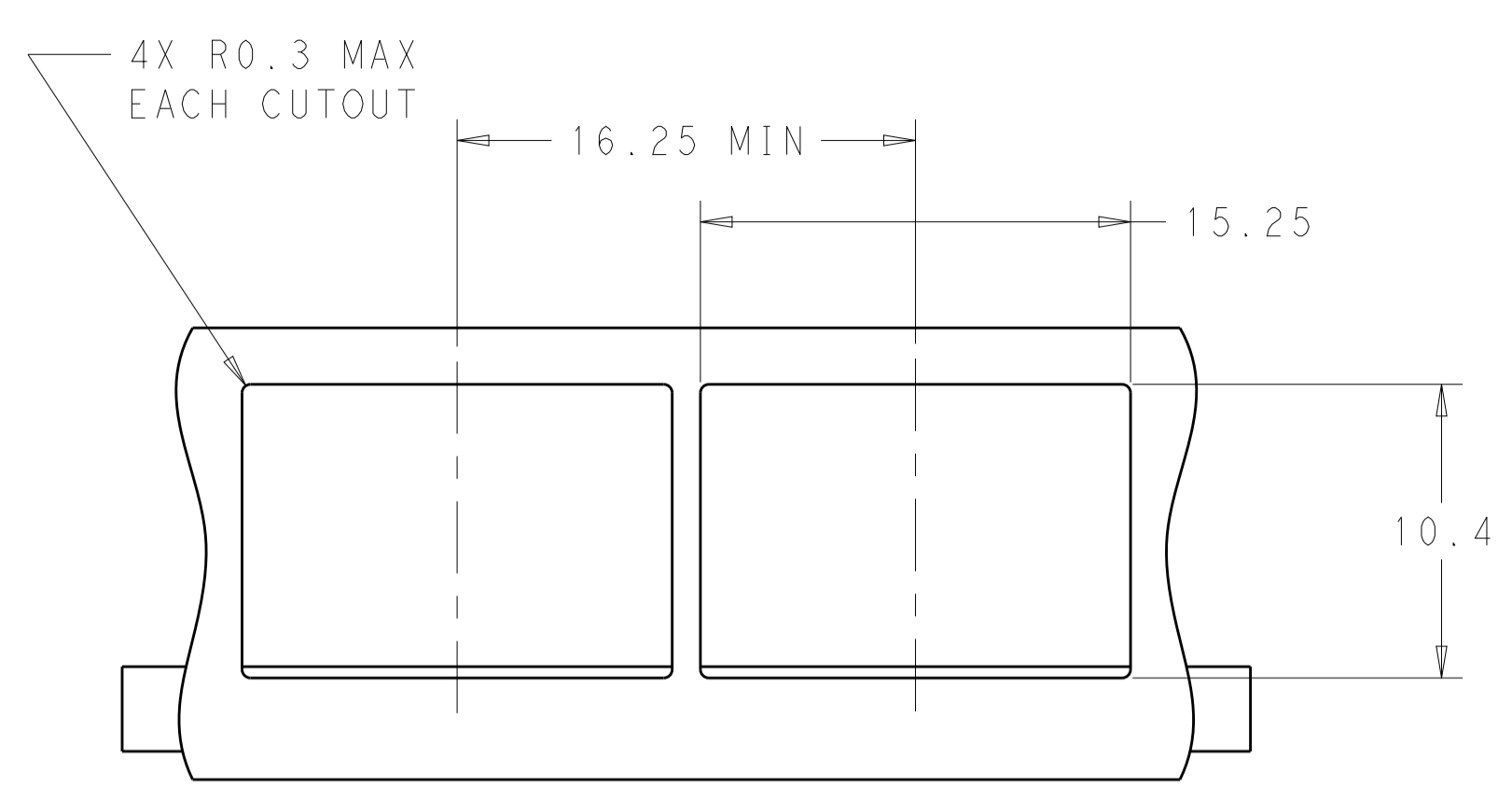


SCALE 4:1

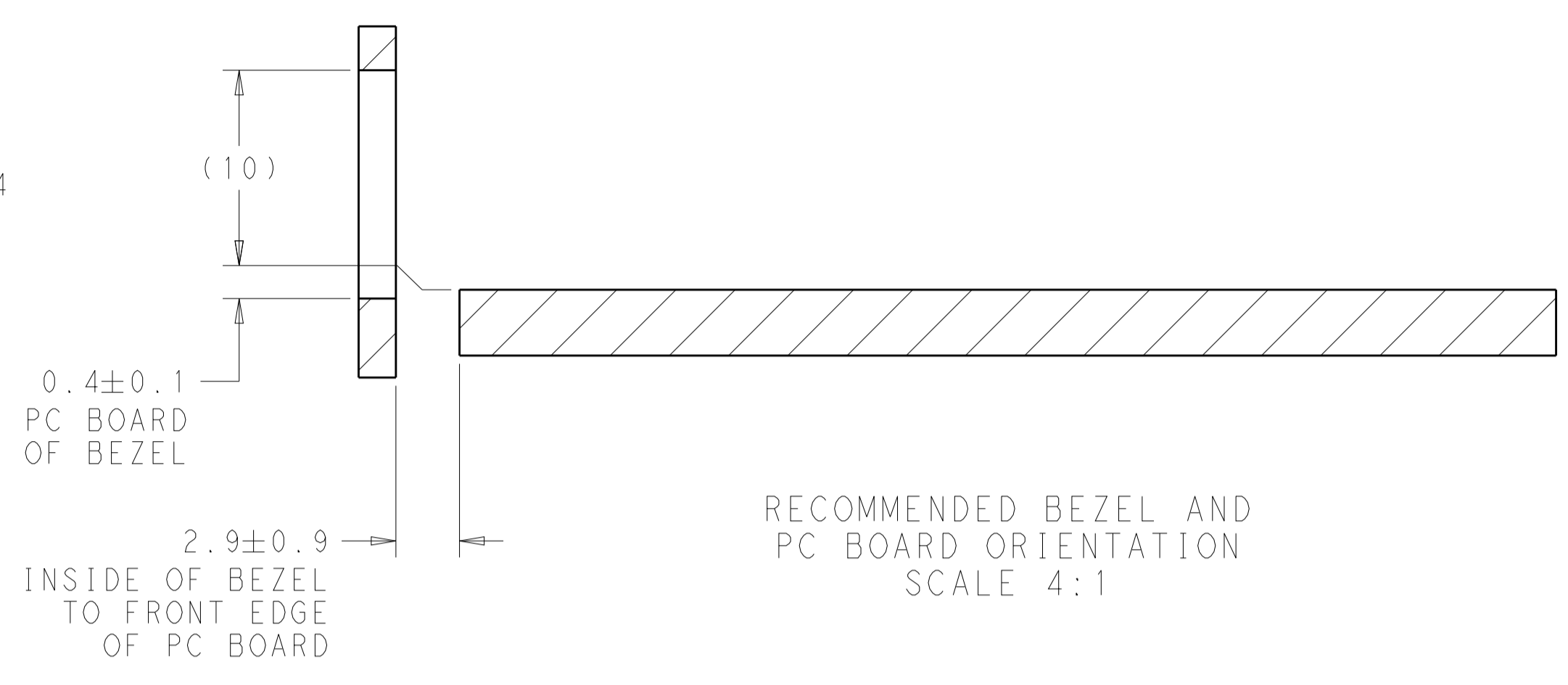


THIS DRAWING IS A CONTROLLED DOCUMENT.		DWN C. VALENTIN 07NOV2012	TE Connectivity
DIMENSIONS:		CHK M. SCHMITT 07NOV2012	
mm	TOLERANCES UNLESS OTHERWISE SPECIFIED:	APVD M. SCHMITT 07NOV2012	NAME SFP, 1X1 SINGLE PIECE CAGE, PRESS FIT
0 PLC ± 1 PLC ±0.2 2 PLC ±0.1 3 PLC ±0.1 4 PLC ± ANGLES ± FINISH ±	0 PLC ± 1 PLC ±0.2 2 PLC ±0.1 3 PLC ±0.1 4 PLC ± ANGLES ± FINISH ±	PRODUCT SPEC 108-1950	SIZE A100779
MATERIAL		APPLICATION SPEC 114-13120	DRAWING NO C=2227023
		WEIGHT	RESTRICTED TO
		Customer Drawing	SCALE 6:1 SHEET 2 OF 3 REV B

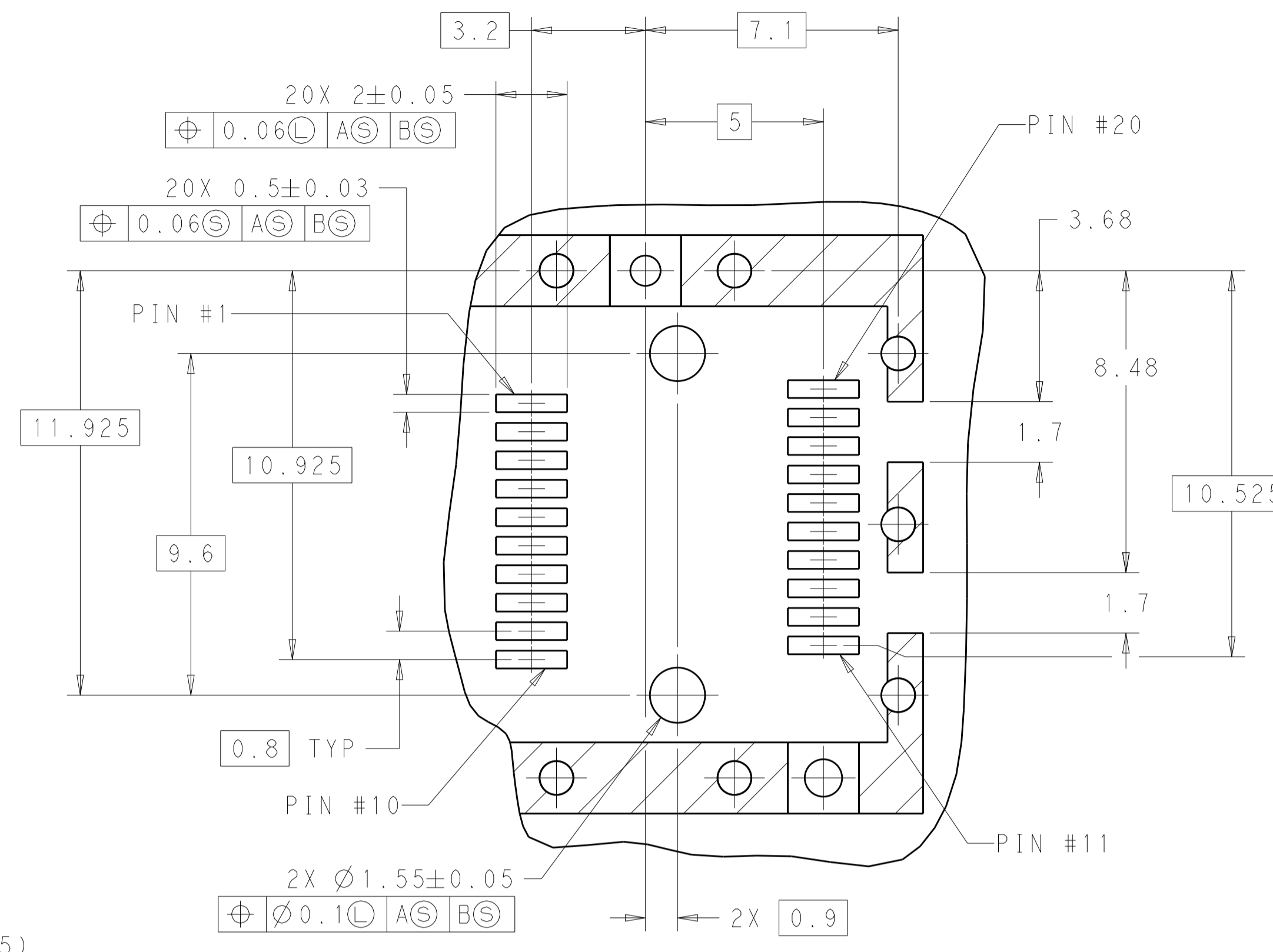
LOC	DIST	REV	DESCRIPTION	DATE	DWN	APVD
GP	00		SEE SHEET 1			



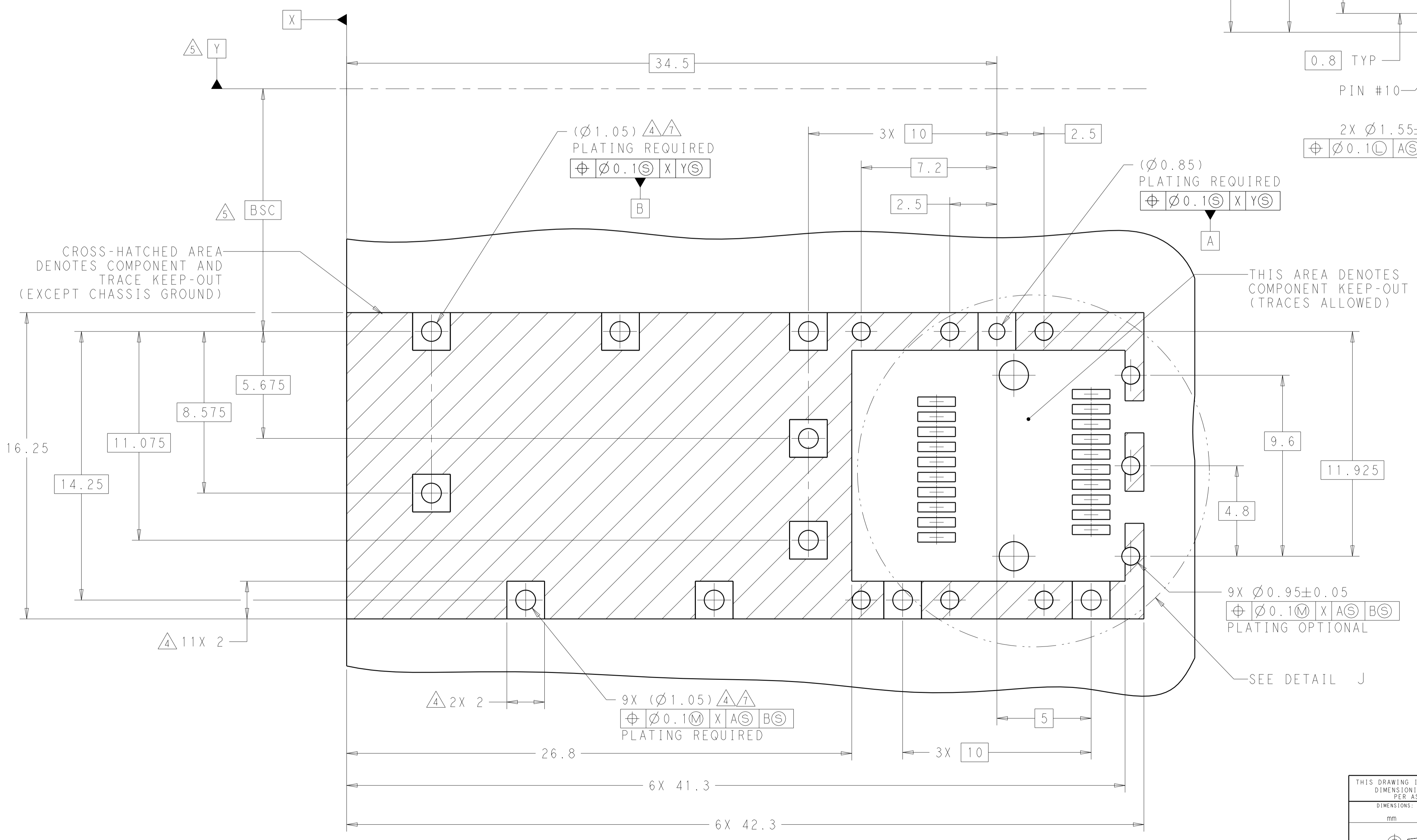
RECOMMENDED BEZEL CUTOUT
SCALE 4:1



RECOMMENDED BEZEL AND
PC BOARD ORIENTATION
SCALE 4:1



DETAIL J
SCALE 8:1



THIS DRAWING IS A CONTROLLED DOCUMENT. DIMENSIONING AND TOLERANCING PER ASME Y14.5M-2009		DWN: C. VALENTINE 07NOV2012 CHK: M. SCHMITT 07NOV2012 APVD: M. SCHMITT 07NOV2012	NAME: SFP, 1X1 SINGLE PIECE CAGE, PRESS FIT
DIMENSIONS: mm	TOLERANCES UNLESS OTHERWISE SPECIFIED:	PRODUCT SPEC: 108-1950	SIZE: A1
Ø	0 PLC ±0.2	APPLICATION SPEC: 114-13120	SCALE: 1:1
PLC	1 PLC ±0.1	WEIGHT: -	SHEET 3 OF 3
PLC	2 PLC ±0.1	CUSTOMER DRAWING	REV B
PLC	3 PLC ±0.1		
PLC	4 PLC ±0.1		
PLC	5 PLC ±0.1		
PLC	6 PLC ±0.1		
PLC	7 PLC ±0.1		
PLC	8 PLC ±0.1		
PLC	9 PLC ±0.1		
PLC	10 PLC ±0.1		
PLC	11 PLC ±0.1		
PLC	12 PLC ±0.1		
PLC	13 PLC ±0.1		
PLC	14 PLC ±0.1		
PLC	15 PLC ±0.1		
PLC	16 PLC ±0.1		
PLC	17 PLC ±0.1		
PLC	18 PLC ±0.1		
PLC	19 PLC ±0.1		
PLC	20 PLC ±0.1		

X-ON Electronics

Largest Supplier of Electrical and Electronic Components

Click to view similar products for [I/O Connectors](#) category:

Click to view products by [TE Connectivity](#) manufacturer:

Other Similar products are found below :

[571763P](#) [58098-0628](#) [72.250.1628.2](#) [72.250.2428.2](#) [74720-0505](#) [76.350.0729.0](#) [76871-1403](#) [FCN-244F080-G/1](#) [FCN-260A9920](#) [PCR-E36PM](#) [PCS-XE26MA+](#) [G38A71314B](#) [DX40-50P\(55\)](#) [1571250010](#) [157-22500-3](#) [MS3471L14-19P L/C](#) [91-569786-35H](#) [172501-4002](#) [172501-6002](#) [FCN-260C008-A/L0](#) [FCN-260C024-AL0](#) [FCN-261Z008](#) [2000314-1](#) [200331-1](#) [PCR-E36FC+](#) [PCS-E28FS+](#) [PCS-XE26SLFD+](#) [PCS-XE26SLFDT+](#) [G730VID08BDC24](#) [U90B2054081210](#) [UE86K842720321](#) [38113800006](#) [DP3AR020WQ1R200](#) [Z4.102.0680.0](#) [500-1040](#) [500-1052](#) [500-1054](#) [ZP-4008-66L](#) [0709821002](#) [10-565995-597N](#) [DX40-20P\(55\)](#) [5554841-1](#) [MS3474W18-8P-LC*](#) [U90B3054061110](#) [U65-E04-4020](#) [ZPF000000000097891](#) [557-262M2-06C](#) [747360449](#) [10099439-003C-TRLF](#) [10137239-0021LF](#)