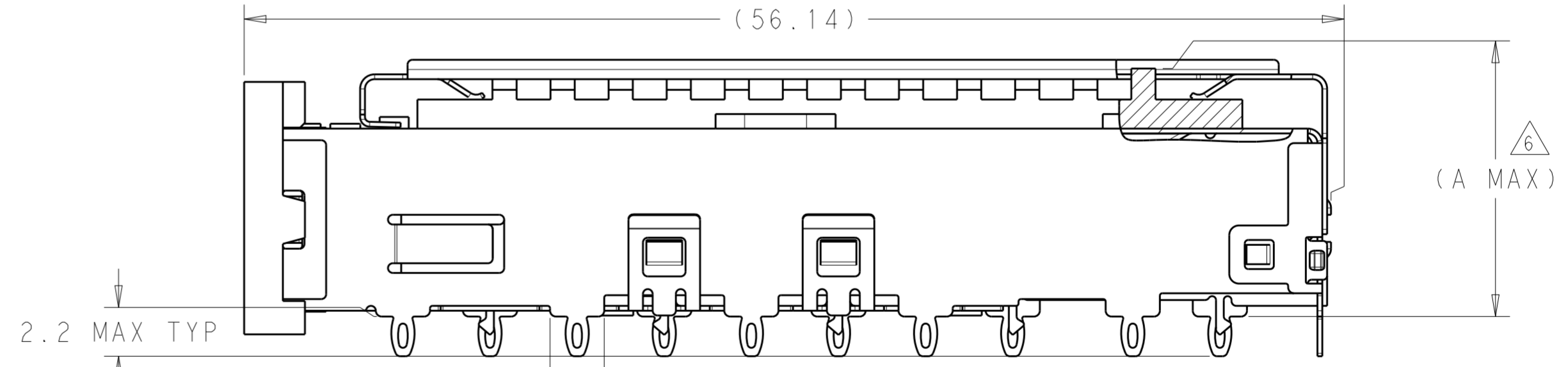
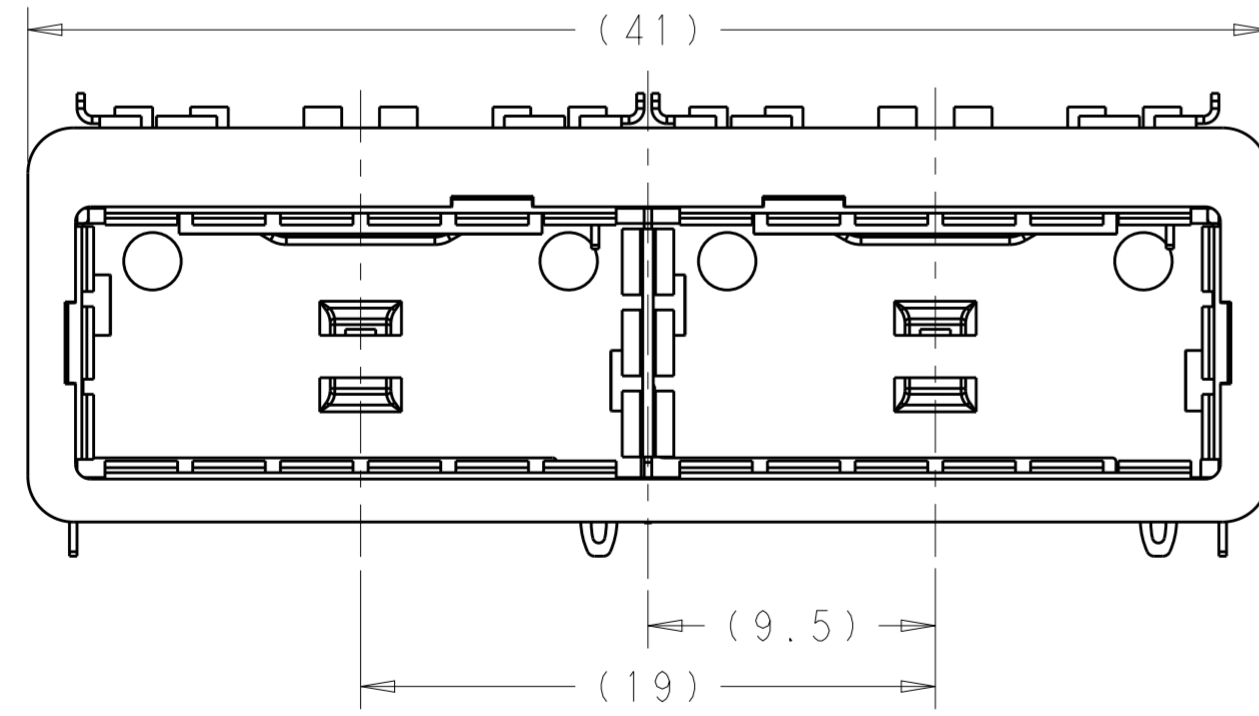
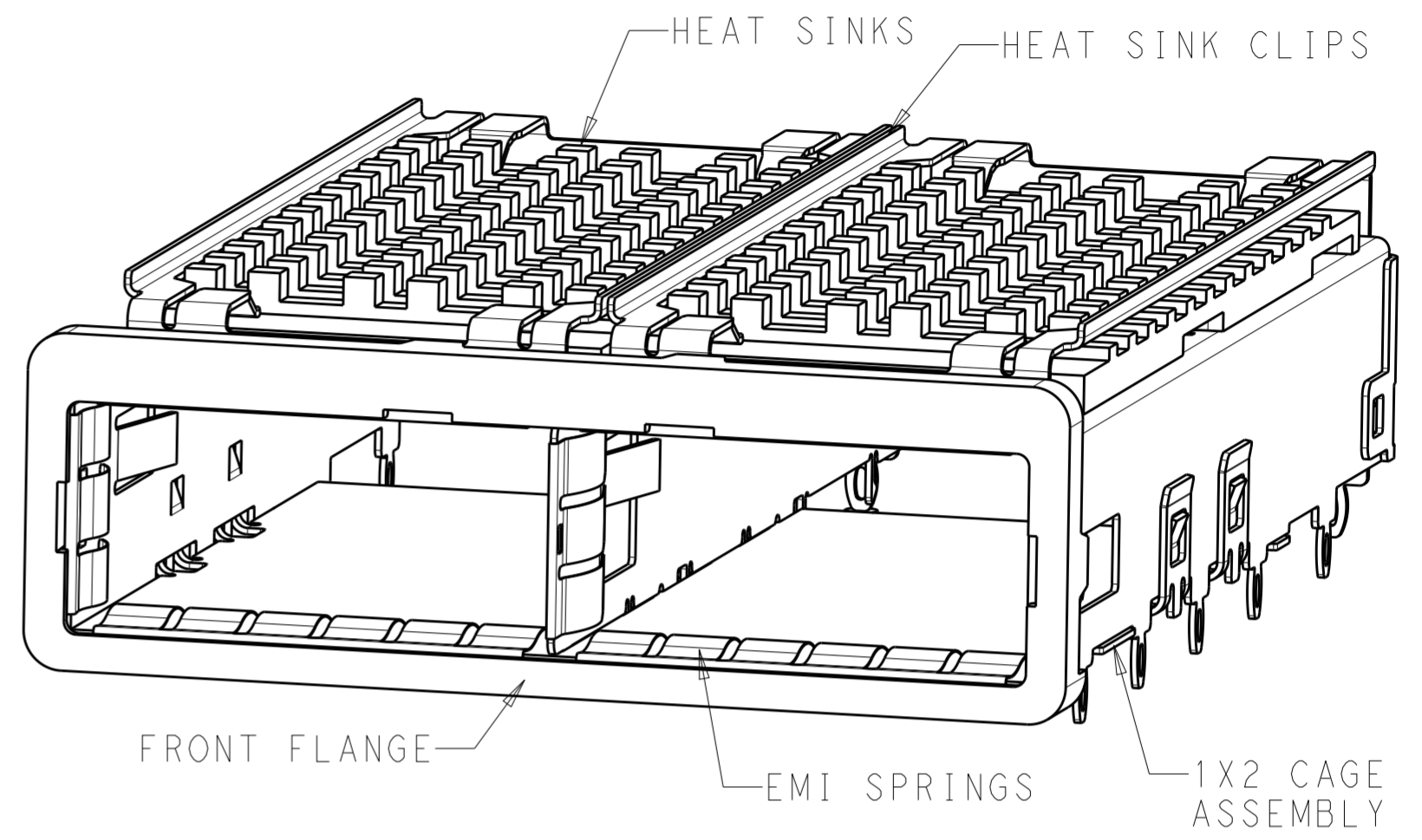


THIS DRAWING IS UNPUBLISHED. RELEASED FOR PUBLICATION 20
 © COPYRIGHT 20 BY - ALL RIGHTS RESERVED.

LOC	DIST	REVISIONS					
GP	00	P	LTR	DESCRIPTION	DATE	DWN	APVD
		A		RELEASED PER ECO-14-003627	31MAR2014	BM	EB
		B		REVISED PER ECO-15-012666	07DEC2015	JY	SH

- 1 MATERIALS/FINISH:
 CAGE ASSEMBLY - NICKEL-SILVER ALLOY, (0.25) THICK
 EMI SPRINGS - COPPER ALLOY/2µm MIN TIN
 FRONT FLANGE - ZINC ALLOY/3µm MIN TIN OVER 1.27µm MIN NICKEL OVER 5.08µm MIN COPPER
 HEAT SINK - ALUMINUM/NICKEL
 HEAT SINK CLIP - STAINLESS STEEL
 LIGHT PIPE: CLEAR POLYCARBONATE
- 2 SPACING BETWEEN CAGES ON THE SAME PCB TO BE SPECIFIED BY THE CUSTOMER, MUST COMPLY WITH MINIMUM DIMENSION SHOWN
- 3 REFERENCE APPLICATION SPECIFICATION 114-32023 FOR RECOMMENDED DRILL HOLE DIAMETER AND PLATING THICKNESS
- 4 DATUMS AND BASIC DIMENSIONS ESTABLISHED BY CUSTOMER
- 5 HEAT SINKS AND CLIPS ARE SHIPPED ASSEMBLED, CAGE ASSEMBLY MAY BE PRESSED INTO THE PCB AS SHIPPED
- 6 DIMENSION APPLIES WITH MODULE INSERTED IN CAGE
- 7 UNPLATED THRU HOLE
- 8 MATES WITH QSFP MSA COMPATIBLE TRANSCEIVER
- 9 SURFACE TRACES PERMITTED WITHIN THIS AREA EXCEPT WHERE CAGE STANDOFFS CONTACT PCB
- 10 BASELINE FOR THESE DIMENSIONS IS THE CENTER OF COMPLIANT PIN HOLE
- 11 DATE CODE (YYWWD) IS MARKED ON TOP OF CAGE BUT IS CONCEALED BY HEAT SINKS, APPLIES TO CAGE ASSEMBLY ONLY
- 12 REFERENCE APPLICATION SPECIFICATION 114-32023 FOR GASKET THICKNESS CALCULATION
- 13 HEAT SINKS, LIGHT PIPES AND CLIPS ARE SHIPPED ASSEMBLED, CAGE ASSEMBLY MAY BE PRESSED INTO THE PCB AS SHIPPED.
- 14 HEAT SINKS AND CLIPS SHIPPED ASSEMBLED TO CAGE ASSEMBLY. CAGE ASSEMBLY MAY BE PRESSED INTO THE PCB AS SHIPPED. LIGHT PIPES, SHIPPED UNATTACHED, MUST BE ASSEMBLED BY CUSTOMER AFTER THE CAGE IS SEATED IN THE PCB.



5	23	NETWORKING	NO LIGHT PIPES	2227103-3
5	16	SAN	NO LIGHT PIPES	2227103-2
5	13.7	PCI	NO LIGHT PIPES	2227103-1
	A	HEAT SINK PROFILE	DESCRIPTION	PART NUMBER

THIS DRAWING IS A CONTROLLED DOCUMENT. DIMENSIONING AND TOLERANCING PER ASME Y14.5M-2009

DWN: M.E. COWHER 10AUG2012
 CHK: R.R. HENRY 16AUG2012
 APVD: R.R. HENRY 16AUG2012

STE TE Connectivity

NAME: RECEPTACLE ASSEMBLY WITH HEAT SINKS, BEHIND BEZEL, 1X2, QSFP28

PRODUCT SPEC: 108-19428
 APPLICATION SPEC: 114-32023

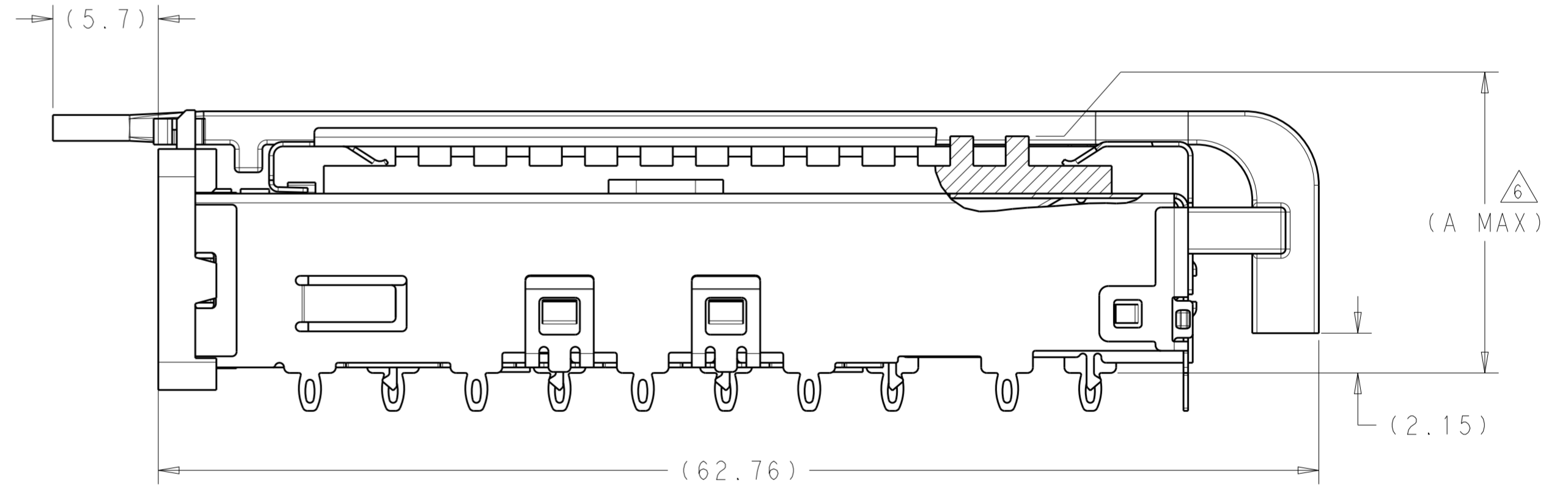
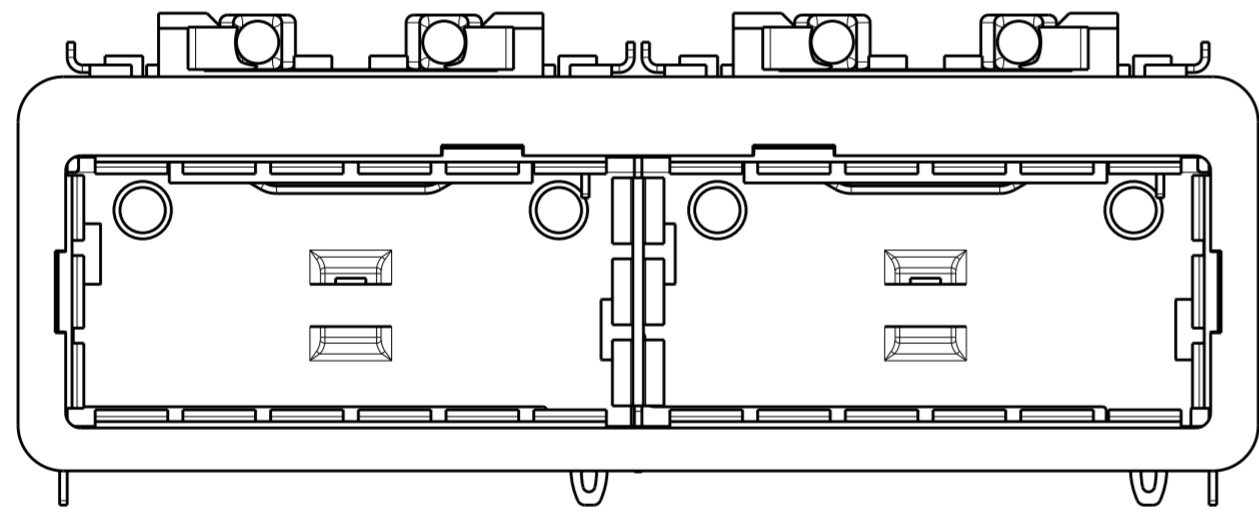
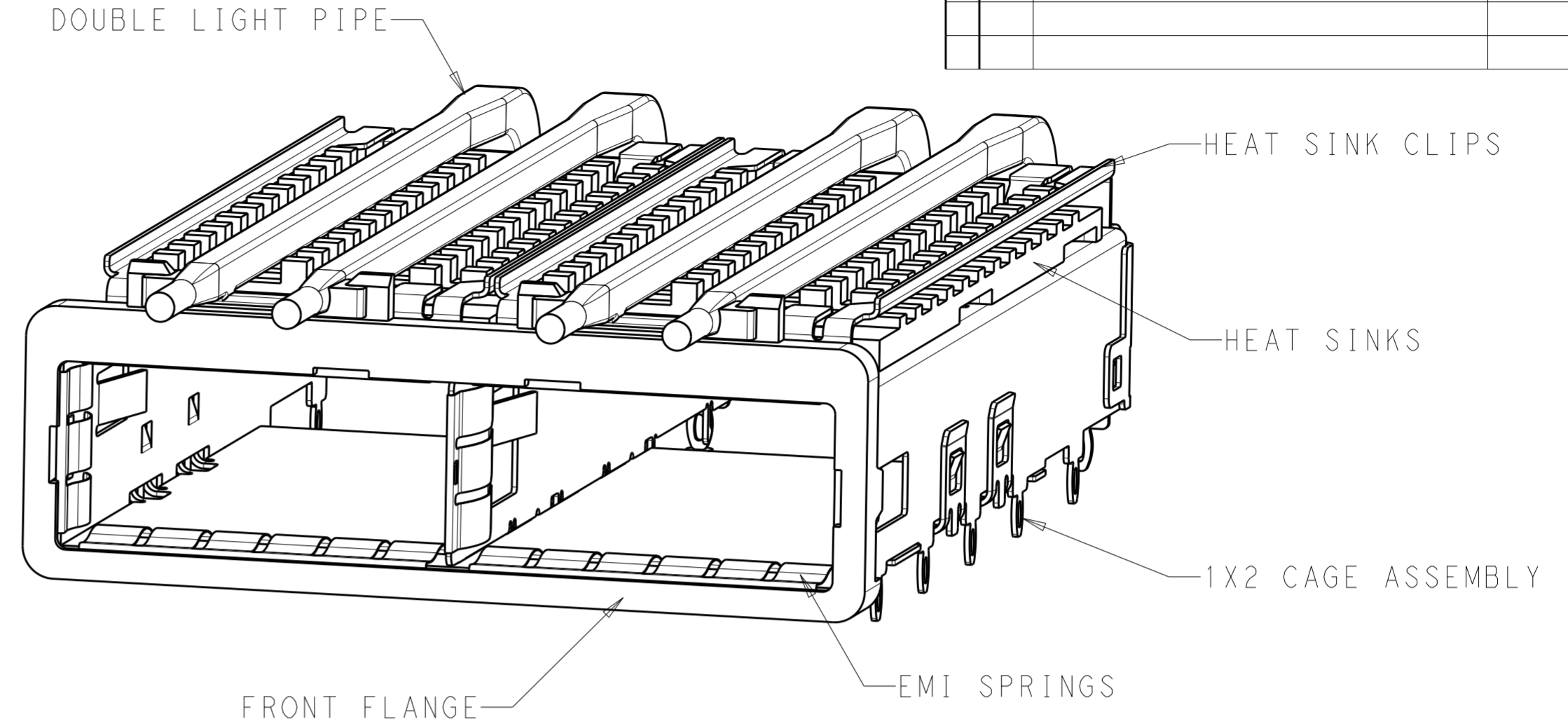
SIZE: A2 CAGE CODE: 00779 DRAWING NO: C-2227103 RESTRICTED TO: -

MATERIAL: SEE NOTES TOLERANCES UNLESS OTHERWISE SPECIFIED:
 0 PLC ±0.2
 1 PLC ±0.15
 2 PLC ±0.1
 3 PLC ±0.05
 4 PLC ±0.025
 ANGLES ±1
 FINISH SEE NOTES

Customer Drawing SCALE: 4:1 SHEET 1 OF 8 REV B

THIS DRAWING IS UNPUBLISHED. RELEASED FOR PUBLICATION 20
 © COPYRIGHT 20 BY - ALL RIGHTS RESERVED.

LOC	DIST	REVISIONS			
P	LTR	DESCRIPTION	DATE	DWN	APVD
-	-	SEE SHEET 1	-	-	-



ALL DIMENSIONS THE SAME AS ON SHEET 1 EXCEPT AS SHOWN

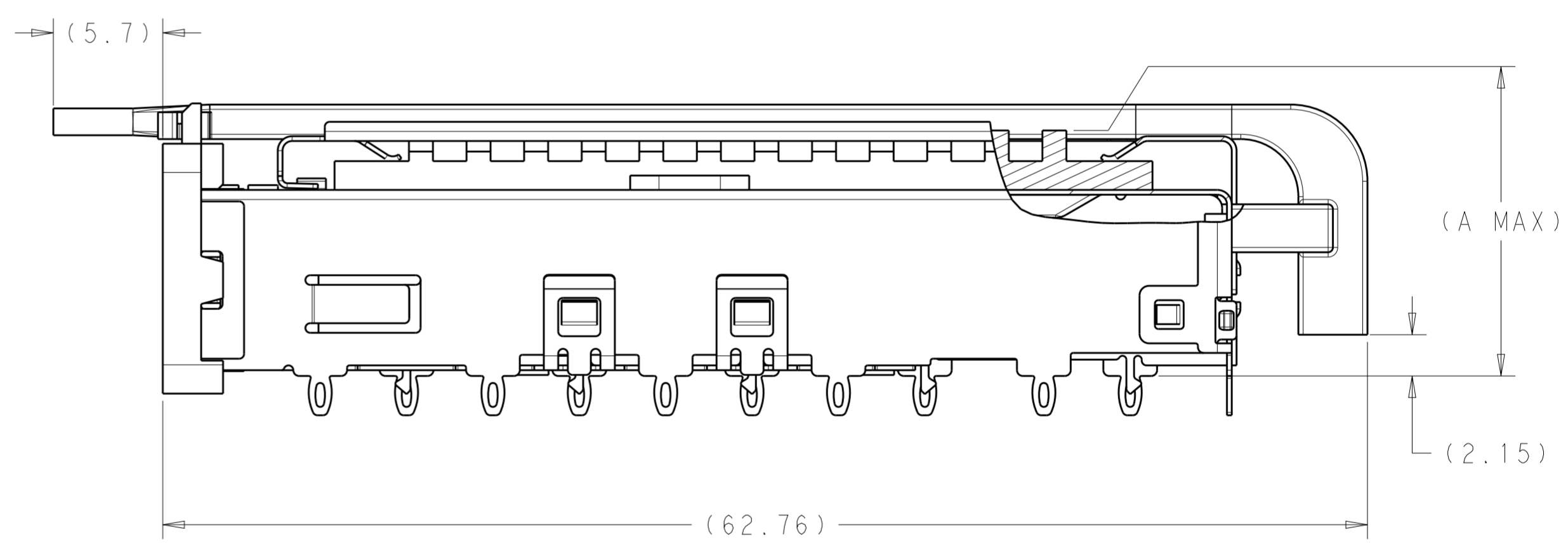
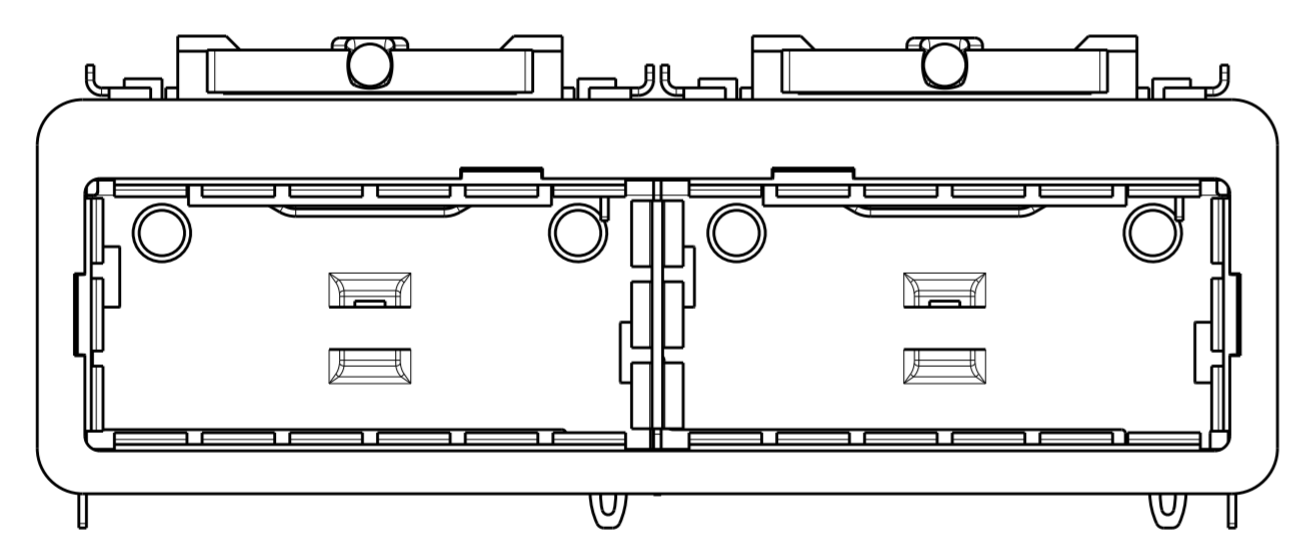
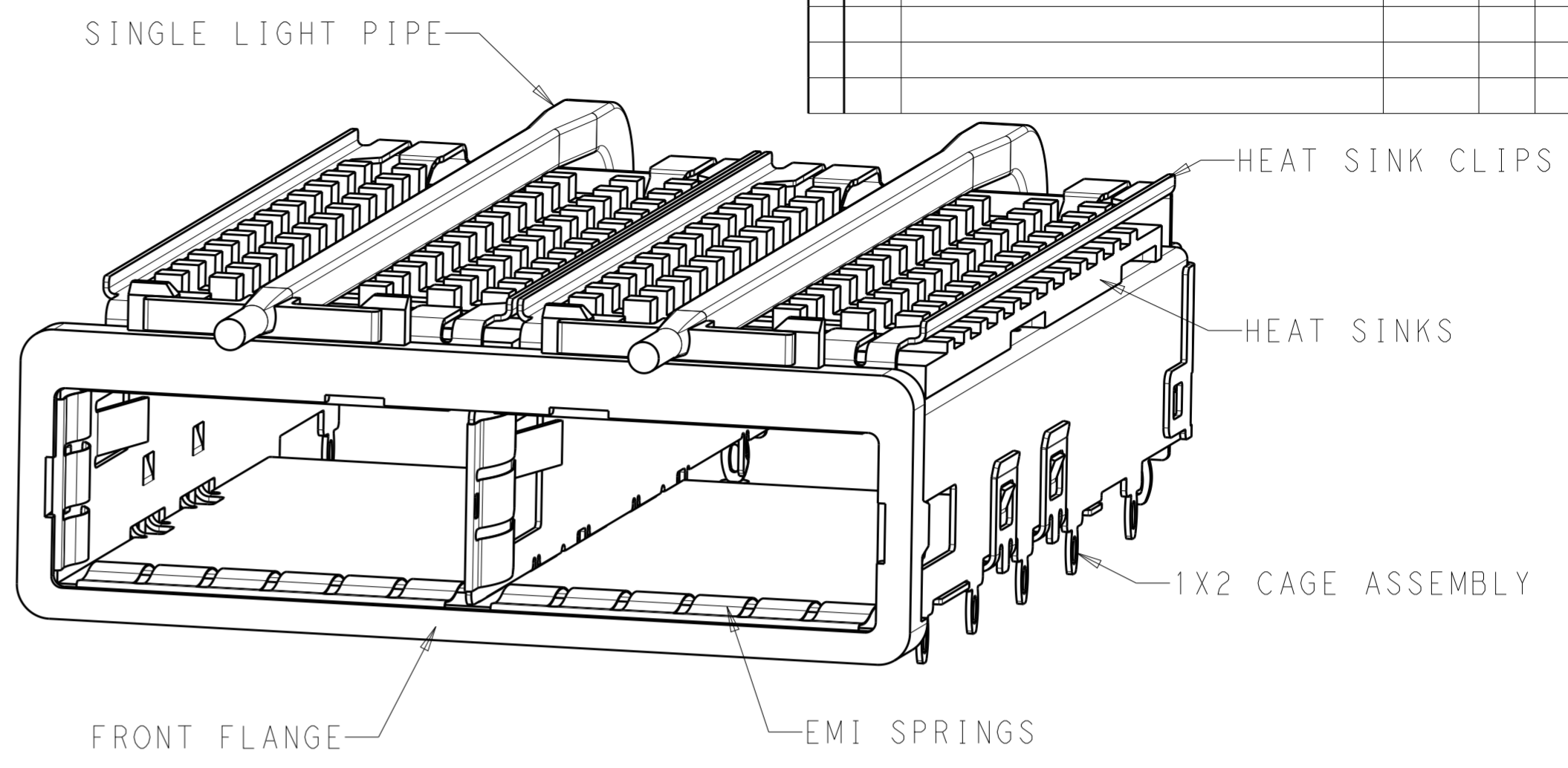
3	23	NETWORKING	DOUBLE LIGHT PIPES	2227103-6
3	16	SAN	DOUBLE LIGHT PIPES	2227103-5
4	13.7	PCI	DOUBLE LIGHT PIPES	2227103-4
A		HEAT SINK PROFILE	DESCRIPTION	PART NUMBER

PROPOSAL DESIGN: 2227103-4/5/6, HAVE NOT RELEASED, ANY QUESTIONS, PLEASE CONTACT RESPONSIBLE ENGINEER.

THIS DRAWING IS A CONTROLLED DOCUMENT.		DWN M.E. COWHER 10AUG2012	TE Connectivity	
		CHK R.R. HENRY 16AUG2012		
		APVD R.R. HENRY 16AUG2012	NAME RECEPTACLE ASSEMBLY WITH HEAT SINKS, BEHIND BEZEL, 1X2, QSFP28	
DIMENSIONS: mm		PRODUCT SPEC 108-19428	SIZE A200779	
TOLERANCES UNLESS OTHERWISE SPECIFIED: 0 PLC ±0.2 1 PLC ±0.15 2 PLC ±0.1 3 PLC ±0.05 4 PLC ±0.025 ANGLES ±1		APPLICATION SPEC 114-32023	DRAWING NO C-2227103	
MATERIAL SEE NOTES material_2		FINISH SEE NOTES finish_spec_2	RESTRICTED TO -	
		WEIGHT -	SCALE 4:1 SHEET 1 OF 8 REV B	
		Customer Drawing		

THIS DRAWING IS UNPUBLISHED. RELEASED FOR PUBLICATION 20
 © COPYRIGHT 20 BY - ALL RIGHTS RESERVED.

LOC		DIST		REVISIONS			
P	LTR	DESCRIPTION	DATE	DWN	APVD		
-	-	SEE SHEET 1	-	-	-		



ALL DIMENSIONS THE SAME AS ON SHEET 1 EXCEPT AS SHOWN

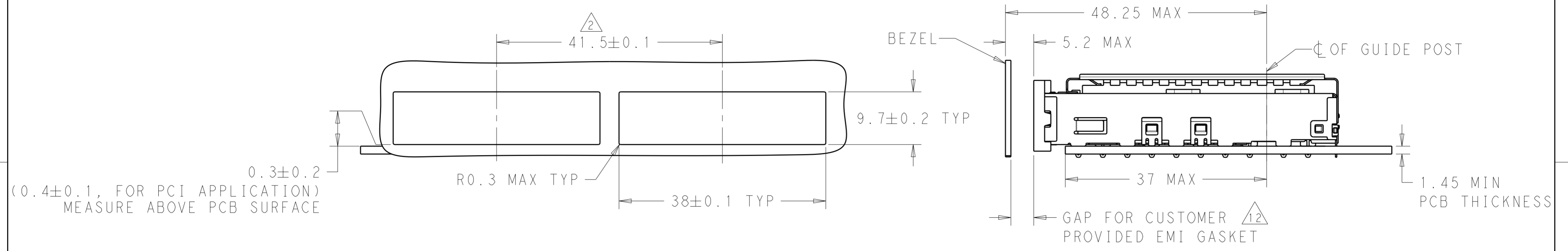
13	23	NETWORKING	SINGLE LIGHT PIPES	2227103-9
13	16	SAN	SINGLE LIGHT PIPES	2227103-8
14	13.7	PCI	SINGLE LIGHT PIPES	2227103-7
	A	HEAT SINK PROFILE	DESCRIPTION	PART NUMBER

PROPOSAL DESIGN: 2227103-7/8/9, HAVE NOT RELEASED. ANY QUESTIONS, PLEASE CONTACT RESPONSIBLE ENGINEER.

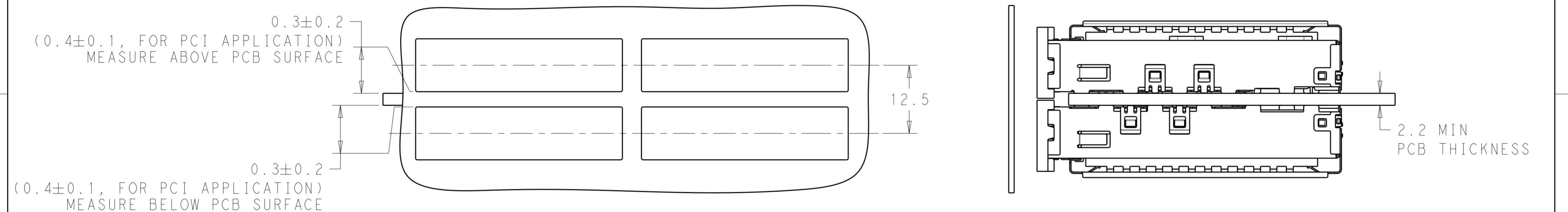
THIS DRAWING IS A CONTROLLED DOCUMENT.		DWN M.E. COWHER 10AUG2012	TE Connectivity	
DIMENSIONS: mm		CHK R.R. HENRY 16AUG2012		
TOLERANCES UNLESS OTHERWISE SPECIFIED:		APVD R.R. HENRY 16AUG2012	NAME RECEPTACLE ASSEMBLY WITH HEAT SINKS, BEHIND BEZEL, 1X2, QSFP28	
0 PLC ±0.2		PRODUCT SPEC 108-19428	SIZE A200779	
1 PLC ±0.15		APPLICATION SPEC 114-32023	DRAWING NO C-2227103	
2 PLC ±0.1		WEIGHT -	RESTRICTED TO -	
3 PLC ±0.05		SCALE 4:1 SHEET 1 OF 8 REV B		
4 PLC ±0.025		Customer Drawing		
ANGLES ±1				
FINISH				
MATERIAL SEE NOTES material_2				
FINISH SEE NOTES finish_spec_2				

THIS DRAWING IS UNPUBLISHED. RELEASED FOR PUBLICATION 20
 © COPYRIGHT 20 BY - ALL RIGHTS RESERVED.

LOC	DIST	REVISIONS			
P	LTR	DESCRIPTION	DATE	DWN	APVD
-	-	SEE SHEET 1	-	-	-



SINGLE SIDE CONFIGURATION
SCALE 2:1

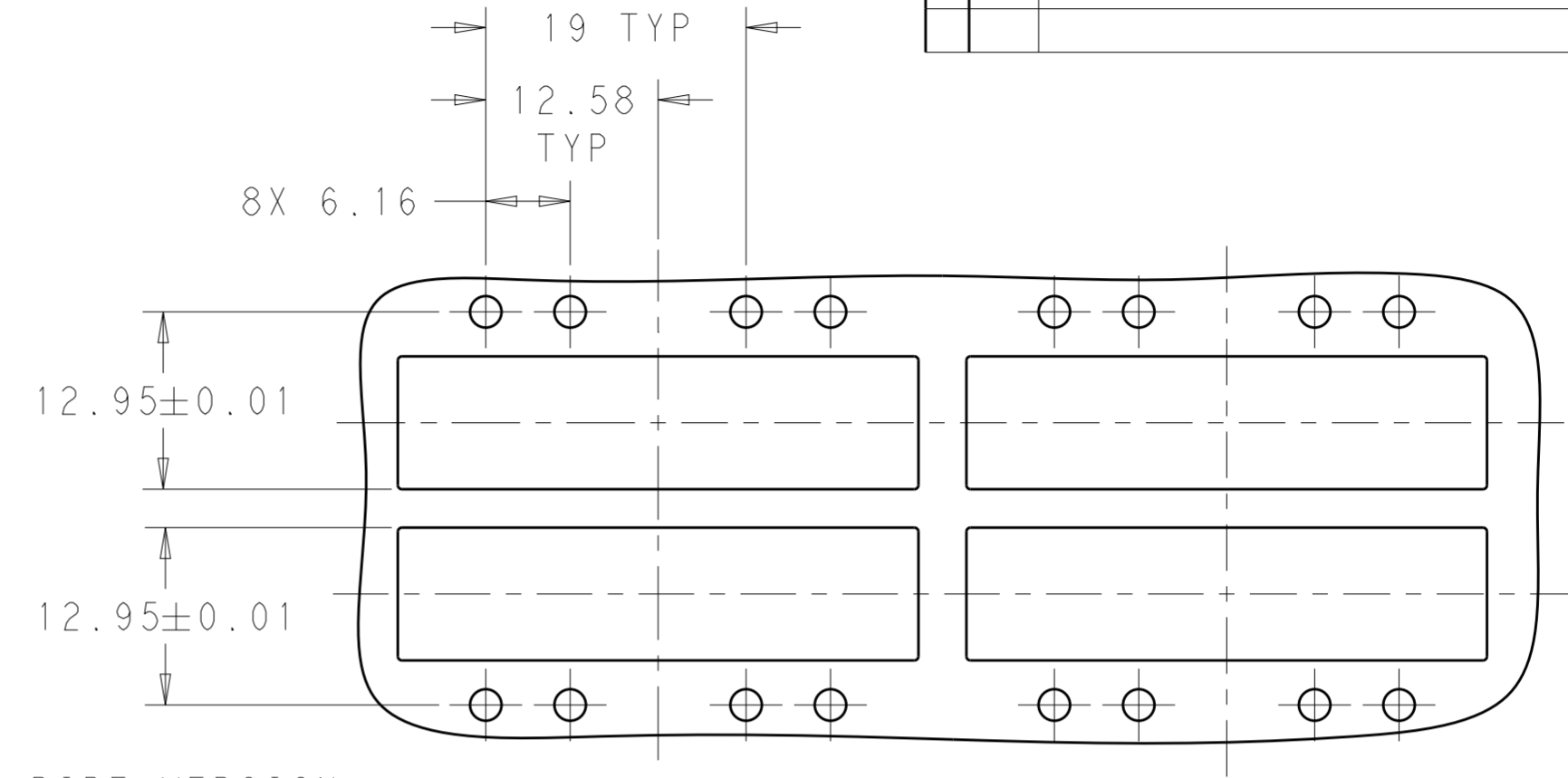
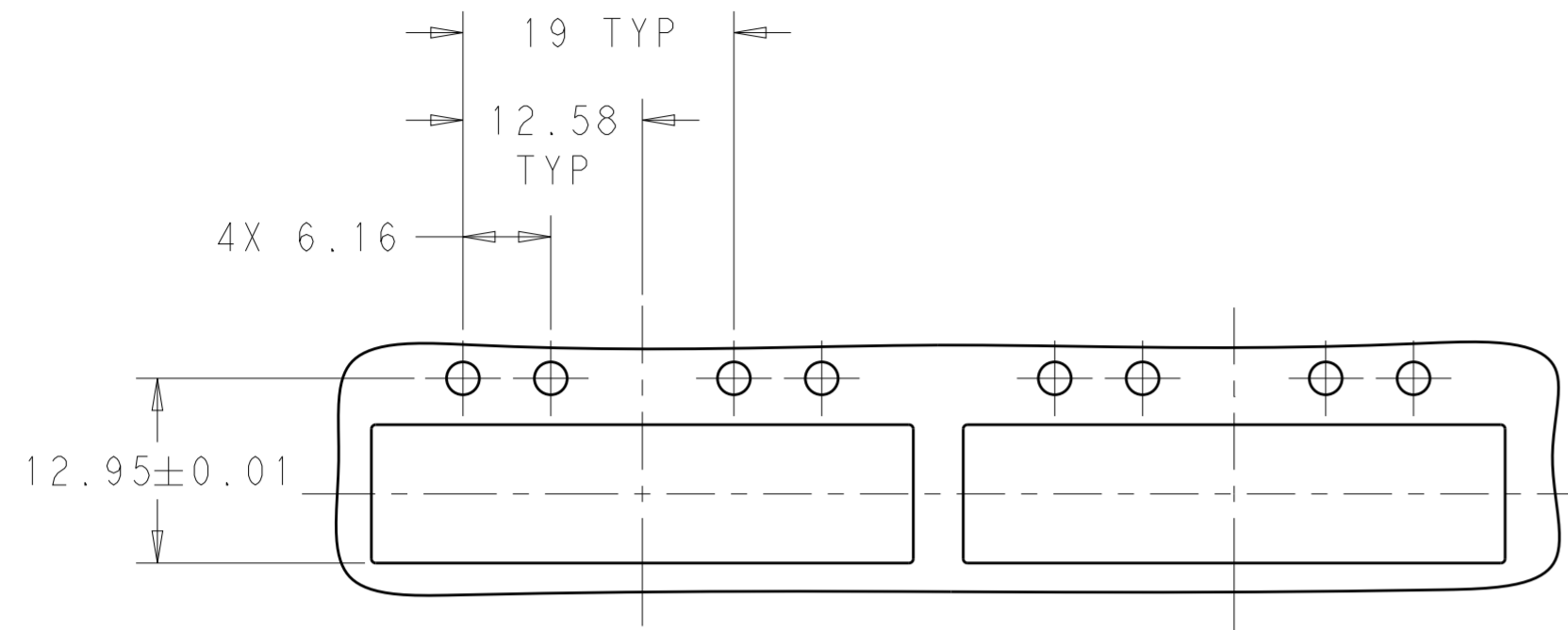


BELLY TO BELLY CONFIGURATION
SAME AS SINGLE SIDED CONFIGURATION EXCEPT AS SHOWN
SCALE 2:1

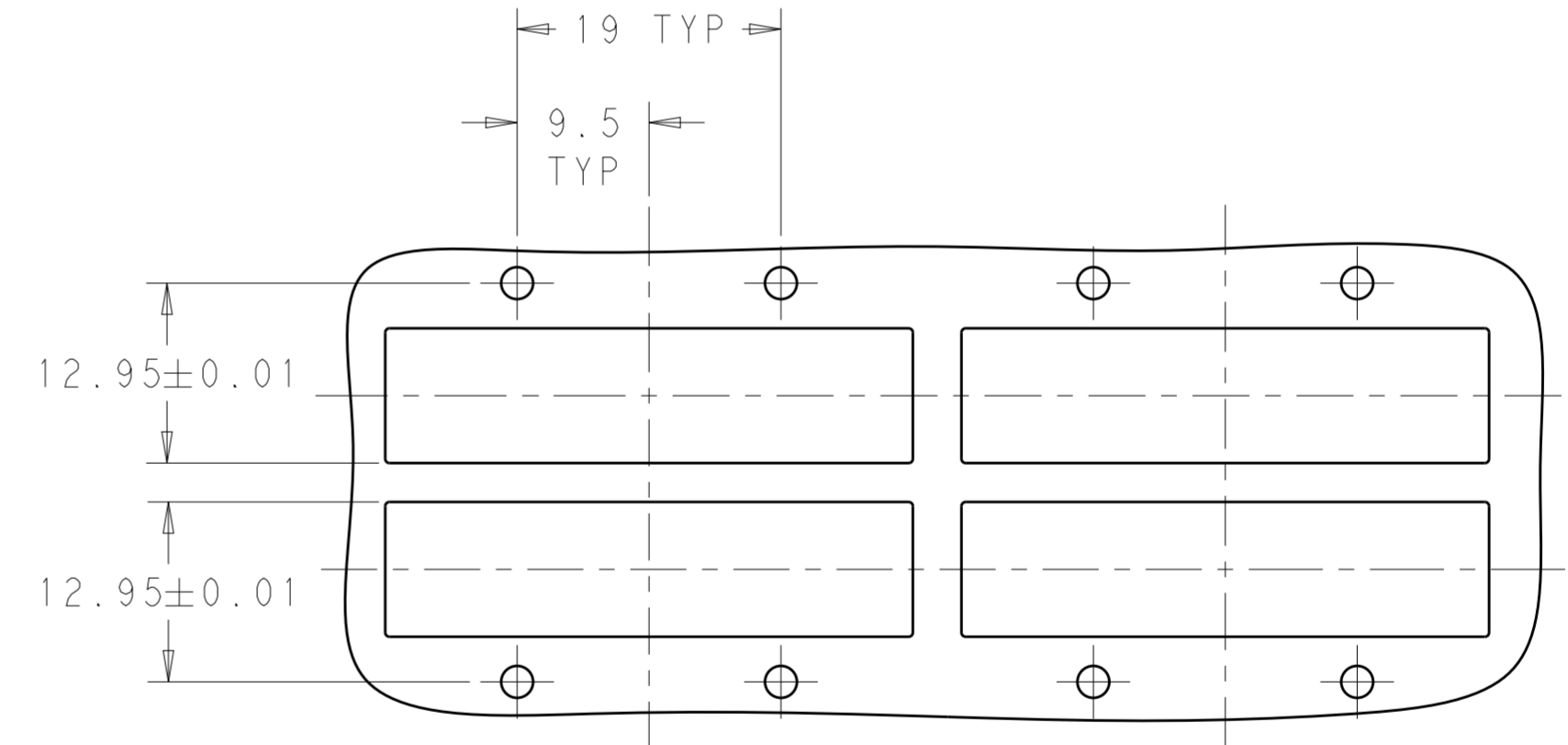
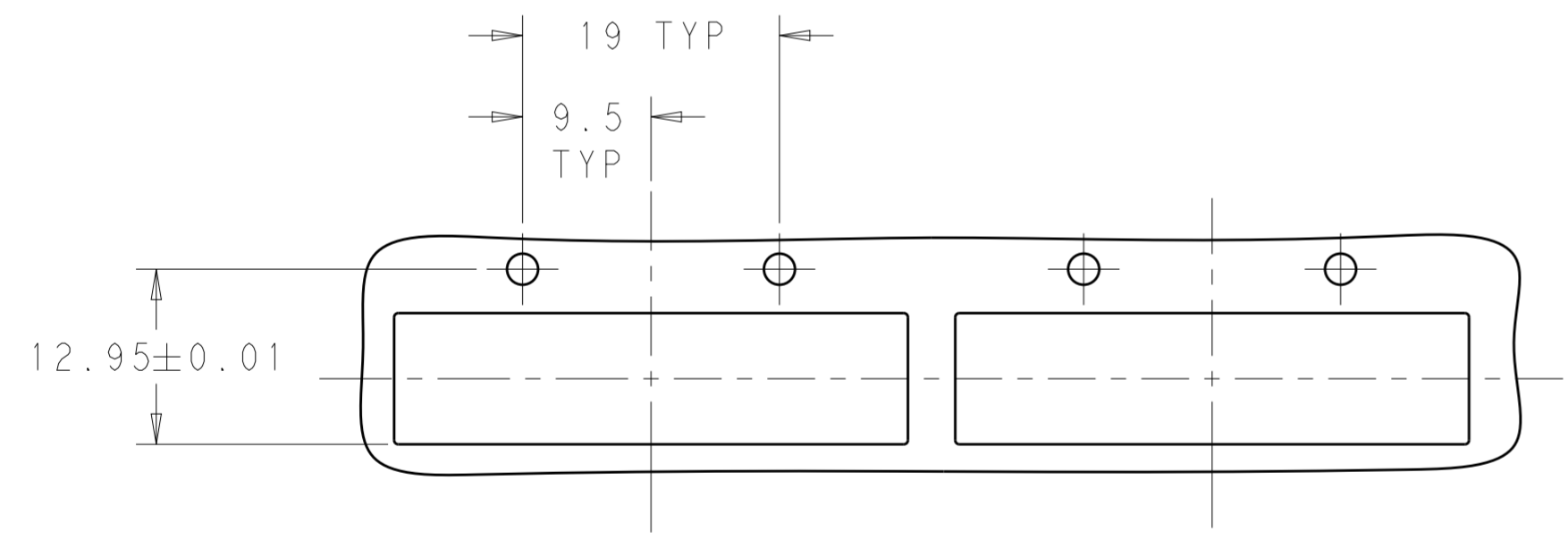
THIS DRAWING IS A CONTROLLED DOCUMENT. DIMENSIONING AND TOLERANCING PER ASME Y14.5M-2009		DWN M. E. COWHER 10AUG2012	TE Connectivity	
DIMENSIONS: mm		CHK R. R. HENRY 16AUG2012		
TOLERANCES UNLESS OTHERWISE SPECIFIED:		APVD R. R. HENRY 16AUG2012	NAME RECEPTACLE ASSEMBLY WITH HEAT SINKS, BEHIND BEZEL, 1X2, QSFP28	
0 PLC ±0.2	1 PLC ±0.15	PRODUCT SPEC 108-19428	RESTRICTED TO	
2 PLC ±0.1	3 PLC ±0.05	APPLICATION SPEC 114-32023	SIZE A200779	CAGE CODE C-2227103
4 PLC ±0.025	ANGLES ±1	WEIGHT -	DRAWING NO -	
MATERIAL SEE NOTES material_2	FINISH SEE NOTES finish_spec_2	Customer Drawing	SCALE 4:1	SHEET 1 OF 8

THIS DRAWING IS UNPUBLISHED. RELEASED FOR PUBLICATION 20
 © COPYRIGHT 20 BY - ALL RIGHTS RESERVED.


LOC	DIST	REVISIONS			
P	LTR	DESCRIPTION	DATE	DWN	APVD
-	-	SEE SHEET 1	-	-	-



BEZEL LAYOUT FOR DOUBLE LIGHT PIPE VERSION.
 ALL DIMENSIONS THE SAME AS ON SHEET 4
 EXCEPT AS SHOWN.
 SCALE 2:1

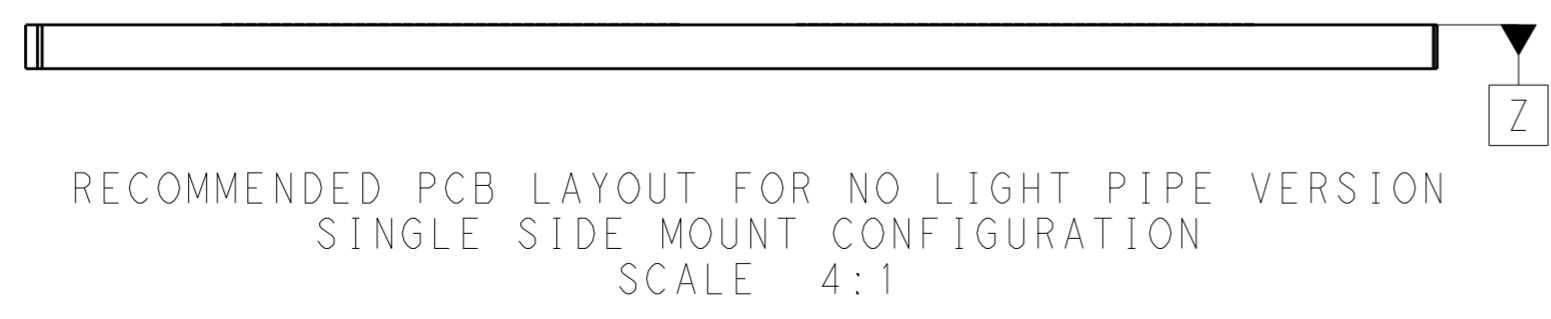
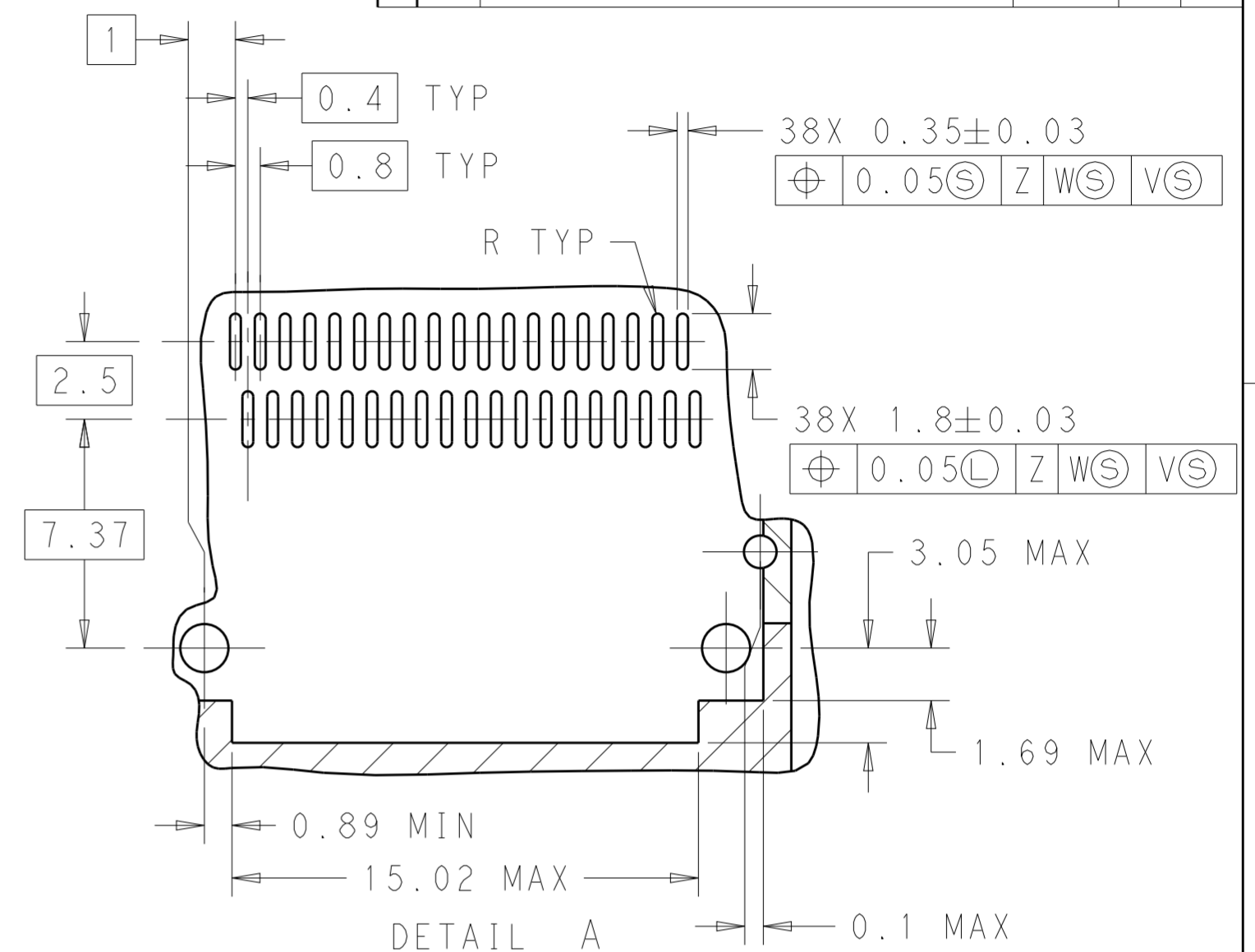
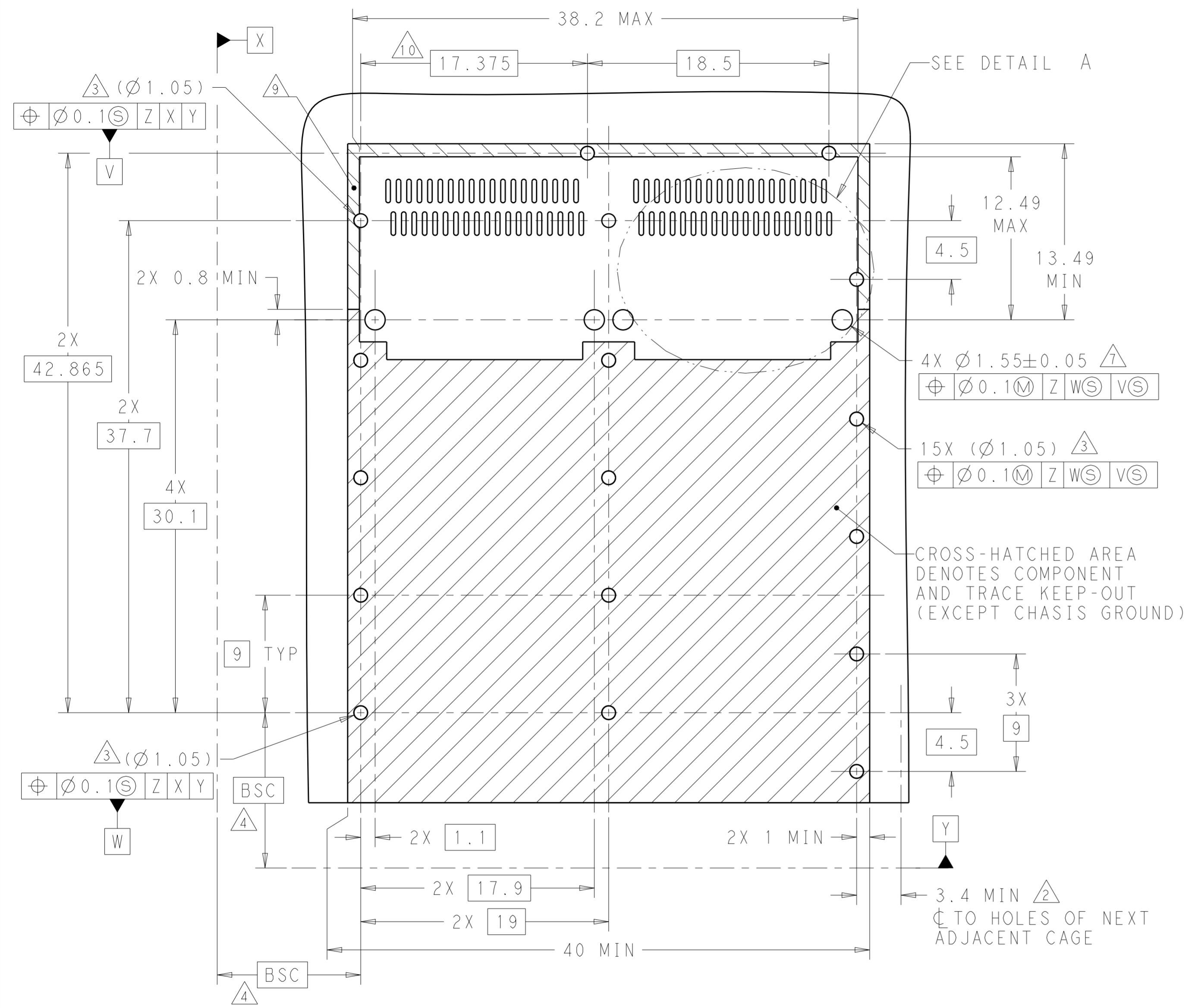


BEZEL LAYOUT FOR SINGLE LIGHT PIPE VERSION.
 ALL DIMENSIONS THE SAME AS ON SHEET 4
 EXCEPT AS SHOWN.
 SCALE 2:1

THIS DRAWING IS A CONTROLLED DOCUMENT.		DWN M. E. COWHER 10AUG2012	 TE Connectivity
DIMENSIONS: mm		CHK R. R. HENRY 16AUG2012	
TOLERANCES UNLESS OTHERWISE SPECIFIED:		APVD R. R. HENRY 16AUG2012	
0 PLC ±0.2 1 PLC ±0.15 2 PLC ±0.1 3 PLC ±0.05 4 PLC ±0.025 ANGLES ±1 FINISH SEE NOTES		PRODUCT SPEC 108-19428 APPLICATION SPEC 114-32023 WEIGHT - Customer Drawing	
MATERIAL SEE NOTES material_2		NAME RECEPTACLE ASSEMBLY WITH HEAT SINKS, BEHIND BEZEL, 1X2, QSFP28 SIZE CAGE CODE DRAWING NO RESTRICTED TO A200779 C-2227103 - SCALE 4:1 SHEET 1 OF 8 REV B	

THIS DRAWING IS UNPUBLISHED. RELEASED FOR PUBLICATION 20
 © COPYRIGHT 20 BY - ALL RIGHTS RESERVED.

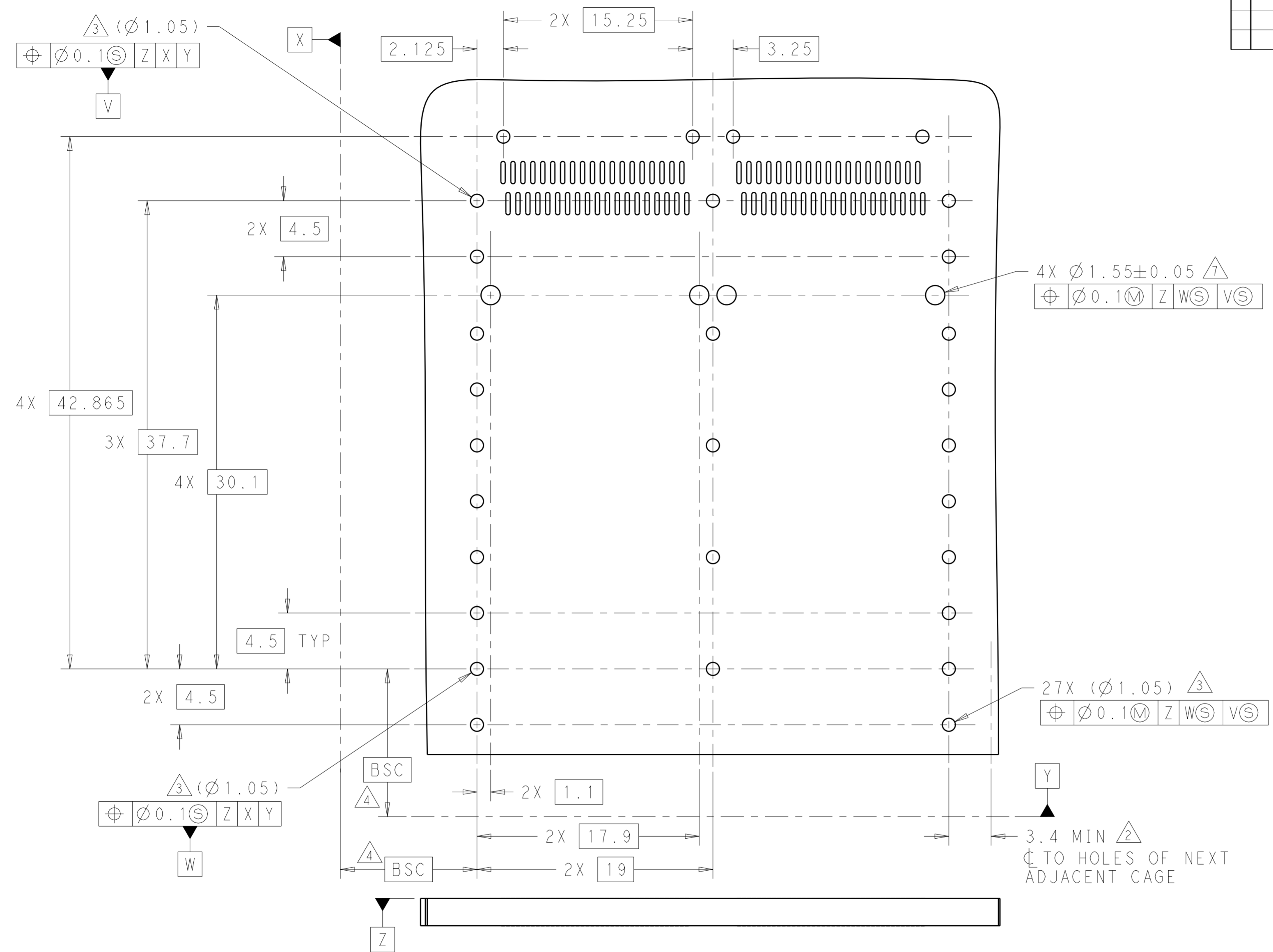
LOC		DIST		REVISIONS			
P	LTR	DESCRIPTION		DATE	DWN	APVD	
-	-	SEE SHEET 1		-	-	-	



THIS DRAWING IS A CONTROLLED DOCUMENT. DIMENSIONING AND TOLERANCING PER ASME Y14.5M-2009		DWN 10AUG2012 M.E. COWHER	TE Connectivity
DIMENSIONS: mm		CHK 16AUG2012 R.R. HENRY	
TOLERANCES UNLESS OTHERWISE SPECIFIED:		APVD 16AUG2012 R.R. HENRY	NAME RECEPTACLE ASSEMBLY WITH HEAT SINKS, BEHIND BEZEL, 1X2, QSFP28
0 PLC ±0.2	1 PLC ±0.15	PRODUCT SPEC 108-19428	SIZE CAGE CODE DRAWING NO RESTRICTED TO
2 PLC ±0.1	3 PLC ±0.05	APPLICATION SPEC 114-32023	A200779 C-2227103
4 PLC ±0.025	ANGLES ±1	WEIGHT -	SCALE 4:1 SHEET 1 OF 8 REV B
MATERIAL SEE NOTES material_2	FINISH SEE NOTES finish_spec_2	Customer Drawing	

THIS DRAWING IS UNPUBLISHED. RELEASED FOR PUBLICATION 20
 © COPYRIGHT 20 BY - ALL RIGHTS RESERVED.

LOC		DIST		REVISIONS			
P	LTR	DESCRIPTION	DATE	DWN	APVD		
-	-	SEE SHEET 1	-	-	-		

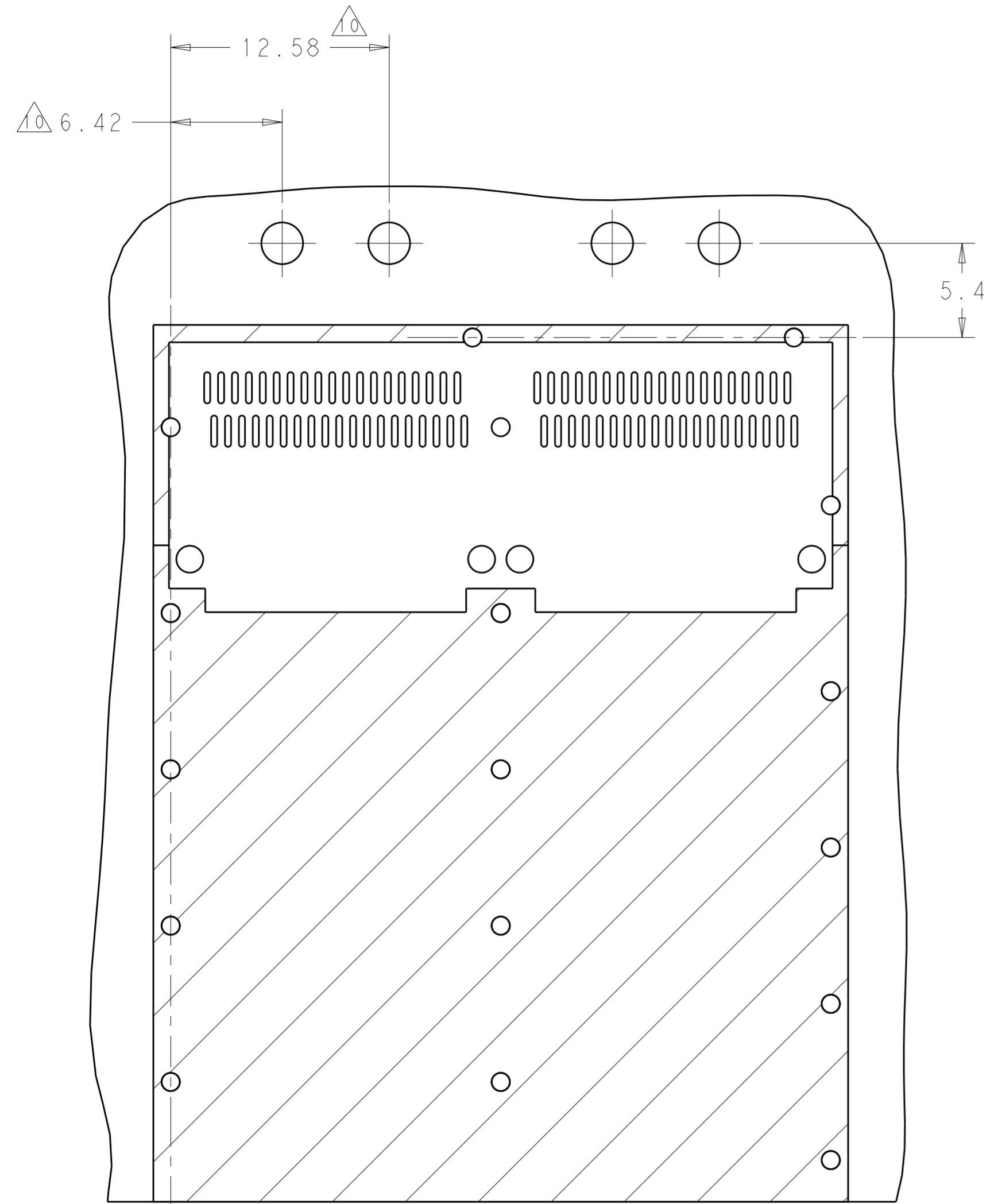


RECOMMENDED PCB LAYOUT FOR NO LIGHT PIPE VERSION
 BELLY TO BELLY CONFIGURATION,
 SEE SINGLE SIDE MOUNT CONFIGURATION
 FOR COMPONENT AND TRACE KEEP-OUT
 SCALE 4:1

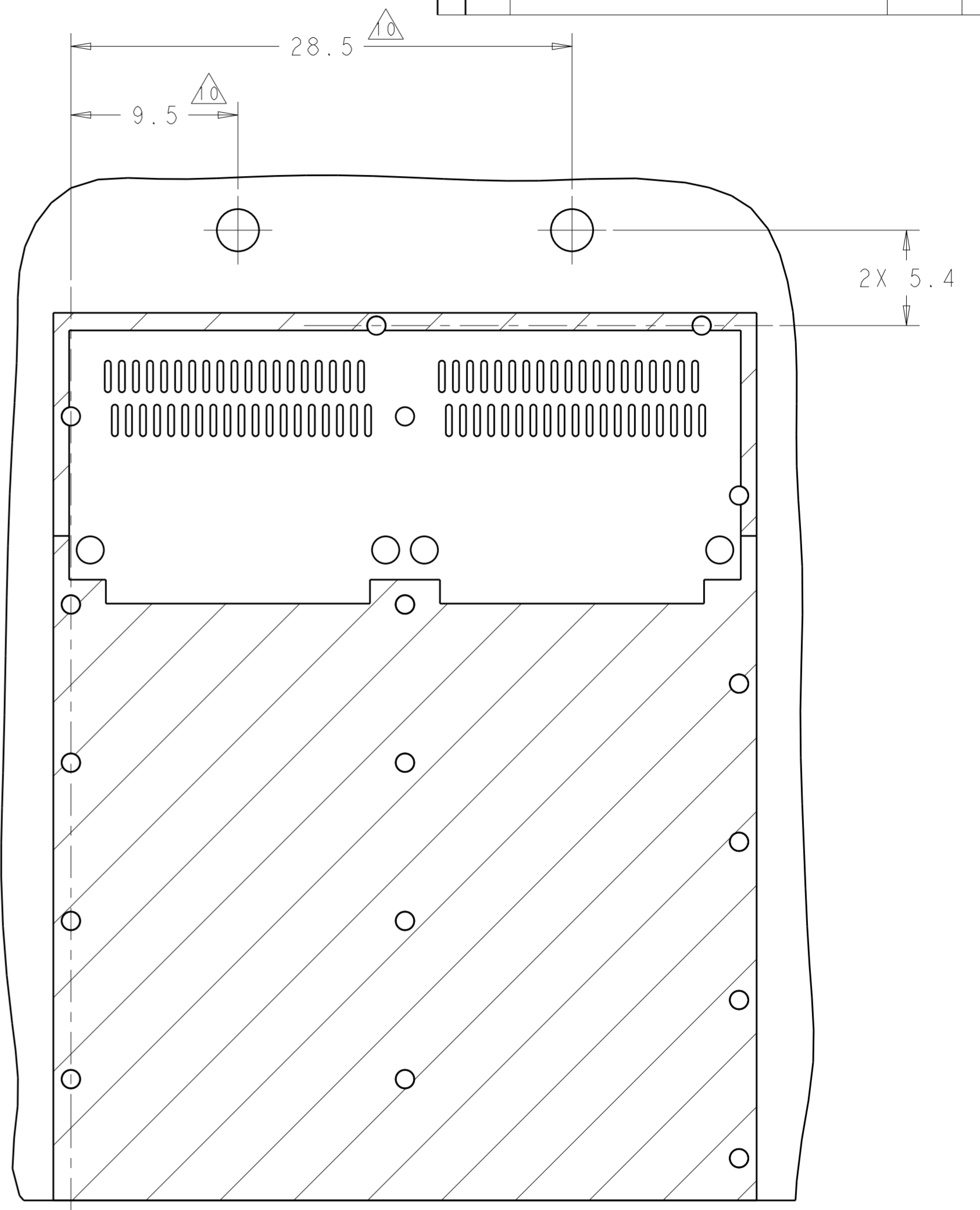
THIS DRAWING IS A CONTROLLED DOCUMENT. DIMENSIONING AND TOLERANCING PER ASME Y14.5M-2009		DWN M.E. COWHER 10AUG2012	TE Connectivity	
DIMENSIONS: mm		CHK R.R. HENRY 16AUG2012		
TOLERANCES UNLESS OTHERWISE SPECIFIED:		APVD R.R. HENRY 16AUG2012	NAME RECEPTACLE ASSEMBLY WITH HEAT SINKS, BEHIND BEZEL, 1X2, QSFP28	
0 PLC ±0.2	1 PLC ±0.15	PRODUCT SPEC 108-19428	SIZE CAGE CODE DRAWING NO RESTRICTED TO	
2 PLC ±0.1	3 PLC ±0.05	APPLICATION SPEC 114-32023	A200779 C-2227103	
4 PLC ±0.025	ANGLES ±1	WEIGHT -	SCALE 4:1 SHEET 1 OF 8 REV B	
MATERIAL SEE NOTES material_2	FINISH SEE NOTES finish_spec_2	Customer Drawing		

THIS DRAWING IS UNPUBLISHED. RELEASED FOR PUBLICATION 20
 © COPYRIGHT 20 BY - ALL RIGHTS RESERVED.


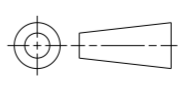
LOC	DIST	REVISIONS			
P	LTR	DESCRIPTION	DATE	DWN	APVD
-	-	SEE SHEET 1	-	-	-



RECOMMENDED PCB LAYOUT FOR DOUBLE LIGHT PIPE VERSION.
 VIEW DEPICTS LOCATION OF LEDS FOR DOUBLE LIGHT PIPES ONLY.
 APPLIES TO BOTH SINGLE SIDED AND BELLY TO BELLY APPLICATIONS.
 SCALE 4:1



RECOMMENDED PCB LAYOUT FOR SINGLE LIGHT PIPE VERSION.
 VIEW DEPICTS LOCATION OF LEDS FOR SINGLE LIGHT PIPES ONLY.
 APPLIES TO BOTH SINGLE SIDED AND BELLY TO BELLY APPLICATIONS.
 SCALE 4:1

THIS DRAWING IS A CONTROLLED DOCUMENT.		DWN M. E. COWHER 10AUG2012	 TE Connectivity
DIMENSIONS: mm		CHK R. R. HENRY 16AUG2012	
		APVD R. R. HENRY 16AUG2012	
TOLERANCES UNLESS OTHERWISE SPECIFIED:		PRODUCT SPEC	
0 PLC ±0.2 1 PLC ±0.15 2 PLC ±0.1 3 PLC ±0.05 4 PLC ±0.025 ANGLES ±1		108-19428	NAME RECEPTACLE ASSEMBLY WITH HEAT SINKS, BEHIND BEZEL, 1X2, QSFP28
MATERIAL SEE NOTES material_2	FINISH SEE NOTES finish_spec_2	APPLICATION SPEC 114-32023	SIZE A200779
Customer Drawing		WEIGHT -	DRAWING NO C-2227103
		RESTRICTED TO -	SCALE 4:1 SHEET 1 OF 8 REV B

X-ON Electronics

Largest Supplier of Electrical and Electronic Components

Click to view similar products for [I/O Connectors](#) category:

Click to view products by [TE Connectivity](#) manufacturer:

Other Similar products are found below :

[571763P](#) [72.250.1628.2](#) [72.250.2428.2](#) [74720-0505](#) [76.350.0729.0](#) [76871-1403](#) [FCN-244F080-G/1](#) [FCN-260A9920](#) [MP-5T180MUNNA-005](#)
[PCR-E36PM](#) [PCS-XE26MA+](#) [G38A71314B](#) [1571250010](#) [157-22500-3](#) [MS3471L14-19P L/C](#) [91-569786-35H](#) [172501-4002](#) [172501-6002](#)
[FCN-260C008-A/L0](#) [FCN-260C024-AL0](#) [FCN-261Z008](#) [2000314-1](#) [200331-1](#) [PCR-E36FC+](#) [PCS-E28FS+](#) [PCS-XE26SLFD+](#) [PCS-](#)
[XE26SLFDT+](#) [G730VID08BDC24](#) [HDMR-29-01-S-SM-TR](#) [U90B2054081210](#) [UE86K842720321](#) [38113800006](#) [DP3AR020WQ1R200](#)
[Z4.102.0680.0](#) [500-1040](#) [500-1052](#) [500-1054](#) [ZP-4008-66L](#) [0709821002](#) [10-565995-597N](#) [DX40-20P\(55\)](#) [5554841-1](#) [U90B3054061110](#)
[U65-E04-4020](#) [ZPF00000000097891](#) [557-262M2-06C](#) [747360449](#) [10099439-003C-TRLF](#) [10137239-0021LF](#) [E9320-001-01](#)