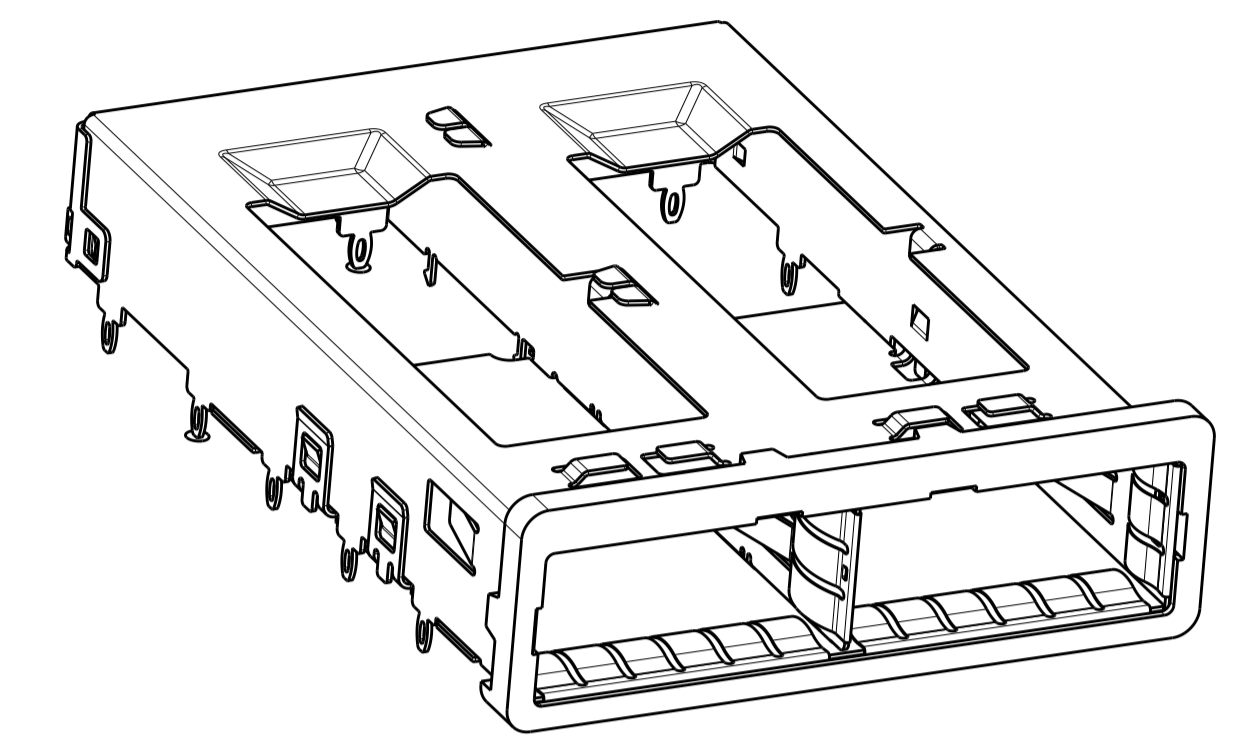
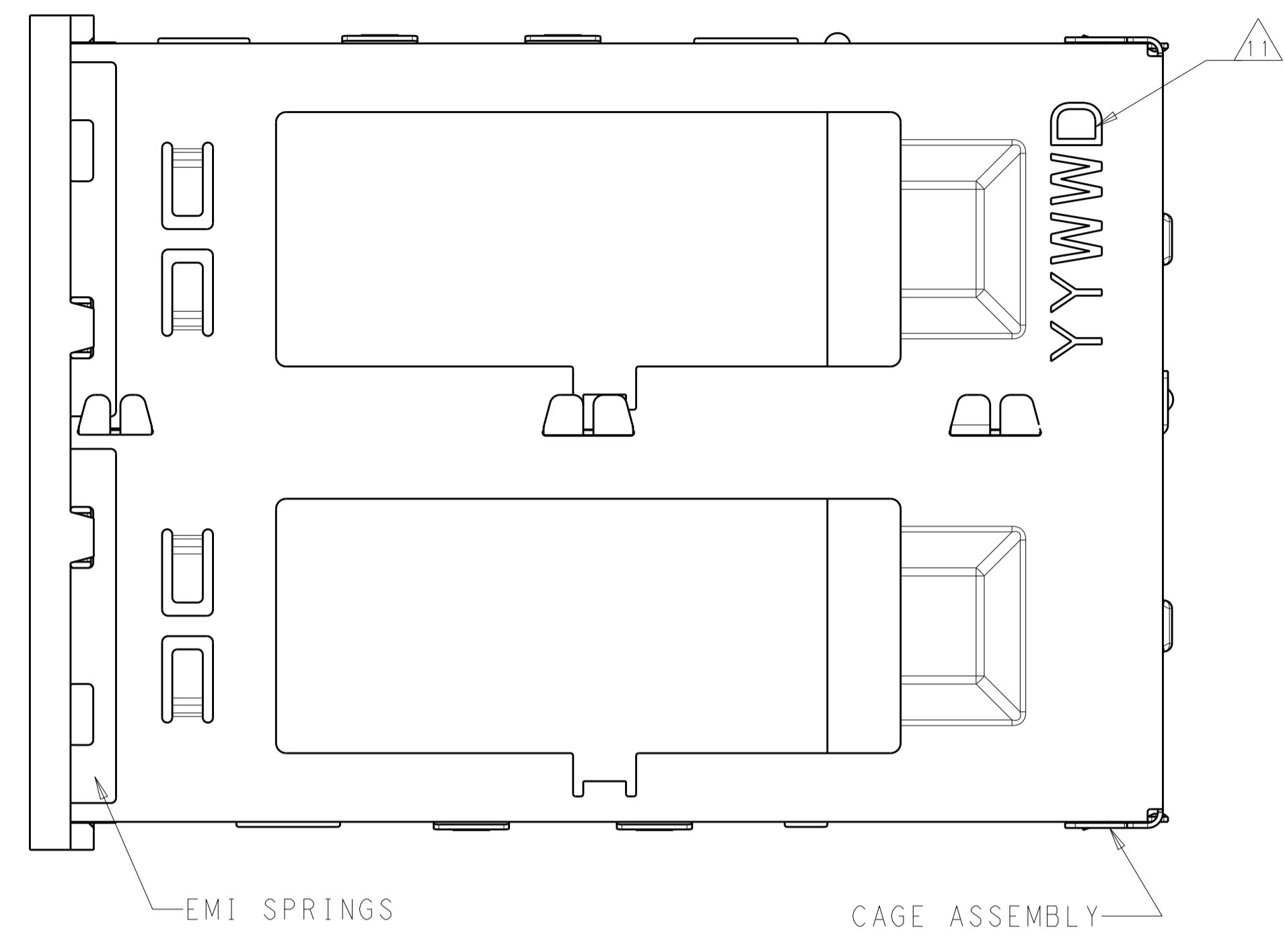
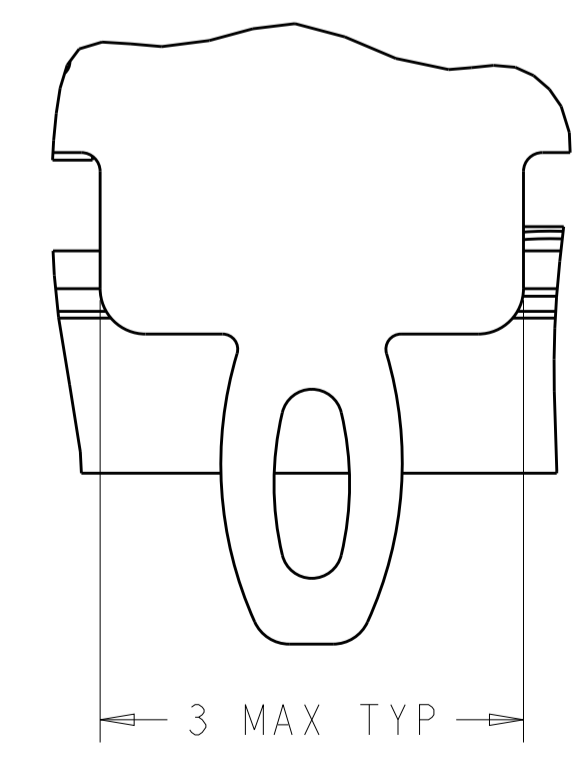
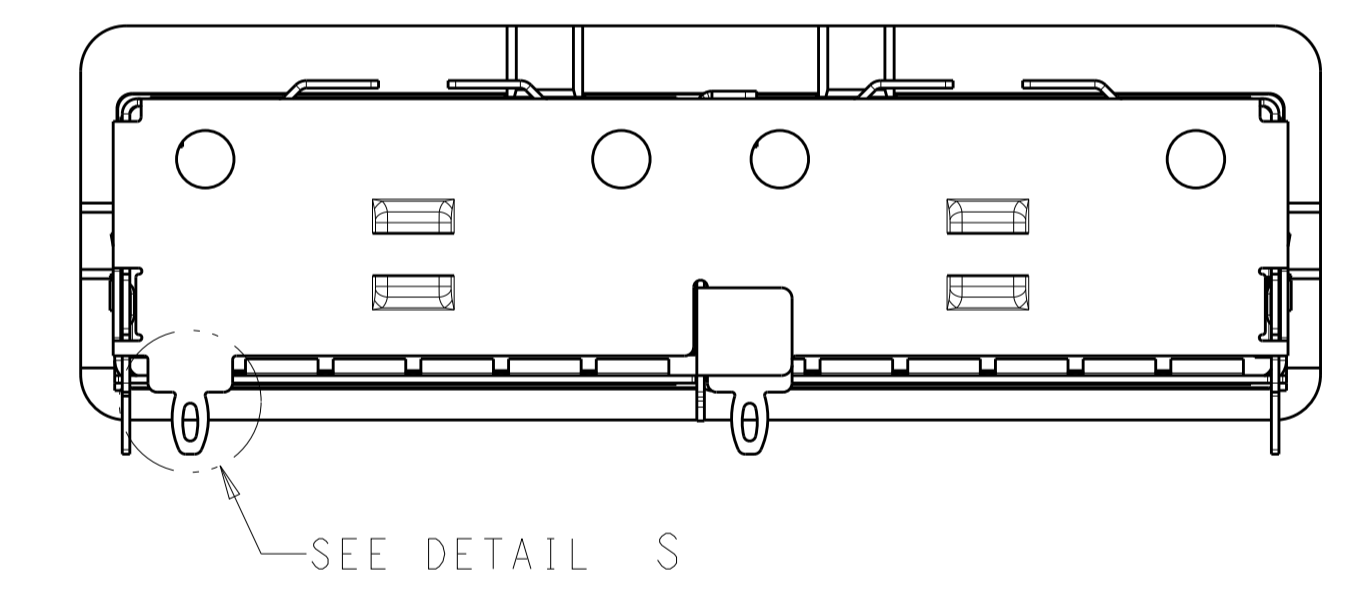
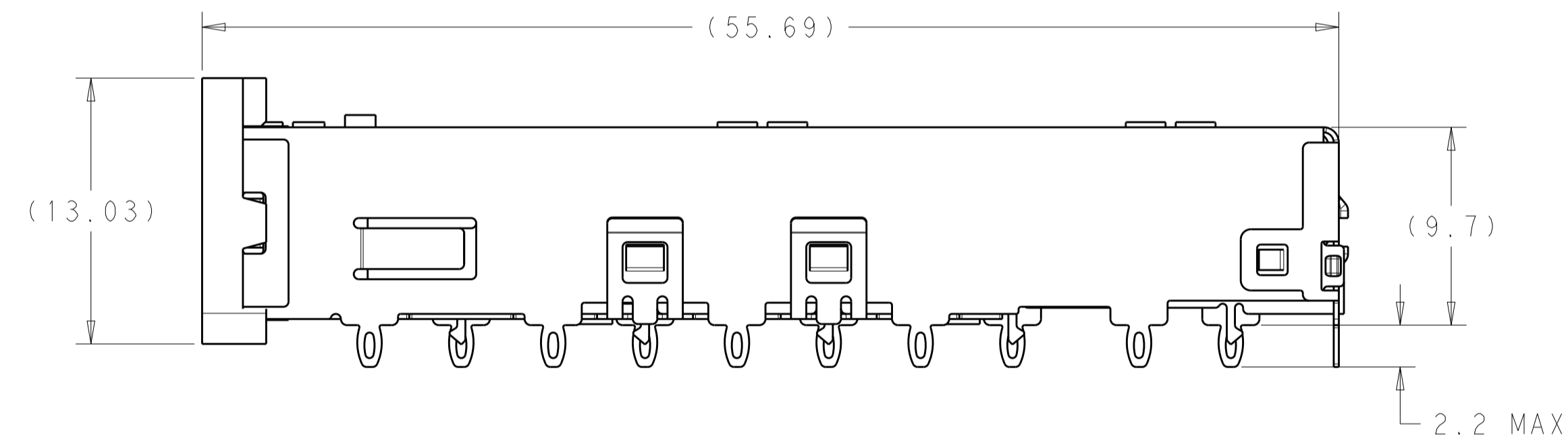
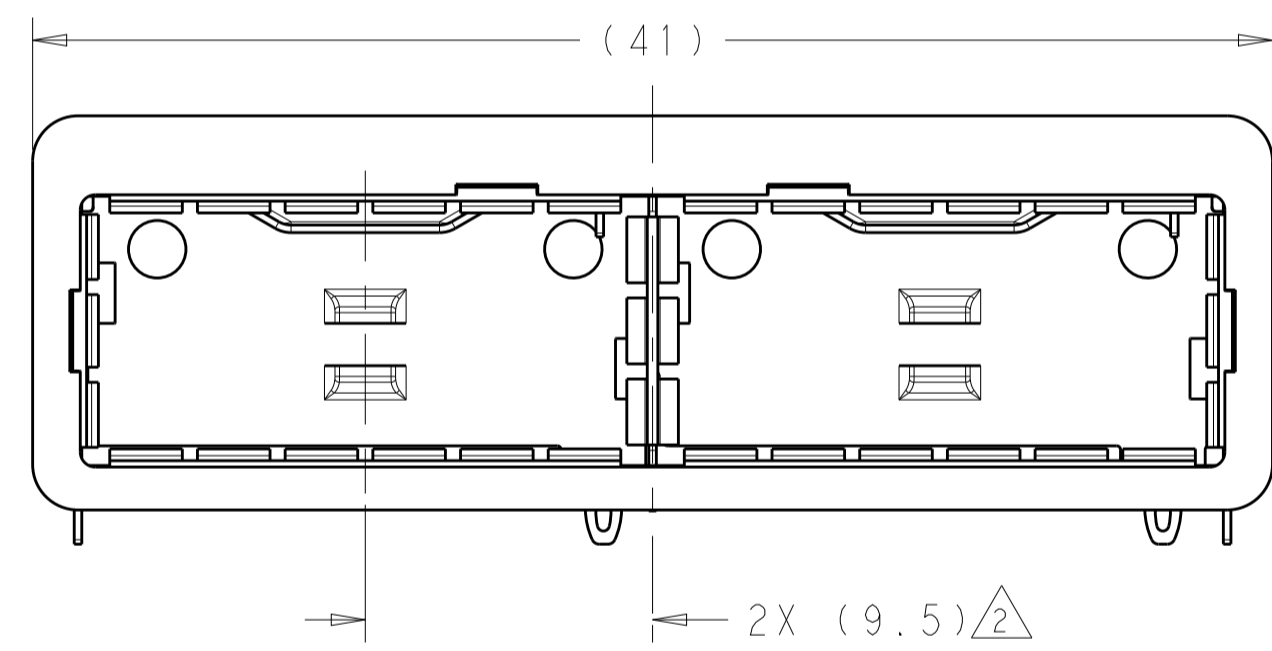


LOC	DIST	REVISIONS					
GP	00	P	LTN	DESCRIPTION	DATE	DMN	APVD
		A		RELEASED ECO-14-003627	11APR2014	LAW	EB
		B		REVISED PER ECO-15-012666	07DEC2015	JY	SH
		C		REVISED PER ECO-16-002221	18FEB2016	KQ	SH
		D		REVISED PER ECO-18-013545	27AUG2018	JY	SH

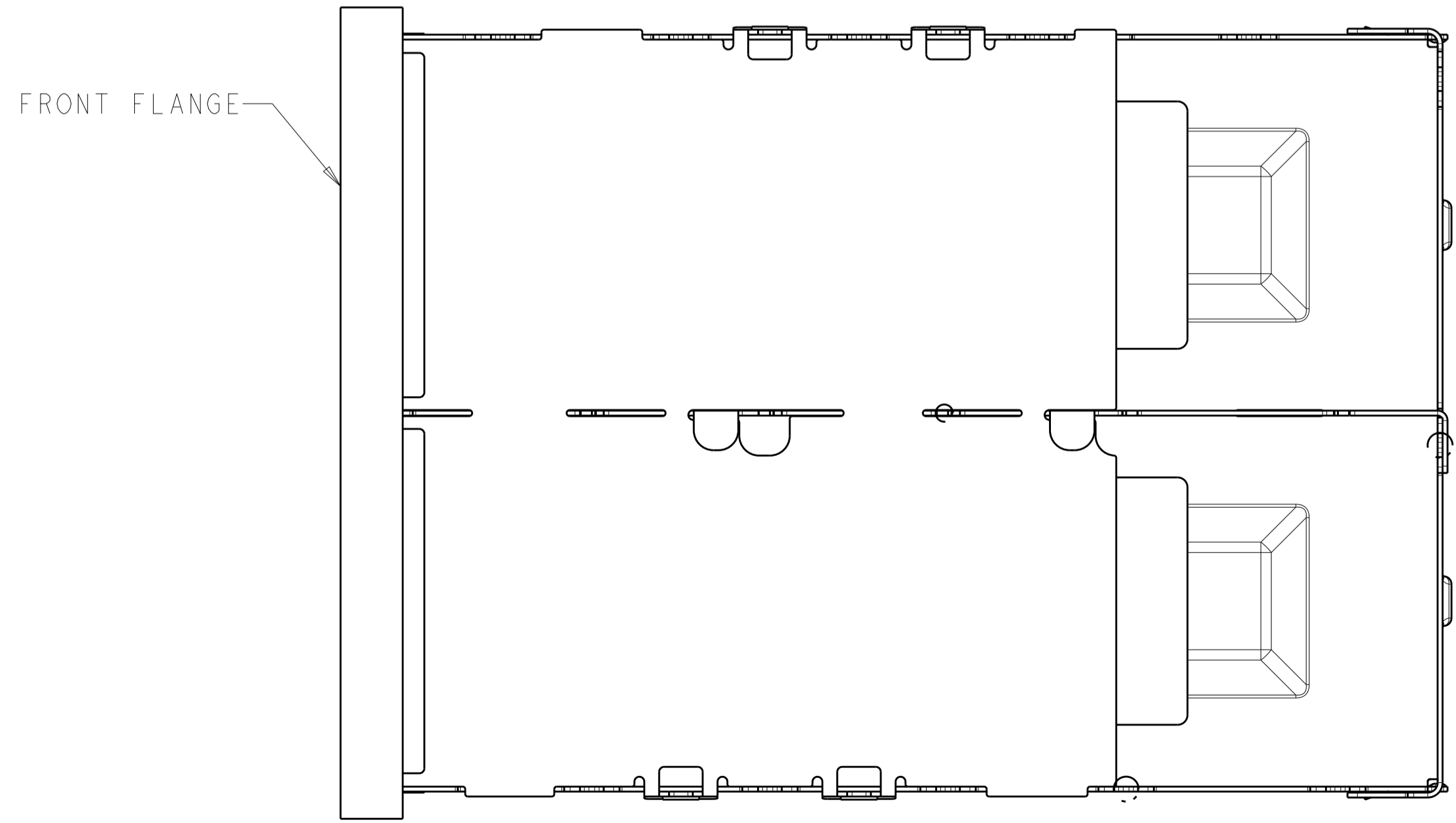
- △ SURFACE TRACES PERMITTED WITHIN THIS AREA EXCEPT WHERE CAGE STANDOFFS, SHOWN IN DETAIL S, CONTACT PC BOARD.
- △ PITCH BETWEEN PORTS OF ONE 1X2 CAGE ASSEMBLY.
- △ SPACING BETWEEN CAGES ON THE SAME PC BOARD, TO BE SPECIFIED BY CUSTOMER, MUST COMPLY WITH MINIMUM DIMENSIONS SHOWN.
- △ REFERENCE APPLICATION SPEC 114-XXXX FOR RECOMMENDED DRILL HOLE DIAMETER AND PLATING THICKNESS.
- △ UNPLATED THRU HOLE.
- △ DATUMS AND BASIC DIMENSIONS ESTABLISHED BY CUSTOMER.
- △ DATUM A IS TOP SURFACE OF PC BOARD.
- △ DIMENSION C IS THE NOMINAL THICKNESS OF CUSTOMER SUPPLIED PC BOARD.
- △ MINIMUM PC BOARD THICKNESS:  
 SINGLE SIDED = 1.45mm  
 DOUBLE SIDED = 2.2mm
- △ MATES WITH QSPF MSA COMPATIBLE TRANSCEIVER.
- △ BASELINE FOR THESE DIMENSIONS IS THE CENTER OF COMPLIANT PIN HOLE.
- △ DATE CODE (YYWWD) MARKED APPROXIMATELY AS SHOWN.
- △ REFERENCE APP SPEC 114-XXXX FOR GASKET THICKNESS CALCULATION.
- △ MATERIAL:  
 CAGE ASSEMBLY: NICKEL SILVER, 0.25 THICK  
 EMI SPRINGS: COPPER ALLOY  
 FRONT FLANGE: ZINC ALLOY
- △ FINISH:  
 EMI SPRINGS: 2µm MINIMUM TIN  
 FRONT FLANGE: 3µm MINIMUM TIN OVER 1.27µm MINIMUM NICKEL OVER 5.08µm MINIMUM COPPER.  
 OR 1.27µm MINIMUM NICKEL OVER 5.08µm MINIMUM COPPER.



2227104-1 AS SHOWN  
 ISOMETRIC VIEW  
 SCALE 5:2



DETAIL S  
 SCALE 20:1

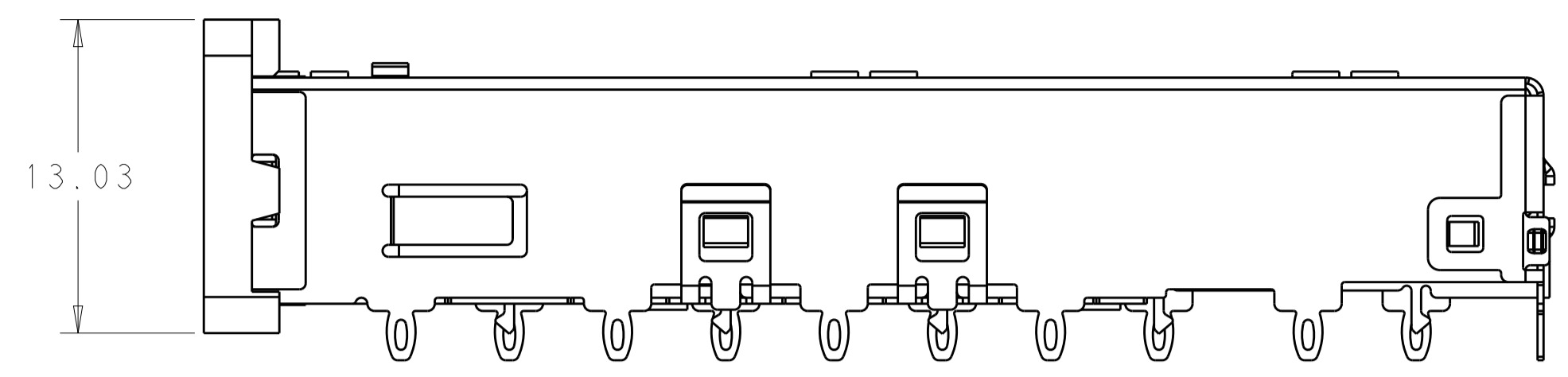


2227104-9
2227104-7
2227104-5
2227104-1
PART NUMBER

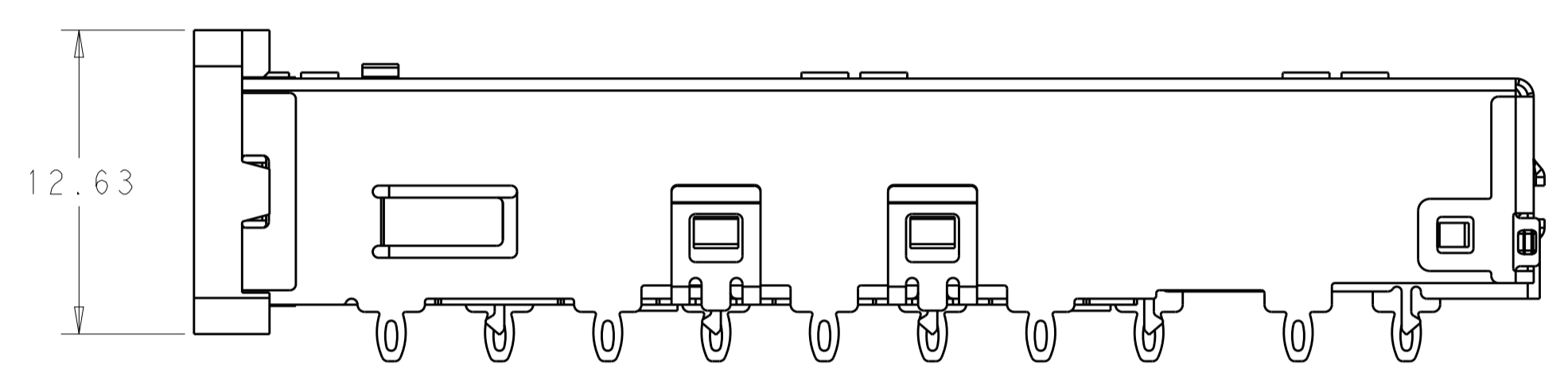
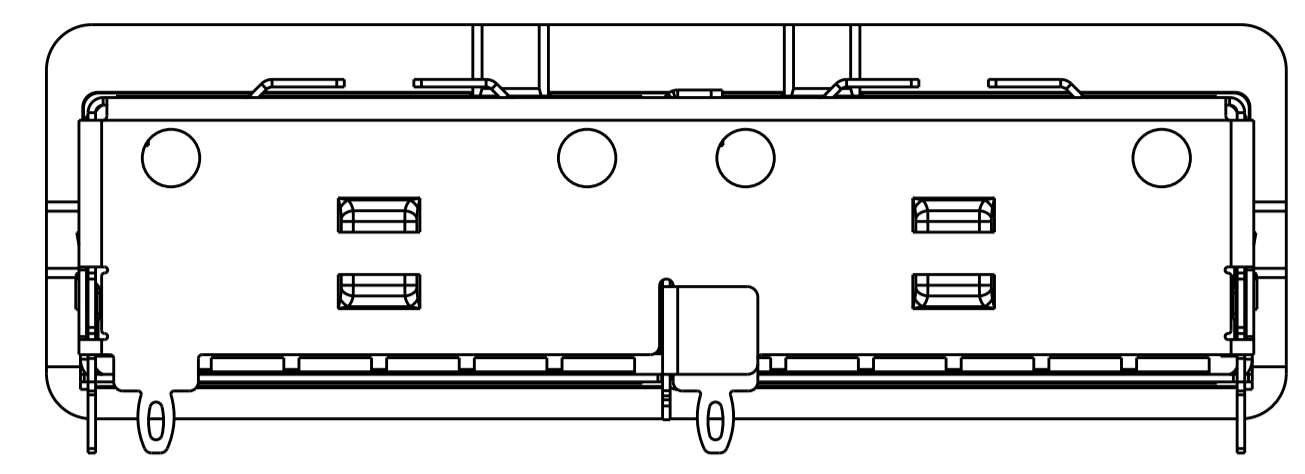
THIS DRAWING IS A CONTROLLED DOCUMENT. DIMENSIONING AND TOLERANCING PER ASME Y14.5M-2009.		DMN C. VALENTINE 22FEB2013	TE Connectivity
DIMENSIONS: mm		CHK E. BRIANT 22FEB2013	
TOLERANCES UNLESS OTHERWISE SPECIFIED:		APVD E. BRIANT 22FEB2013	NAME 1X2 CAGE ASSEMBLY, BEHIND BEZEL, QSPF28
0 PLC ±0.5	1 PLC ±0.13	PRODUCT SPEC 108-19428	SIZE CAGE CODE DRAWING NO
2 PLC ±0.13	3 PLC ±0.013	APPLICATION SPEC 114-32023	A100779C=2227104
4 PLC ±0.001	ANGLES ±0.0001	WEIGHT	RESTRICTED TO
MATERIAL	FINISH	Customer Drawing	SCALE 4:1 SHEET 1 OF 5 REV D

THIS DRAWING IS UNPUBLISHED. RELEASED FOR PUBLICATION 20  
 © COPYRIGHT 20 BY - ALL RIGHTS RESERVED.

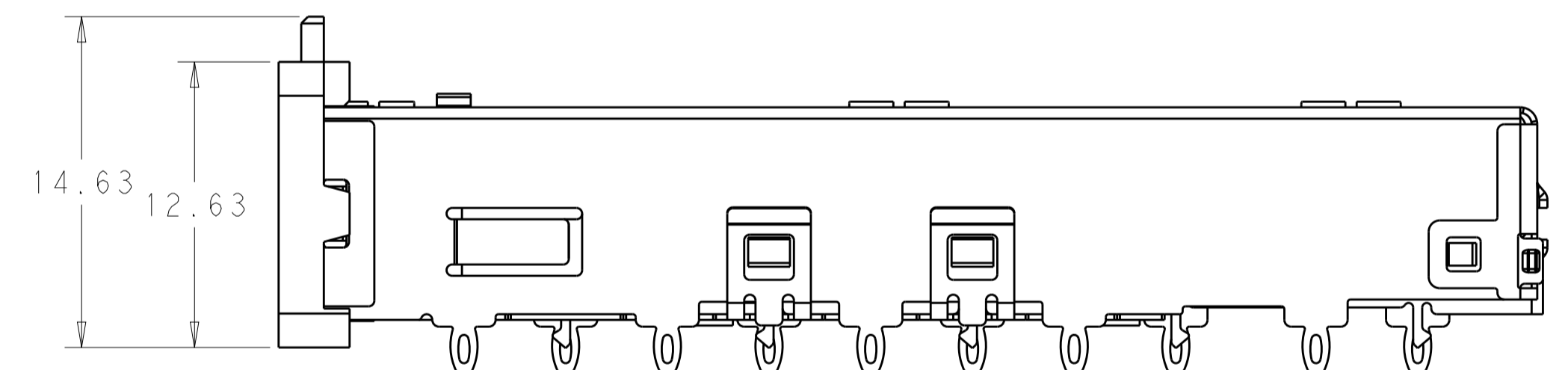
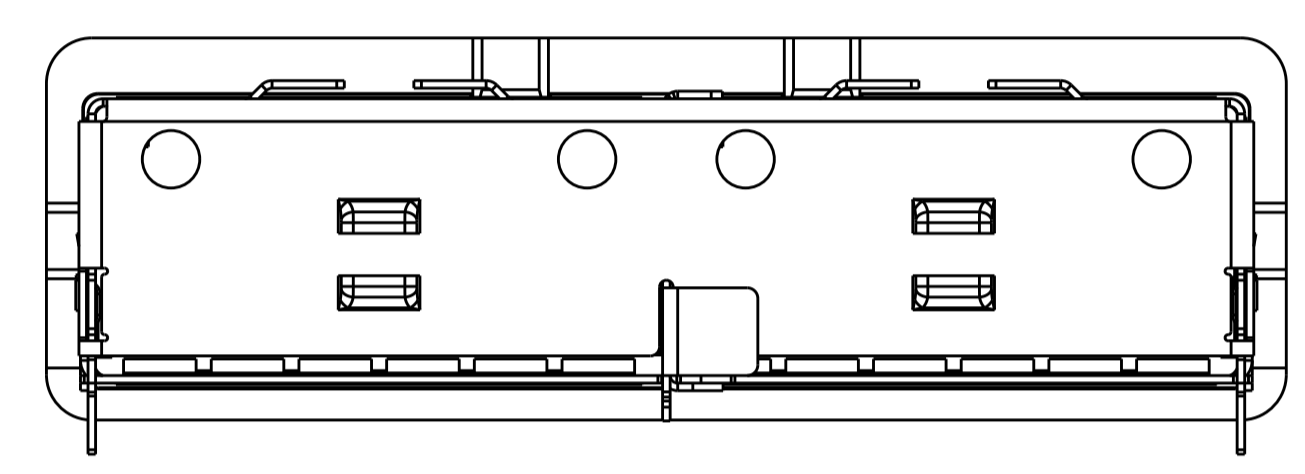
LOC		DIST		REVISIONS			
P.	LTN	DESCRIPTION	DATE	DWN	APVD		



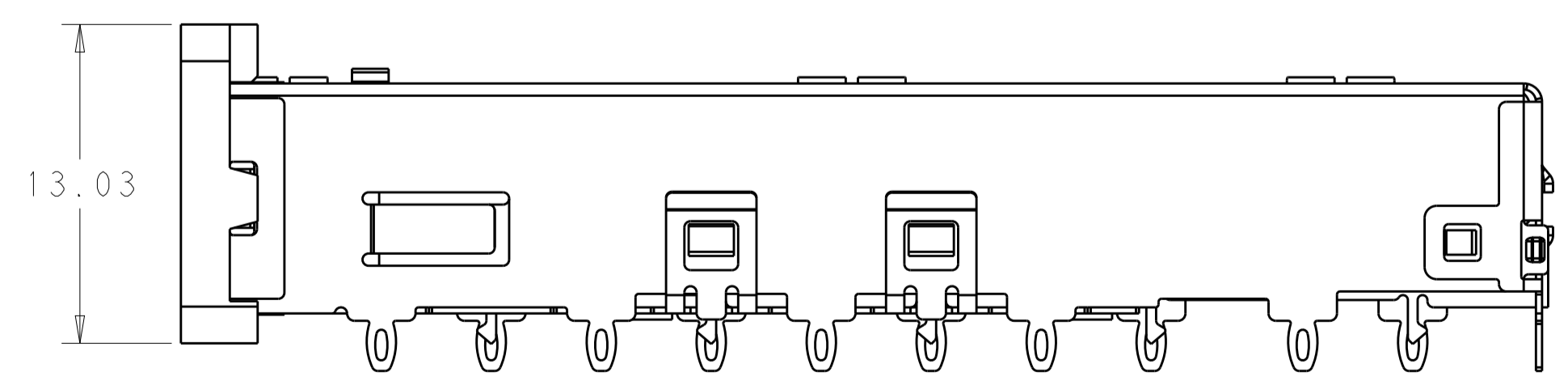
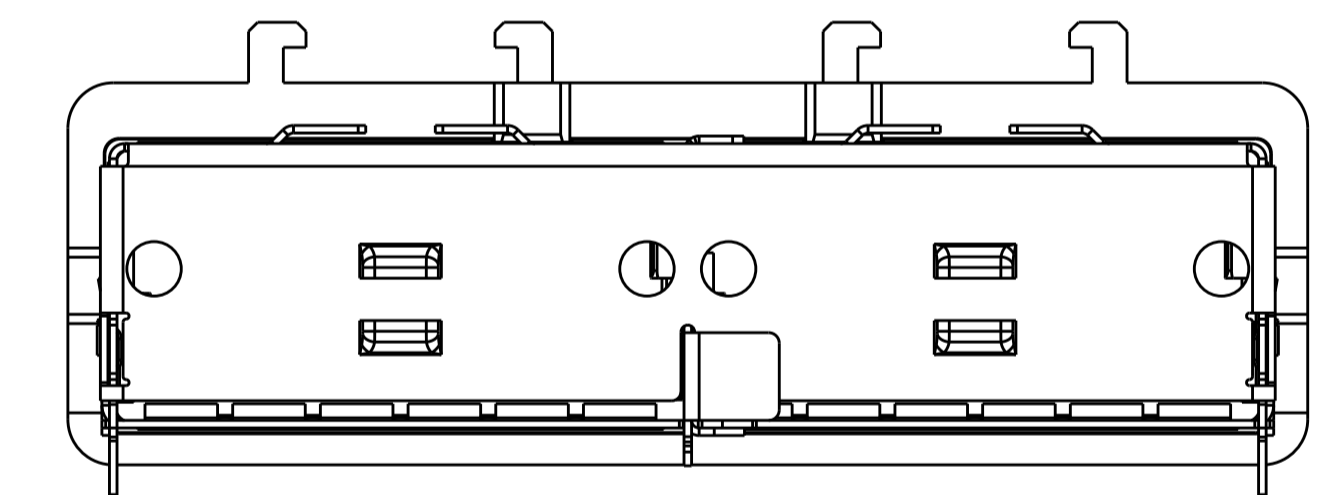
2227104-1  
SCALE 4:1



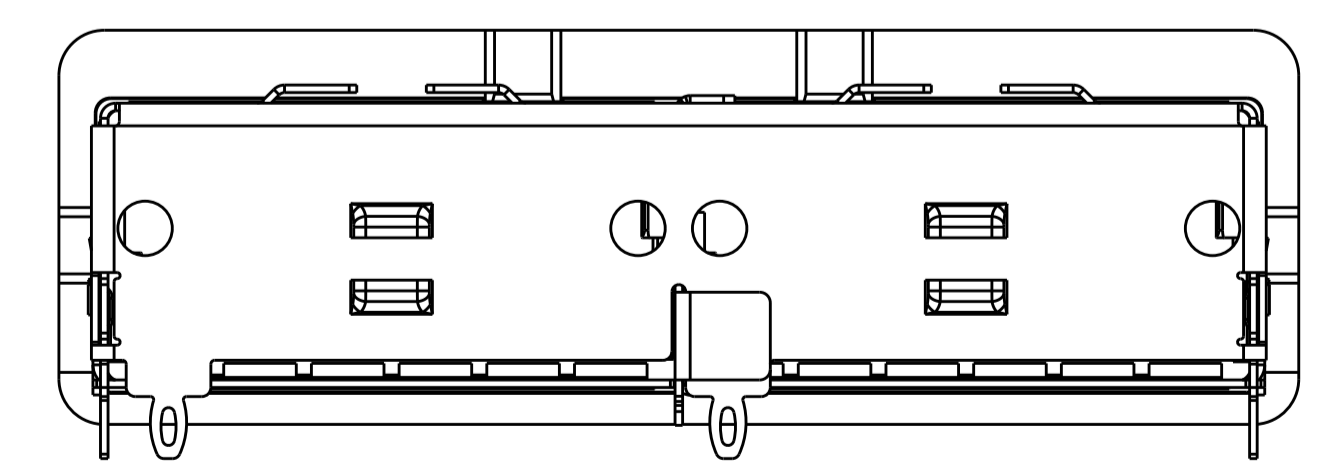
2227104-5  
SCALE 4:1



2227104-7  
SCALE 4:1

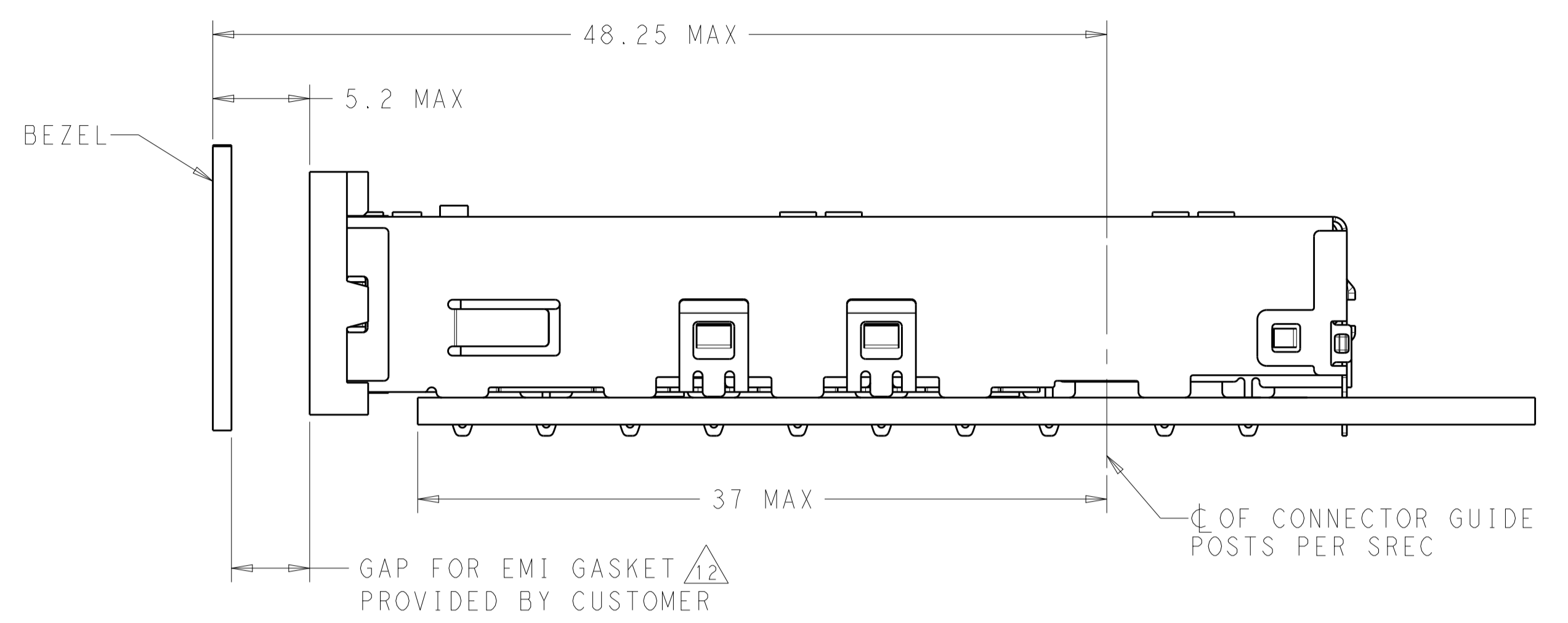
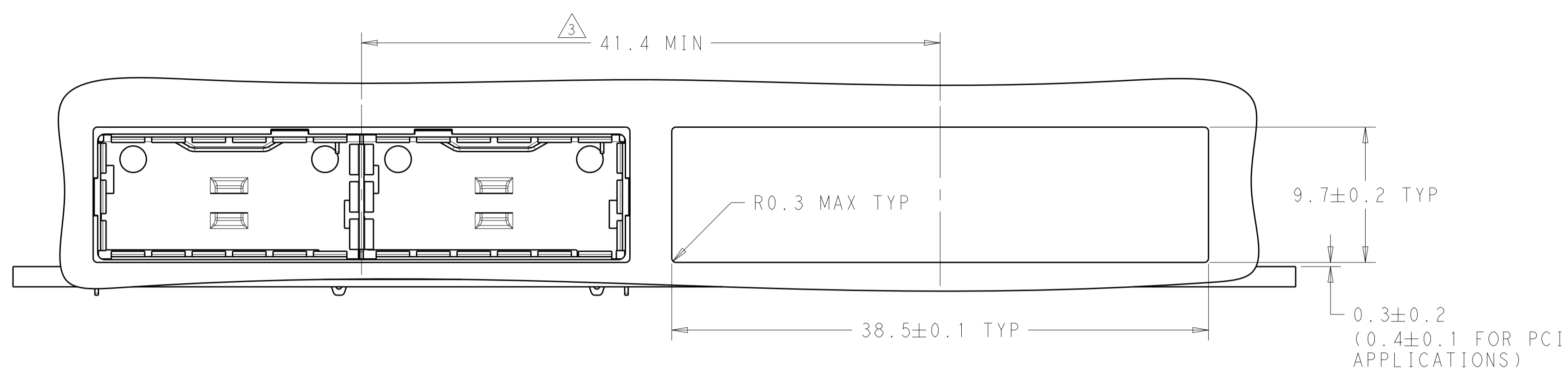


2227104-9  
SCALE 4:1

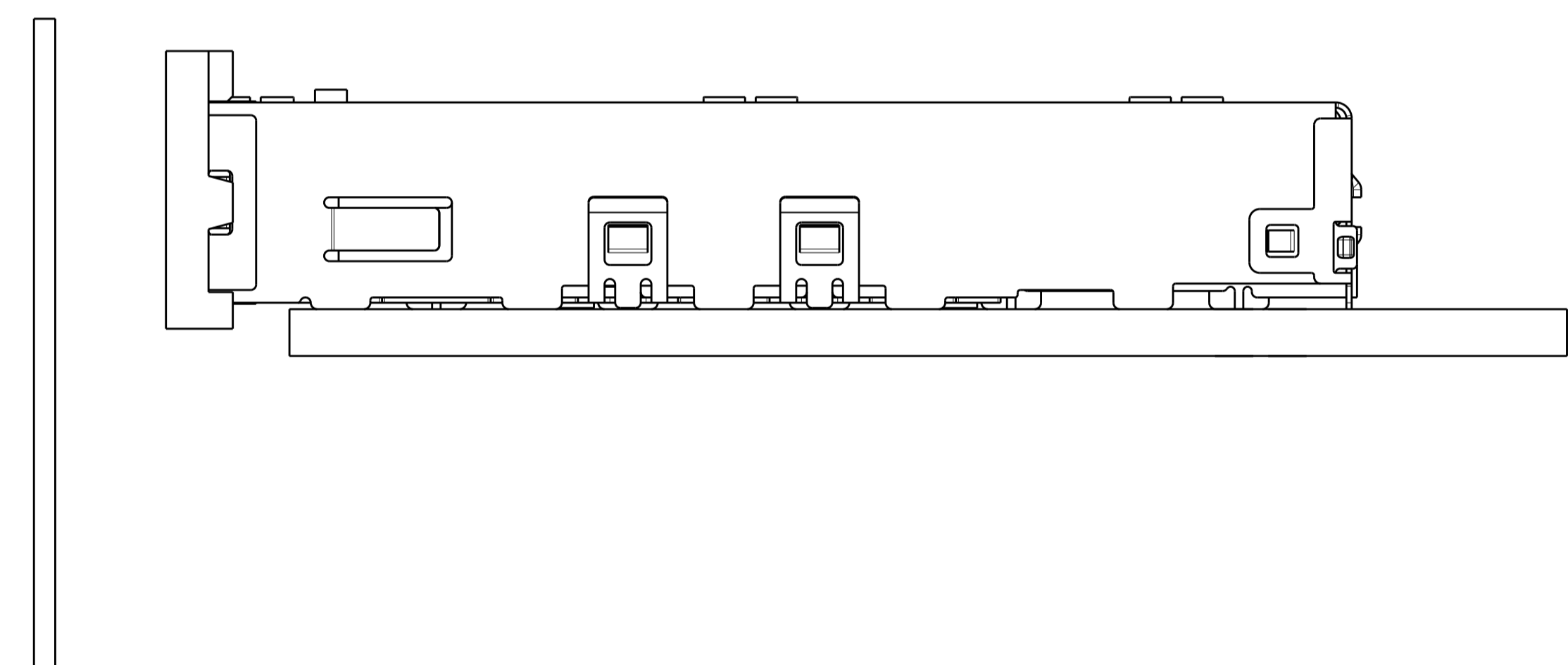
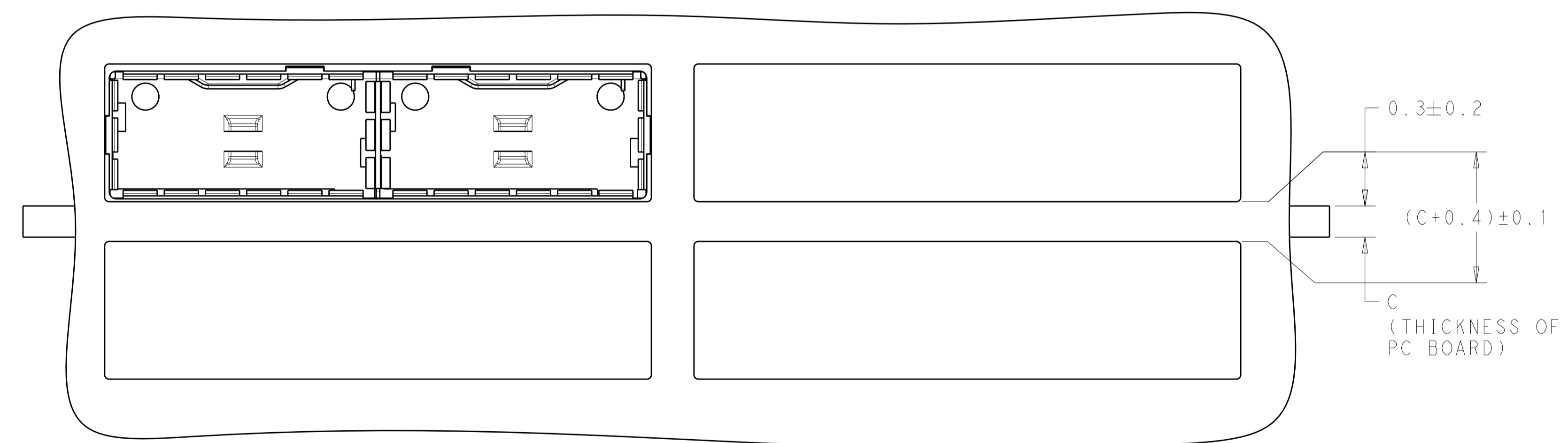


THIS DRAWING IS A CONTROLLED DOCUMENT. DIMENSIONING AND TOLERANCING PER ASME Y14.5M-2009		DWN C. VALENTINE 22FEB2013	TE Connectivity
DIMENSIONS: mm		CHK E. BRIANT 22FEB2013	
TOLERANCES UNLESS OTHERWISE SPECIFIED:		APVD E. BRIANT 22FEB2013	NAME 1X2 CAGE ASSEMBLY, BEHIND BEZEL, QSPF28
0 PLC ±	1 PLC ±0.5	PRODUCT SPEC	SIZE CAGE CODE DRAWING NO
2 PLC ±0.13	3 PLC ±0.013	APPLICATION SPEC	A100779C=2227104
4 PLC ±0.0001	ANGLES ±	114-32023	RESTRICTED TO
MATERIAL	FINISH	WEIGHT	Customer Drawing
		SCALE 4:1	SHEET 2 OF 5
		REV D	

LOC	DIST	REV	DATE	BY	APPD
		1			
		2			
		3			
		4			
		5			



ONE-SIDED CONFIGURATION



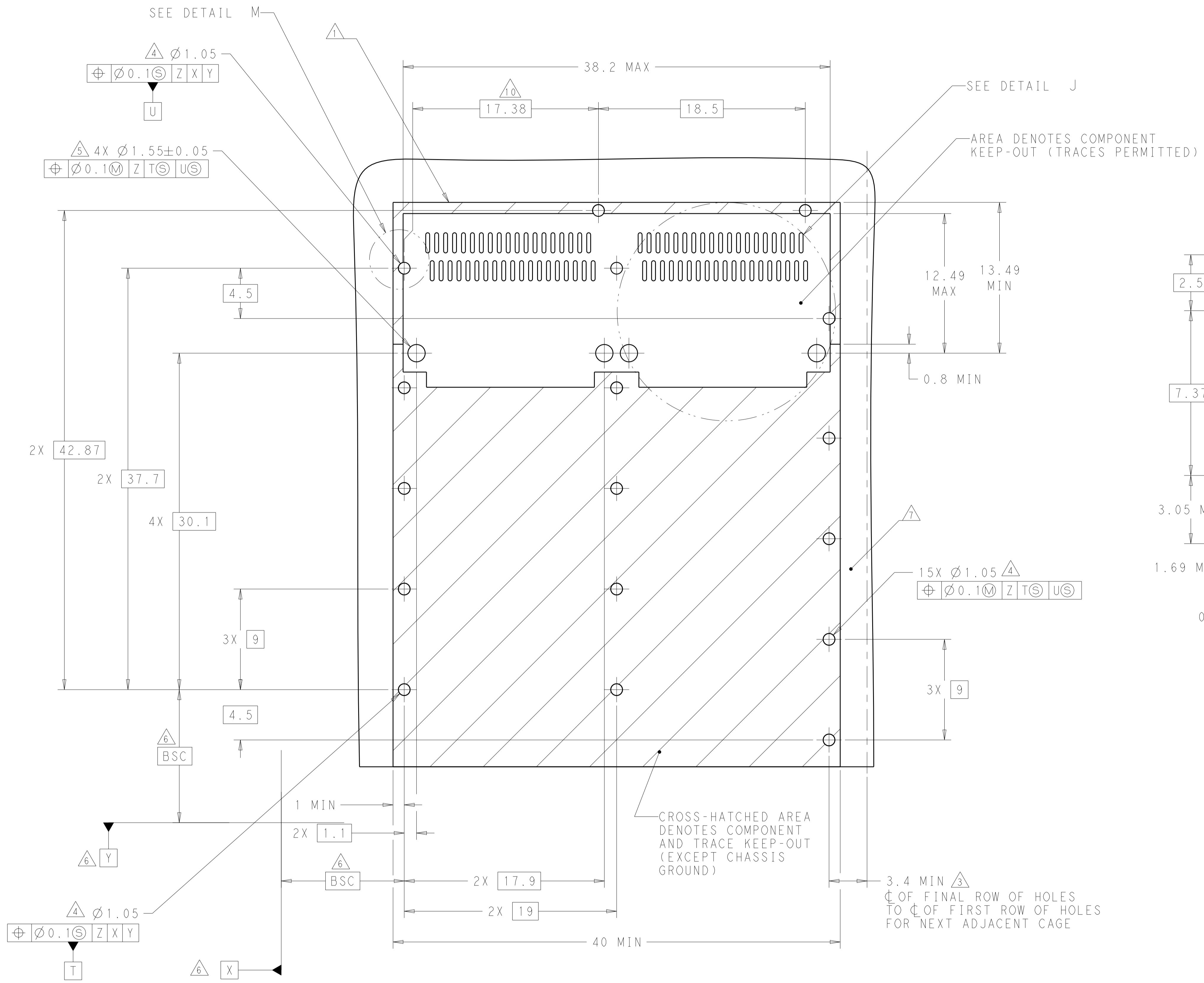
BELLY TO BELLY CONFIGURATION SIMILAR TO ONE SIDED EXCEPT WHERE NOTED

THIS DRAWING IS A CONTROLLED DOCUMENT. DIMENSIONING AND TOLERANCING PER ASME Y14.5M-2009		DWN: C. VALENTINE 22FEB2013 CHK: E. BRIANT 22FEB2013 APPD: E. BRIANT 22FEB2013	<b>STE</b> TE Connectivity
DIMENSIONS: mm TOLERANCES UNLESS OTHERWISE SPECIFIED: 0 PLC ±0.5 1 PLC ±0.13 2 PLC ±0.13 3 PLC ±0.013 4 PLC ±0.001 ANGLES ±0.0001		NAME: 1X2 CAGE ASSEMBLY, BEHIND BEZEL, QSFP28 PRODUCT SPEC: 108-19428 APPLICATION SPEC: 114-32023 WEIGHT: -	SIZE: A1 CAGE CODE: 00779 DRAWING NO: C=2227104 RESTRICTED TO: -
MATERIAL: -		Customer Drawing	SCALE: 4:1 SHEET 3 OF 5 REV D

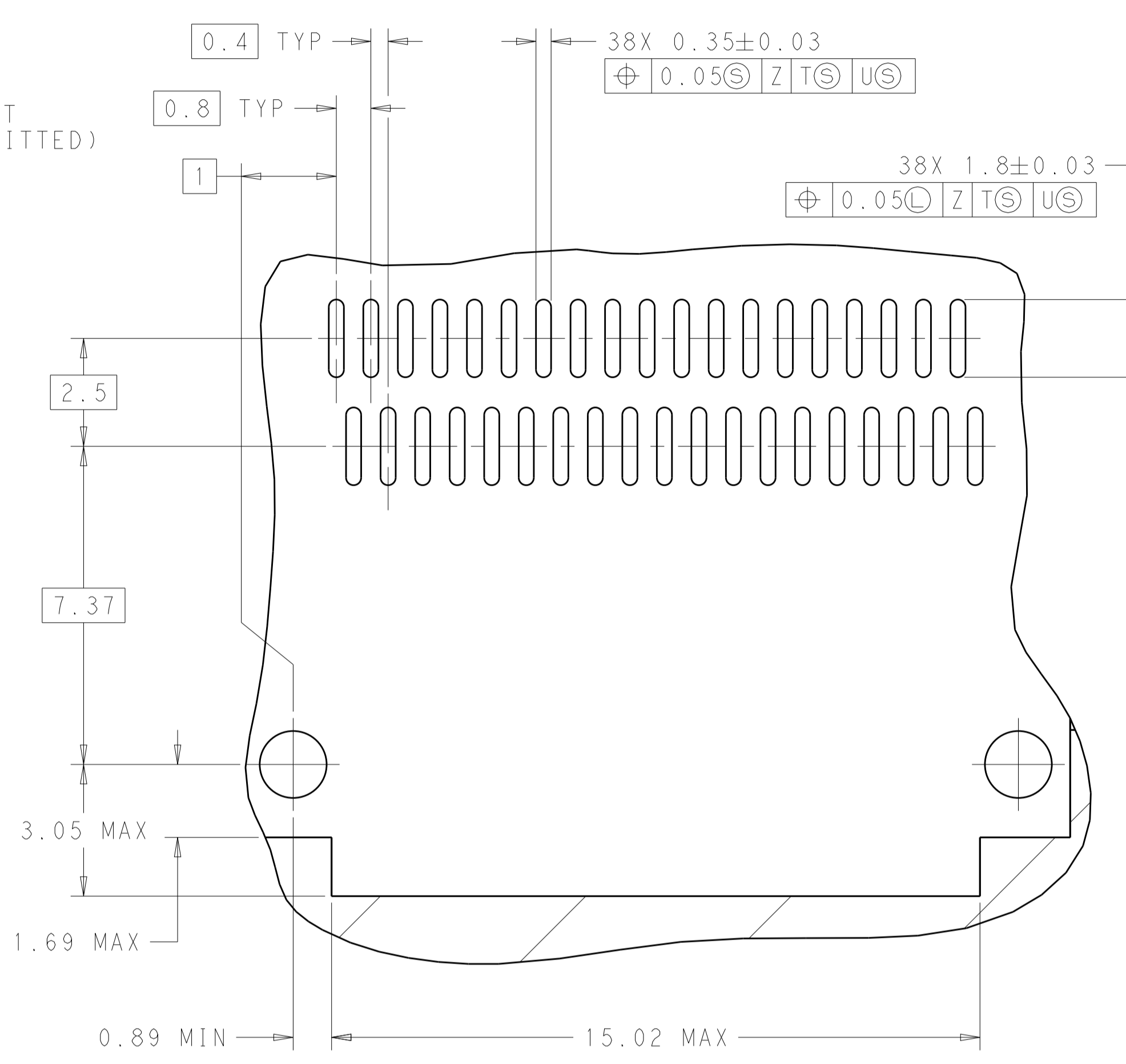
LOC	DIST	REV	DATE	BY	APPD
		1			

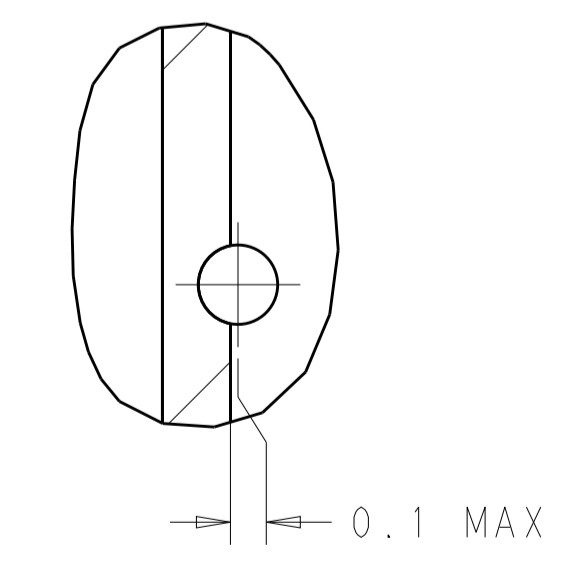
REVISIONS		DATE	BY	APPD
1	SEE SHEET 1			



RECOMMENDED PC BOARD LAYOUT  
SINGLE SIDE MOUNT CONFIGURATION  
SCALE 5:1



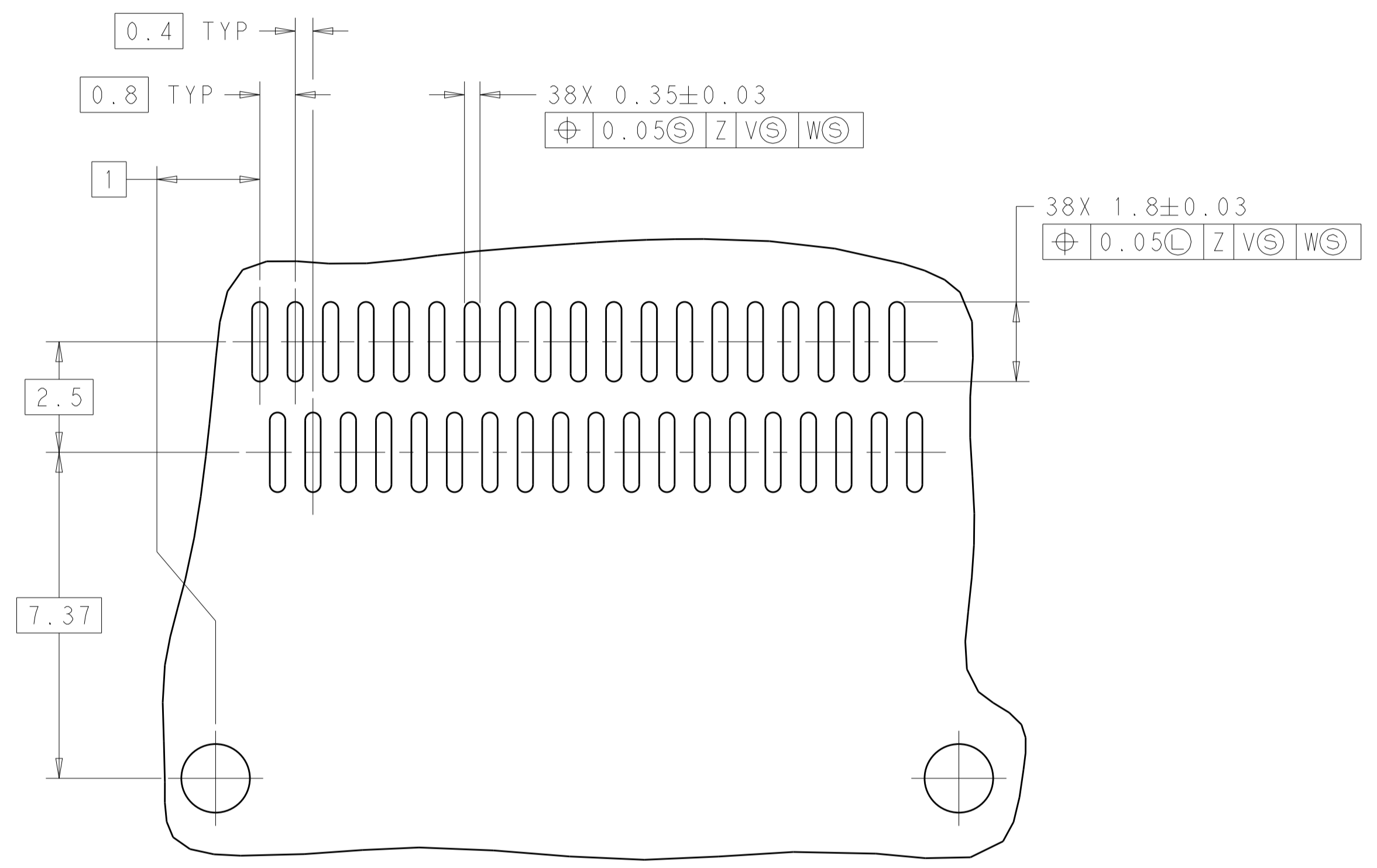
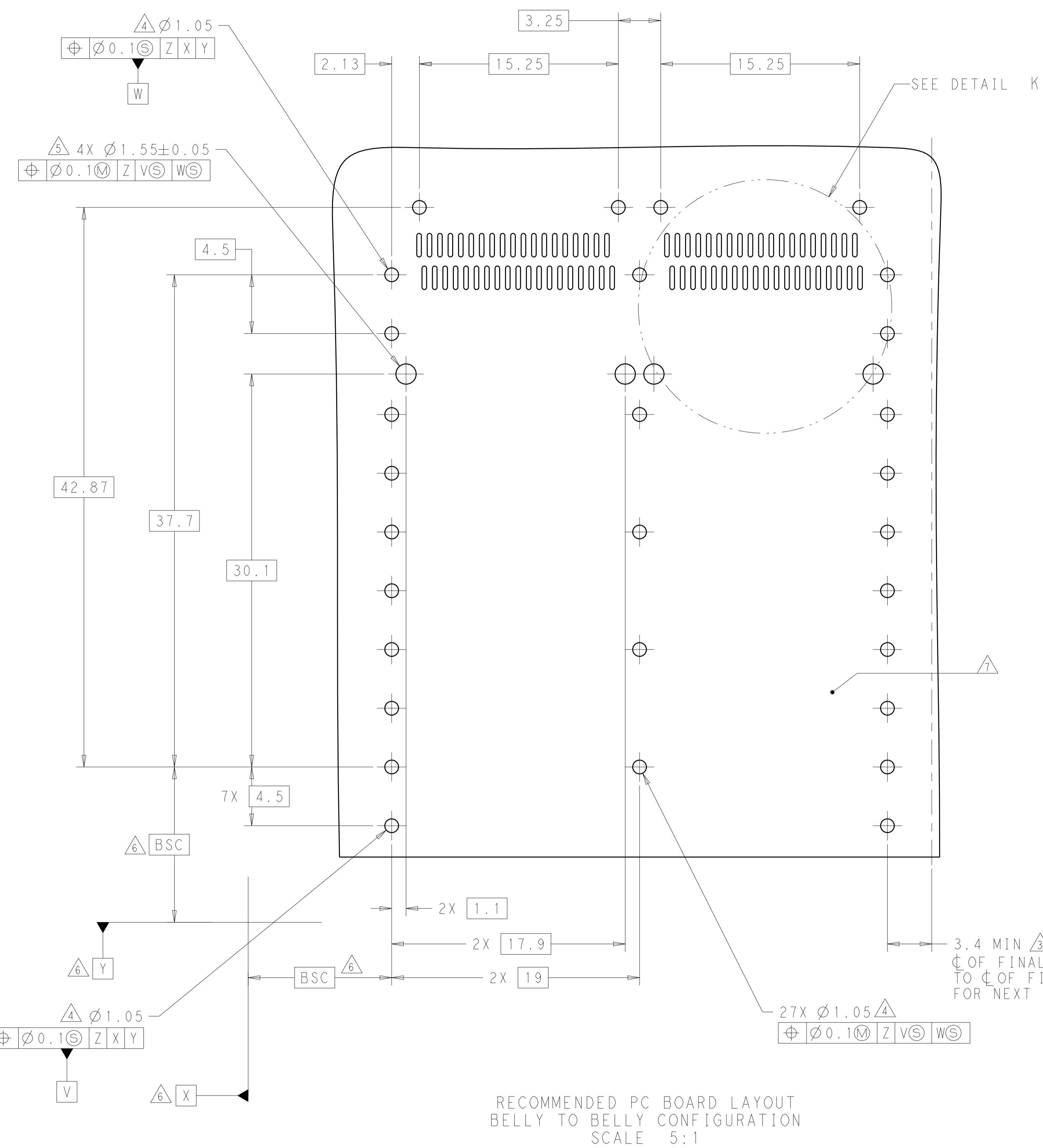
DETAIL J  
2 PLACES  
SCALE 10:1



DETAIL M  
SCALE 10:1

THIS DRAWING IS A CONTROLLED DOCUMENT. DIMENSIONING AND TOLERANCING PER ASME Y14.5M-2009.		DWN: C. VALENTINE 22FEB2013 CHK: E. BRIANT 22FEB2013 APVD: E. BRIANT 22FEB2013	<b>STE</b> TE Connectivity
DIMENSIONS: mm 	TOLERANCES UNLESS OTHERWISE SPECIFIED: 0 PLC ±0.5 1 PLC ±0.13 2 PLC ±0.013 3 PLC ±0.013 4 PLC ±0.0001 ANGLES ±0.0001	NAME: 1X2 CAGE ASSEMBLY, BEHIND BEZEL, QSPF28 PRODUCT SPEC: 108-19428 APPLICATION SPEC: 114-32023 WEIGHT: - Customer Drawing	SIZE: A1 CAGE CODE: 00779 DRAWING NO: 2227104 SCALE: 4:1 SHEET: 4 OF 5 REV: D

LOC		DIST		REVISIONS			
P	LTN	DESCRIPTION	DATE	DWN	APVD		
-	-	SEE SHEET 1	-	-	-		



3.4 MIN  $\Delta$   
 $\phi$  OF FINAL ROW OF HOLES  
 TO  $\phi$  OF FIRST ROW OF HOLES  
 FOR NEXT ADJACENT CAGE

THIS DRAWING IS A CONTROLLED DOCUMENT. DIMENSIONING AND TOLERANCING PER: ASME Y14.5M-2009		DWN: C. VALENTINE 22FEB2013 CHK: E. BRIANT 22FEB2013 APVD: E. BRIANT 22FEB2013	TE Connectivity	
DIMENSIONS: mm		NAME: 1X2 CAGE ASSEMBLY, BEHIND BEZEL, QSPF28		RESTRICTED TO
TOLERANCES UNLESS OTHERWISE SPECIFIED: 0 PLC ±0.5 1 PLC ±0.13 2 PLC ±0.13 3 PLC ±0.013 4 PLC ±0.001 ANGLES ±0.001		PRODUCT SPEC: 108-19428 APPLICATION SPEC: 114-32023 WEIGHT: -	SIZE: A1 CAGE CODE: 00779 DRAWING NO: C=2227104	Customer Drawing
MATERIAL: FINISH:		SCALE: 4:1		SHEET 5 OF 5 REV D

## X-ON Electronics

Largest Supplier of Electrical and Electronic Components

*Click to view similar products for [I/O Connectors](#) category:*

*Click to view products by [TE Connectivity](#) manufacturer:*

Other Similar products are found below :

[571763P](#) [72.250.1628.2](#) [72.250.2428.2](#) [74720-0505](#) [76.350.0729.0](#) [76871-1403](#) [FCN-244F080-G/1](#) [FCN-260A9920](#) [MP-5T180MUNNA-005](#)  
[PCR-E36PM](#) [PCS-XE26MA+](#) [G38A71314B](#) [1571250010](#) [157-22500-3](#) [MS3471L14-19P L/C](#) [91-569786-35H](#) [172501-4002](#) [172501-6002](#)  
[FCN-260C008-A/L0](#) [FCN-260C024-AL0](#) [FCN-261Z008](#) [2000314-1](#) [200331-1](#) [PCR-E36FC+](#) [PCS-E28FS+](#) [PCS-XE26SLFD+](#) [PCS-](#)  
[XE26SLFDT+](#) [G730VID08BDC24](#) [U90B2054081210](#) [UE86K842720321](#) [38113800006](#) [DP3AR020WQ1R200](#) [Z4.102.0680.0](#) [500-1040](#)  
[500-1052](#) [500-1054](#) [ZP-4008-66L](#) [0709821002](#) [10-565995-597N](#) [DX40-20P\(55\)](#) [5554841-1](#) [MS3474W18-8P-LC\\*](#) [U90B3054061110](#) [U65-](#)  
[E04-4020](#) [ZPF000000000097891](#) [557-262M2-06C](#) [747360449](#) [10099439-003C-TRLF](#) [10137239-0021LF](#) [E9320-001-01](#)