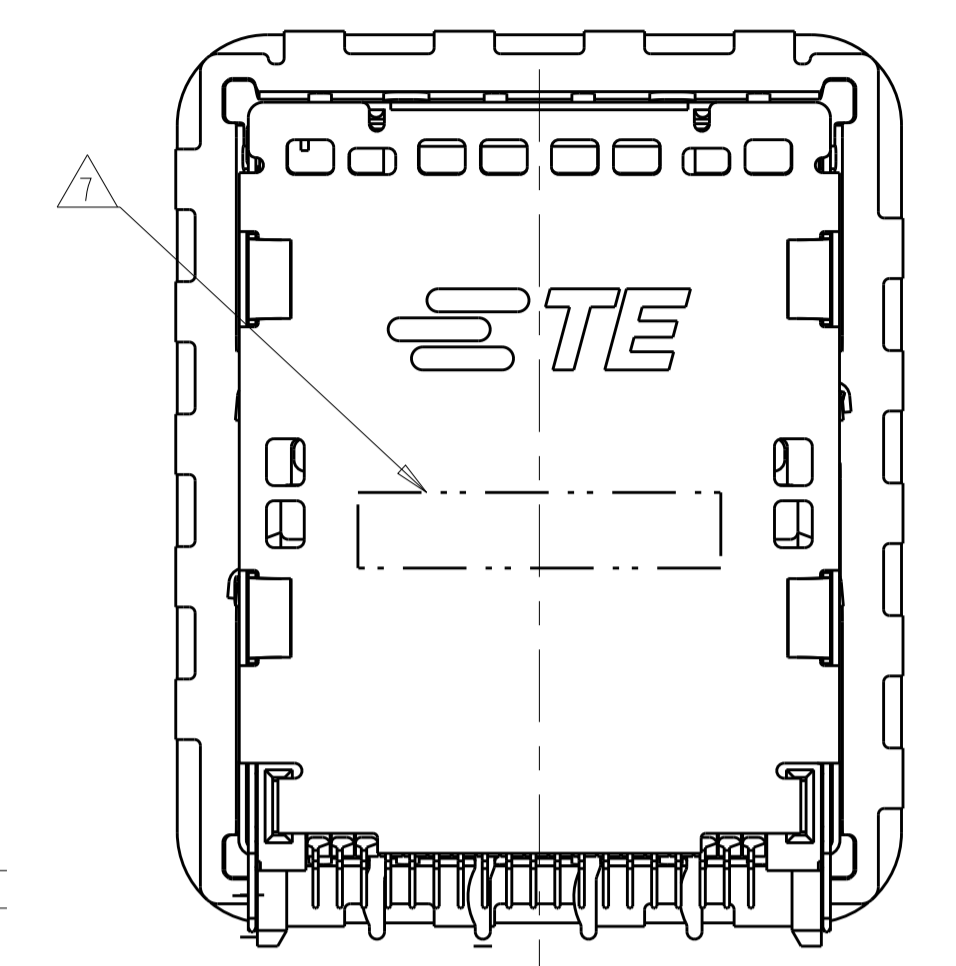
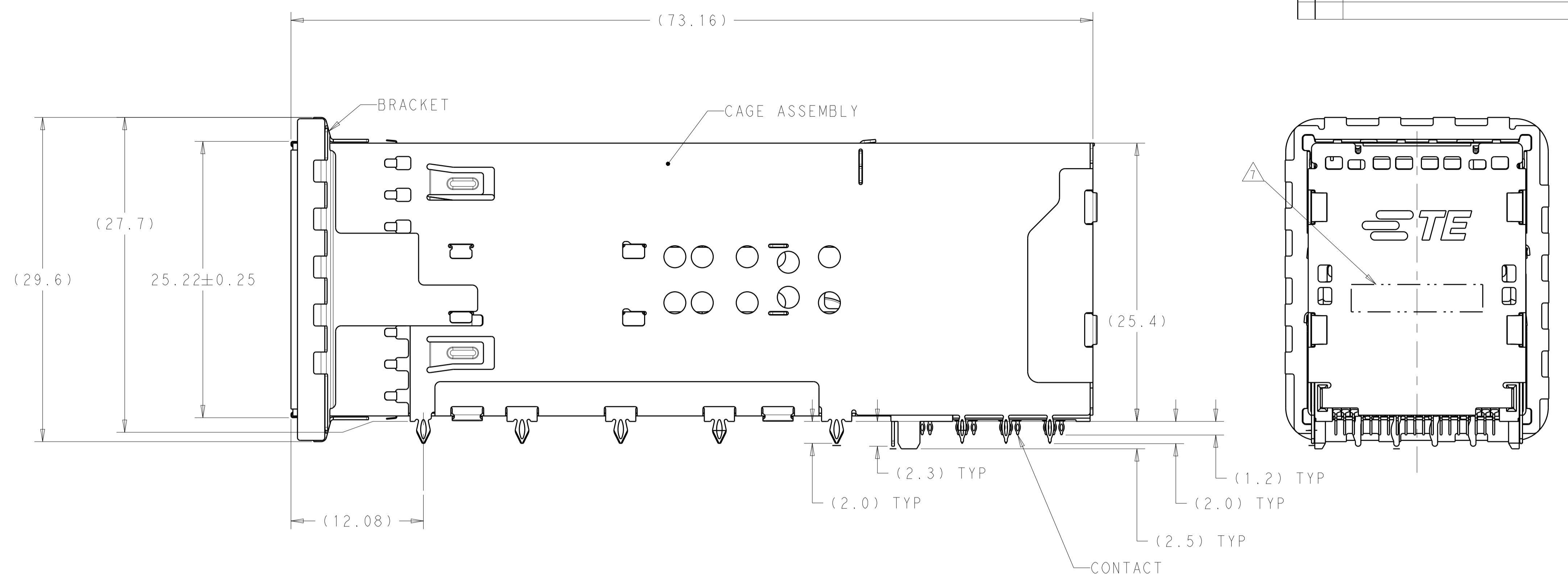
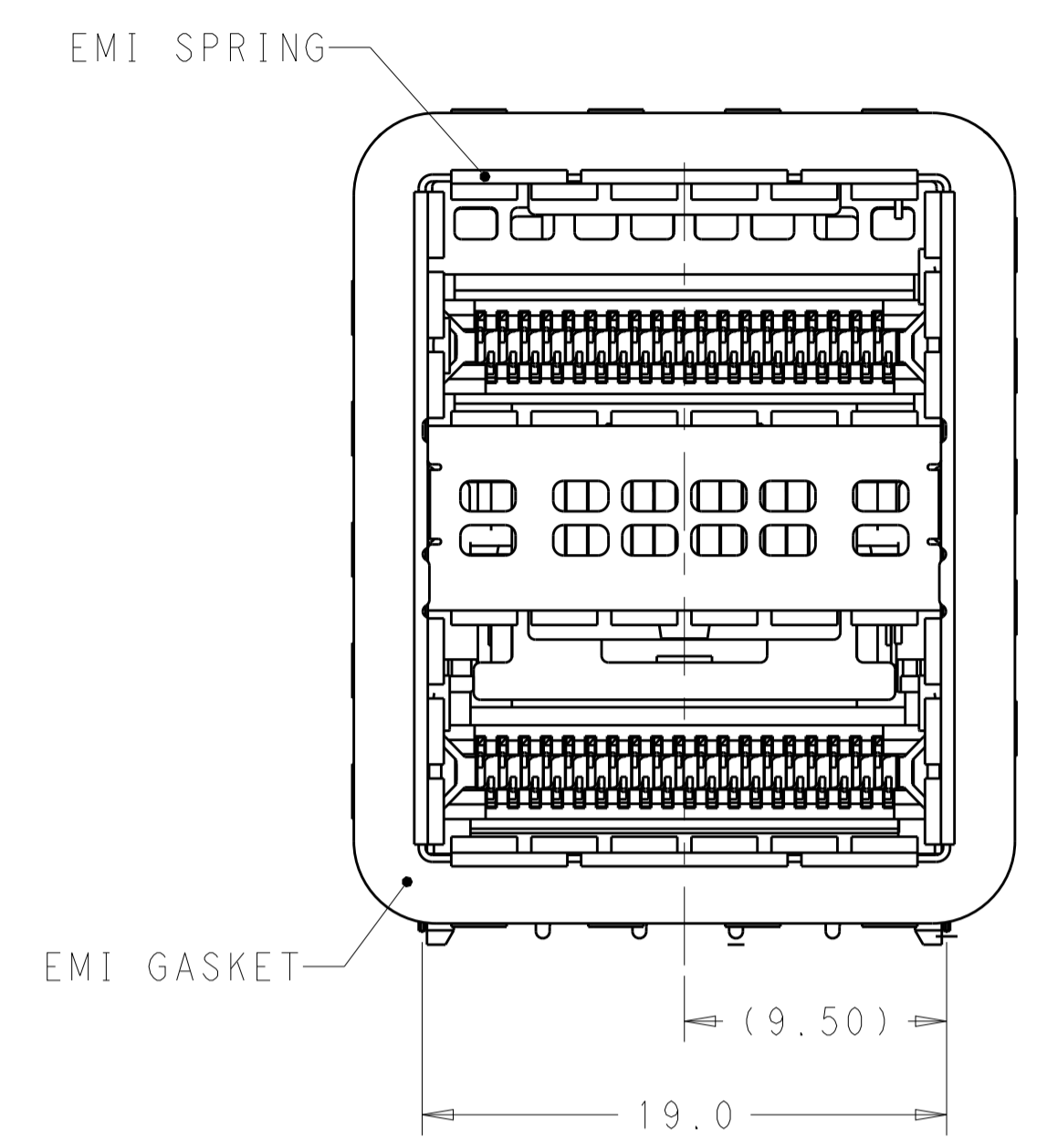
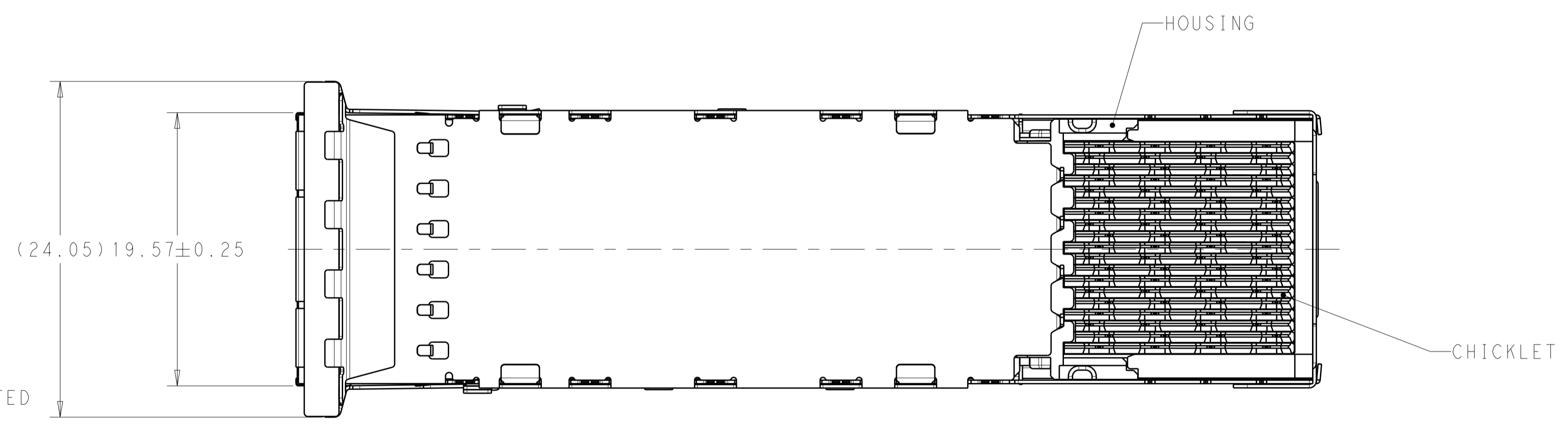


LOC	DIST	REVISIONS					
GP	00	P	LTN	DESCRIPTION	DATE	DWN	APVD
		A		RELEASED FOR PRODUCTION	02MAR2016	TX	SH



1. MATERIALS:  
 CAGE ASSEMBLY- NICKEL SILVER ALLOY PER ASTM B 122.  
 BRACKET- STAINLESS STEEL.  
 EMI SPRING- COPPER ALLOY, NICKEL PLATED.  
 EMI GASKET- PLATED FILLED SILICONE.  
 HOUSING- POLYESTER LCP WITH 94V-0.  
 CHICKLET- POLYESTER LCP WITH 94V-0.  
 CONTACT- COPPER ALLOY.  
 LIGHTPIPE- POLYCARBONATE WITH 94V-0.

- 2 CONTACT FINISH: 0.76µm GOLD ON MATING END, 1.25µm TIN ON SOLDER TAIL, ALL OVER 1.27µm NICKEL.  
 3 DATUM AND BASIC DIMENSION ESTABLISHED BY CUSTOMER.  
 4 MINIMUM PCB THICKNESS OF 1.57.  
 5 THE ENTIRE AREA OF THE CONNECTOR FOOTPRINT, INDICATED BY THE DASHED LINE, TO BE CONSIDERED THE KEEPOUT AREA FOR COMPONENTS.  
 6 CROSS-HATCHED AREAS REPRESENT ZONES ON THE PCB THAT COME IN CONTACT WITH OR BE IN CLOSE PROXIMITY TO THE PLASTIC HOUSING OR THE CONNECTOR CAGE. INDICATED AREAS TO BE CONSIDERED TRACE FREE.  
 7 PART NUMBER AND DATE CODE MARKED IN APPROXIMATE AREA SHOWN.  
 8 THESE HOLES ARE OPTIONAL WHEN PINS ON BACK OF GAGE ARE REMOVED.  
 9 HATCHED AREA IS PLACEMENT ZONE FOR LED. LED SHOULD BE CENTERED WITHIN ZONE. RECOMMEND 0805 PACKAGE.  
 10 CONTACT FINISH: 0.08µm MINIMUM GOLD OVER 0.68µm PALLADIUM-NICKEL ON MATING END, 1.25µm MATT TIN ON SOLDER TAIL, ALL OVER 1.27µm NICKEL.

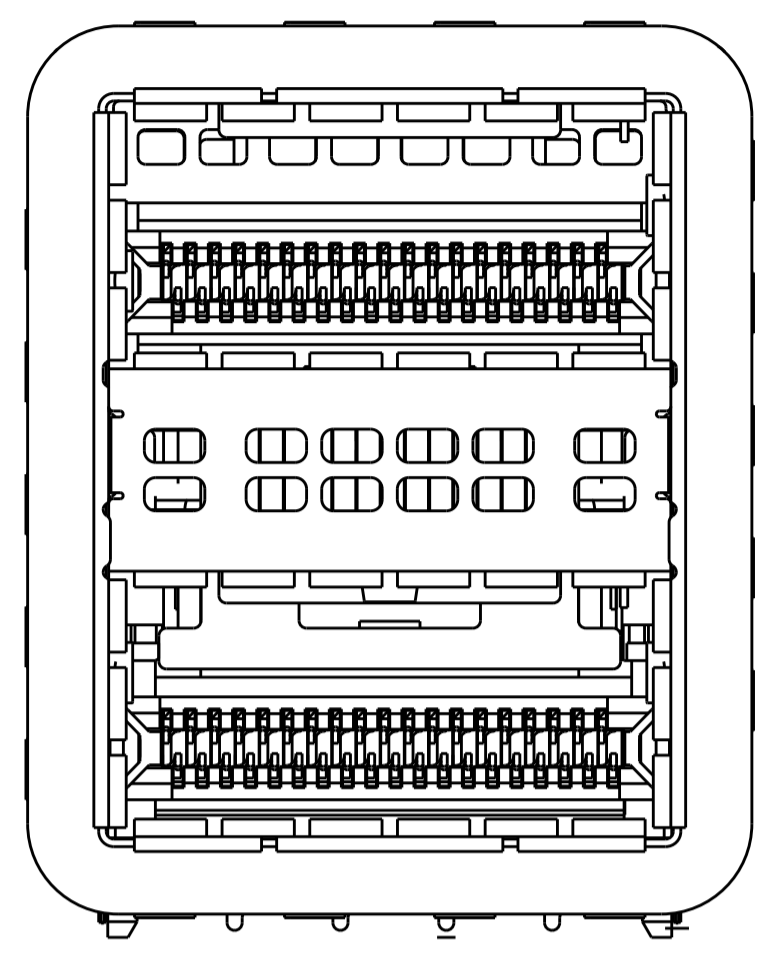


CONTACT FINISH	DESCRIPTION	PART NUMBER
10	LEFT INDICATOR DOWN	2227224-6
10	LEFT INDICATOR UP	2227224-5
10	NO LIGHTPIPE	2227224-4
2	LEFT INDICATOR DOWN	2227224-3
2	LEFT INDICATOR UP	2227224-2
2	NO LIGHTPIPE	2227224-1

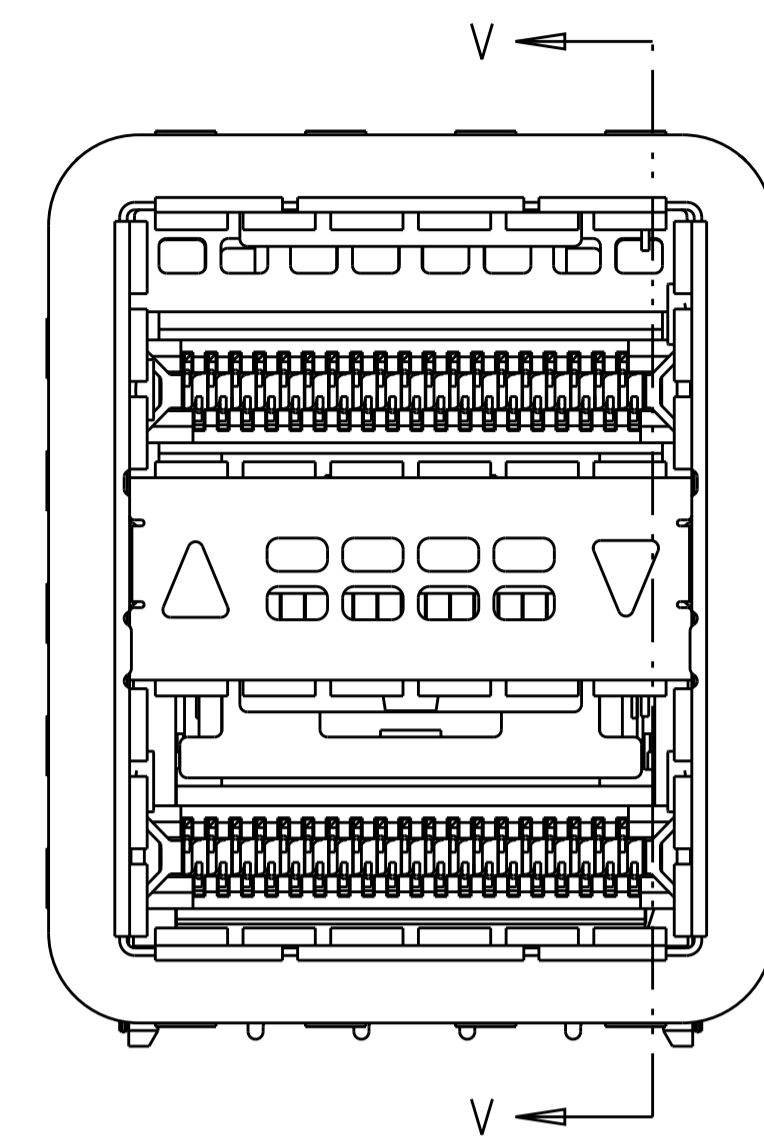
THIS DRAWING IS A CONTROLLED DOCUMENT. DIMENSIONING AND TOLERANCING PER ASME Y14.5M-2009

DIMENSIONS:	TOLERANCES UNLESS OTHERWISE SPECIFIED:	DWN M. SHIRK 14AUG2012	NAME
mm	0 PLC ±	CHK D. SZCZESNY 14AUG2011	TE Connectivity
	1 PLC ±0.25	APVD	CAGE AND CONNECTOR ASSEMBLY, WITH EMI GASKET, 2X1, ZQSFP+ STACKED
	2 PLC ±0.15	PRODUCT SPEC	108-60102
	3 PLC ±	APPLICATION SPEC	114-60015
	4 PLC ±	SIZE	A100779C=2227224
	ANGLES ±	WEIGHT	SCALE 4:1 SHEET 1 OF 4 REV A
MATERIAL	FINISH	CUSTOMER DRAWING	
SEE NOTE 1			

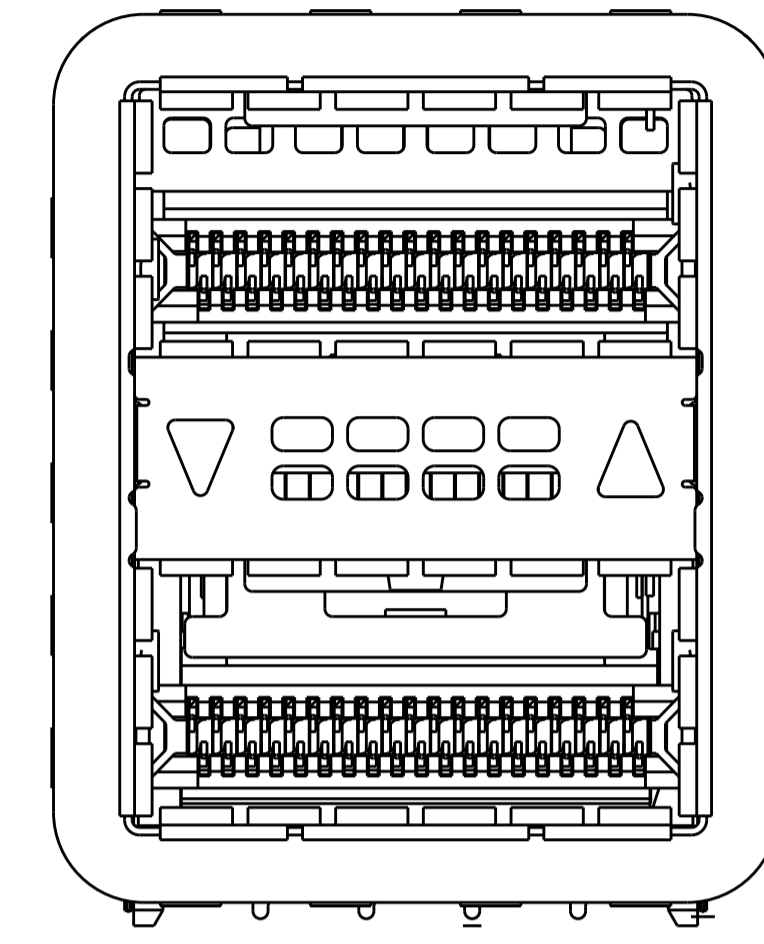
LOC	DIST	REVISIONS			
P	LTN	DESCRIPTION	DATE	DWN	APVD
-	-	SEE SHEET 1	-	-	-



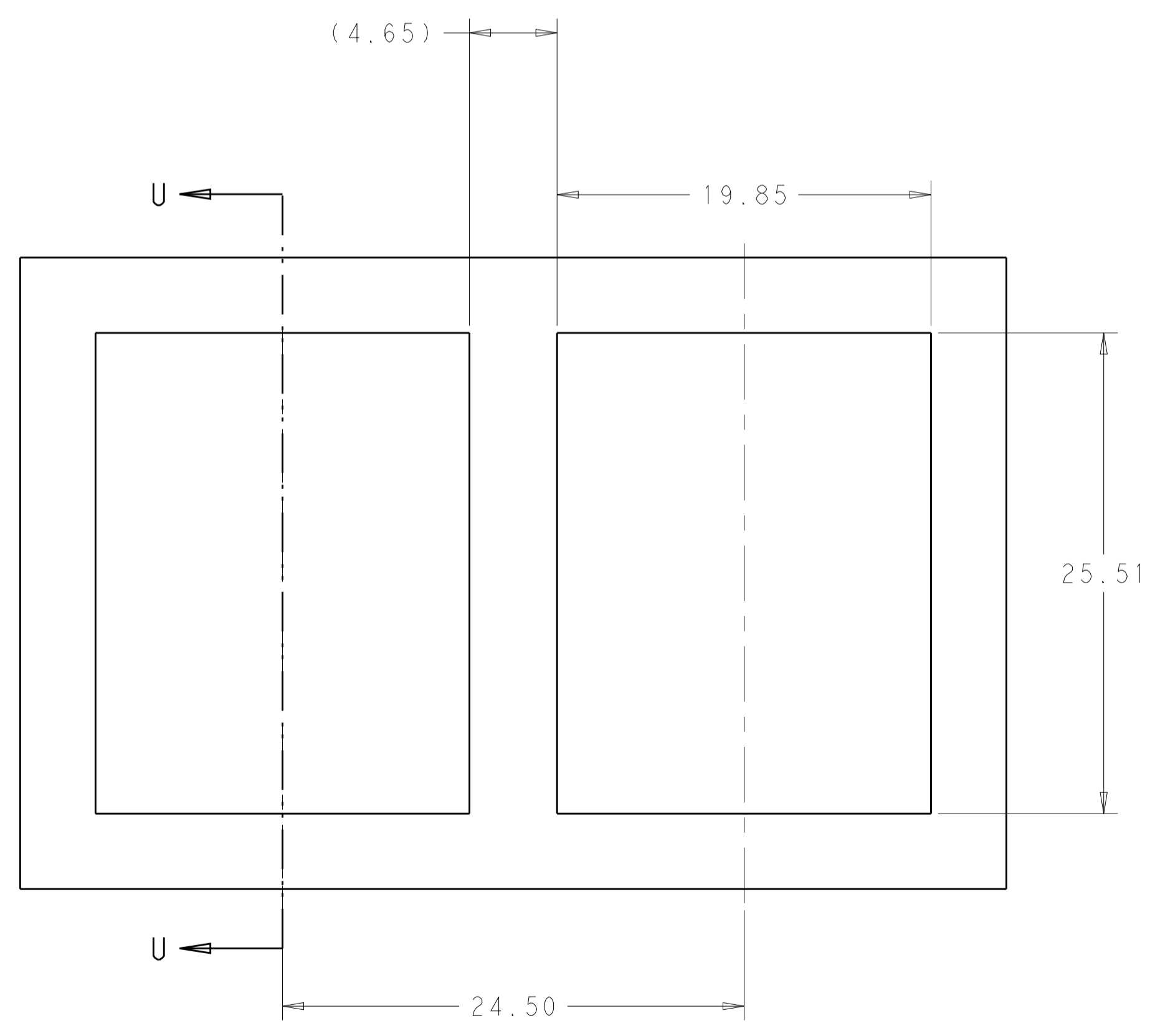
2227224-1 / 2227224-4  
NO LIGHTPIPE IN ASSEMBLY



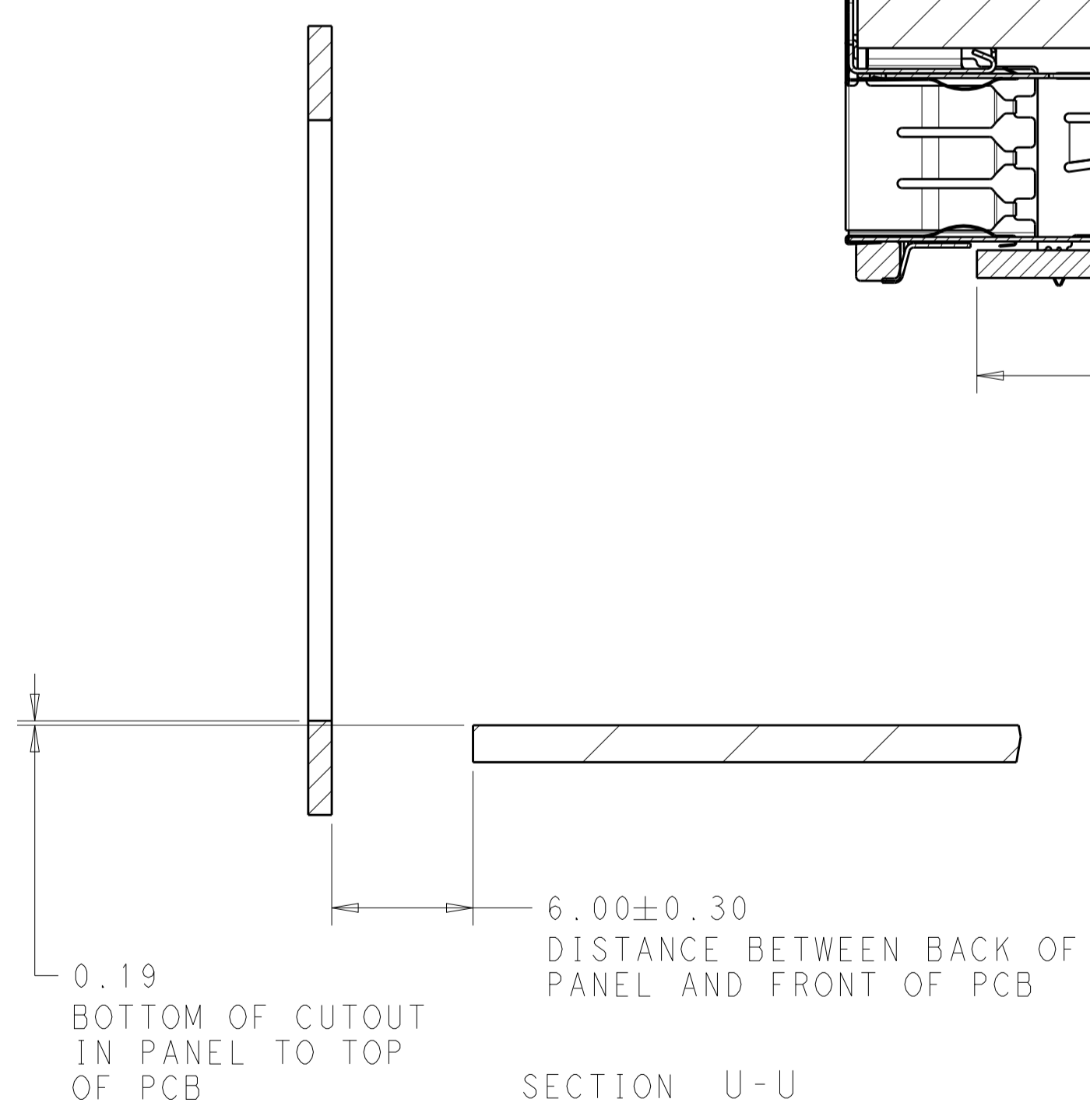
2227224-2 / 2227224-5  
LEFT LIGHTPIPE INDICATOR  
POINTING TO UPPER PORT



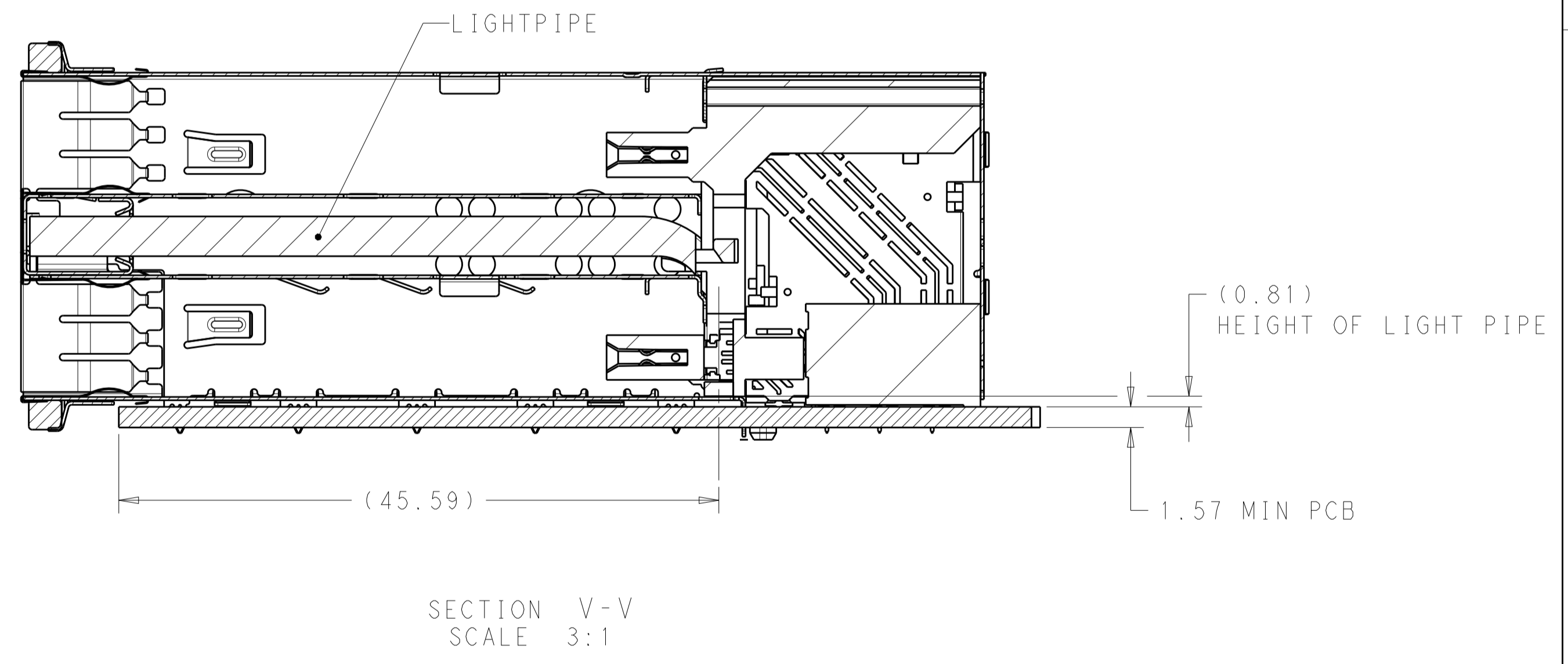
2227224-3 / 2227224-6  
LEFT LIGHTPIPE INDICATOR  
POINTING TO LOWER PORT



RECOMMENDED PANEL CUTOUT  
AND PC BOARD, PANEL POSITION



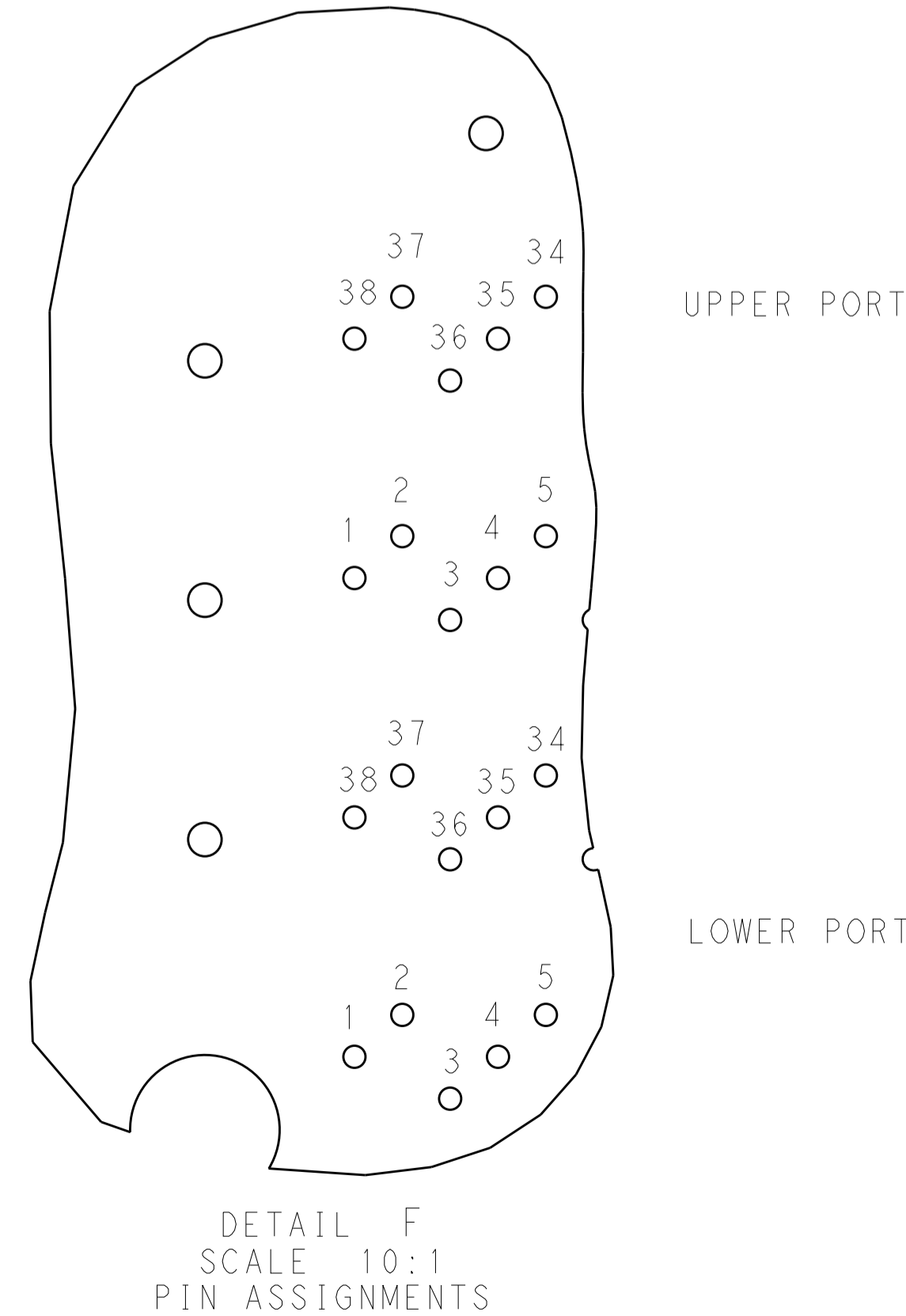
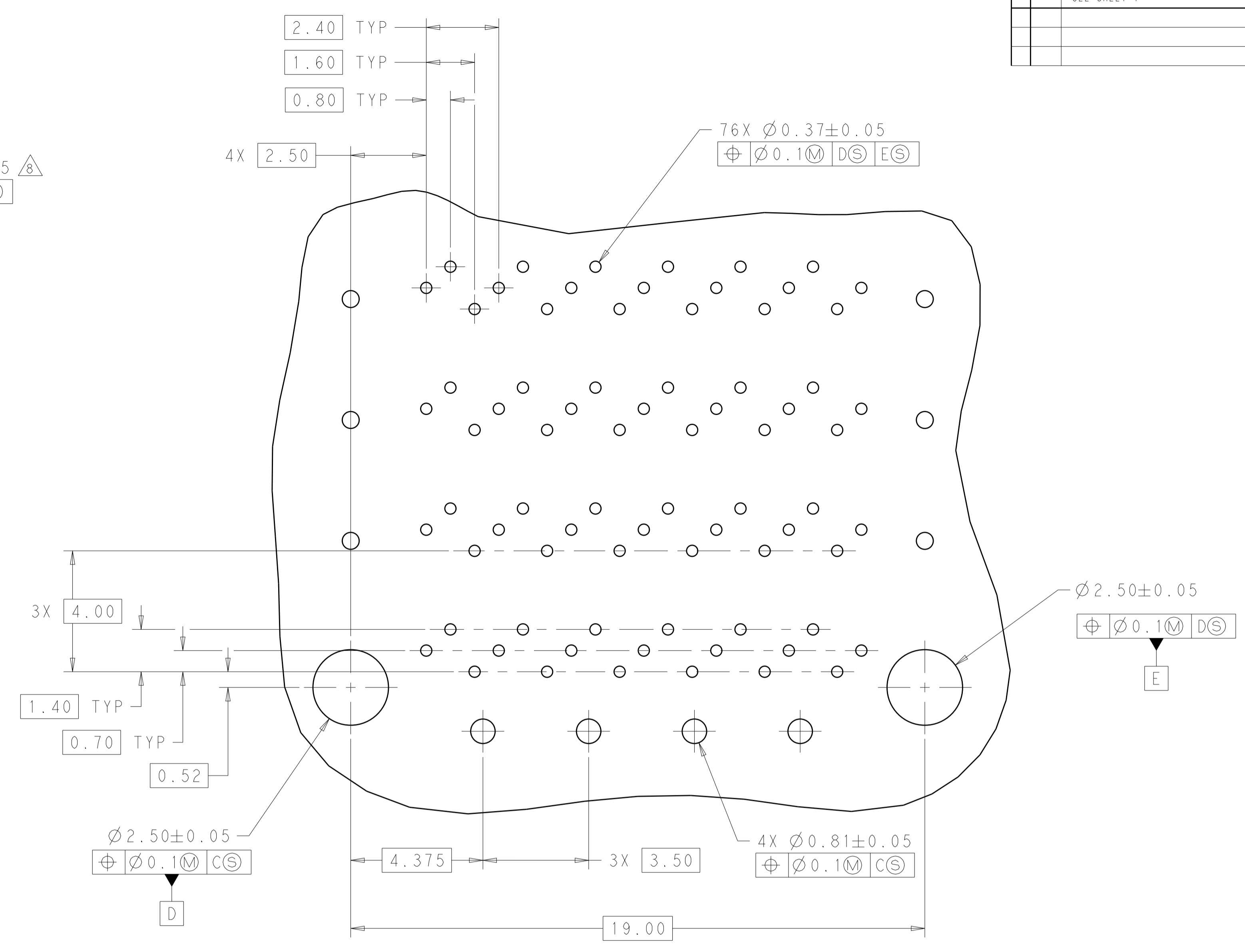
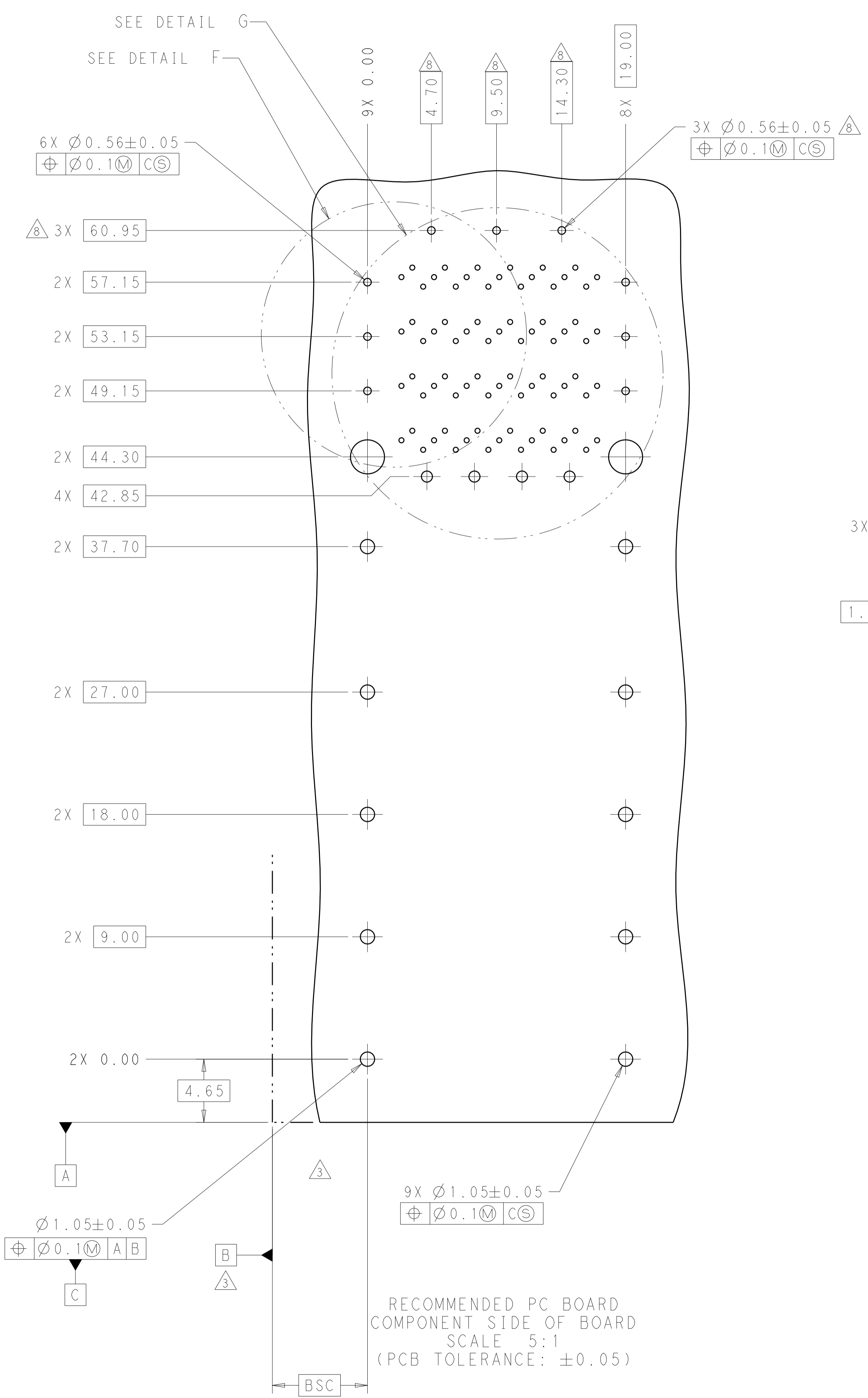
SECTION U-U



SECTION V-V  
SCALE 3:1

THIS DRAWING IS A CONTROLLED DOCUMENT. DIMENSIONING AND TOLERANCING PER ASME Y14.5M-2009. TOLERANCES UNLESS OTHERWISE SPECIFIED:		DWN: M. SHIRK 14AUG2012 CHK: D. SZCZESNY 14AUG2011 APVD: -	TE Connectivity	
DIMENSIONS:	mm	0 PLC ± 1 PLC ±0.25 2 PLC ±0.15 3 PLC ± 4 PLC ±	PRODUCT SPEC: 108-60102	NAME: CAGE AND CONNECTOR ASSEMBLY, WITH EMI GASKET, 2X1, ZQSFP+ STACKED
MATERIAL:	FINISH:	ANGLES: ±	APPLICATION SPEC: 114-60015	RESTRICTED TO: -
SEE NOTE 1			WEIGHT: -	SIZE: A100779C=2227224
			CUSTOMER DRAWING	SCALE: 4:1 SHEET 2 OF 4 REV A

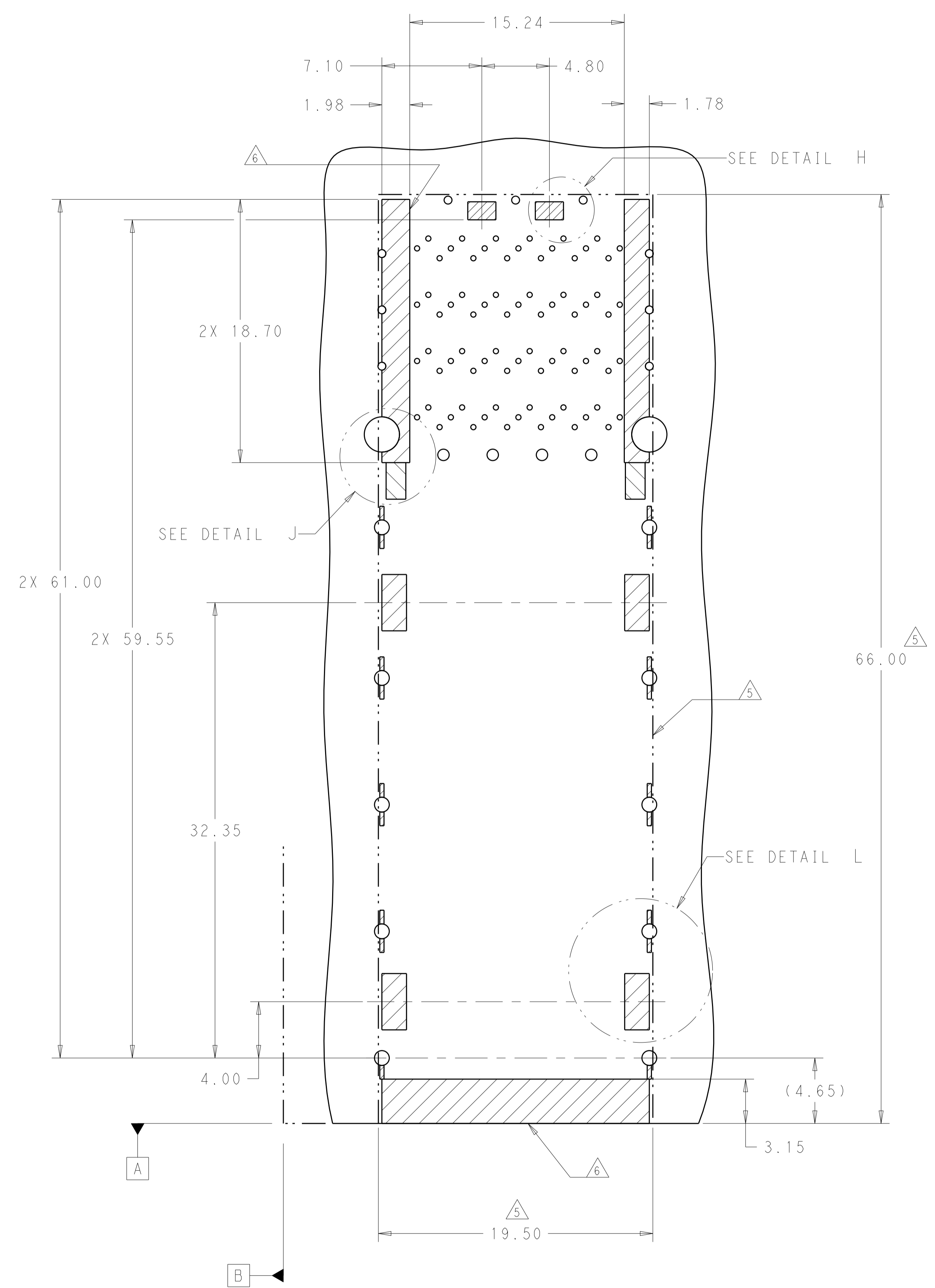
LOC		DIST		REVISIONS			
P	LTN	DESCRIPTION	DATE	DMN	APVD		
-	-	SEE SHEET 1	-	-	-	-	-



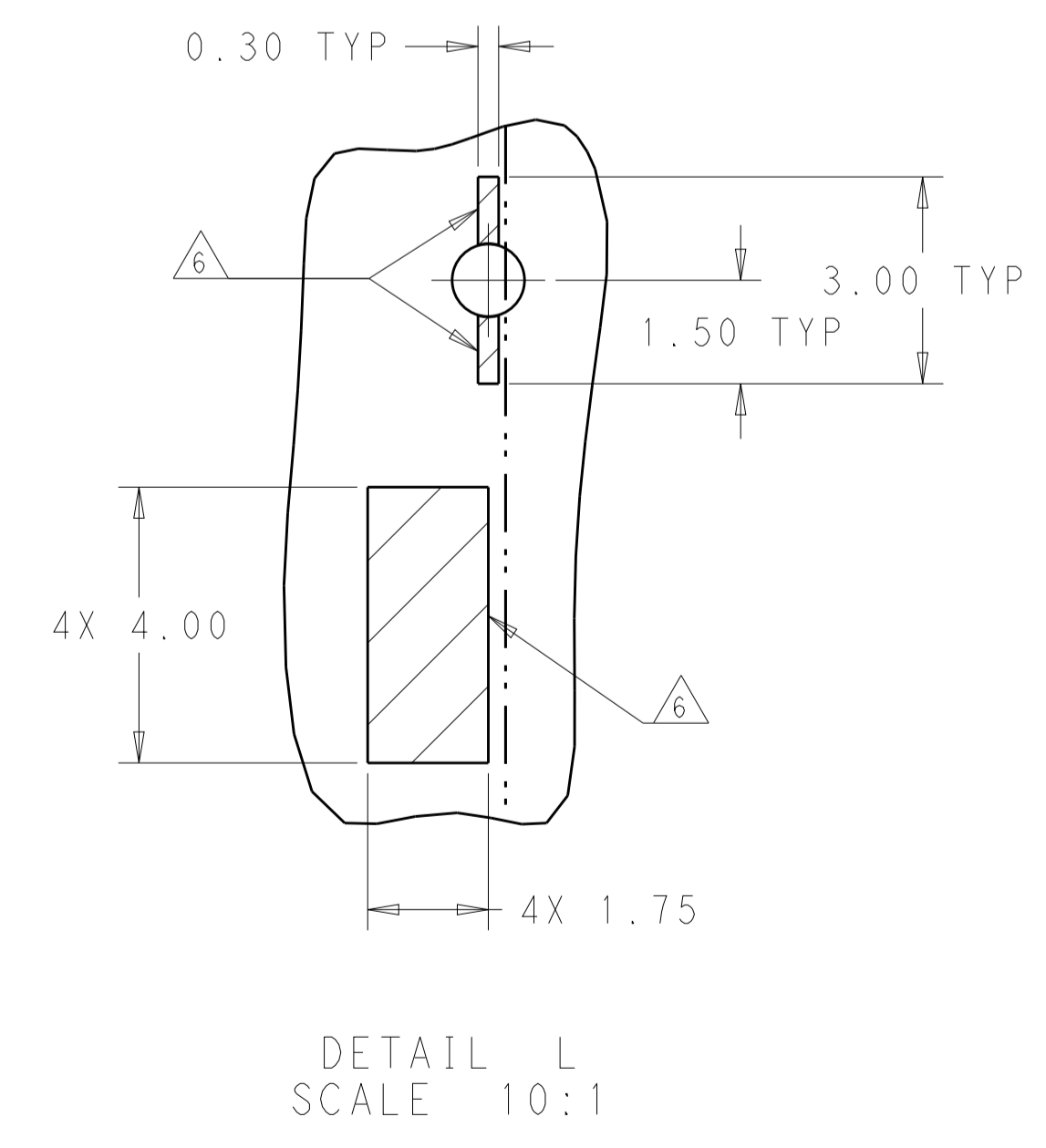
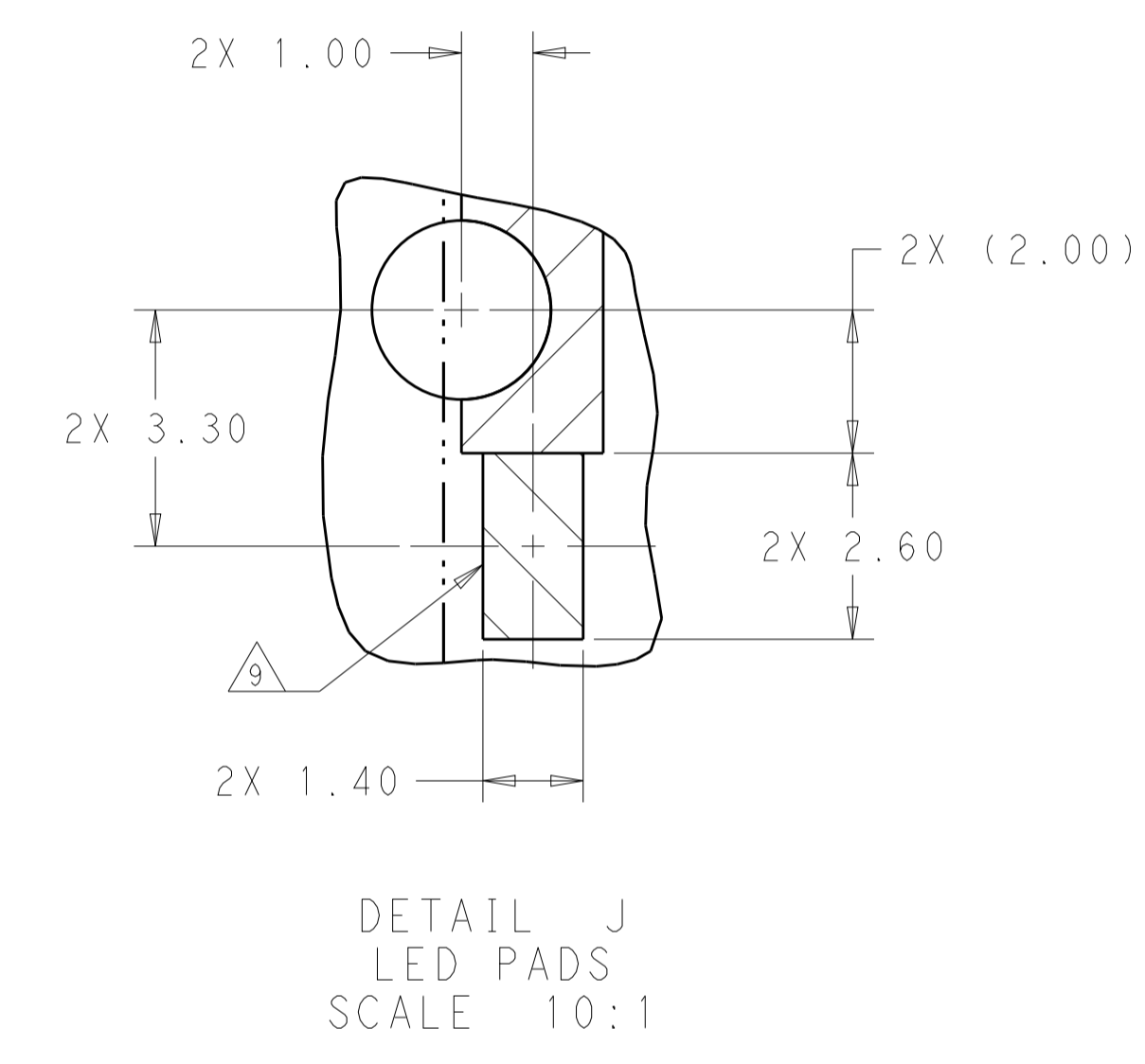
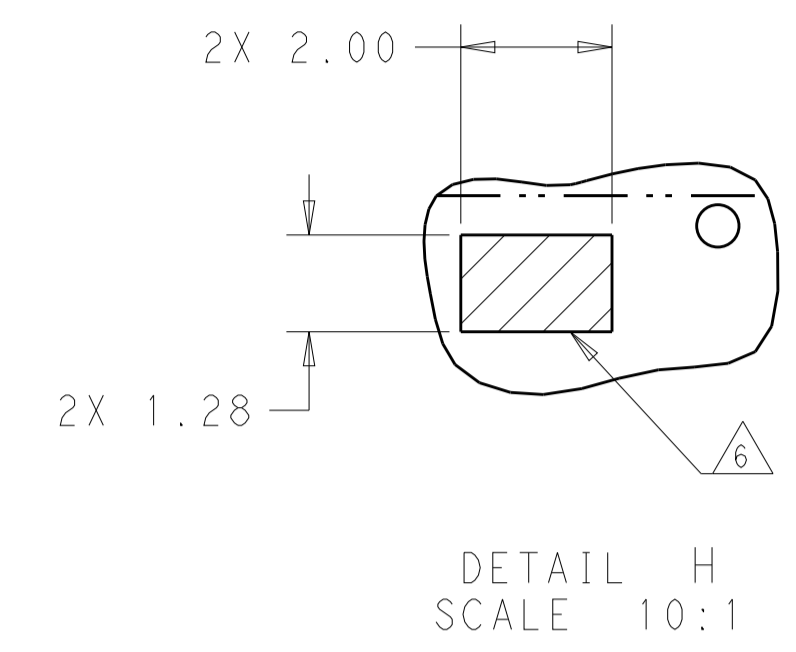
DETAIL G  
 SCALE 10:1

THIS DRAWING IS A CONTROLLED DOCUMENT. DIMENSIONING AND TOLERANCING PER ASME Y14.5M-2009		DMN: M. SHIRK 14AUG2012	TE Connectivity
		CHK: D. SZCZESNY 14AUG2011	
DIMENSIONS:	TOLERANCES UNLESS OTHERWISE SPECIFIED:	APVD:	NAME:
mm	0 PLC $\pm$	PRODUCT SPEC:	CAGE AND CONNECTOR ASSEMBLY,
	1 PLC $\pm 0.25$	108-60102	WITH EMI GASKET, 2X1,
	2 PLC $\pm 0.15$	APPLICATION SPEC:	ZQSFP+ STACKED
	3 PLC $\pm$	114-60015	SIZE: CAGE CODE: DRAWING NO:
	4 PLC $\pm$	WEIGHT:	A100779C=2227224
	ANGLES $\pm$	CUSTOMER DRAWING	RESTRICTED TO:
MATERIAL:	FINISH:	SCALE 4:1	SHEET 3 OF 4
SEE NOTE 1			REV A

LOC	DIST	REVISIONS			
P.	LTH	DESCRIPTION	DATE	DWN	APVD
-	-	SEE SHEET 1	-	-	-



KEEPOUT AREAS  
 COMPONENT SIDE OF BOARD  
 SCALE 5:1



THIS DRAWING IS A CONTROLLED DOCUMENT. DIMENSIONING AND TOLERANCING PER ASME Y14.5M-2009.		DWN: M. SHIRK 14AUG2012 CHK: D. SZCZESNY 14AUG2011	TE Connectivity	
DIMENSIONS: mm	TOLERANCES UNLESS OTHERWISE SPECIFIED:	APVD: -	NAME: CAGE AND CONNECTOR ASSEMBLY, WITH EMI GASKET, 2X1, ZQSP+ STACKED	
0 PLC ±0.25 1 PLC ±0.15 2 PLC ±0.15 3 PLC ±0.15 4 PLC ±0.15	ANGLES ±0.15	PRODUCT SPEC: 108-60102 APPLICATION SPEC: 114-60015	SIZE: A1	CAGE CODE: 00779
MATERIAL: - FINISH: - SEE NOTE 1	WEIGHT: - CUSTOMER DRAWING	DRAWING NO: 2227224	SCALE: 4:1	SHEET 4 OF 4 REV A

## X-ON Electronics

Largest Supplier of Electrical and Electronic Components

*Click to view similar products for [I/O Connectors](#) category:*

*Click to view products by [TE Connectivity](#) manufacturer:*

Other Similar products are found below :

[571763P](#) [58098-0628](#) [72.250.1628.2](#) [72.250.2428.2](#) [74720-0505](#) [76.350.0729.0](#) [76871-1403](#) [FCN-244F080-G/1](#) [FCN-260A9920](#) [PCR-E36PM](#) [PCS-XE26MA+](#) [G38A71314B](#) [1571250010](#) [157-22500-3](#) [MS3471L14-19P L/C](#) [172501-4002](#) [172501-6002](#) [FCN-260C008-A/L0](#) [FCN-260C024-AL0](#) [FCN-261Z008](#) [2000314-1](#) [200331-1](#) [PCR-E36FC+](#) [PCS-E28FS+](#) [PCS-XE26SLFD+](#) [PCS-XE26SLFDT+](#) [G730VID08BDC24](#) [U90B2054081210](#) [38113800006](#) [DP3AR020WQ1R200](#) [Z4.102.0680.0](#) [500-1040](#) [500-1052](#) [500-1054](#) [ZP-4008-66L](#) [0709821002](#) [DX40-20P\(55\)](#) [5554841-1](#) [MS3474W18-8P-LC\\*](#) [U90B3054061110](#) [U65-E04-4020](#) [ZPF000000000097891](#) [747360449](#) [10099439-003C-TRLF](#) [10137239-0021LF](#) [E9320-001-01](#) [10137239-0011LF](#) [70289-001LF](#) [70.060.1028.0](#) [109029-ZZ](#)