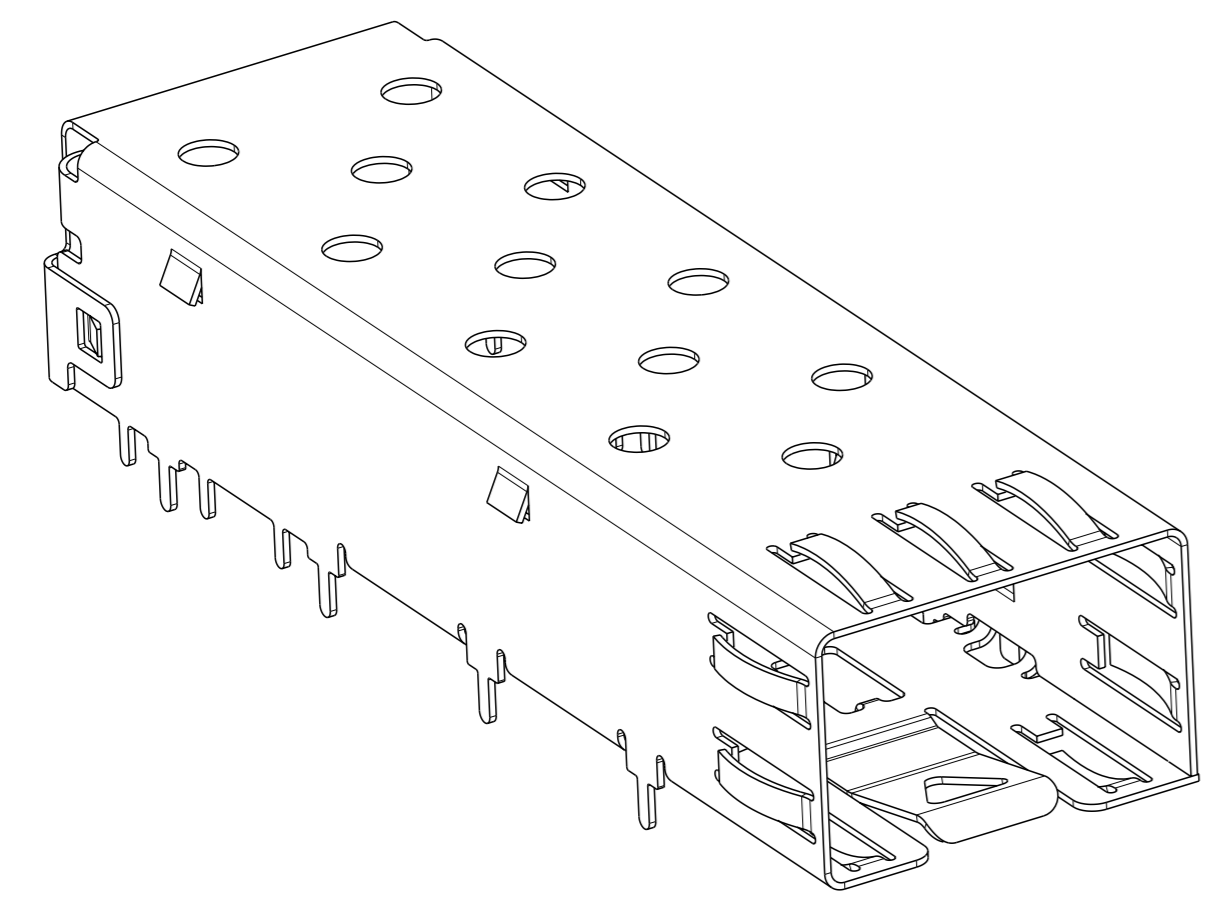
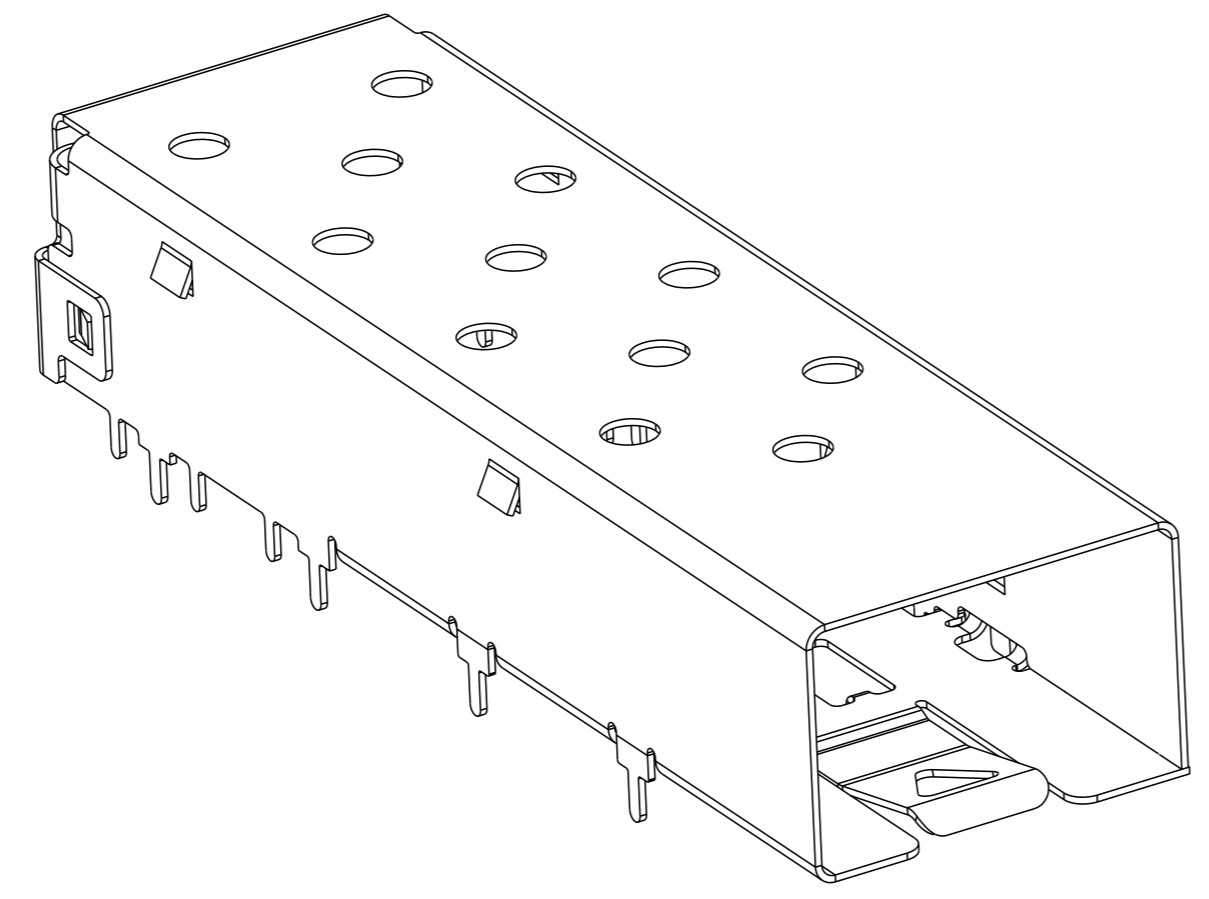


| LOC | DIST | REVISIONS | | | | | |
|-----|------|-----------|-----|------------------------------|-----------|-----|------|
| GP | 00 | # | LY# | DESCRIPTION | DATE | OWN | APVD |
| | | C | | REVISED PER ECR-19-008054 | 22MAY2019 | IT | SH |
| | | C1 | | ADD PN 2-4 | 27AUG2019 | IT | SH |
| | | C2 | | ADD PN 1-3 WITH 1.25MM TAILS | 15JUN2020 | IT | SH |
| | | C3 | | ADD PN 3-2 PER ECN-21-106888 | 17MAY2021 | SZ | SZ |

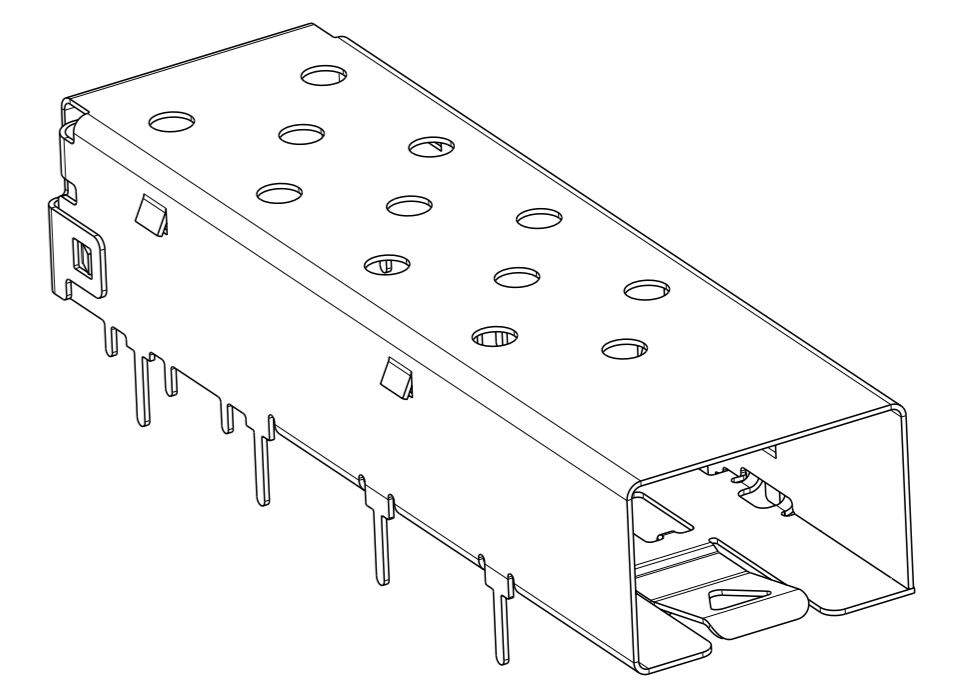


2227303-1, -2, -3, -7
 1-2227303-2/3

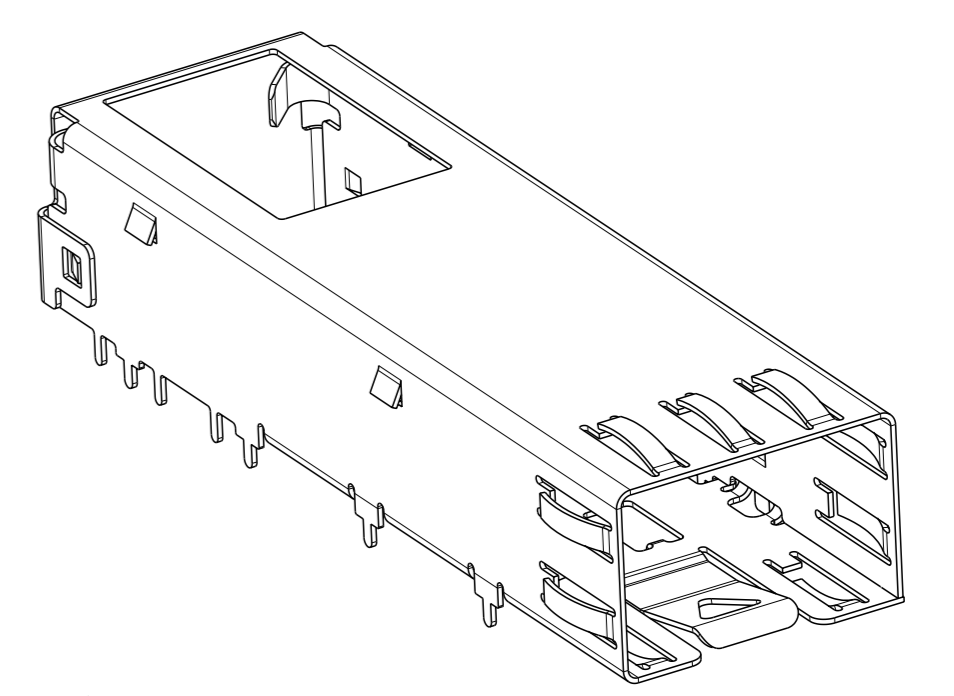
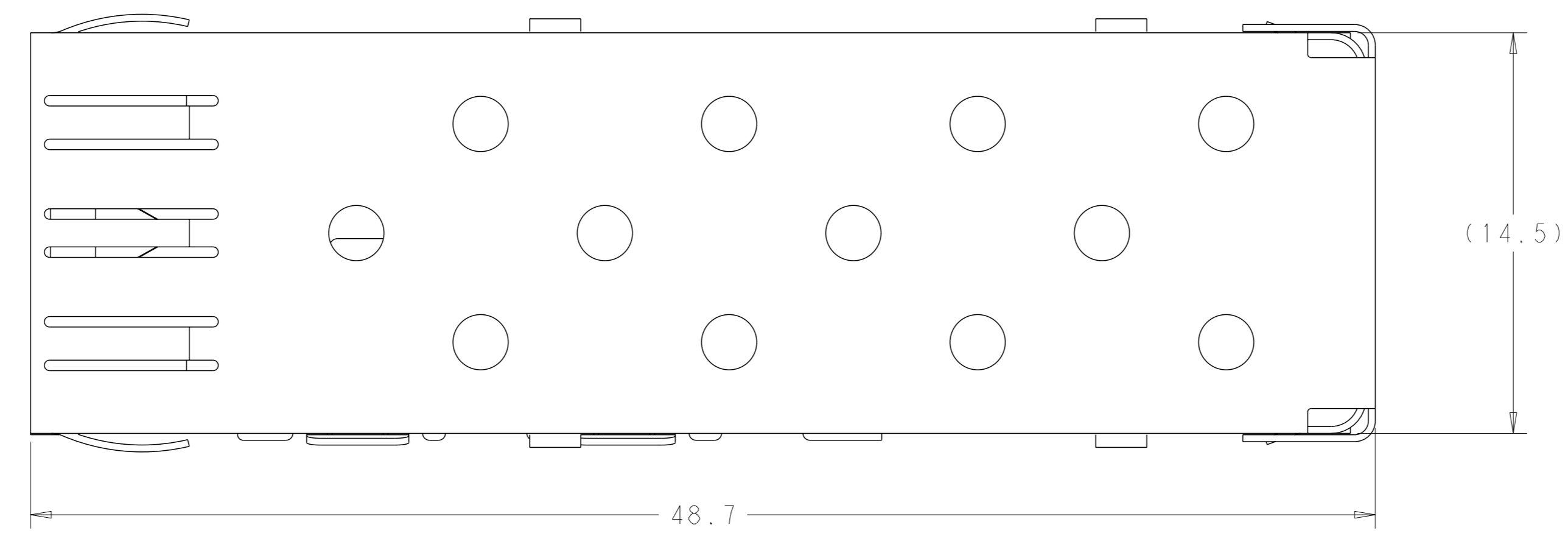


3-2227303-2

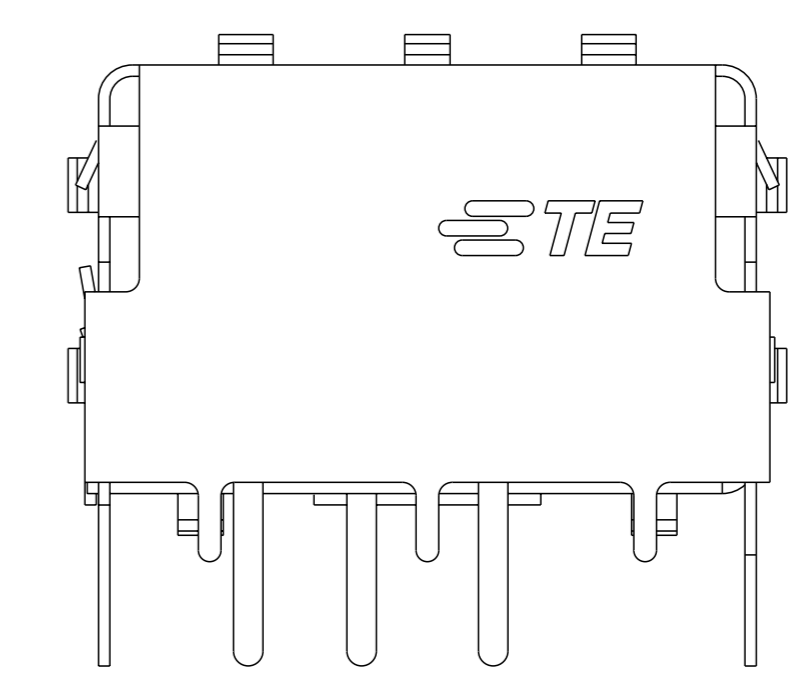
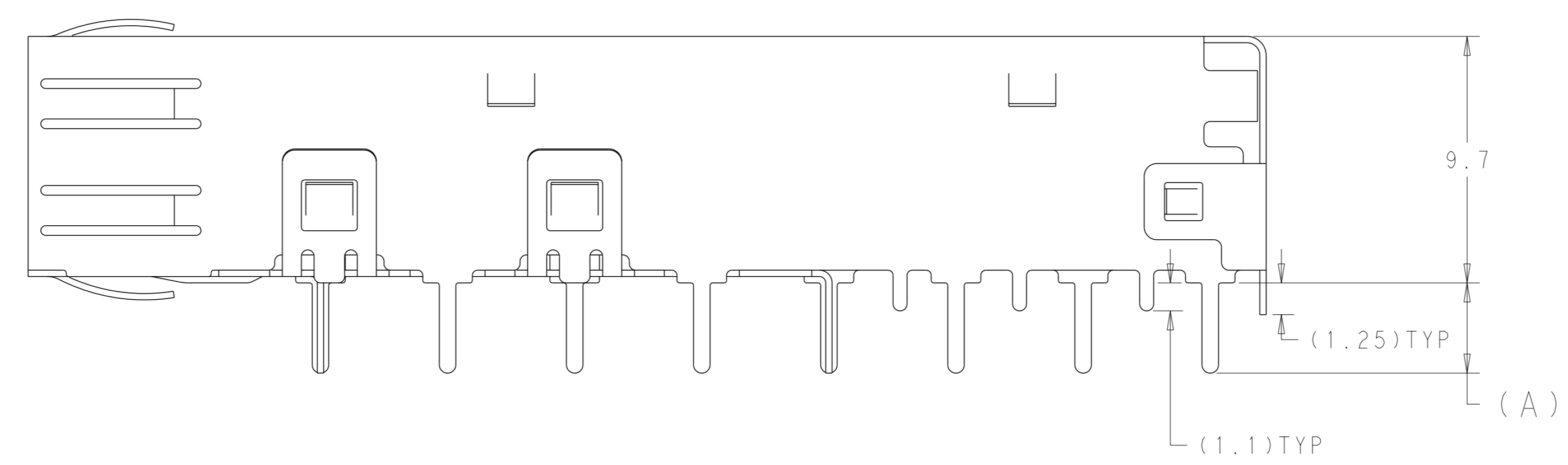
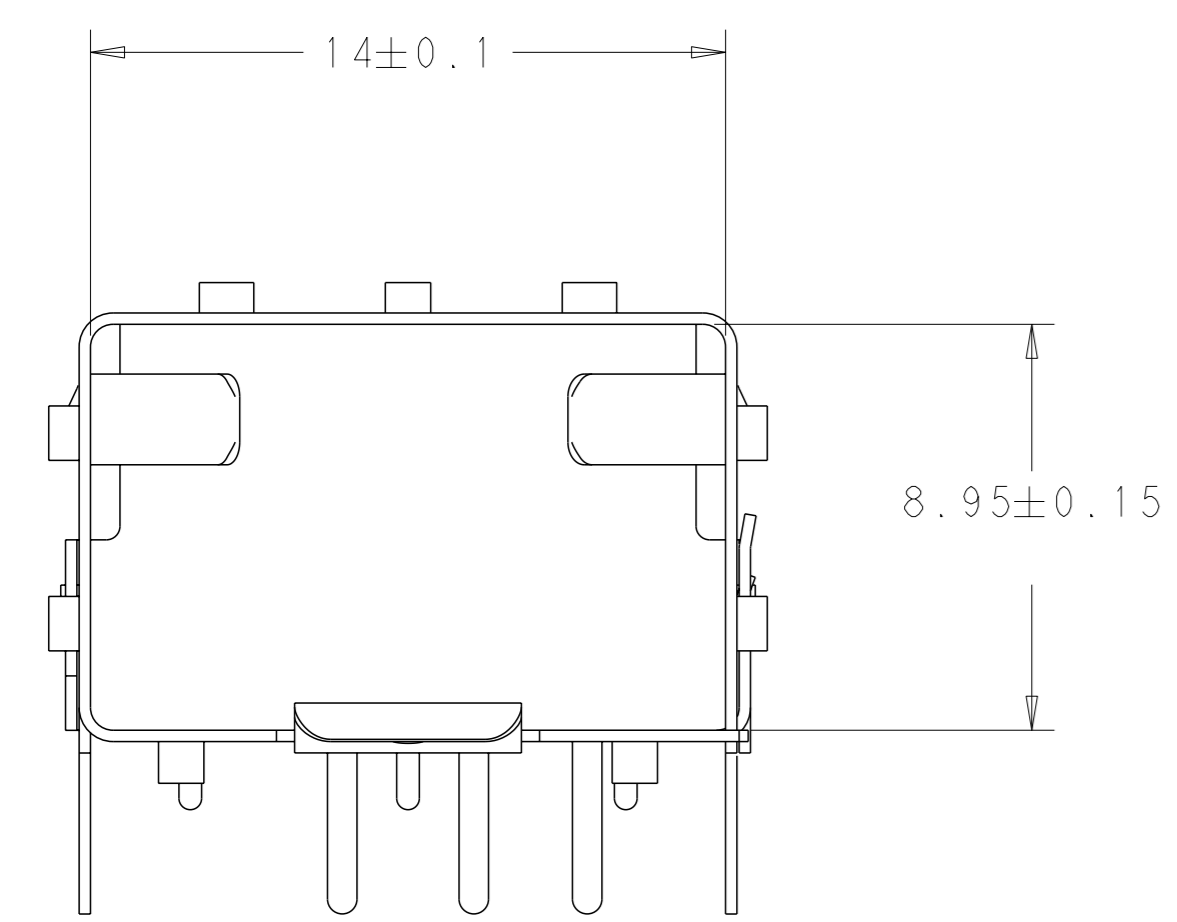
- △ MATERIAL: 0.25mm THICK STAINLESS STEEL.
- △ FINISH: 0.00125mm Min. NICKEL OVER ALL , 0.002mm Min. TIN DIPPED ON SOLDER TABS, NON PLATED EDGES PERMISSIBLE.
- 3. MATES WITH SFP MSA COMPLIANT TRANSCEIVERS.
- △ PADS AND VIAS CHASSIS GROUND.
- △ DATUM AND BASIC DIMENSION ESTABLISHED BY CUSTOMER.
- 6. MINIMUM PC BOARD THICKNESS:
 SINGLE SIDED = 1.50 mm
- △ REFERENCE APPLICATION SPEC. 114-13120, HOLE A, FOR RECOMMENDED DRILL HOLE DIAMETER AND PLATING THICKNESS.
- △ REFERENCE APPLICATION SPEC. 114-13120, HOLE C, FOR RECOMMENDED DRILL HOLE DIAMETER AND PLATING THICKNESS.
- △ ESD PROTECTION PACKAGE.
- △ WITHOUT THREE LOCATION PINS
- △ WITHOUT EMI SPRING
- △ WITH CUSTOMIZED HEATSINK OPEN
- △ PRELIMINARY PART



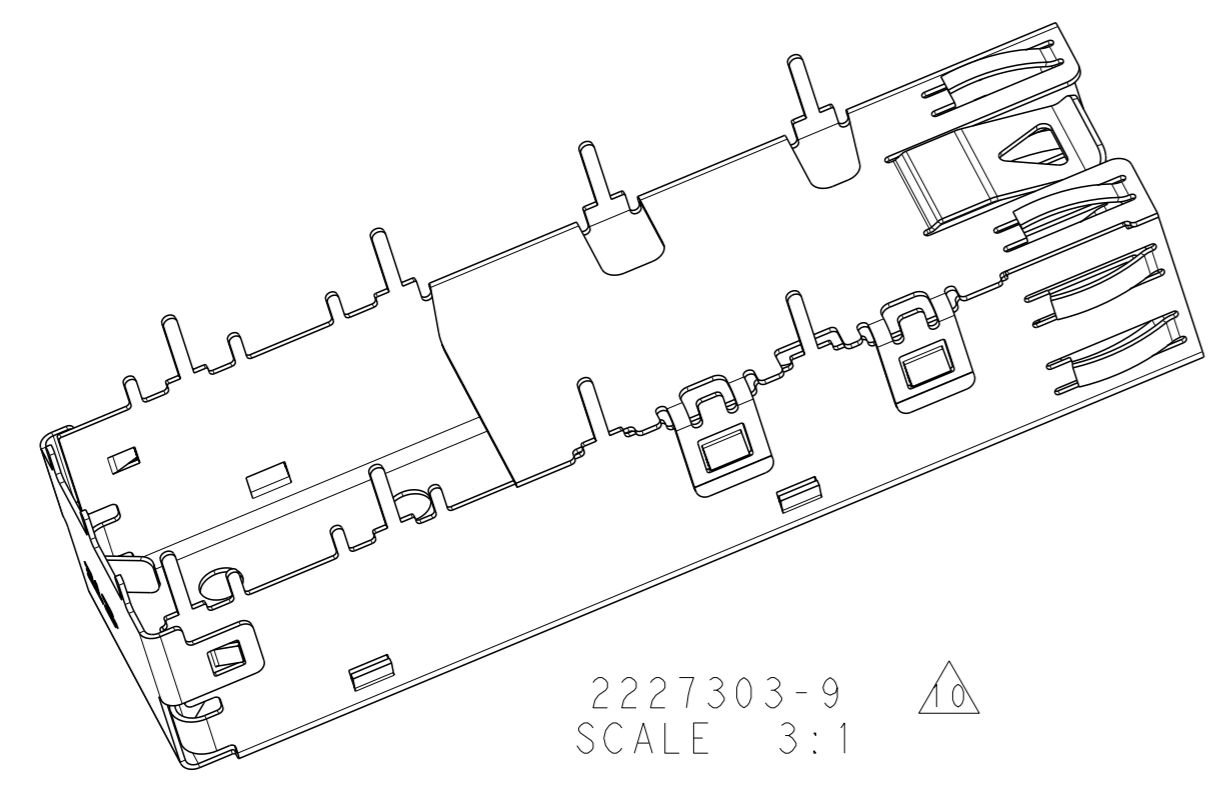
1-2227303-1



2-2227303-2, 2-2227303-4



| DESCRIPTION | PACKAGING | A | PART NUMBER |
|--|-----------|------|-------------|
| WITHOUT EMI SPRING | REEL | 1.80 | 3-2227303-2 |
| WITH HEATSINK OPEN | △ REEL | 1.25 | 2-2227303-4 |
| WITH HEATSINK OPEN | △ REEL | 1.25 | 2-2227303-2 |
| WITHOUT EMI SPRING | △ TRAY | 3.55 | 1-2227303-1 |
| WITHOUT LOCATION PIN | △ TRAY | 3.55 | 2227303-9 |
| ALL PINS 3.55 LENGTH | △ TRAY | 3.55 | 2227303-7 |
| STANDARD TYPE WITH AIR VENTS, EMI SPRING, LOCATION PIN | △ REEL | 1.25 | 1-2227303-3 |
| | △ REEL | 1.80 | 1-2227303-2 |
| | TRAY | 1.80 | 2227303-3 |
| | REEL | 1.80 | 2227303-2 |
| | TRAY | 3.55 | 2227303-1 |



2227303-9
 SCALE 3:1

THIS DRAWING IS A CONTROLLED DOCUMENT. DIMENSIONING AND TOLERANCING PER ASME Y14.5M-2009.

OWN: C. VALENTINE 19OCT2012
 CHK: M. SCHMITT 19OCT2012
 APVD: M. SCHMITT 19OCT2012

NAME: SFP, 1X1 SINGLE PIECE CAGE, SOLDER PIN

PRODUCT SPEC: 108-1950
 APPLICATION SPEC: 114-13120

MATERIAL: -
 FINISH: -

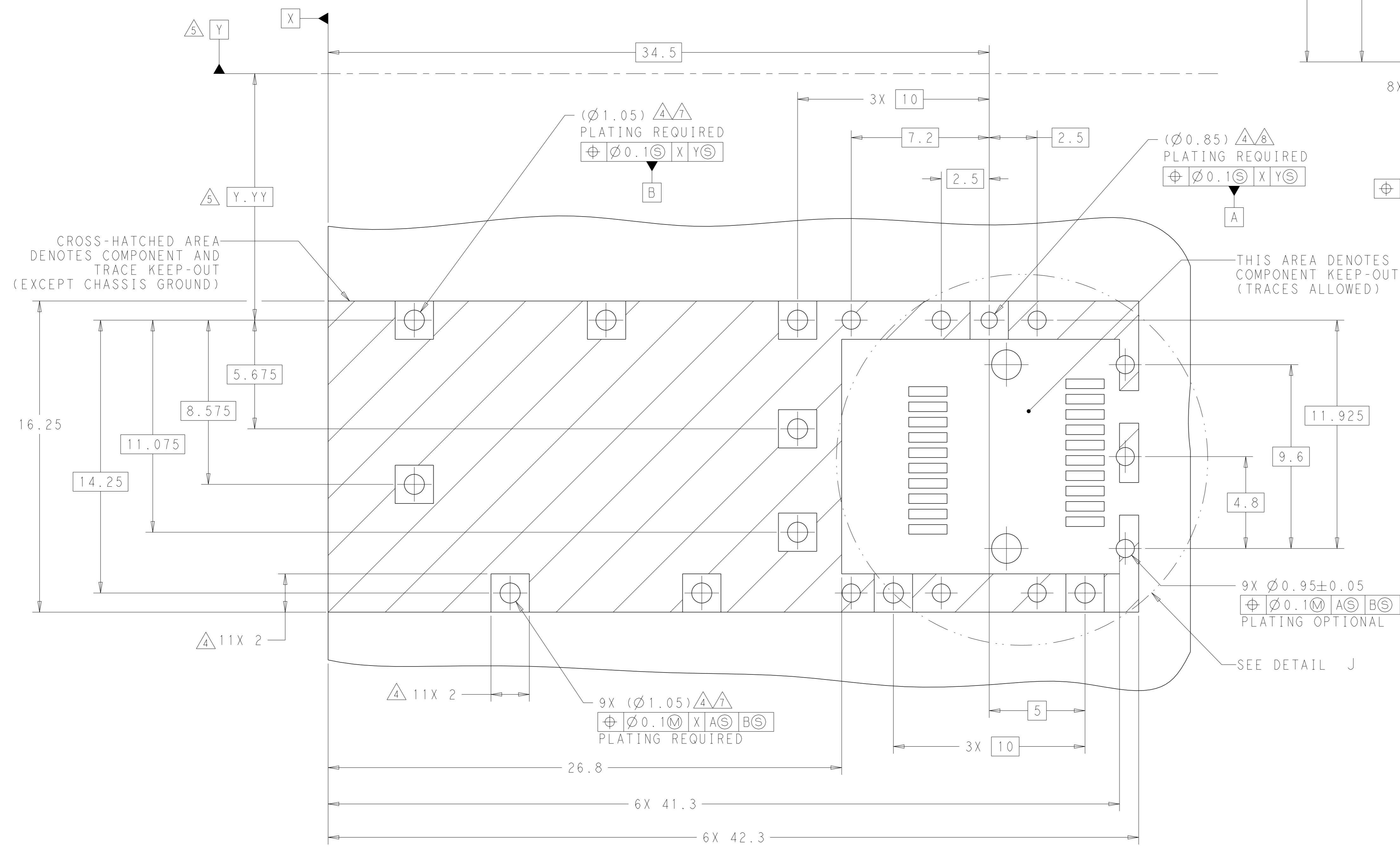
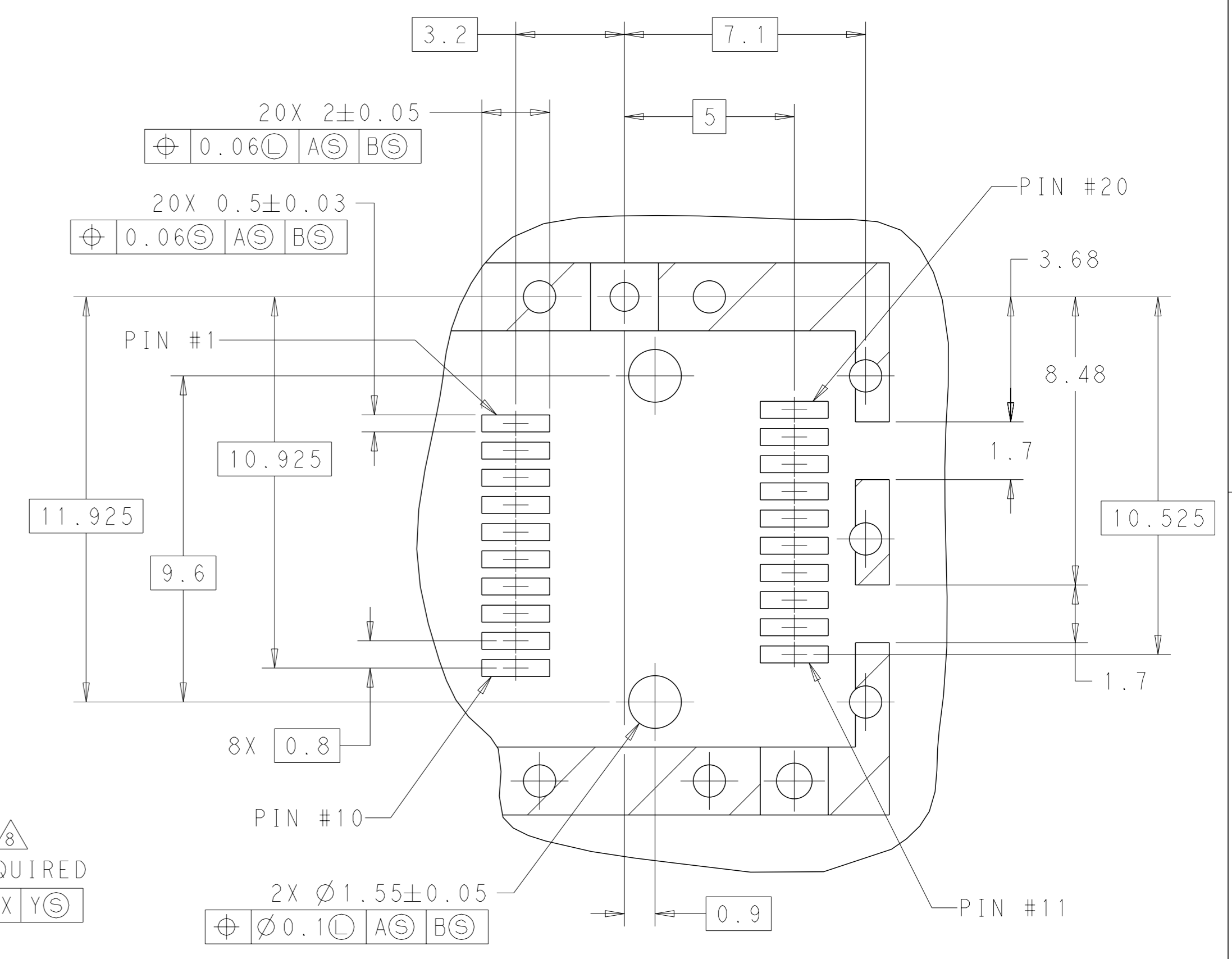
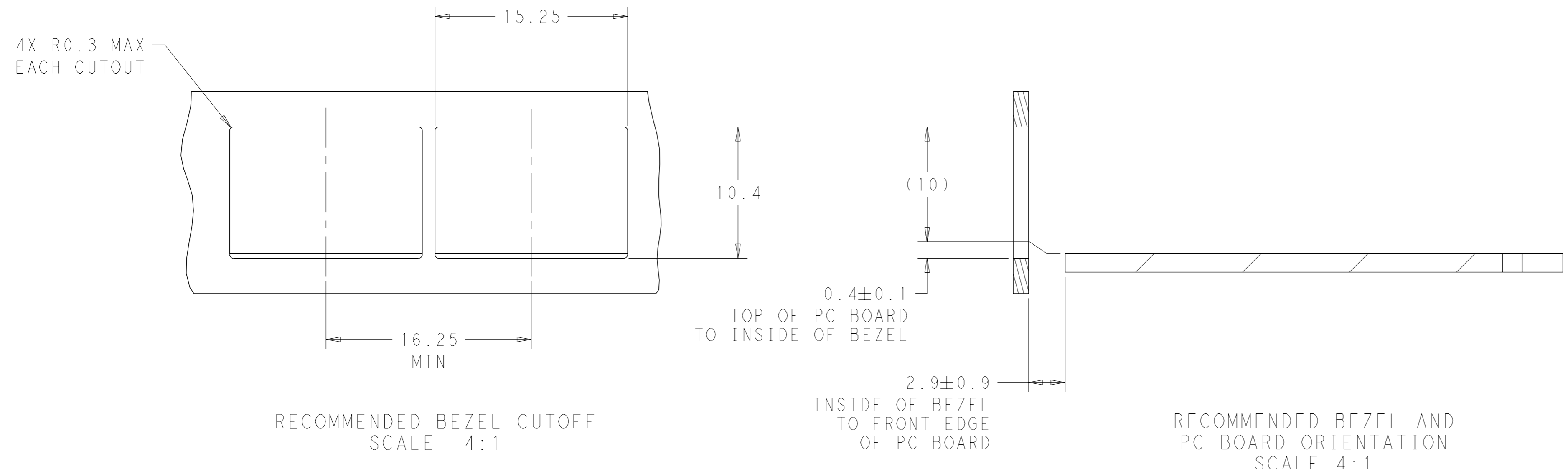
WEIGHT: -

Customer Drawing

SCALE: 6:1 SHEET 1 OF 3 REV: C3

STE TE Connectivity

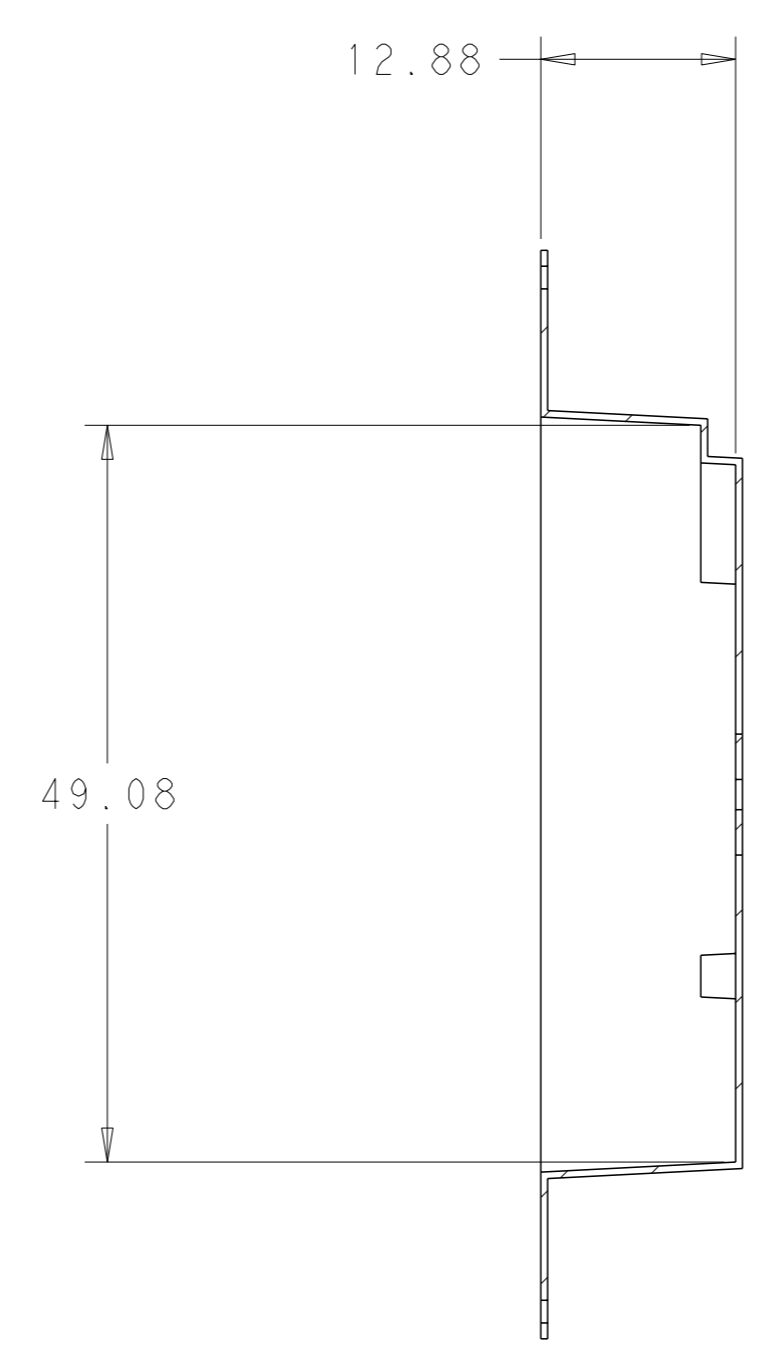
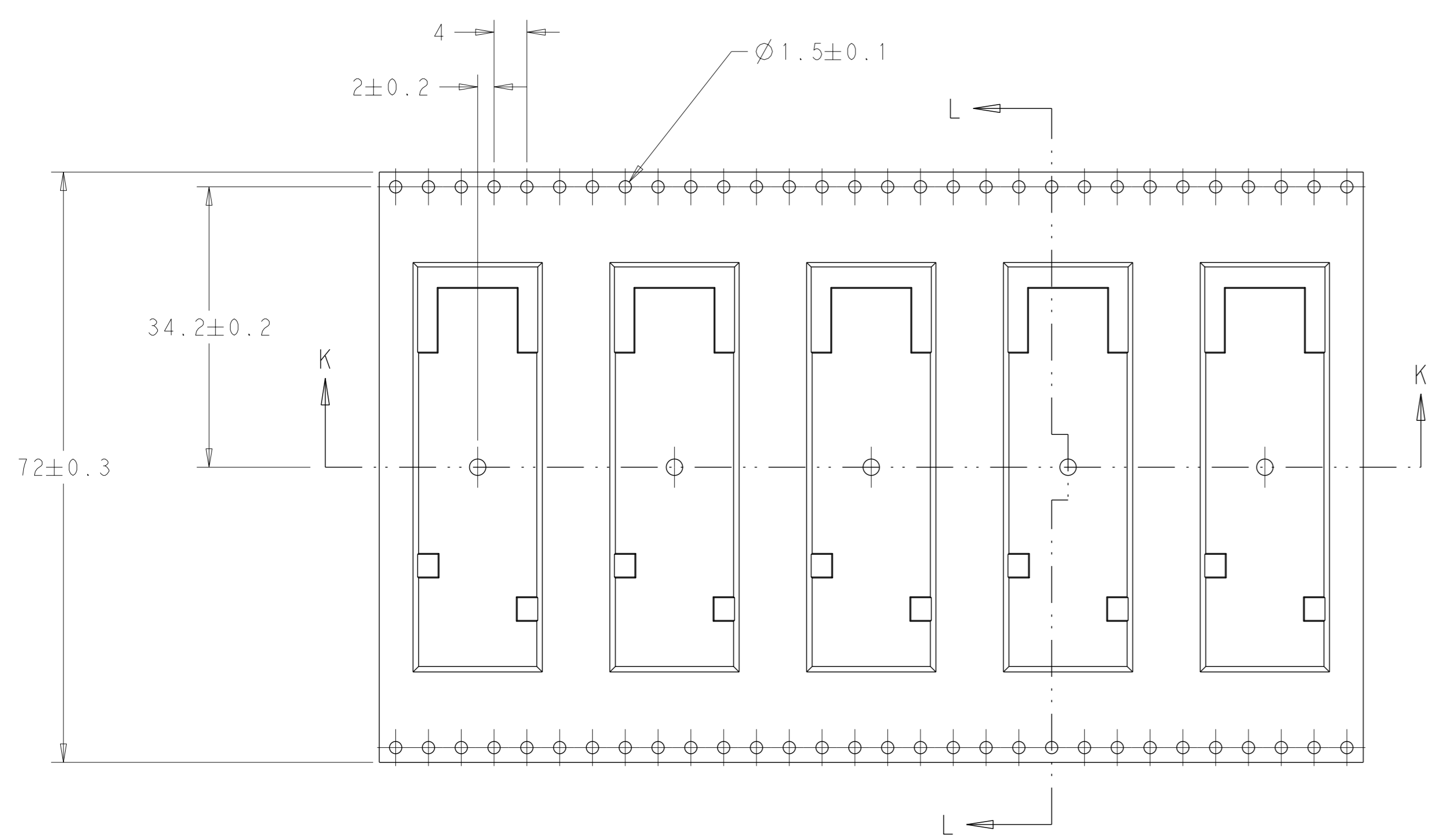
| LOC | DIST | REV | DESCRIPTION | DATE | OWN | APVD |
|-----|------|-----|-------------|------|-----|------|
| GP | 00 | | SEE SHEET 1 | | | |



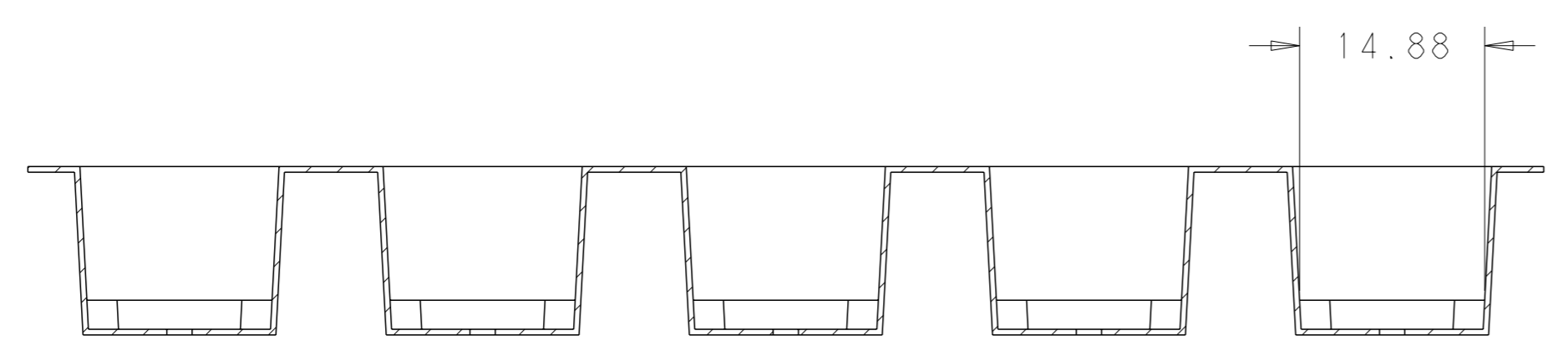
RECOMMENDED PCB LAYOUT SCALE 8:1

| | | | |
|---|--|-----------------------------|--|
| THIS DRAWING IS A CONTROLLED DOCUMENT. DIMENSIONING AND TOLERANCING PER ASME Y14.5M-2009. | | OWN: C. VALENTINE 19OCT2012 | TE Connectivity |
| DIMENSIONS: mm | | CHK: M. SCHMITT 19OCT2012 | |
| TOLERANCES UNLESS OTHERWISE SPECIFIED: | | APVD: M. SCHMITT 19OCT2012 | NAME: SFP, 1X1 SINGLE PIECE CAGE, SOLDER PIN |
| 0 PLC ±0.1 | | PRODUCT SPEC: 108-1950 | SIZE: - |
| 1 PLC ±0.1 | | APPLICATION SPEC: 114-13120 | RESTRICTED TO: - |
| 2 PLC ±0.1 | | WEIGHT: - | SCALE: 6:1 |
| 3 PLC ±0.1 | | Customer Drawing | SHEET 2 OF 3 |
| 4 PLC ±0.1 | | | REV: C3 |
| ANGLES: ±° | | | |
| FINISH: - | | | |

| LOC | DIST | REVISIONS | | | |
|-----|------|-------------|------|-----|------|
| P | LYR | DESCRIPTION | DATE | OWN | APVD |
| GP | 00 | SEE SHEET 1 | - | - | - |
| | | | | | |
| | | | | | |

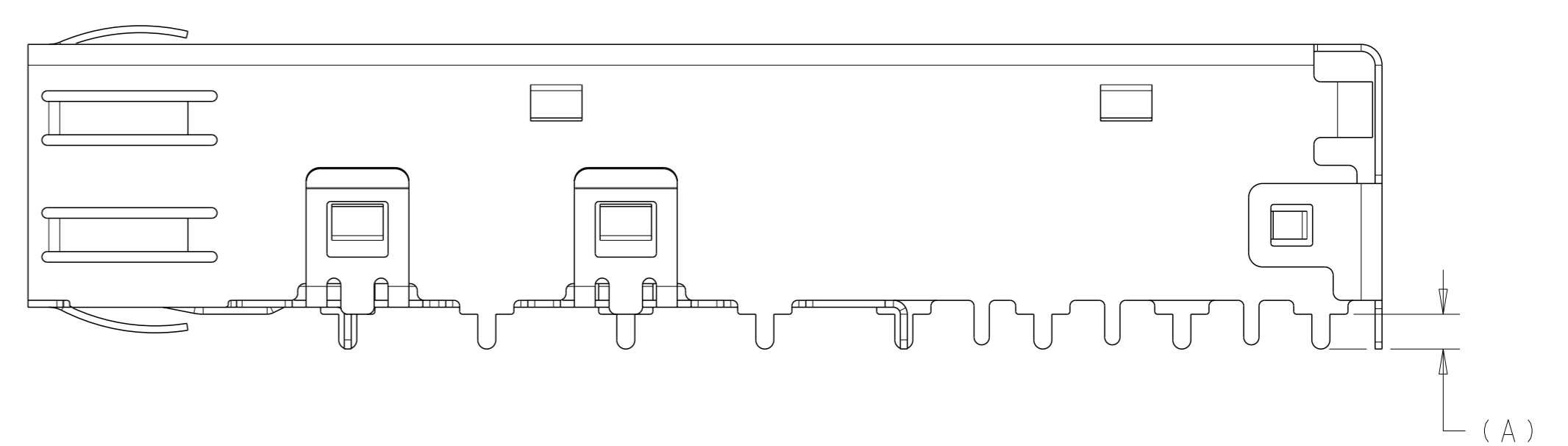
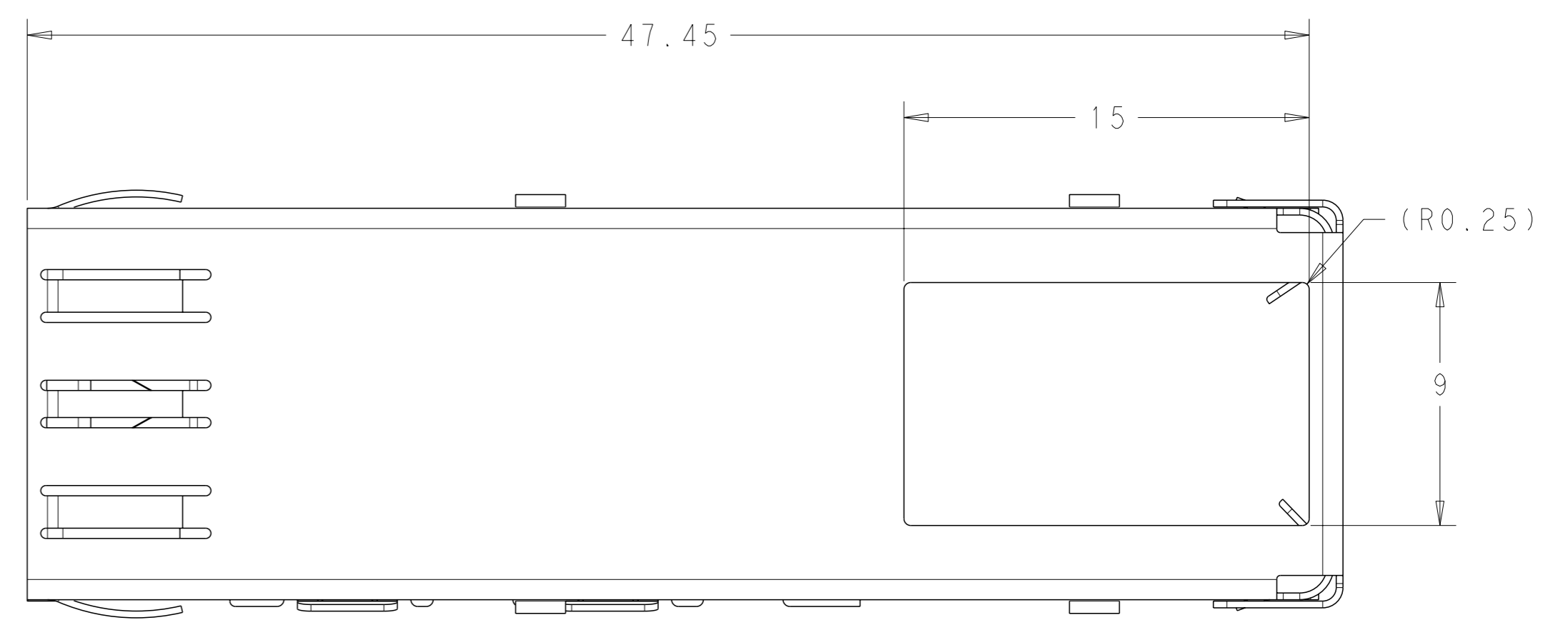


SECTION L-L

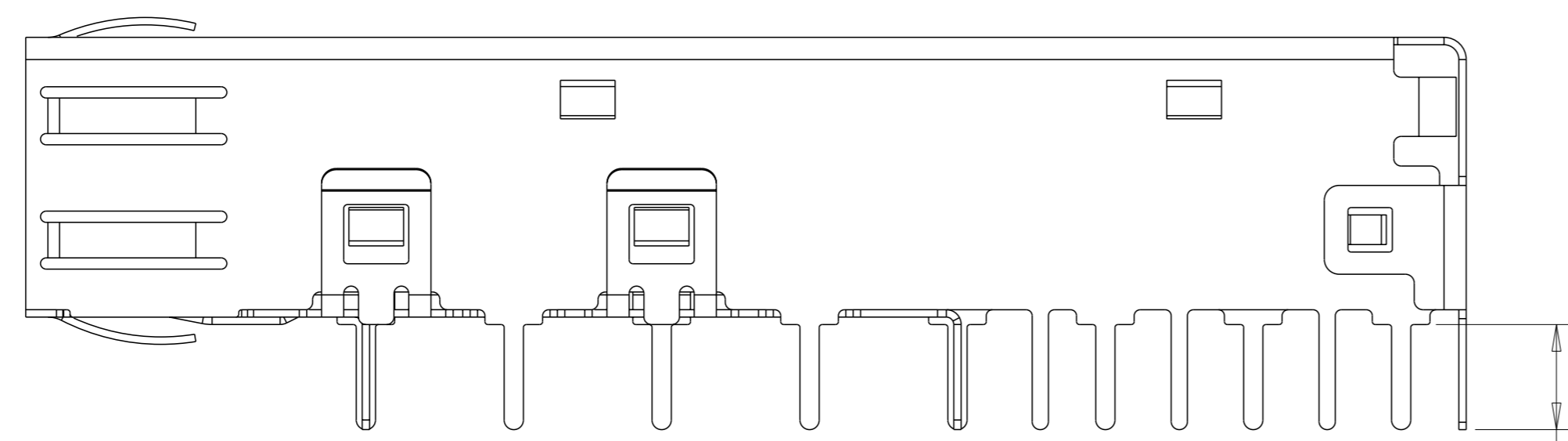
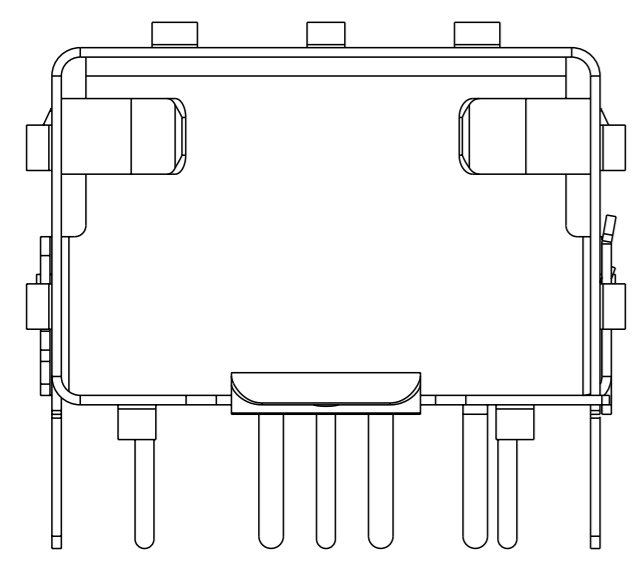


SECTION K-K
SCALE 2:1

2227303-2 / 1-222303-2 REEL PACKAGING



2-2227303-2 AS SHOWN
UNMARKED DIMENSIONS SAME AS 2227303-1
SCALE 5:1



(A)
APPLIED ALL PINS

2227303-7
UNMARKED DIMENSIONS SAME AS 2227303-1
SCALE 5:1

| | | | |
|--|------------|----------------------------------|--|
| THIS DRAWING IS A CONTROLLED DOCUMENT. DIMENSIONING AND TOLERANCING PER ASME Y14.5M-2009 | | OWN C. VALENTINE 19OCT2012 | TE Connectivity |
| DIMENSIONS: mm | | CHK M. SCHMITT 19OCT2012 | |
| TOLERANCES UNLESS OTHERWISE SPECIFIED: | | APVD M. SCHMITT 19OCT2012 | NAME SFP, 1X1 SINGLE PIECE CAGE, SOLDER PIN |
| 0 PLC ±0.1 | 1 PLC ±0.1 | PRODUCT SPEC | SIZE 108-1950 |
| 2 PLC ±0.1 | 3 PLC ±0.1 | APPLICATION SPEC | CAGE CODE 114-13120 |
| 4 PLC ±0.1 | ANGLES ±° | FINISH | WEIGHT |
| MATERIAL | | Customer Drawing | RESTRICTED TO |
| SCALE 6:1 | | SHEET 3 OF 3 | REV C3 |

X-ON Electronics

Largest Supplier of Electrical and Electronic Components

Click to view similar products for [I/O Connectors](#) category:

Click to view products by [TE Connectivity](#) manufacturer:

Other Similar products are found below :

[571763P](#) [58098-0628](#) [72.250.1628.2](#) [72.250.2428.2](#) [74720-0505](#) [76.350.0729.0](#) [76871-1403](#) [FCN-244F080-G/1](#) [FCN-260A9920](#) [PCR-E36PM](#) [PCS-XE26MA+](#) [G38A71314B](#) [1571250010](#) [157-22500-3](#) [MS3471L14-19P L/C](#) [172501-4002](#) [172501-6002](#) [FCN-260C008-A/L0](#) [FCN-260C024-AL0](#) [FCN-261Z008](#) [2000314-1](#) [200331-1](#) [PCR-E36FC+](#) [PCS-E28FS+](#) [PCS-XE26SLFD+](#) [PCS-XE26SLFDT+](#) [G730VID08BDC24](#) [U90B2054081210](#) [38113800006](#) [DP3AR020WQ1R200](#) [Z4.102.0680.0](#) [500-1040](#) [500-1052](#) [500-1054](#) [ZP-4008-66L](#) [0709821002](#) [DX40-20P\(55\)](#) [5554841-1](#) [MS3474W18-8P-LC*](#) [U90B3054061110](#) [U65-E04-4020](#) [ZPF000000000097891](#) [747360449](#) [10099439-003C-TRLF](#) [10137239-0021LF](#) [E9320-001-01](#) [10137239-0011LF](#) [70289-001LF](#) [70.060.1028.0](#) [109029-ZZ](#)