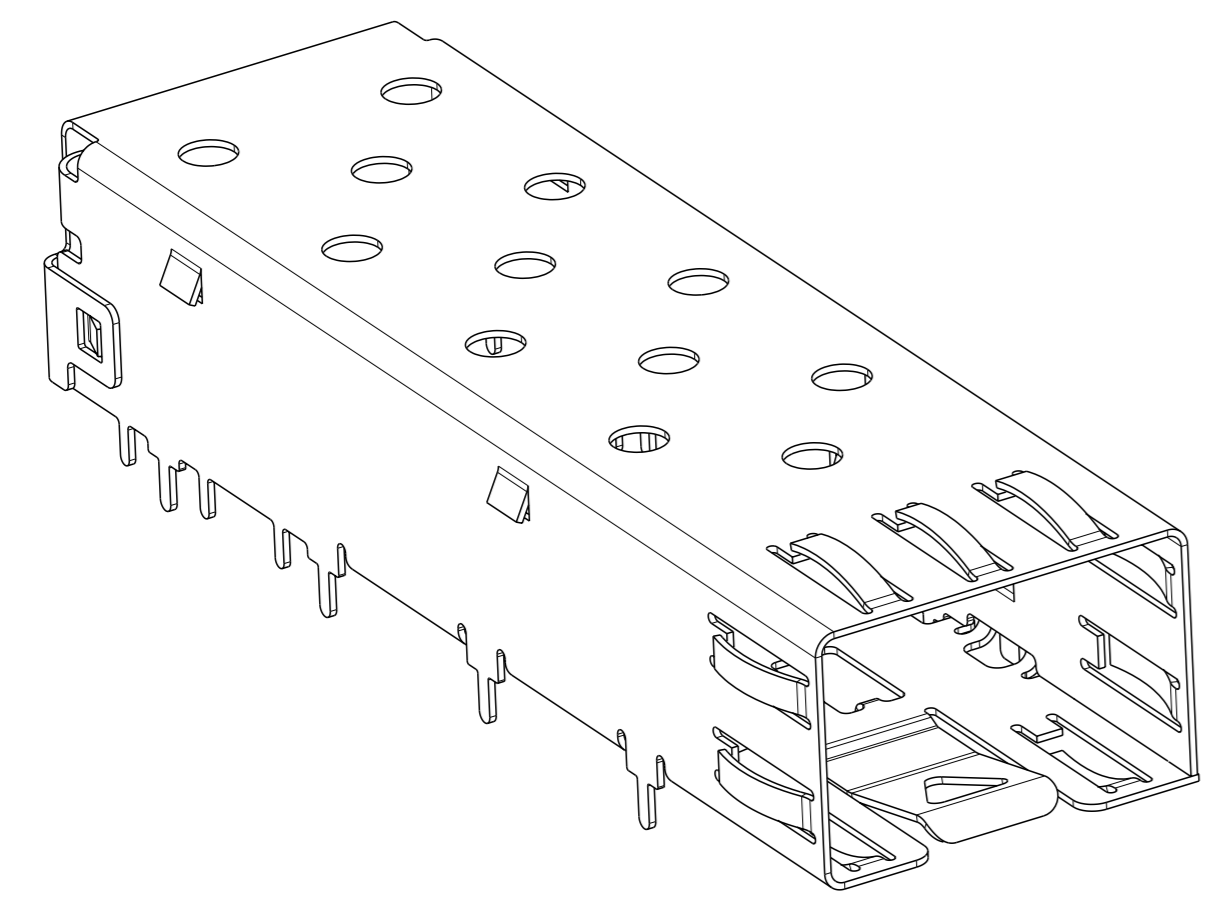
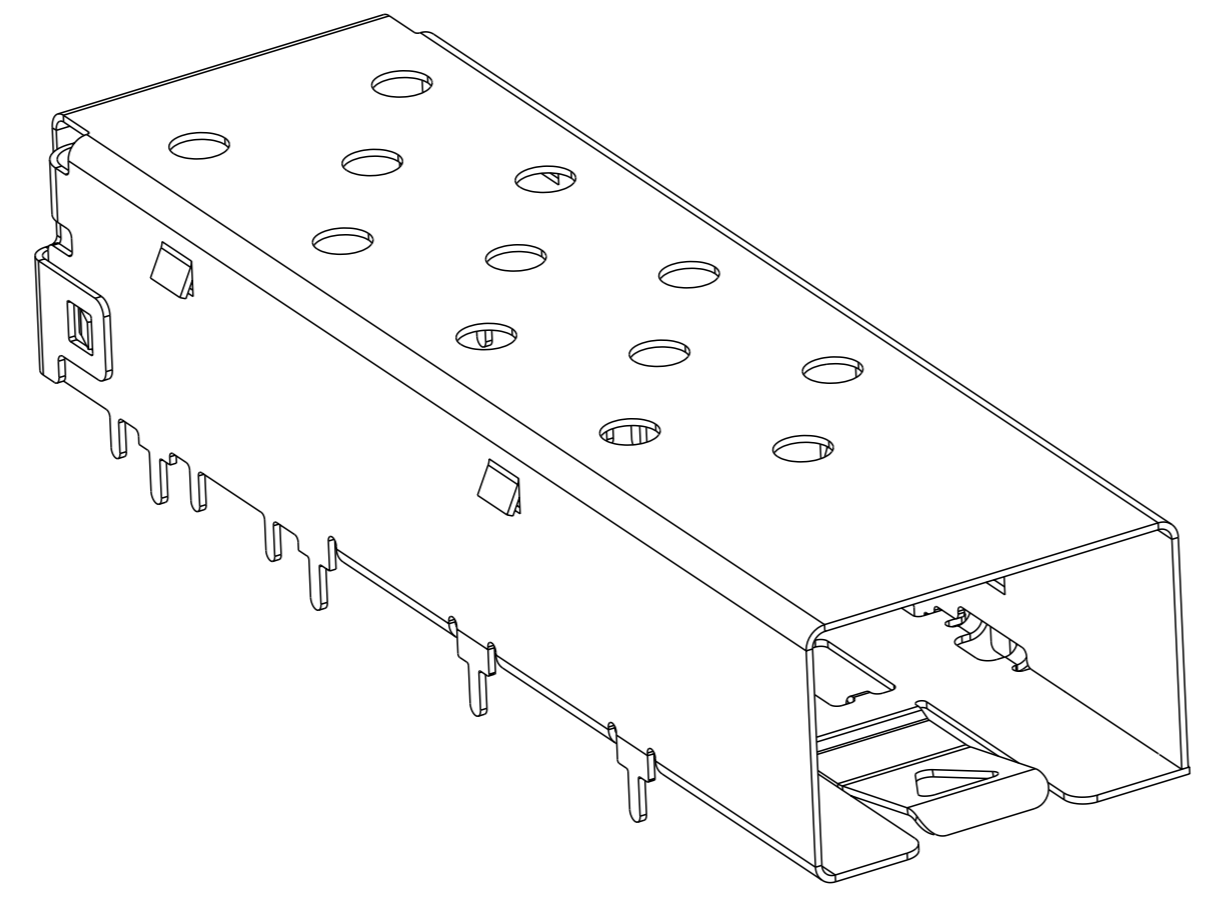


| LOC | DIST | REVISIONS |     |                              |           |     |      |
|-----|------|-----------|-----|------------------------------|-----------|-----|------|
| GP  | 00   | #         | LY# | DESCRIPTION                  | DATE      | OWN | APVD |
|     |      | C         |     | REVISED PER ECR-19-008054    | 22MAY2019 | IT  | SH   |
|     |      | C1        |     | ADD PN 2-4                   | 27AUG2019 | IT  | SH   |
|     |      | C2        |     | ADD PN 1-3 WITH 1.25MM TAILS | 15JUN2020 | IT  | SH   |
|     |      | C3        |     | ADD PN 3-2 PER ECN-21-106888 | 17MAY2021 | SZ  | SZ   |

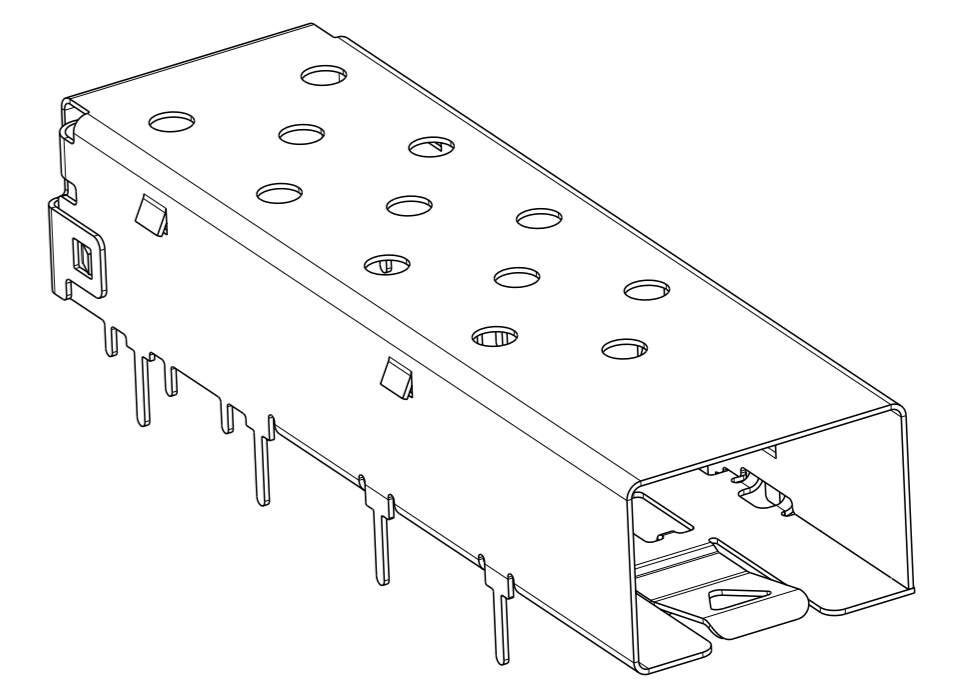


2227303-1, -2, -3, -7  
 1-2227303-2/3

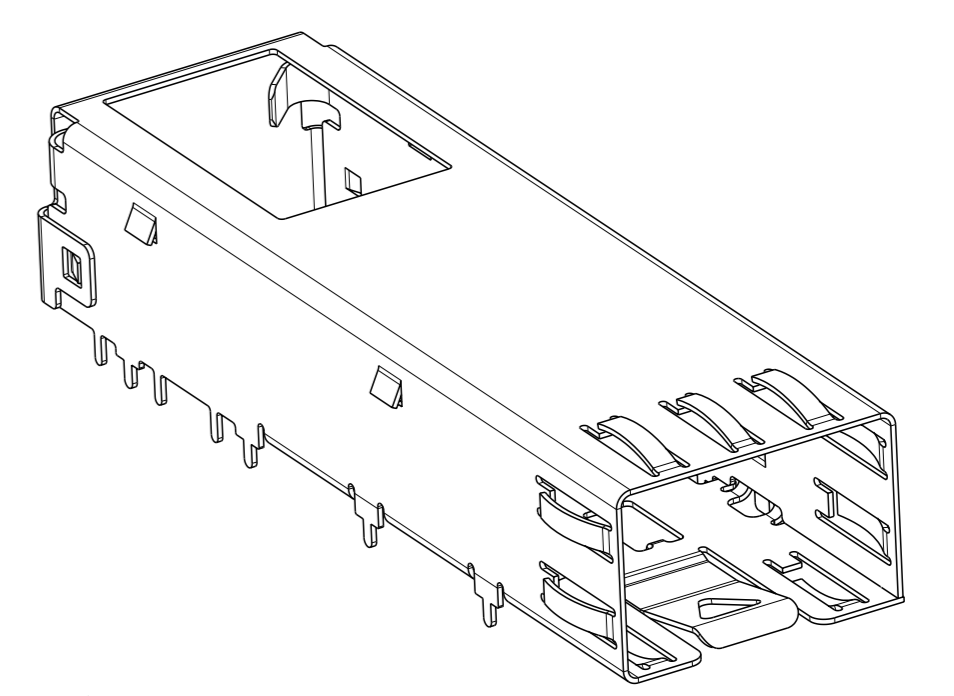
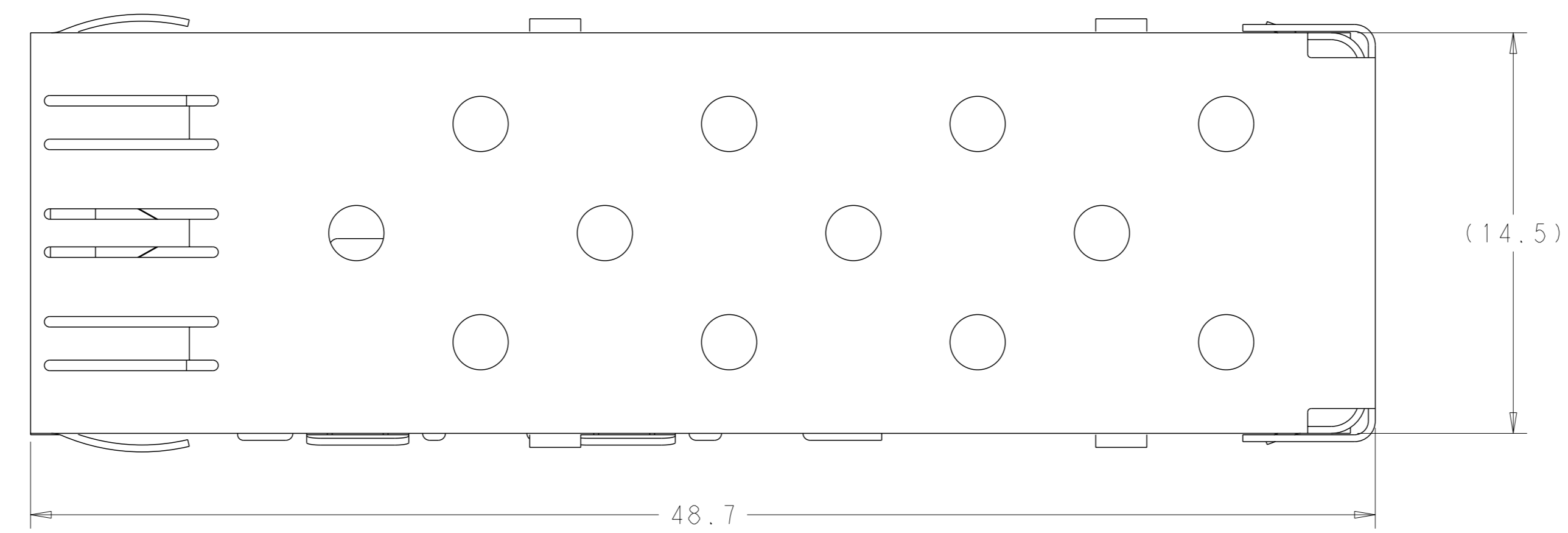


3-2227303-2

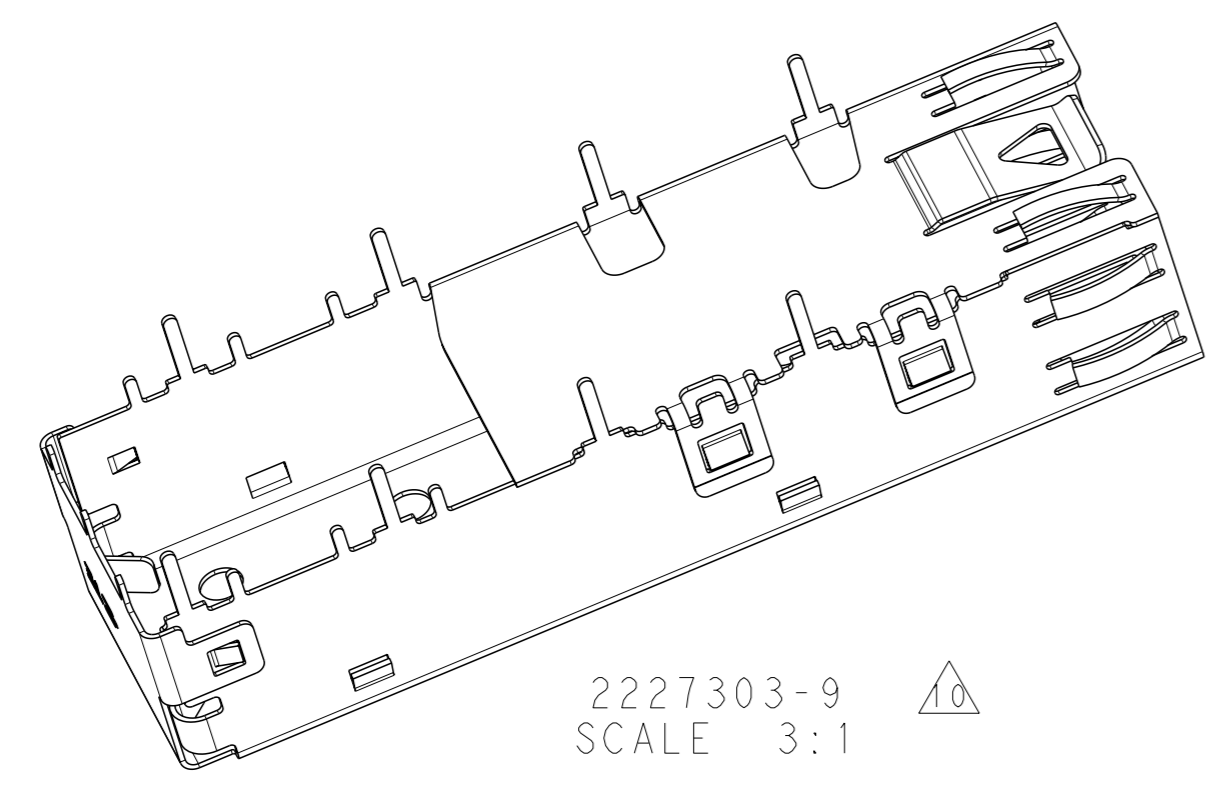
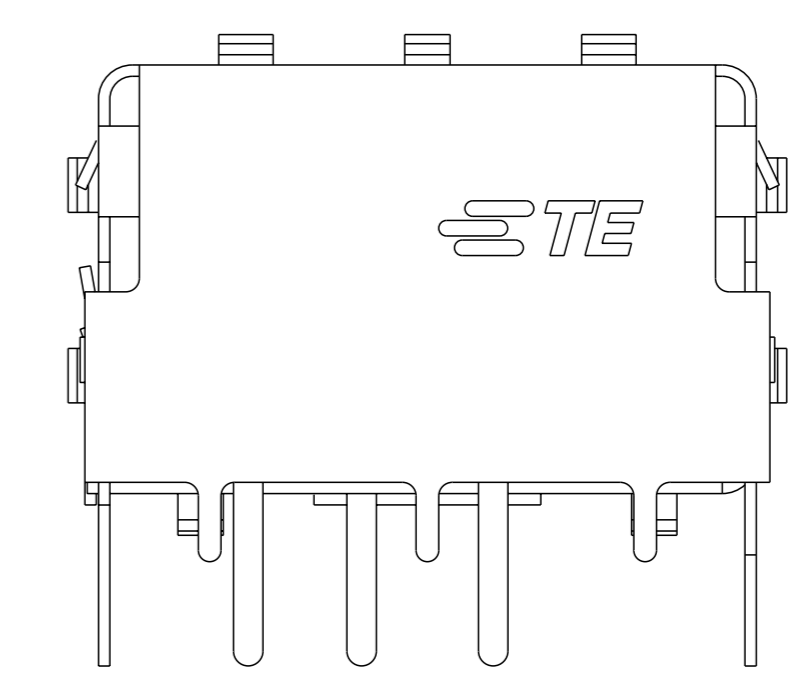
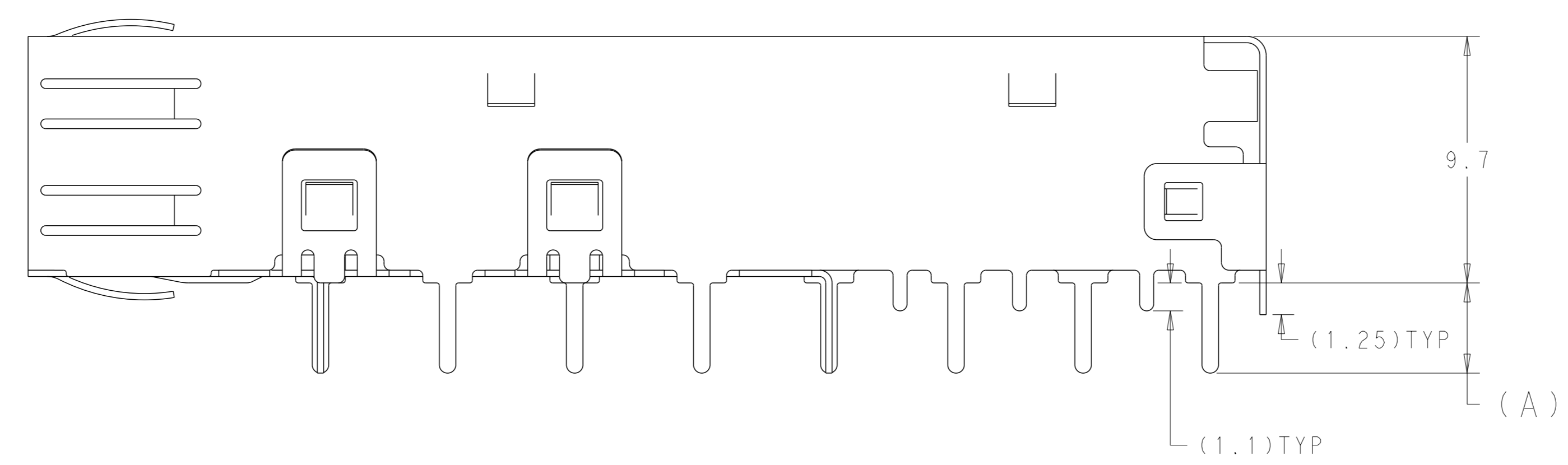
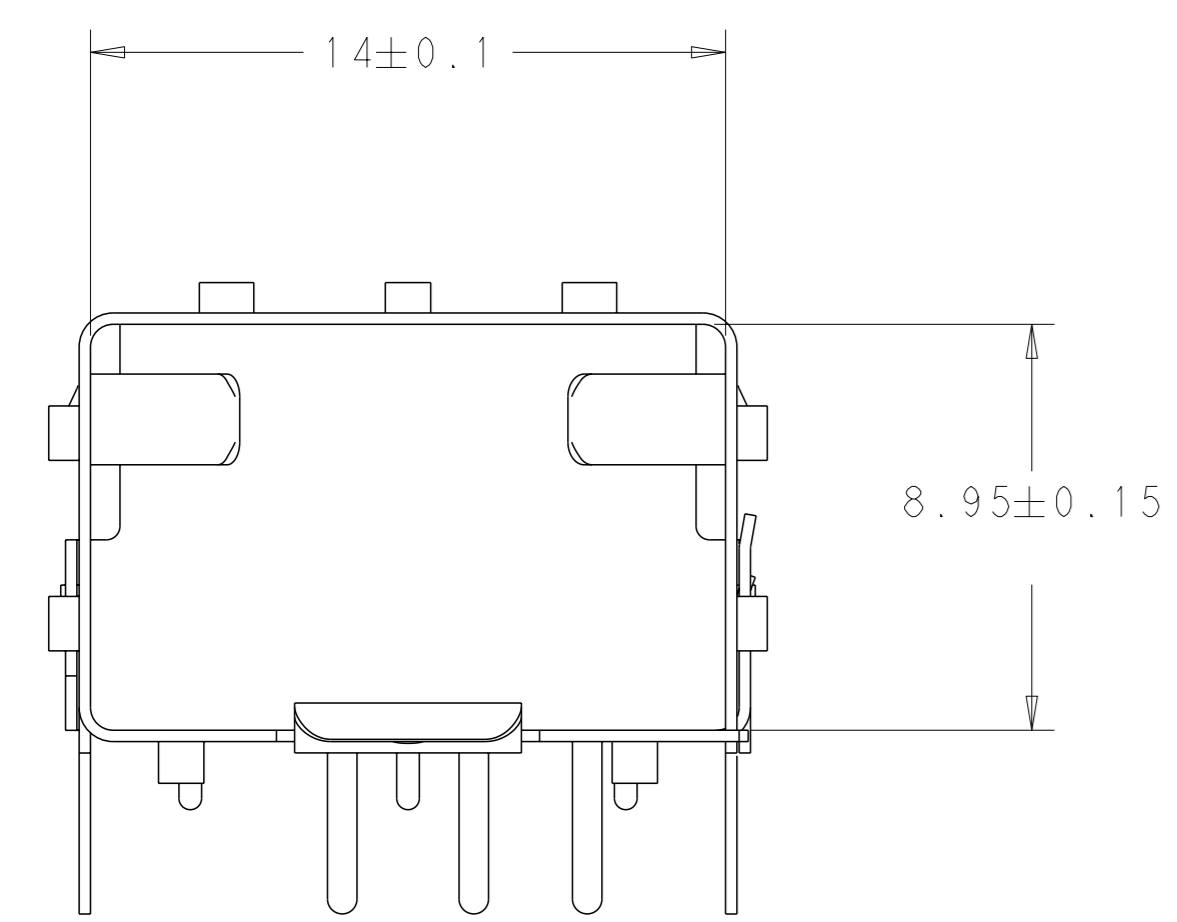
- △ MATERIAL: 0.25mm THICK STAINLESS STEEL.
- △ FINISH: 0.00125mm Min. NICKEL OVER ALL , 0.002mm Min. TIN DIPPED ON SOLDER TABS, NON PLATED EDGES PERMISSIBLE.
- 3. MATES WITH SFP MSA COMPLIANT TRANSCEIVERS.
- △ PADS AND VIAS CHASSIS GROUND.
- △ DATUM AND BASIC DIMENSION ESTABLISHED BY CUSTOMER.
- 6. MINIMUM PC BOARD THICKNESS:  
 SINGLE SIDED = 1.50 mm
- △ REFERENCE APPLICATION SPEC. 114-13120, HOLE A, FOR RECOMMENDED DRILL HOLE DIAMETER AND PLATING THICKNESS.
- △ REFERENCE APPLICATION SPEC. 114-13120, HOLE C, FOR RECOMMENDED DRILL HOLE DIAMETER AND PLATING THICKNESS.
- △ ESD PROTECTION PACKAGE.
- △ WITHOUT THREE LOCATION PINS
- △ WITHOUT EMI SPRING
- △ WITH CUSTOMIZED HEATSINK OPEN
- △ PRELIMINARY PART



1-2227303-1



2-2227303-2, 2-2227303-4

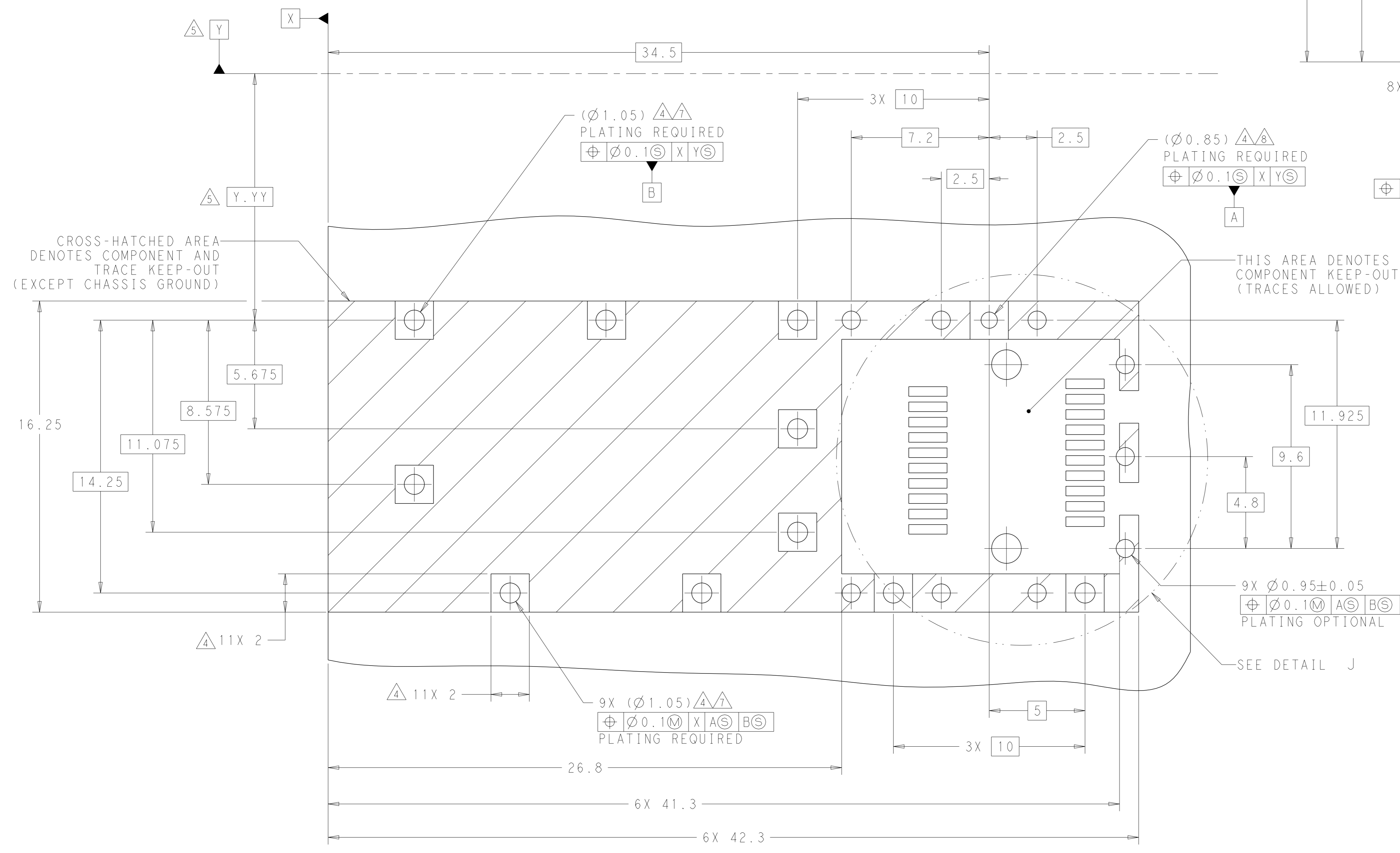
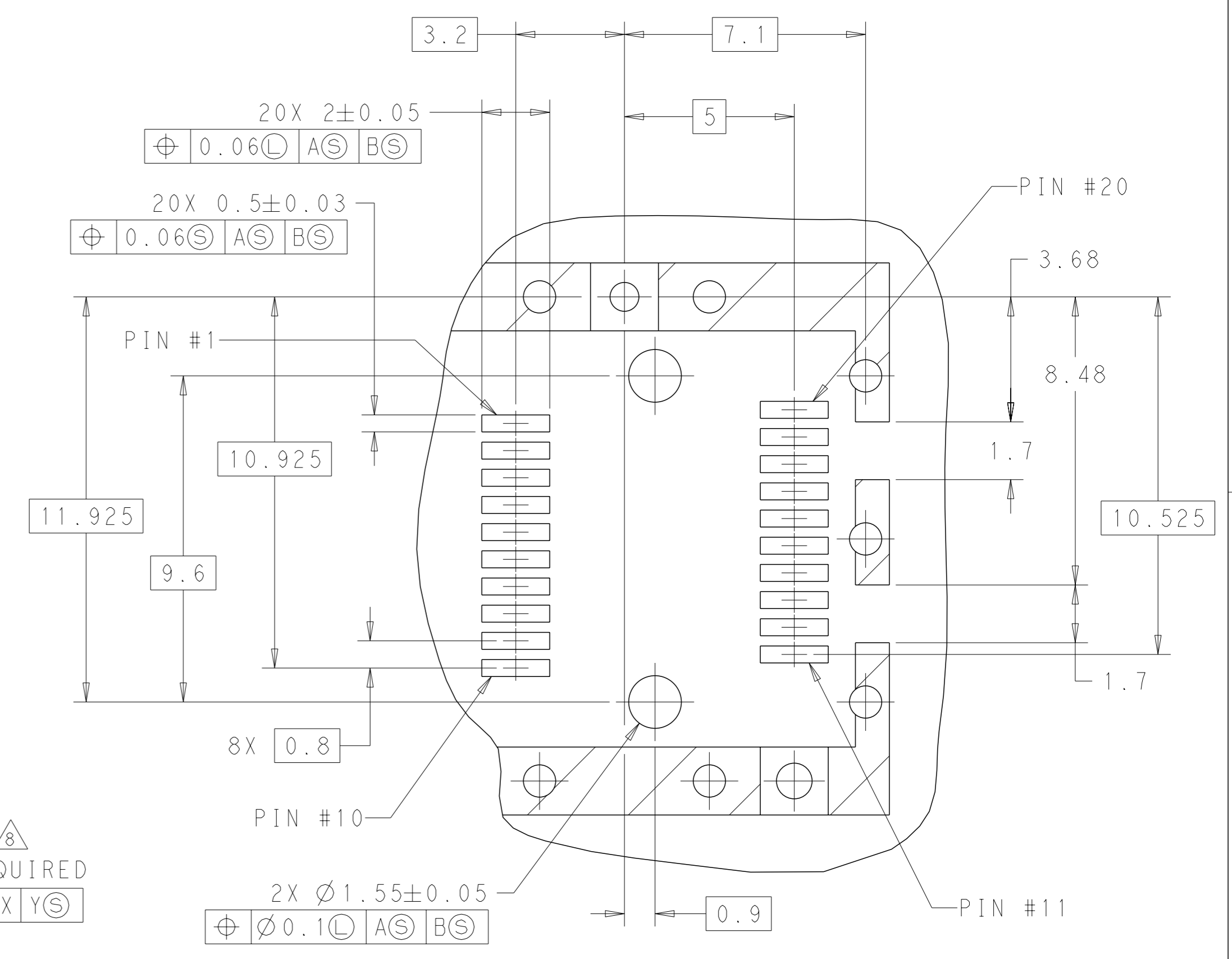
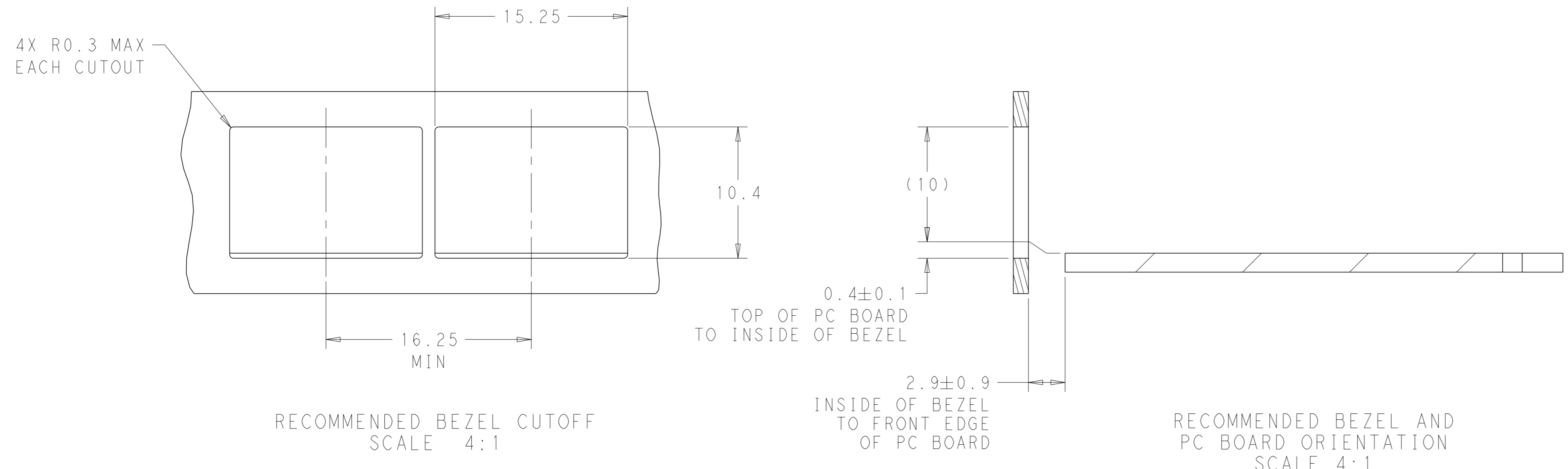


2227303-9  
 SCALE 3:1

|  |           |      |             |
|--|-----------|------|-------------|
| WITHOUT EMI SPRING   | REEL      | 1.80 | 3-2227303-2 |
| WITH HEATSINK OPEN   | △ REEL    | 1.25 | 2-2227303-4 |
| WITH HEATSINK OPEN   | △ REEL    | 1.25 | 2-2227303-2 |
| WITHOUT EMI SPRING   | △ TRAY    | 3.55 | 1-2227303-1 |
| WITHOUT LOCATION PIN   | △ TRAY    | 3.55 | 2227303-9   |
| ALL PINS 3.55 LENGTH   | △ TRAY    | 3.55 | 2227303-7   |
| STANDARD TYPE<br>WITH AIR VENTS, EMI<br>SPRING, LOCATION PIN | REEL      | 1.25 | 1-2227303-3 |
|  | △ REEL    | 1.80 | 1-2227303-2 |
|  | TRAY      | 1.80 | 2227303-3   |
|  | REEL      | 1.80 | 2227303-2   |
|  | TRAY      | 3.55 | 2227303-1   |
| DESCRIPTION  | PACKAGING | A    | PART NUMBER |

|   |   |                             |                           |                            |  |
|---|---|-----------------------------|---------------------------|----------------------------|--|
| THIS DRAWING IS A CONTROLLED DOCUMENT. DIMENSIONING AND TOLERANCING PER ASME Y14.5M-2009. |   | OWN: C. VALENTINE 19OCT2012 | CHK: M. SCHMITT 19OCT2012 | APVD: M. SCHMITT 19OCT2012 | NAME: SFP, 1X1 SINGLE PIECE CAGE, SOLDER PIN |
| DIMENSIONS:   | TOLERANCES UNLESS OTHERWISE SPECIFIED:  | STE                         |                           |                            | TE Connectivity                              |
| mm  | 0 PLC ±0.1<br>1 PLC ±0.1<br>2 PLC ±0.1<br>3 PLC ±0.1<br>4 PLC ±0.1<br>ANGLES ±° | PRODUCT SPEC: 108-1950      |                           |                            | RESTRICTED TO                                |
| MATERIAL:   | FINISH:   | APPLICATION SPEC: 114-13120 | SIZE: A1                  | CAGE CODE: 00779           | DRAWING NO: C=2227303                        |
| Customer Drawing  |   | WEIGHT:                     | SCALE: 6:1                | SHEET: 1 OF 3              | REV: C3                                      |

| LOC | DIST | REV | DESCRIPTION | DATE | OWN | APVD |
|-----|------|-----|-------------|------|-----|------|
| GP  | 00   |     | SEE SHEET 1 |      |     |      |



DETAIL J SCALE 8:1

THIS DRAWING IS A CONTROLLED DOCUMENT. DIMENSIONING AND TOLERANCING PER ASME Y14.5M-2009.

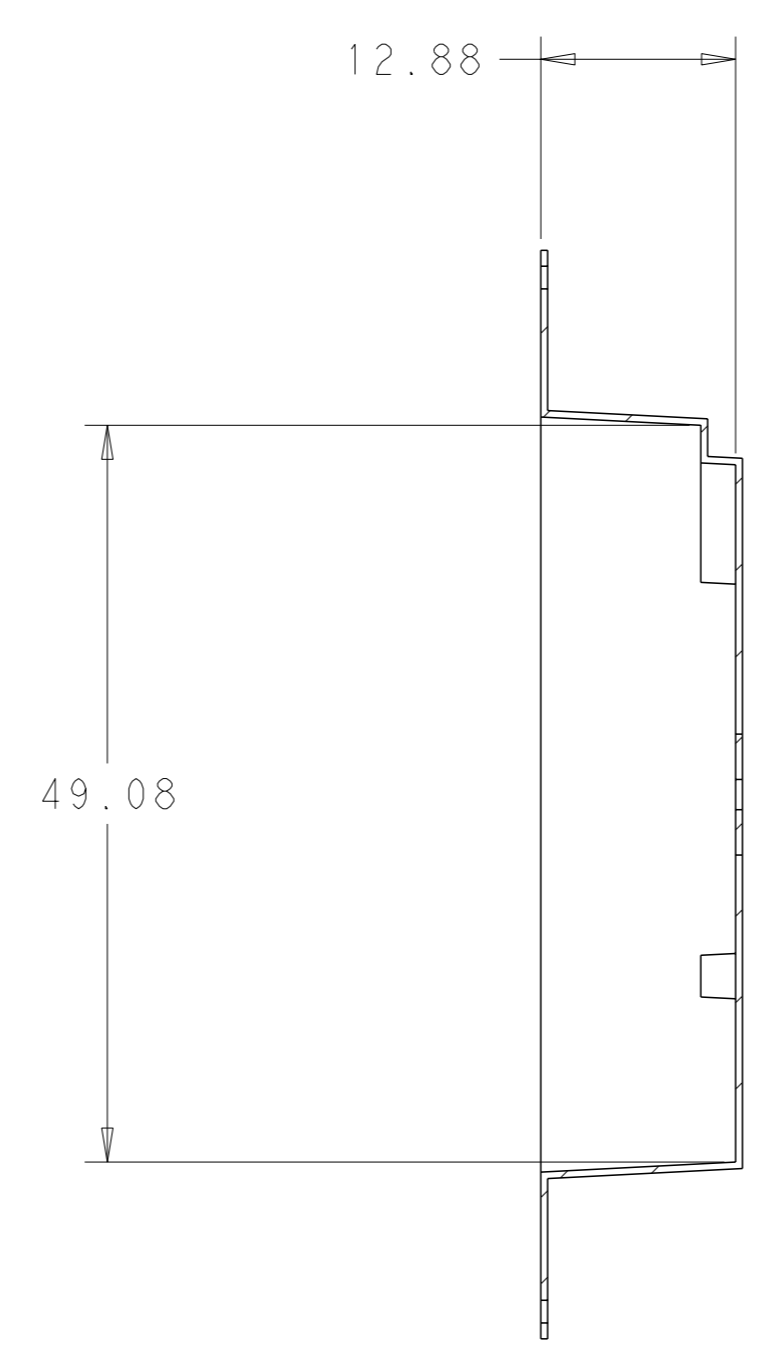
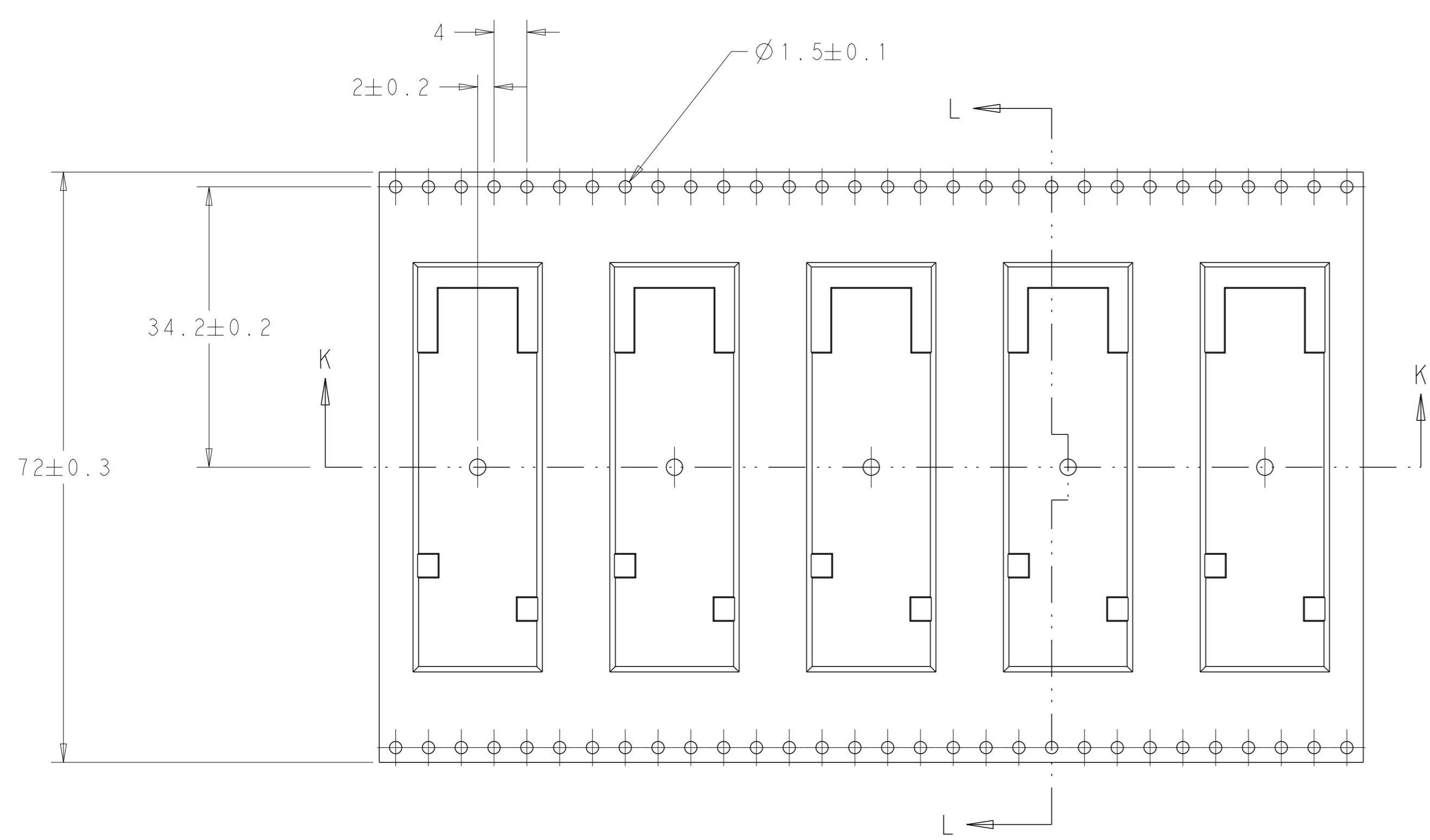
|             |  |            |            |            |            |            |           |
|-------------|--|------------|------------|------------|------------|------------|-----------|
| DIMENSIONS: | OTHER TOLERANCES UNLESS OTHERWISE SPECIFIED: | 0 PLC ±0.1 | 1 PLC ±0.1 | 2 PLC ±0.1 | 3 PLC ±0.1 | 4 PLC ±0.1 | ANGLES ±° |
|-------------|--|------------|------------|------------|------------|------------|-----------|

|          |        |        |                  |
|----------|--------|--------|------------------|
| MATERIAL | FINISH | WEIGHT | Customer Drawing |
|----------|--------|--------|------------------|

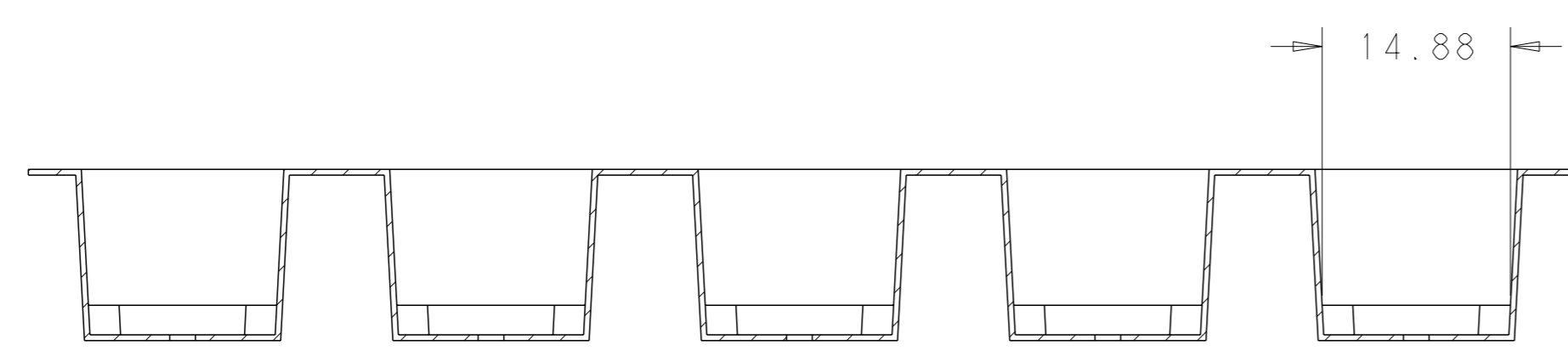
|                  |  |            |
|------------------|--|------------|
| OWN              | C. VALENTINE                           | 19OCT2012  |
| CHK              | M. SCHMITT                             | 19OCT2012  |
| APVD             | M. SCHMITT                             | 19OCT2012  |
| NAME             | SFP, 1X1 SINGLE PIECE CAGE, SOLDER PIN |            |
| PRODUCT SPEC     | 108-1950                               |            |
| APPLICATION SPEC | 114-13120                              |            |
| SIZE             | CAGE CODE                              | DRAWING NO |
| A1               | 00779                                  | 2227303    |
| RESTRICTED TO    | SCALE                                  | SHEET      |
| -                | 6:1                                    | 2 OF 3     |
| REV              | C3                                     |            |

STE TE Connectivity

| LOC | DIST | REVISIONS   |      |     |      |
|-----|------|-------------|------|-----|------|
| P   | LYR  | DESCRIPTION | DATE | OWN | APVD |
| GP  | 00   | SEE SHEET 1 | -    | -   | -    |
|     |      |             |      |     |      |
|     |      |             |      |     |      |

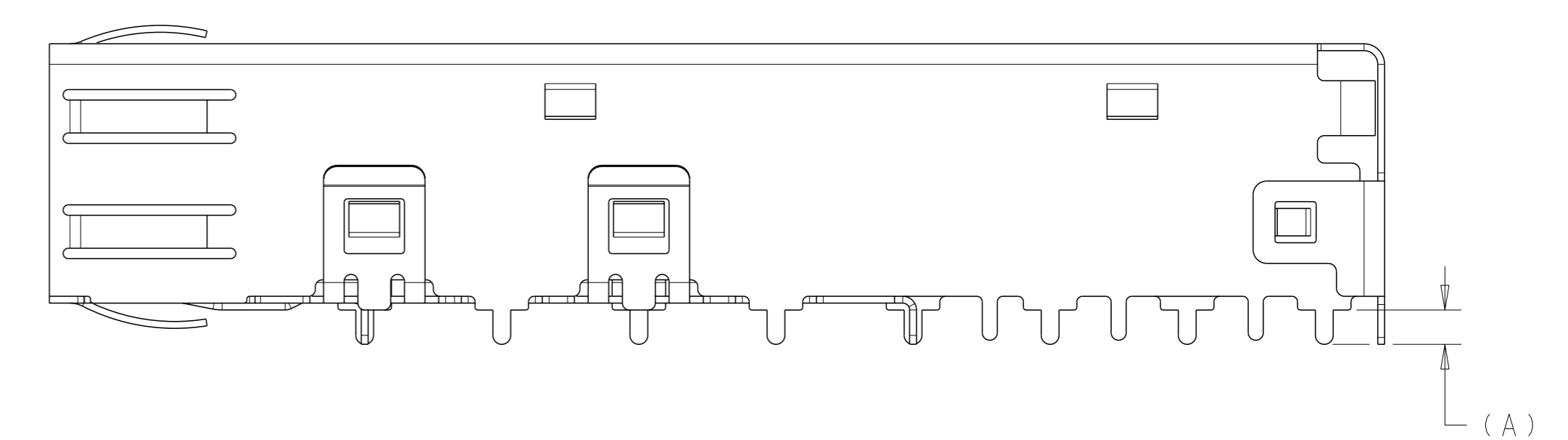
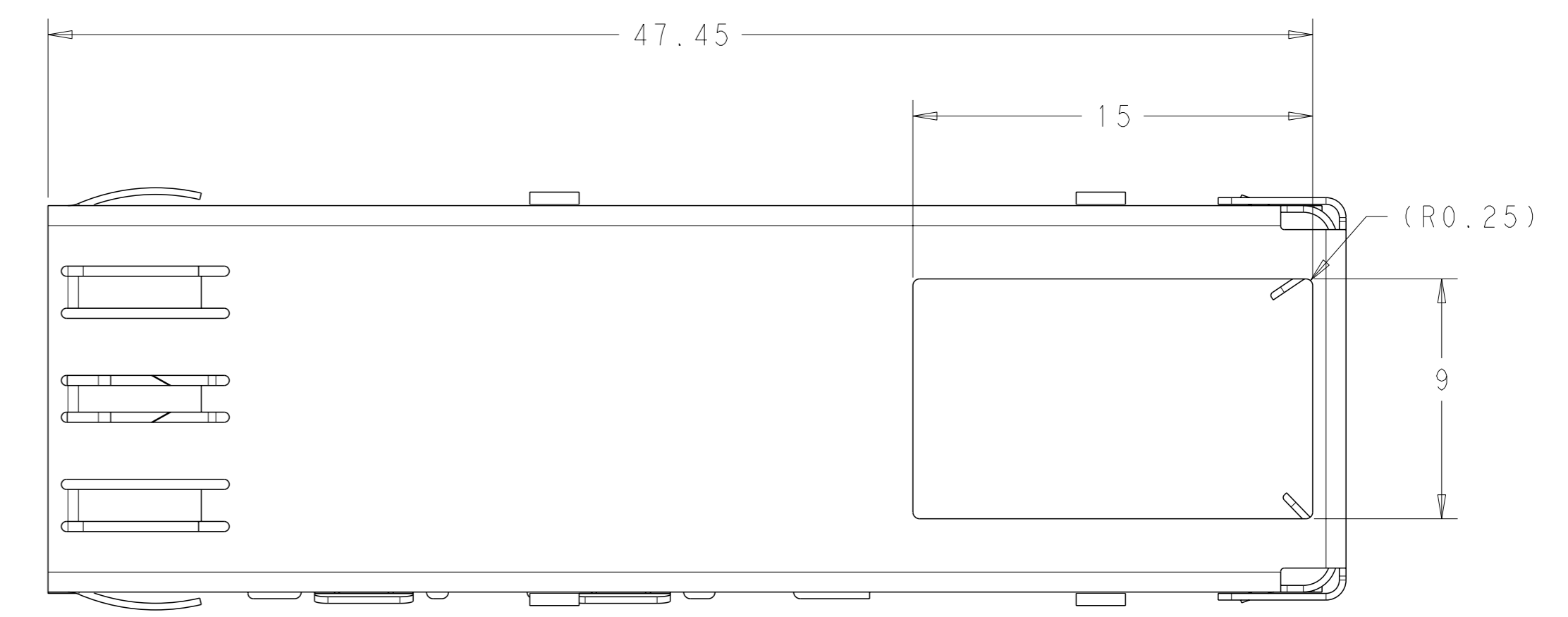


SECTION L-L

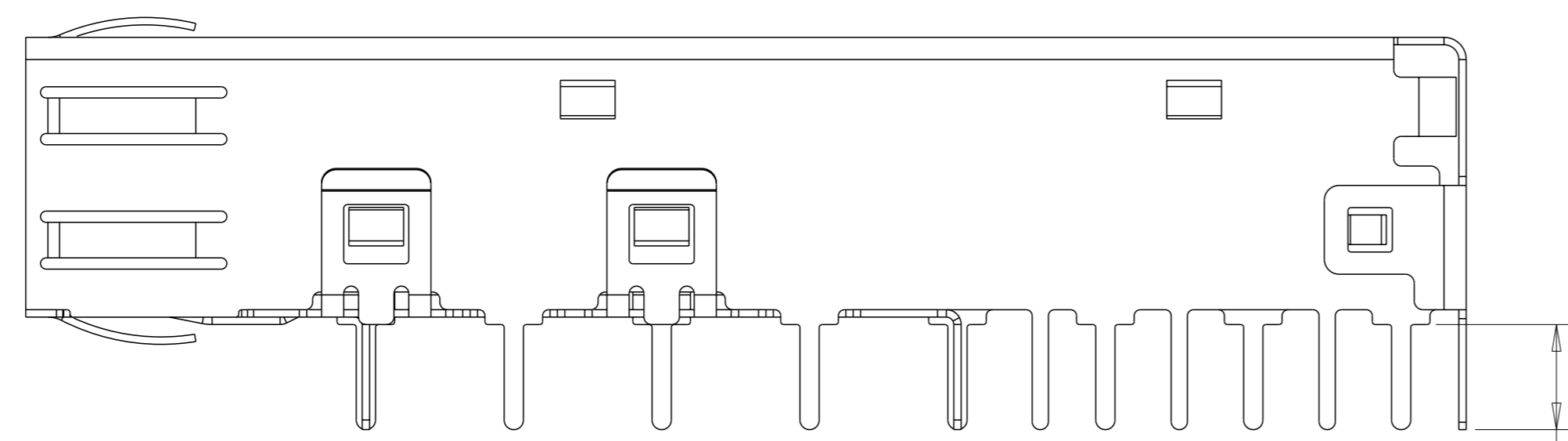
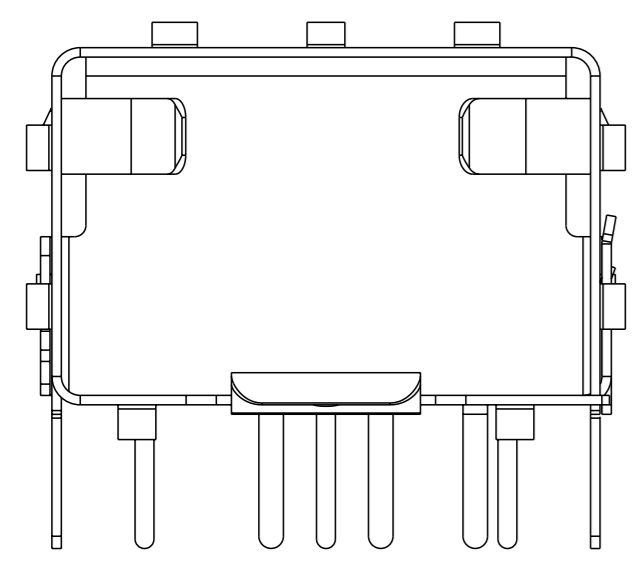


SECTION K-K  
SCALE 2:1

2227303-2 / 1-222303-2 REEL PACKAGING



2-2227303-2 AS SHOWN  
UNMARKED DIMENSIONS SAME AS 2227303-1  
SCALE 5:1



2227303-7  
UNMARKED DIMENSIONS SAME AS 2227303-1  
SCALE 5:1

(A)  
APPLIED ALL PINS

|   |           |                             |  |
|---|-----------|-----------------------------|--|
| THIS DRAWING IS A CONTROLLED DOCUMENT. DIMENSIONING AND TOLERANCING PER ASME Y14.5M-2009. |           | OWN: C. VALENTINE 19OCT2012 | TE Connectivity                              |
| DIMENSIONS: mm  |           | CHK: M. SCHMITT 19OCT2012   |  |
| TOLERANCES UNLESS OTHERWISE SPECIFIED:  |           | APVD: M. SCHMITT 19OCT2012  | NAME: SFP, 1X1 SINGLE PIECE CAGE, SOLDER PIN |
| 0 PLC   | $\pm 0.1$ | PRODUCT SPEC                | SIZE: CAGE CODE DRAWING NO                   |
| 1 PLC   | $\pm 0.1$ | APPLICATION SPEC            | RESTRICTED TO                                |
| 2 PLC   | $\pm 0.1$ | 108-1950                    | A100779C=2227303                             |
| 3 PLC   | $\pm 0.1$ | 114-13120                   | SCALE 6:1 SHEET 3 OF 3 REV C3                |
| 4 PLC   | $\pm$     | WEIGHT                      | Customer Drawing                             |
| ANGLES  | $\pm$     |                             |  |
| FINISH  |           |                             |  |

## X-ON Electronics

Largest Supplier of Electrical and Electronic Components

*Click to view similar products for [I/O Connectors](#) category:*

*Click to view products by [TE Connectivity](#) manufacturer:*

Other Similar products are found below :

[571763P](#) [58098-0628](#) [72.250.1628.2](#) [72.250.2428.2](#) [74720-0505](#) [76.350.0729.0](#) [76871-1403](#) [FCN-244F080-G/1](#) [FCN-260A9920](#) [MP-5T180MUNNA-005](#) [PCR-E36PM](#) [PCS-XE26MA+](#) [G38A71314B](#) [DX40-50P\(55\)](#) [1571250010](#) [157-22500-3](#) [MS3471L14-19P L/C](#) [91-569786-35H](#) [172501-4002](#) [172501-6002](#) [FCN-260C008-A/L0](#) [FCN-260C024-AL0](#) [FCN-261Z008](#) [2000314-1](#) [200331-1](#) [PCR-E36FC+](#) [PCS-E28FS+](#) [PCS-XE26SLFD+](#) [PCS-XE26SLFDT+](#) [G730VID08BDC24](#) [U90B2054081210](#) [UE86K842720321](#) [38113800006](#)  
[DP3AR020WQ1R200](#) [Z4.102.0680.0](#) [500-1040](#) [500-1052](#) [500-1054](#) [ZP-4008-66L](#) [0709821002](#) [10-565995-597N](#) [DX40-20P\(55\)](#) [5554841-1](#)  
[MS3474W18-8P-LC\\*](#) [U90B3054061110](#) [U65-E04-4020](#) [ZPF000000000097891](#) [557-262M2-06C](#) [747360449](#) [10099439-003C-TRLF](#)