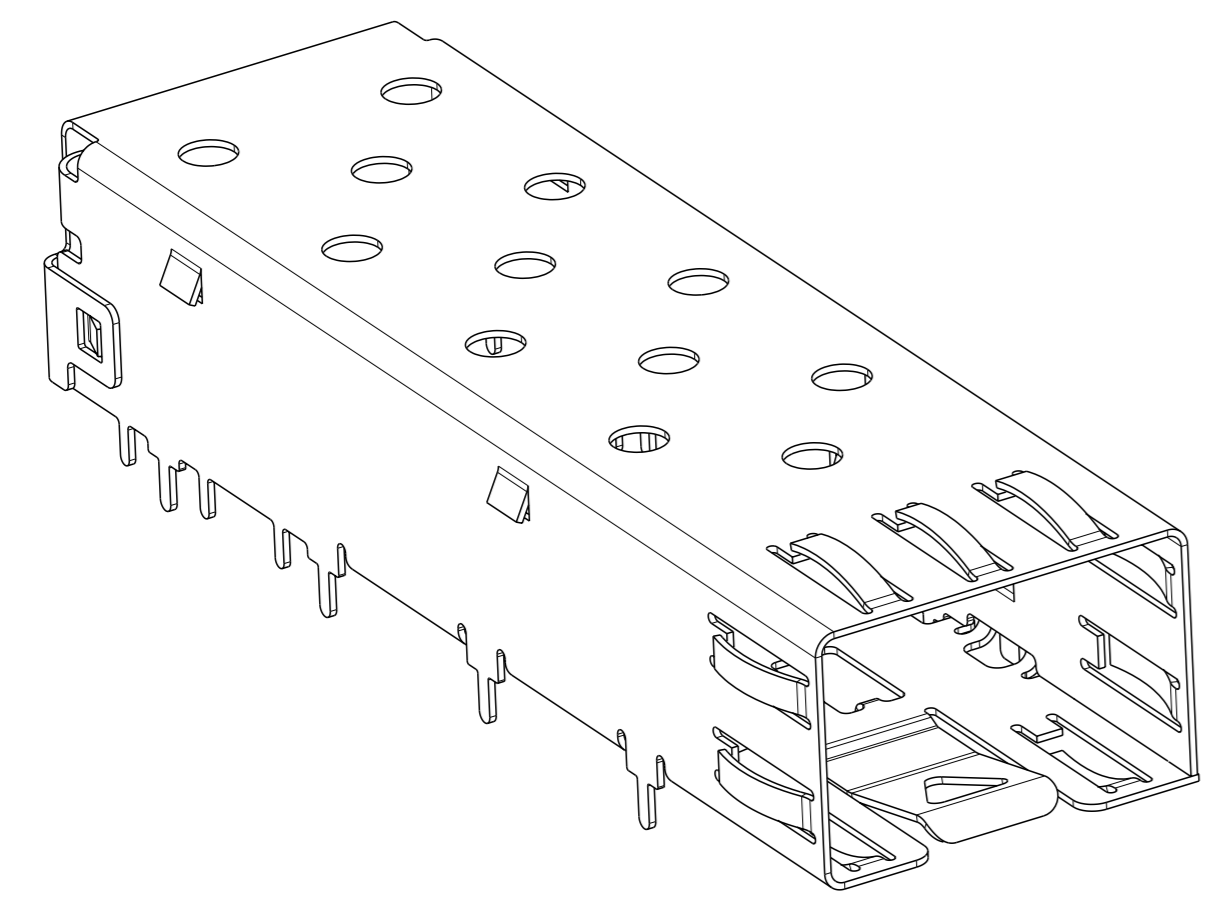
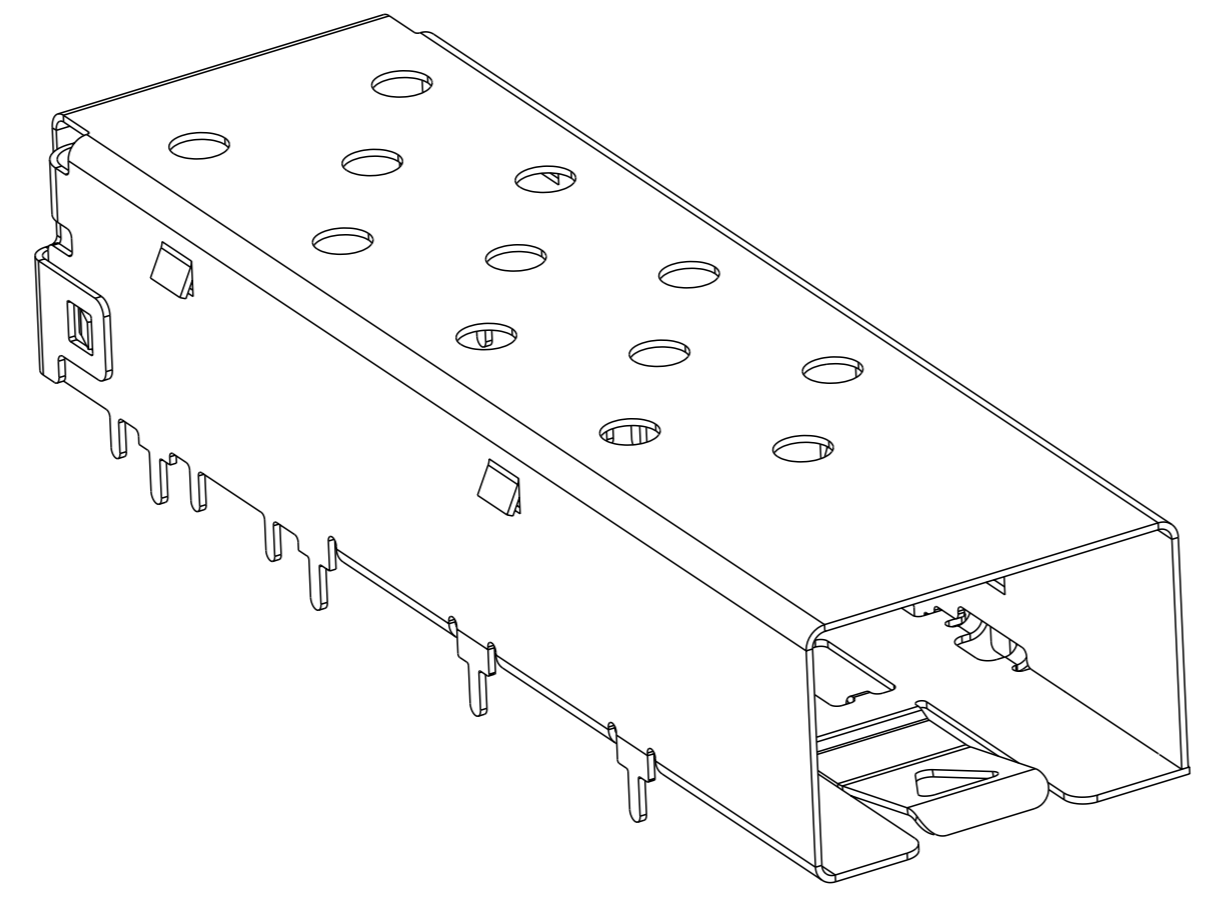


LOC	DIST	REVISIONS					
GP	00	#	LYR	DESCRIPTION	DATE	OWN	APVD
		C		REVISED PER ECR-19-008054	22MAY2019	IT	SH
		C1		ADD PN 2-4	27AUG2019	IT	SH
		C2		ADD PN 1-3 WITH 1.25MM TAILS	15JUN2020	IT	SH
		C3		ADD PN 3-2 PER ECN-21-106888	17MAY2021	SZ	SZ

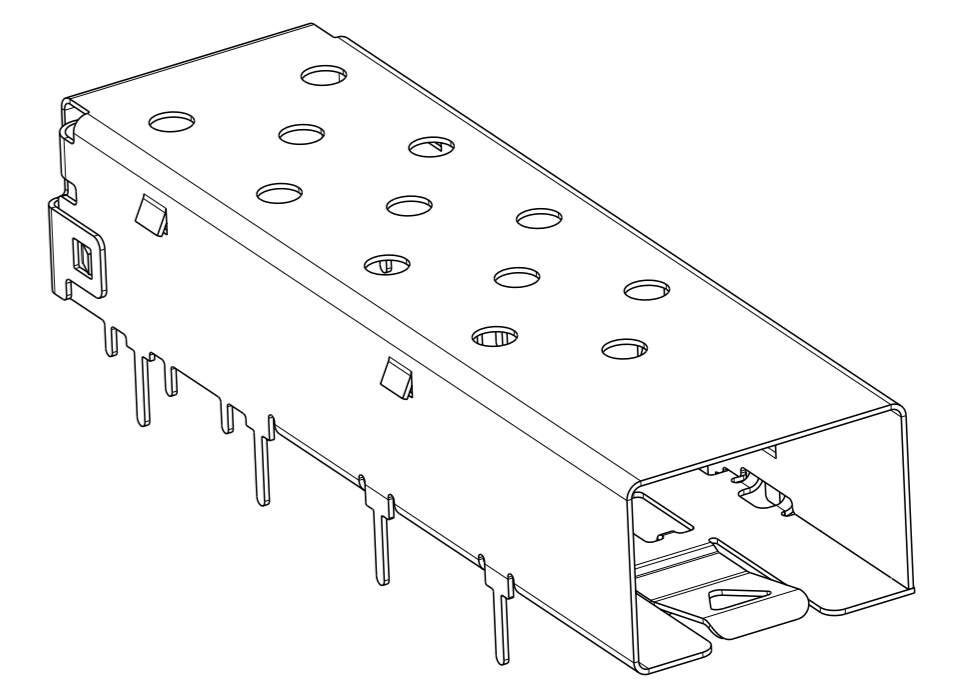


2227303-1, -2, -3, -7
 1-2227303-2/3

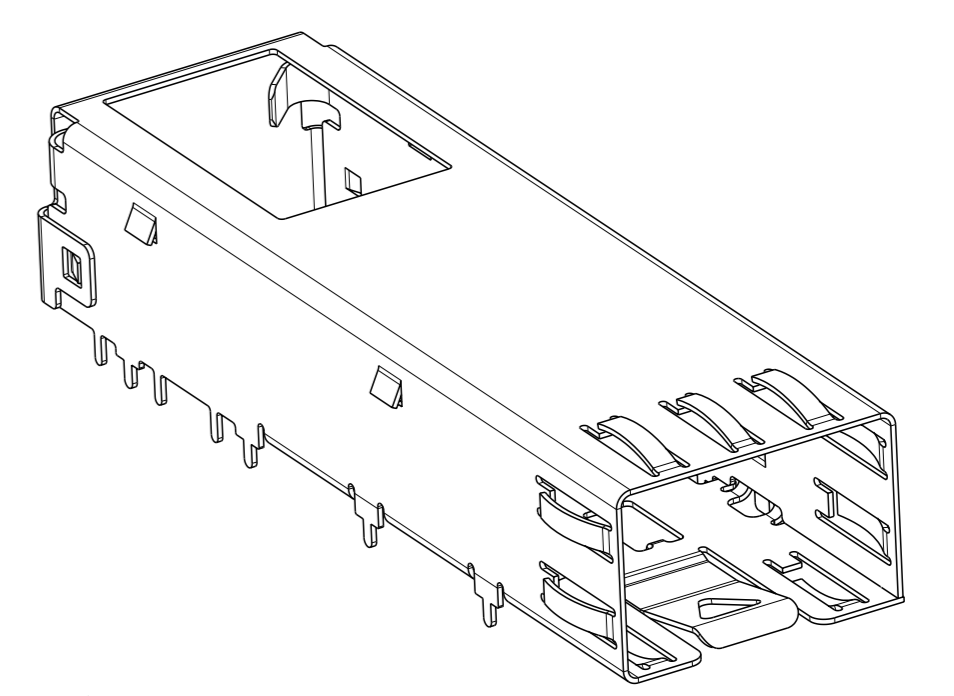
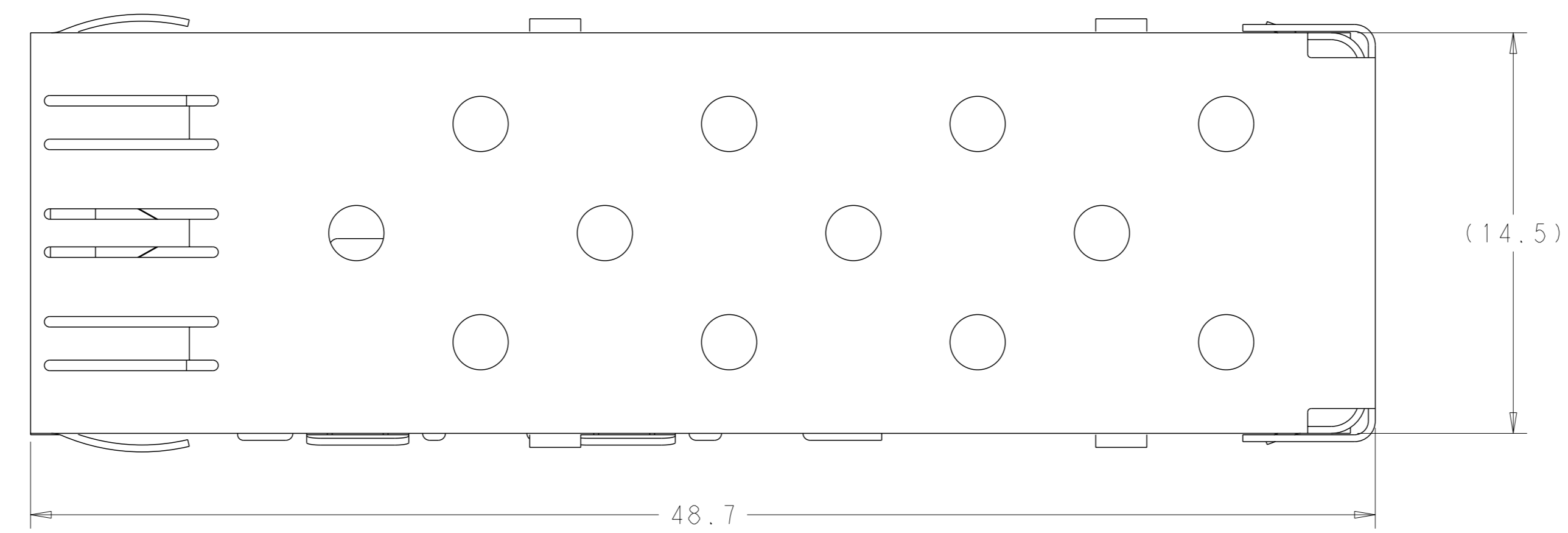


3-2227303-2

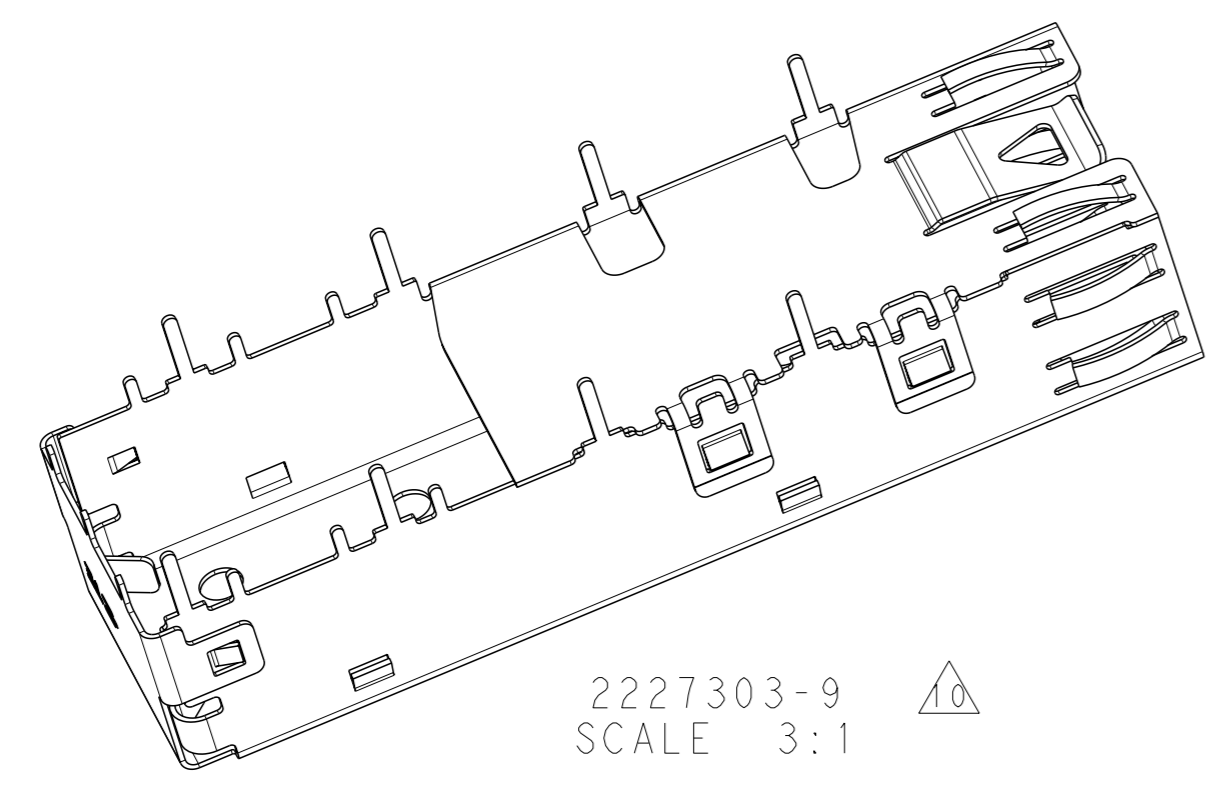
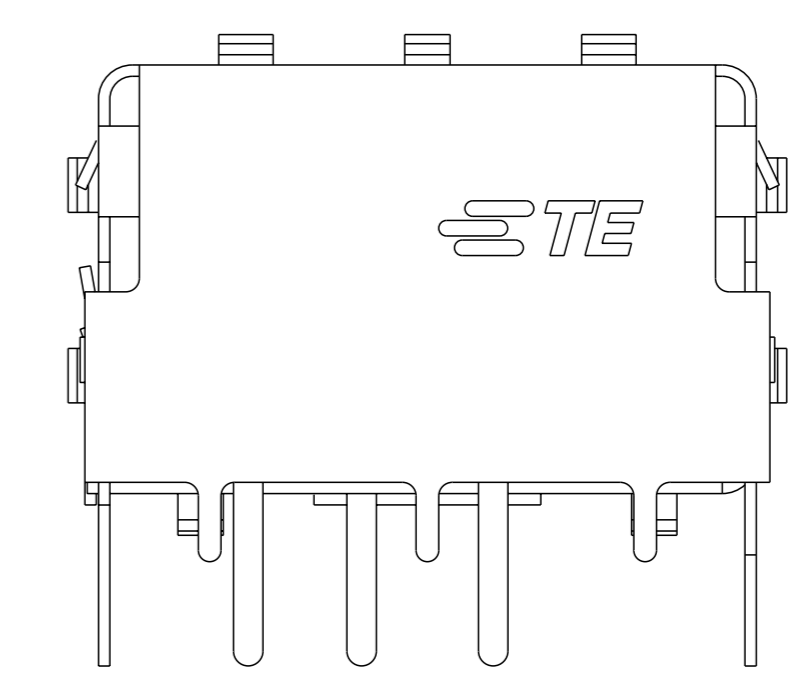
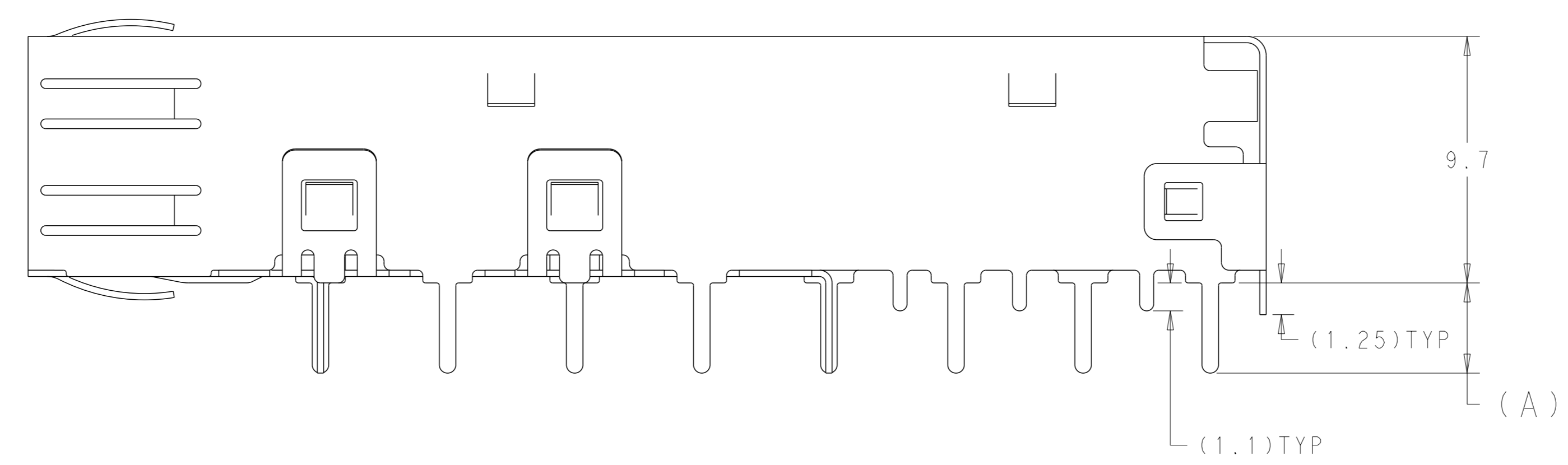
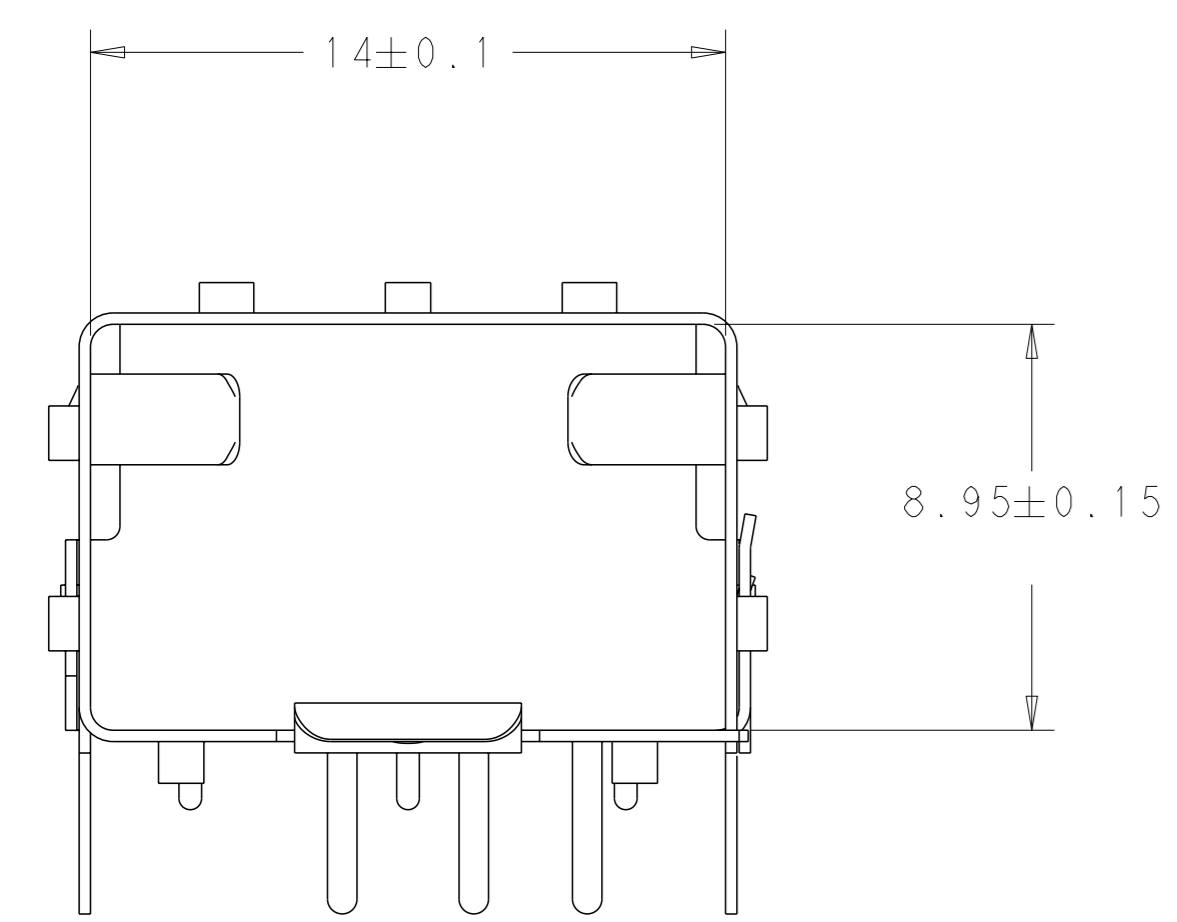
- △ MATERIAL: 0.25mm THICK STAINLESS STEEL.
- △ FINISH: 0.00125mm Min. NICKEL OVER ALL , 0.002mm Min. TIN DIPPED ON SOLDER TABS, NON PLATED EDGES PERMISSIBLE.
- 3. MATES WITH SFP MSA COMPLIANT TRANSCEIVERS.
- △ PADS AND VIAS CHASSIS GROUND.
- △ DATUM AND BASIC DIMENSION ESTABLISHED BY CUSTOMER.
- 6. MINIMUM PC BOARD THICKNESS:
 SINGLE SIDED = 1.50 mm
- △ REFERENCE APPLICATION SPEC. 114-13120, HOLE A, FOR RECOMMENDED DRILL HOLE DIAMETER AND PLATING THICKNESS.
- △ REFERENCE APPLICATION SPEC. 114-13120, HOLE C, FOR RECOMMENDED DRILL HOLE DIAMETER AND PLATING THICKNESS.
- △ ESD PROTECTION PACKAGE.
- △ WITHOUT THREE LOCATION PINS
- △ WITHOUT EMI SPRING
- △ WITH CUSTOMIZED HEATSINK OPEN
- △ PRELIMINARY PART



1-2227303-1



2-2227303-2, 2-2227303-4

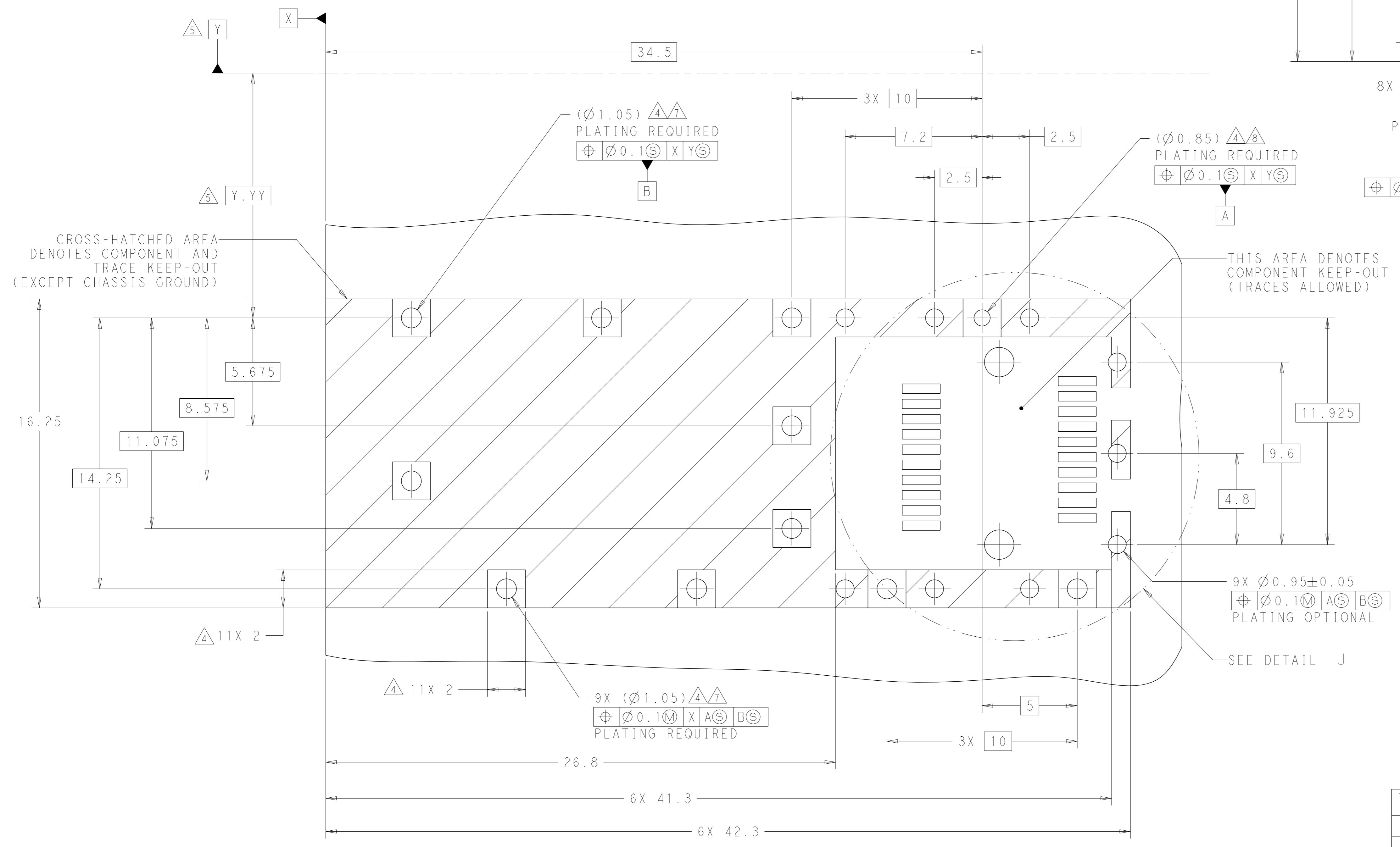
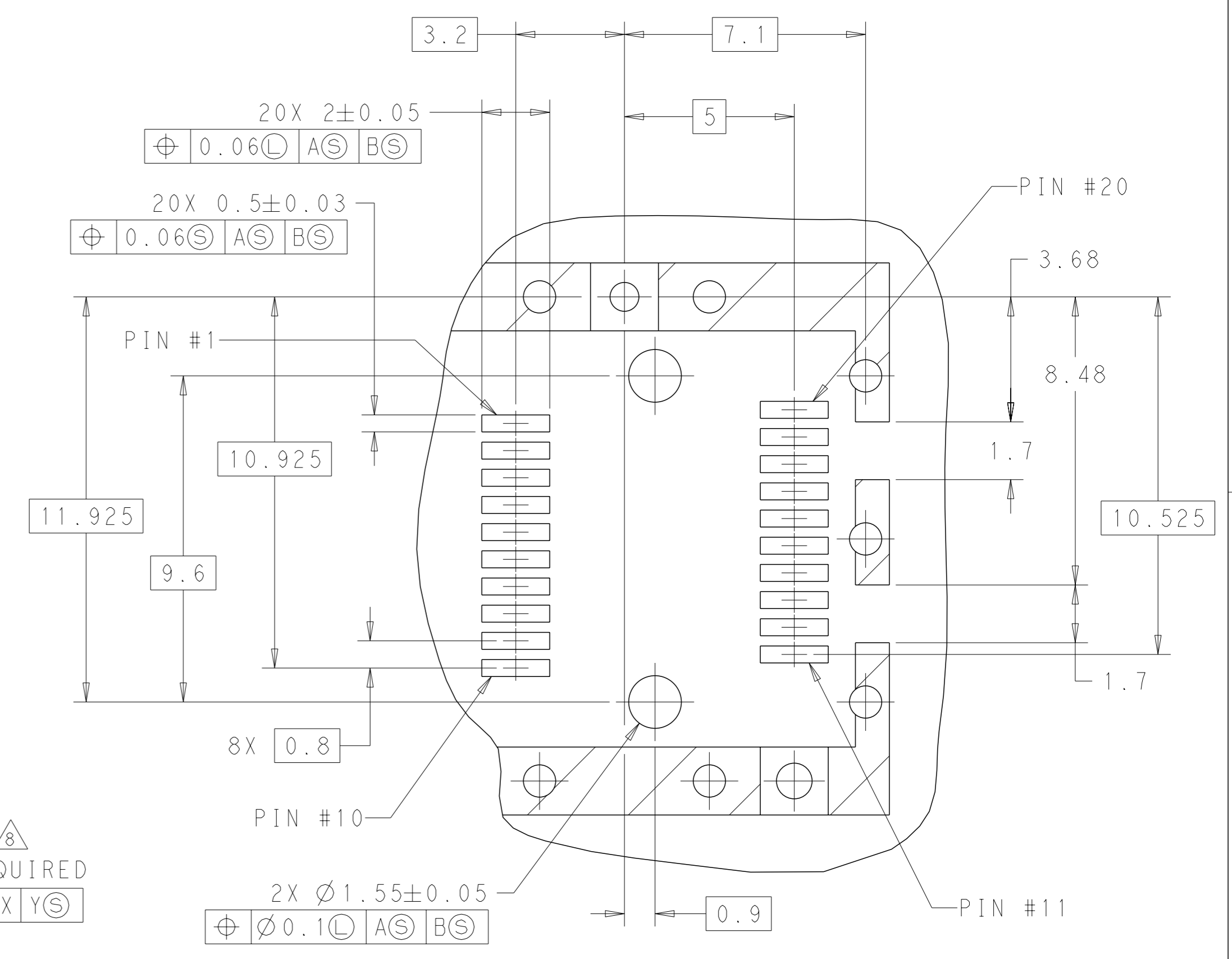
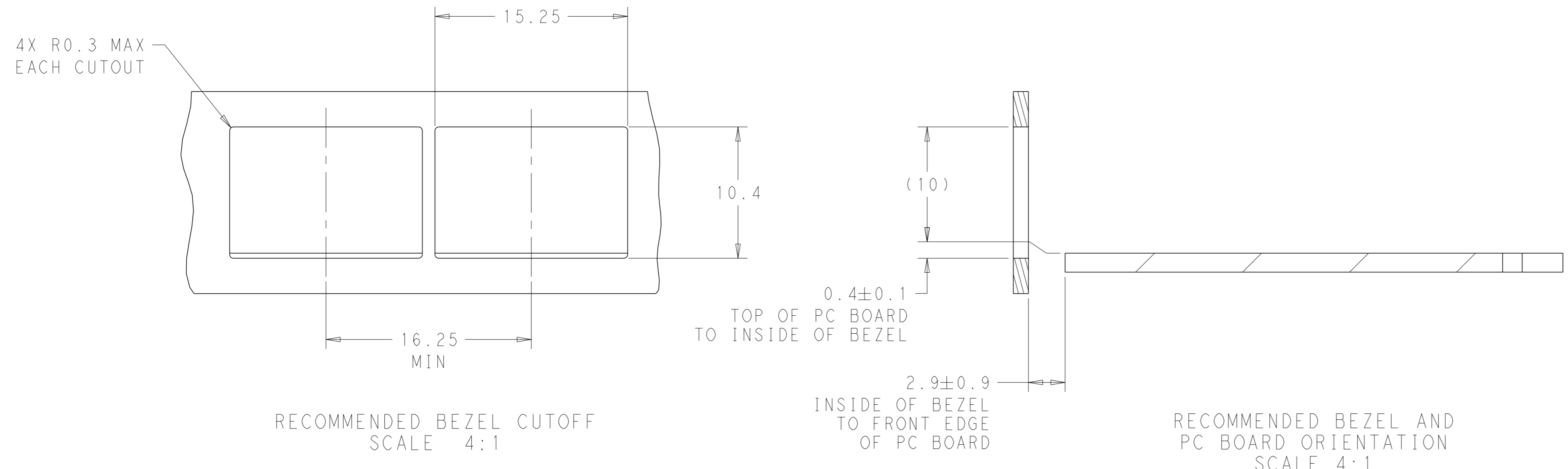


2227303-9
 SCALE 3:1

WITHOUT EMI SPRING	REEL	1.80	3-2227303-2
WITH HEATSINK OPEN	△ REEL	1.25	2-2227303-4
WITH HEATSINK OPEN	△ REEL	1.25	2-2227303-2
WITHOUT EMI SPRING	△ TRAY	3.55	1-2227303-1
WITHOUT LOCATION PIN	△ TRAY	3.55	2227303-9
ALL PINS 3.55 LENGTH	△ TRAY	3.55	2227303-7
STANDARD TYPE WITH AIR VENTS, EMI SPRING, LOCATION PIN	△ REEL	1.25	1-2227303-3
	△ REEL	1.80	1-2227303-2
	TRAY	1.80	2227303-3
	REEL	1.80	2227303-2
TRAY	3.55	2227303-1	
DESCRIPTION	PACKAGING	A	PART NUMBER

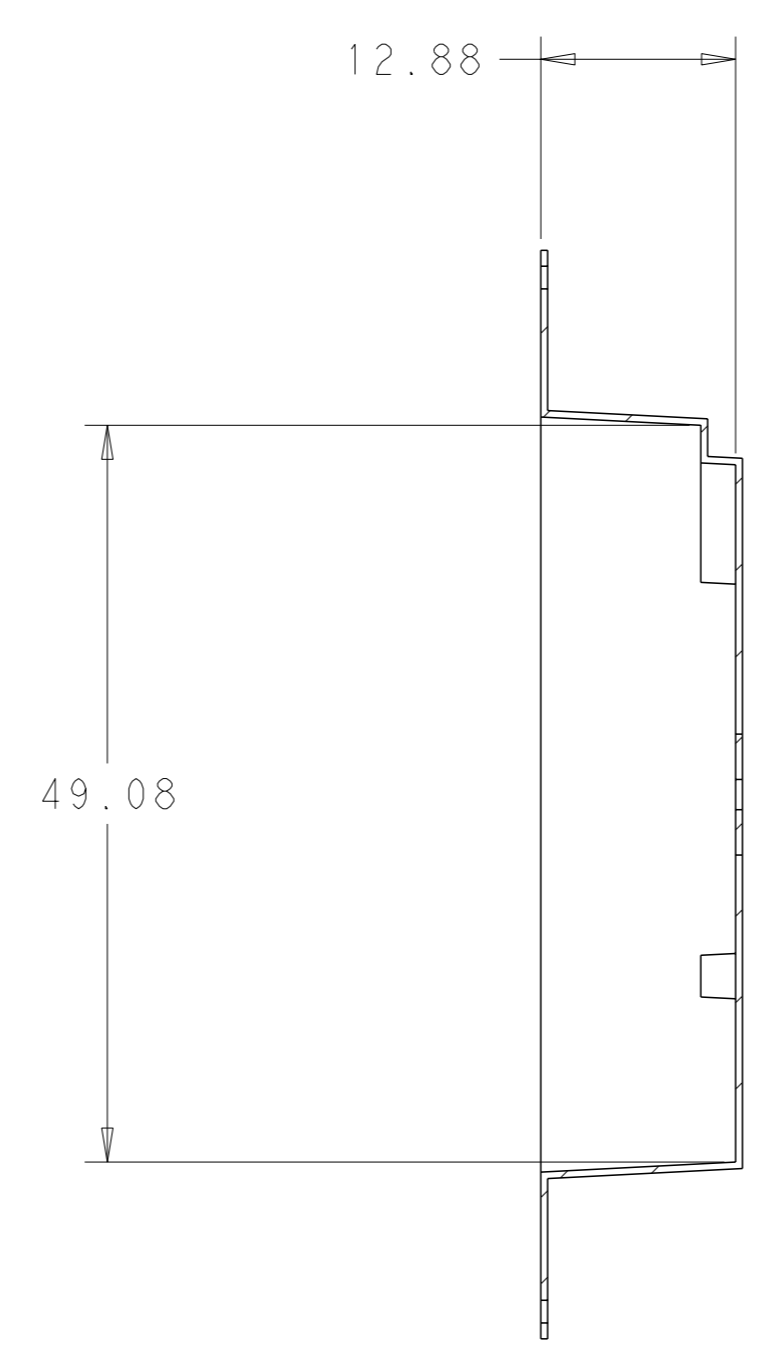
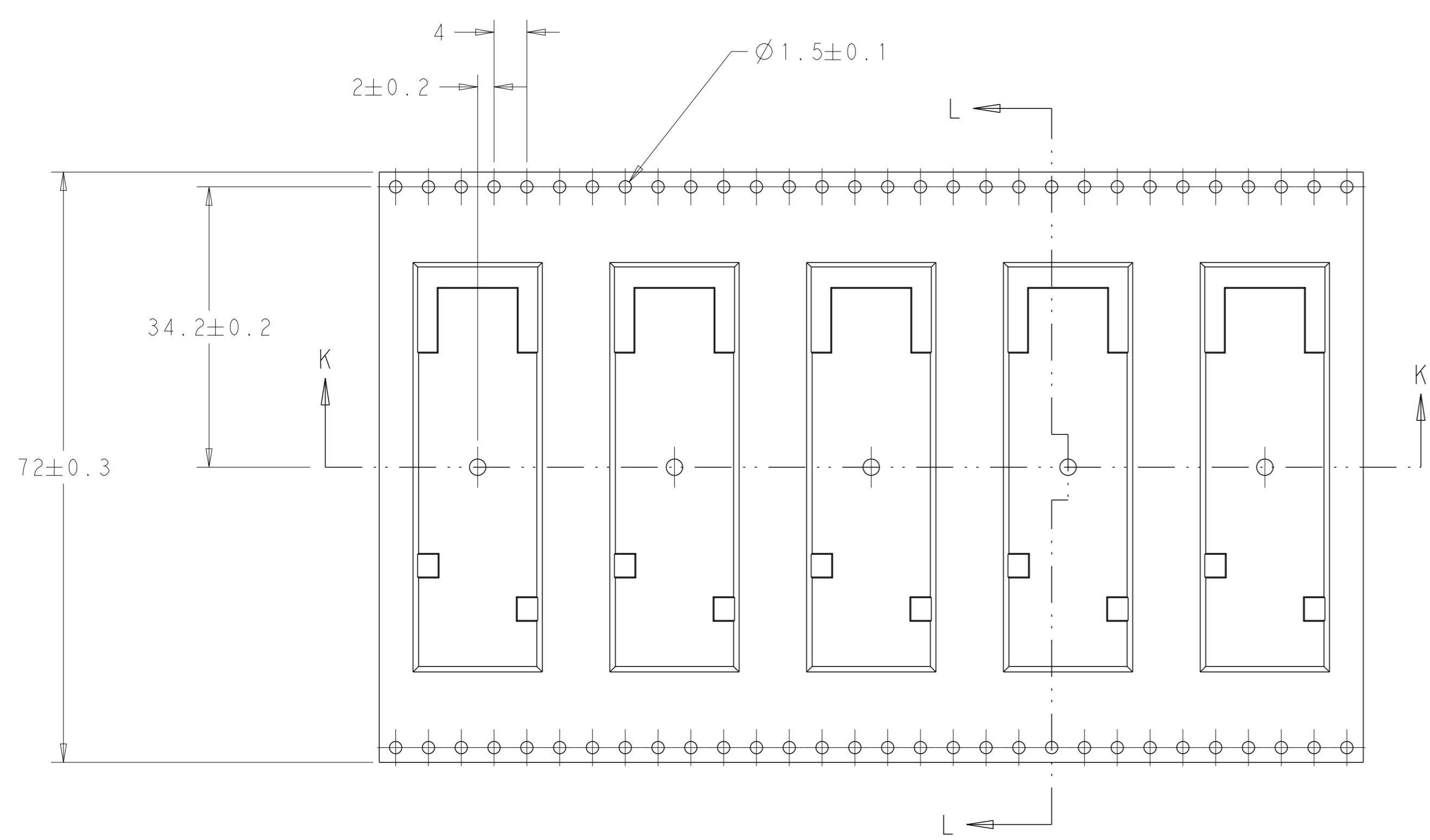
THIS DRAWING IS A CONTROLLED DOCUMENT. DIMENSIONING AND TOLERANCING PER ASME Y14.5M-2009.		OWN: C. VALENTINE 19OCT2012	CHK: M. SCHMITT 19OCT2012	APVD: M. SCHMITT 19OCT2012	NAME: SFP, 1X1 SINGLE PIECE CAGE, SOLDER PIN
DIMENSIONS:	TOLERANCES UNLESS OTHERWISE SPECIFIED:	STE			TE Connectivity
mm	0 PLC ±0.1 1 PLC ±0.1 2 PLC ±0.1 3 PLC ±0.1 4 PLC ±0.1 ANGLES ±°	108-1950			RESTRICTED TO
MATERIAL:	FINISH:	114-13120	WEIGHT:	A100779C=2227303	SCALE 6:1 SHEET 1 OF 3 REV C3
Customer Drawing		Customer Drawing			Customer Drawing

LOC	DIST	REVISIONS			
GP	00	REV	DATE	OWN	APVD
		1	SEE SHEET 1		

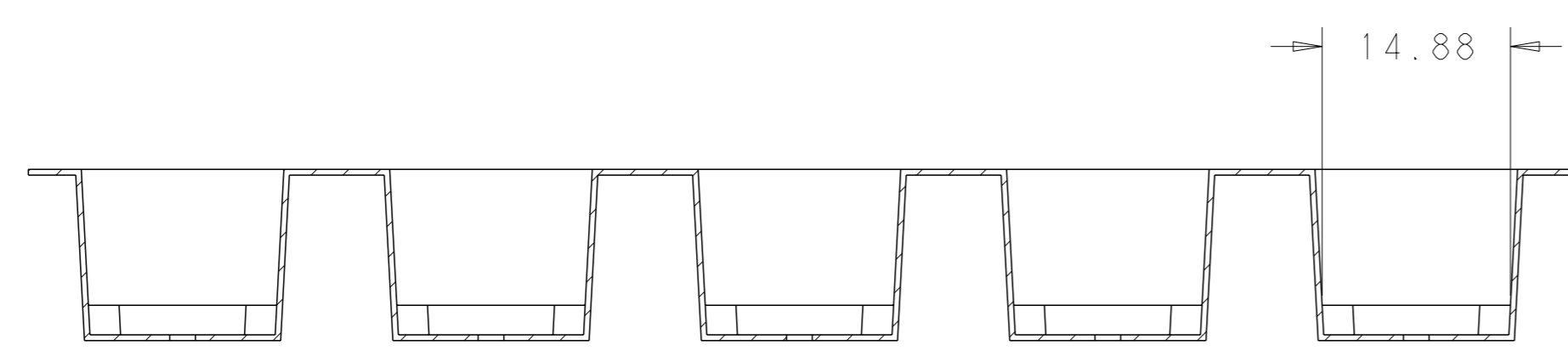


THIS DRAWING IS A CONTROLLED DOCUMENT. DIMENSIONING AND TOLERANCING PER ASME Y14.5M-2009.		OWN: C. VALENTINE 19OCT2012	TE Connectivity
DIMENSIONS: mm		CHK: M. SCHMITT 19OCT2012	
TOLERANCES UNLESS OTHERWISE SPECIFIED:		APVD: M. SCHMITT 19OCT2012	NAME: SFP, 1X1 SINGLE PIECE CAGE, SOLDER PIN
0 PLC	±0.1	PRODUCT SPEC	SIZE: 108-1950
1 PLC	±0.1	APPLICATION SPEC	CAGE CODE: 114-13120
2 PLC	±0.1	WEIGHT	RESTRICTED TO: -
3 PLC	±0.1	Customer Drawing	SCALE: 6:1 SHEET 2 OF 3 REV: C3
4 PLC	±0.1		
ANGLES	±°		
MATERIAL			
FINISH			

LOC	DIST	REVISIONS			
P	LYR	DESCRIPTION	DATE	OWN	APVD
GP	00	SEE SHEET 1	-	-	-

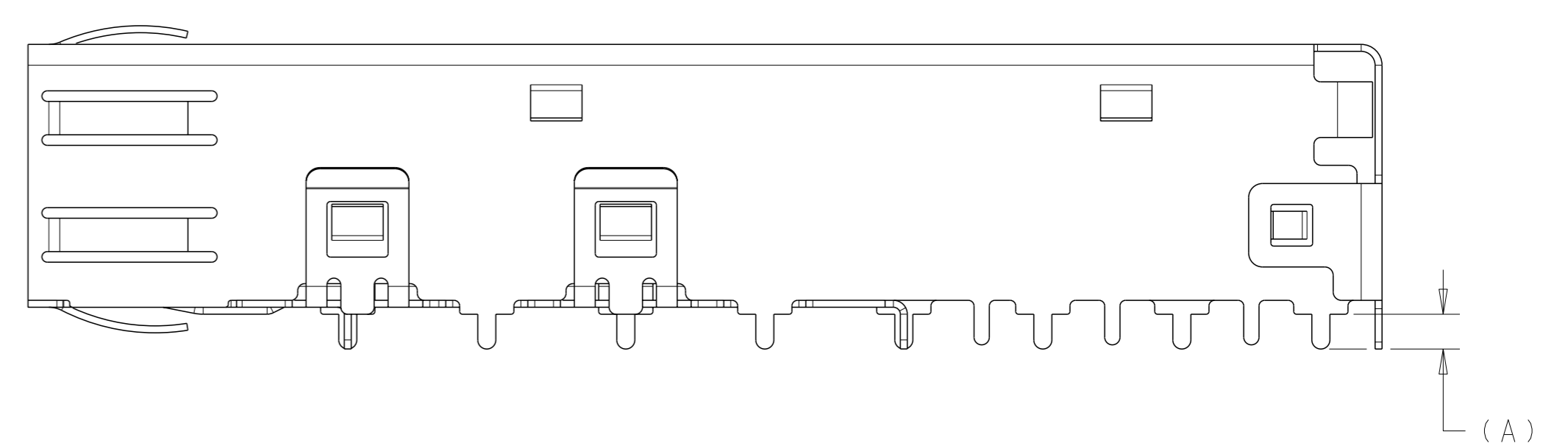
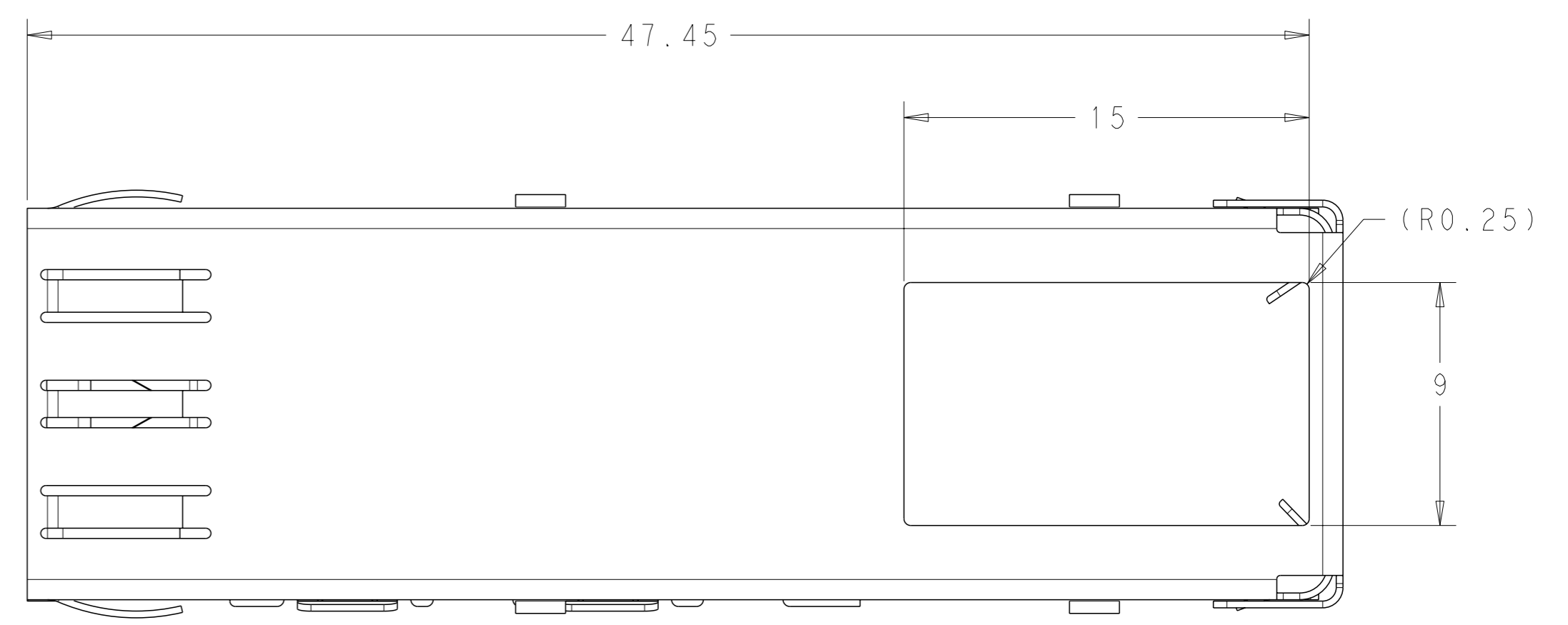


SECTION L-L

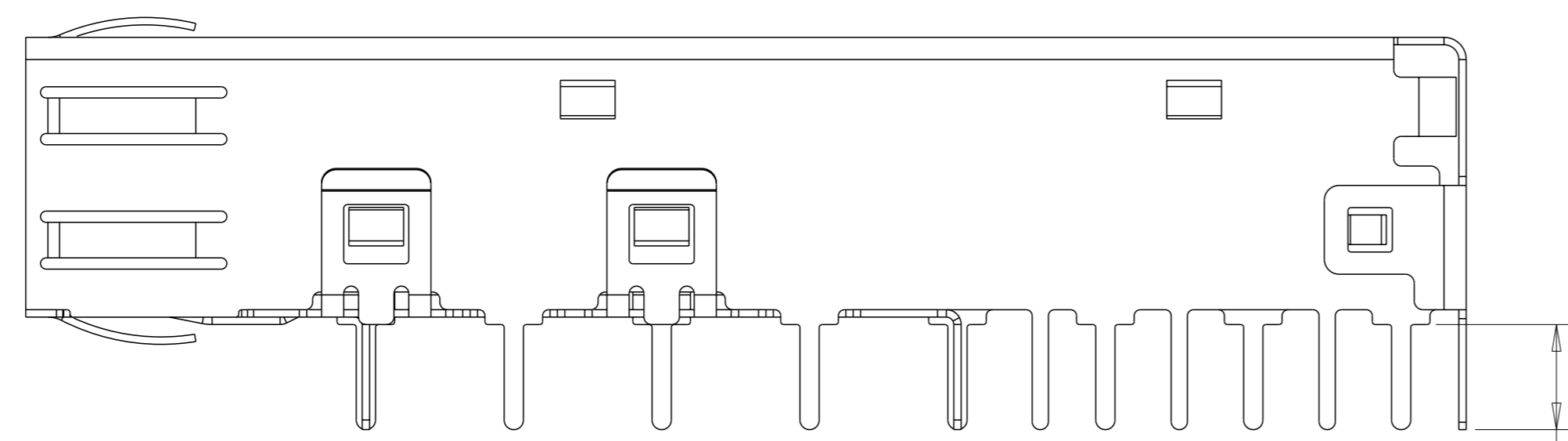
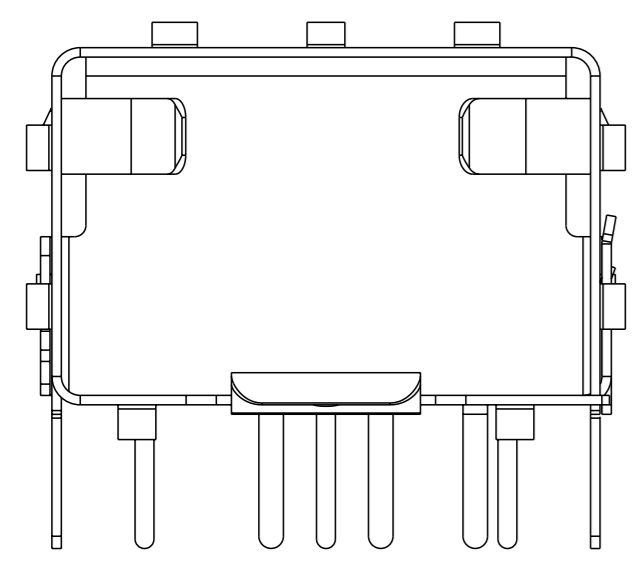


SECTION K-K
SCALE 2:1

2227303-2 / 1-222303-2 REEL PACKAGING



2-2227303-2 AS SHOWN
UNMARKED DIMENSIONS SAME AS 2227303-1
SCALE 5:1



(A)
APPLIED ALL PINS

2227303-7
UNMARKED DIMENSIONS SAME AS 2227303-1
SCALE 5:1

THIS DRAWING IS A CONTROLLED DOCUMENT. DIMENSIONING AND TOLERANCING PER ASME Y14.5M-2009		OWN: C. VALENTINE 19OCT2012	TE Connectivity
DIMENSIONS: mm		CHK: M. SCHMITT 19OCT2012	
TOLERANCES UNLESS OTHERWISE SPECIFIED:		APVD: M. SCHMITT 19OCT2012	NAME: SFP, 1X1 SINGLE PIECE CAGE, SOLDER PIN
0 PLC ±0.1	1 PLC ±0.1	PRODUCT SPEC	SIZE: CAGE CODE DRAWING NO
2 PLC ±0.1	3 PLC ±0.1	APPLICATION SPEC	RESTRICTED TO
4 PLC ±0.1	ANGLES ±°	114-13120	A100779C=2227303
MATERIAL	FINISH	WEIGHT	SCALE 6:1 SHEET 3 OF 3 REV C3
Customer Drawing			

X-ON Electronics

Largest Supplier of Electrical and Electronic Components

Click to view similar products for [I/O Connectors](#) category:

Click to view products by [TE Connectivity](#) manufacturer:

Other Similar products are found below :

[571763P](#) [58098-0628](#) [72.250.1628.2](#) [72.250.2428.2](#) [74720-0505](#) [76.350.0729.0](#) [76871-1403](#) [FCN-244F080-G/1](#) [FCN-260A9920](#) [MP-5T180MUNNA-005](#) [PCR-E36PM](#) [PCS-XE26MA+](#) [G38A71314B](#) [DX40-50P\(55\)](#) [1571250010](#) [157-22500-3](#) [MS3471L14-19P L/C](#) [91-569786-35H](#) [172501-4002](#) [172501-6002](#) [FCN-260C008-A/L0](#) [FCN-260C024-AL0](#) [FCN-261Z008](#) [2000314-1](#) [200331-1](#) [PCR-E36FC+](#) [PCS-E28FS+](#) [PCS-XE26SLFD+](#) [PCS-XE26SLFDT+](#) [G730VID08BDC24](#) [U90B2054081210](#) [UE86K842720321](#) [38113800006](#)
[DP3AR020WQ1R200](#) [Z4.102.0680.0](#) [500-1040](#) [500-1052](#) [500-1054](#) [ZP-4008-66L](#) [0709821002](#) [10-565995-597N](#) [DX40-20P\(55\)](#) [5554841-1](#)
[MS3474W18-8P-LC*](#) [U90B3054061110](#) [U65-E04-4020](#) [ZPF000000000097891](#) [557-262M2-06C](#) [747360449](#) [10099439-003C-TRLF](#)