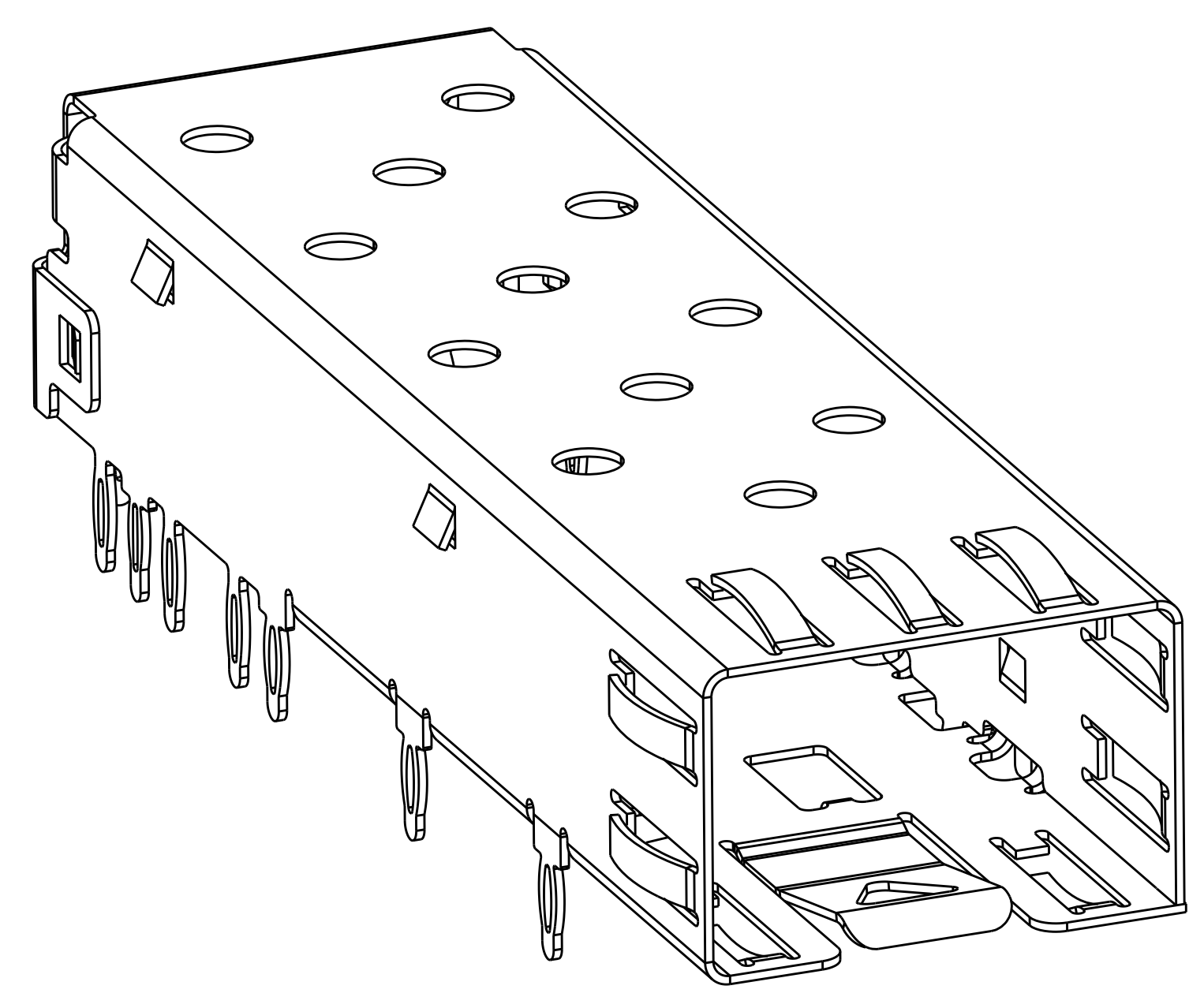
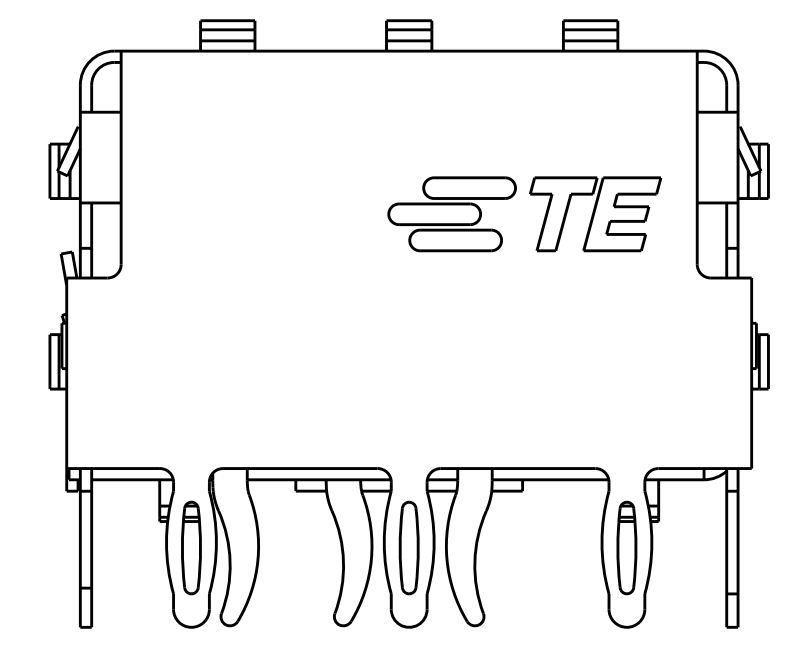
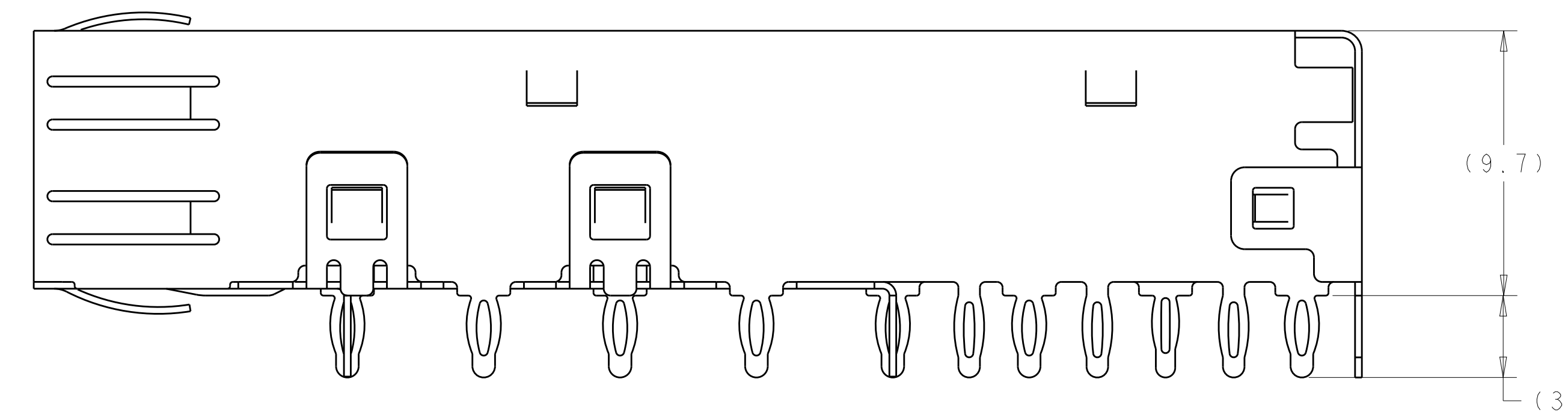
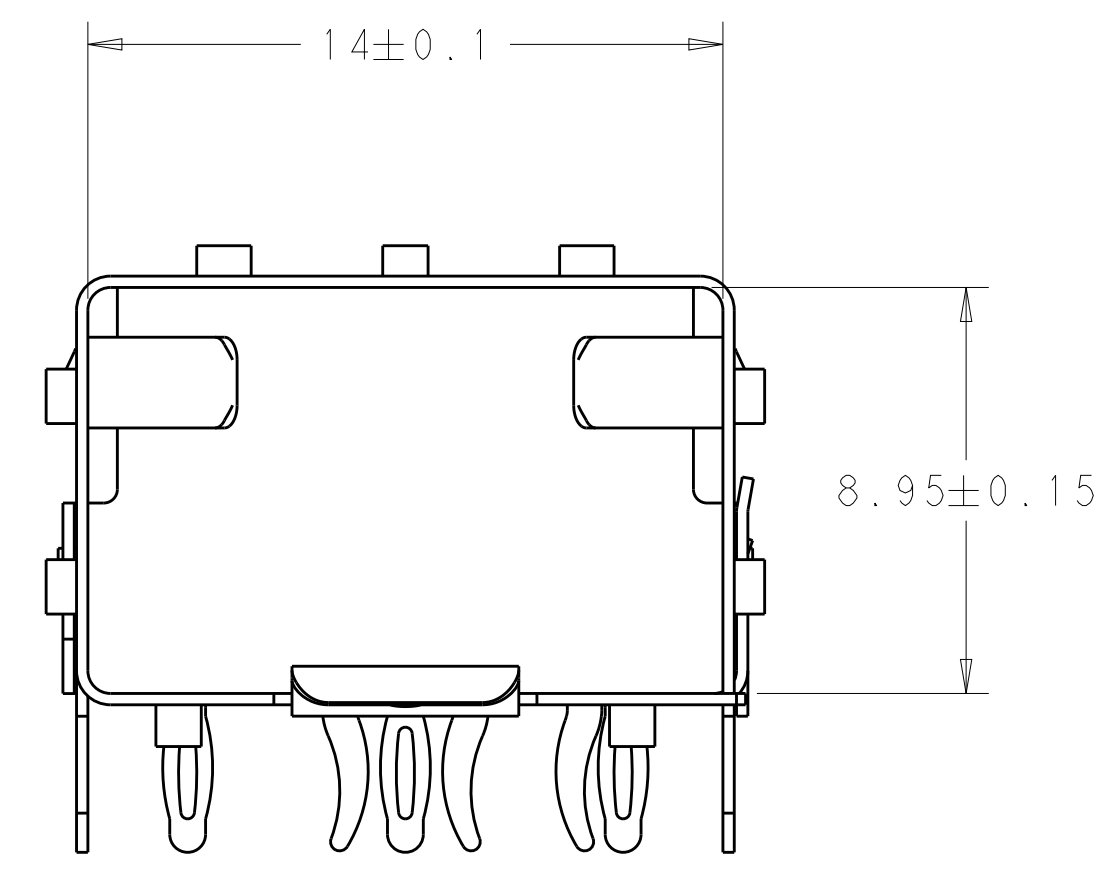
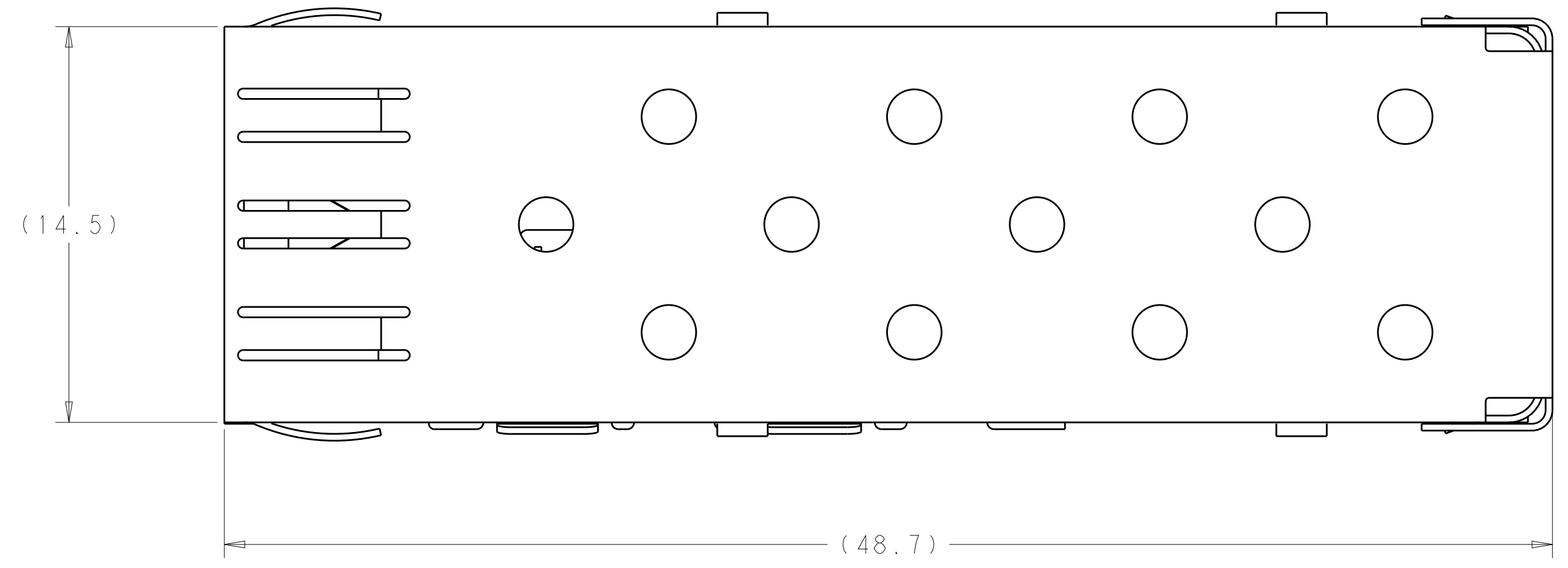


LOC	DIST	REVISIONS					
		P	LTN	DESCRIPTION	DATE	DWN	APVD
GP	00	A		INITIAL RELEASE	21MAY2014	CW	SH
		A1		REVISED PER ECO-15-001812	4-FEB-2015	JW	SH
		A2		REVISED PER ECO-15-011580	10-AUG-2015	JW	SH



ISOMETRIC VIEW
 2227317-1
 SCALE 6:1

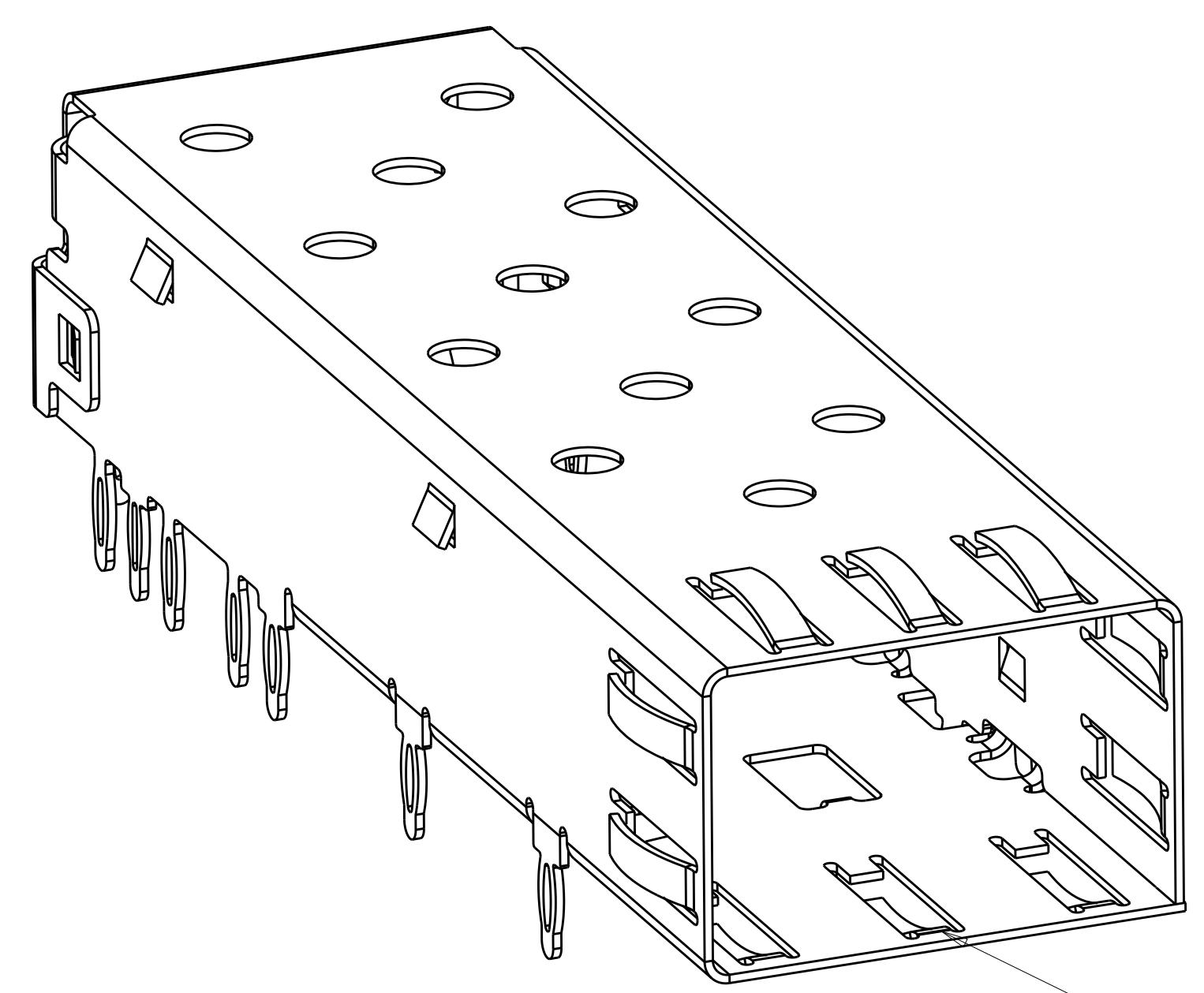
- 1. MATERIAL: 0.25mm THICK STAINLESS STEEL.
- 2. FINISH: NICKEL, NON PLATED EDGES PERMISSIBLE.
- 3. MATES WITH SFP MSA COMPLIANT TRANSCEIVERS.
- 4. PADS AND VIAS CHASSIS GROUND.
- 5. DATUM AND BASIC DIMENSION ESTABLISHED BY CUSTOMER.
- 6. MINIMUM PC BOARD THICKNESS:
 SINGLE SIDED = 1.50 mm
- 7. REFERENCE APPLICATION SPEC. 114-13120, HOLE A, FOR
 RECOMMENDED DRILL HOLE DIAMETER AND PLATING THICKNESS(EXCEPT IMMERSION SILVER PLATING).
- 8. REFERENCE APPLICATION SPEC. 114-13120, HOLE C, FOR
 RECOMMENDED DRILL HOLE DIAMETER AND PLATING THICKNESS(EXCEPT IMMERSION SILVER PLATING).
- 9. THE RECOMMENDED DIMENSIONS FOR HOLES ON PAGE 2/2 ARE NOT COMPATIBLE WITH IMMERSION SILVER PLATING HOLES
 BECAUSE OF OVERLARGE INSERTION FORCE.



2227317-1
 PART
 NUMBER

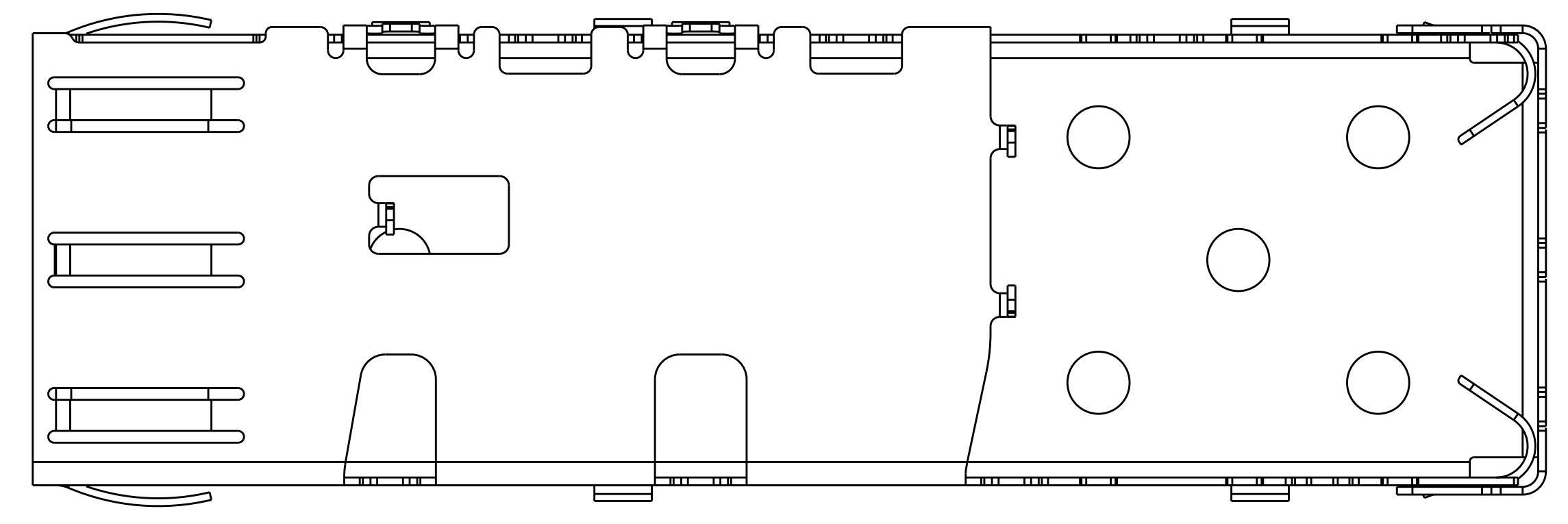
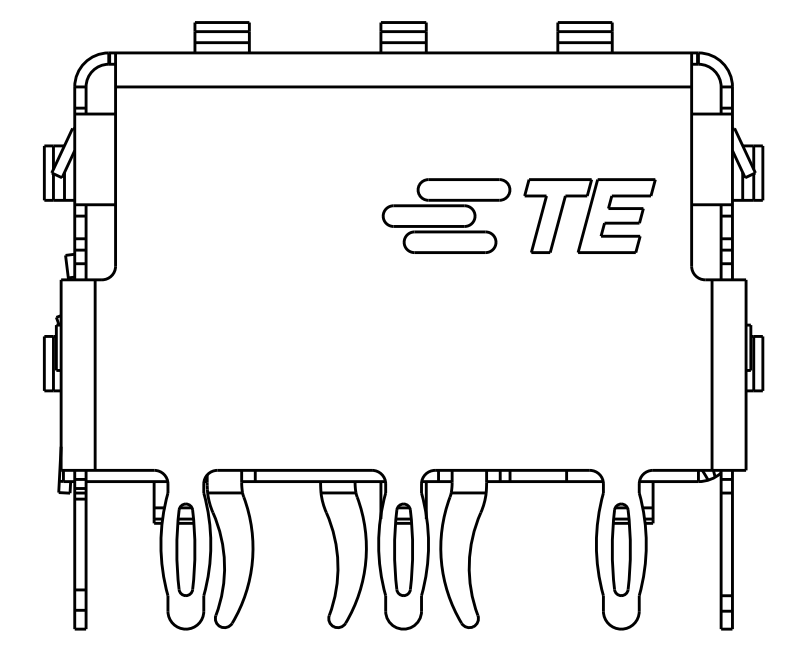
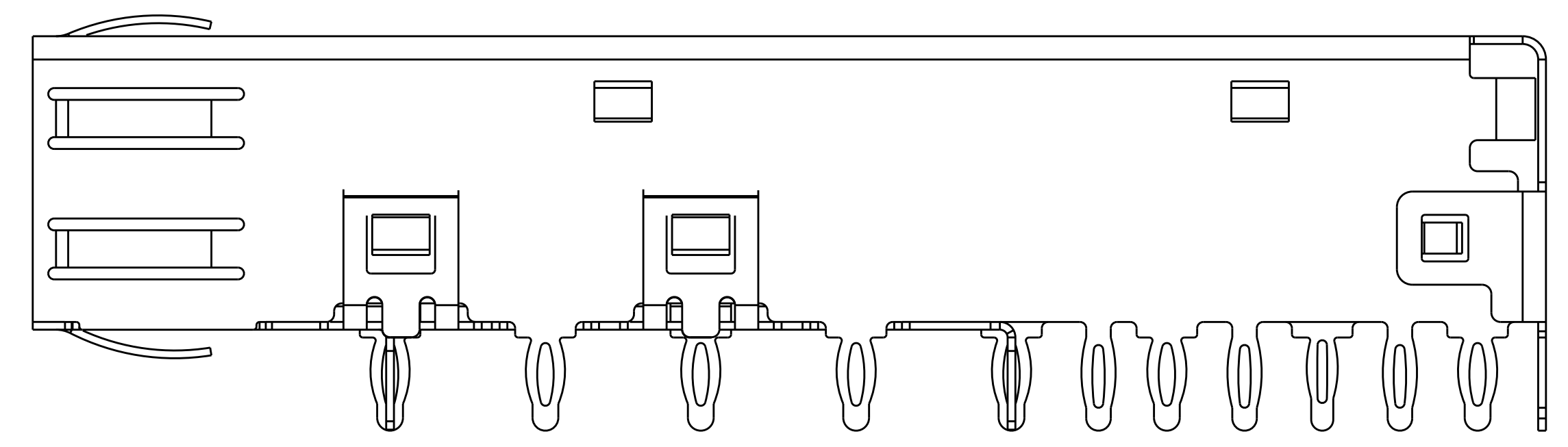
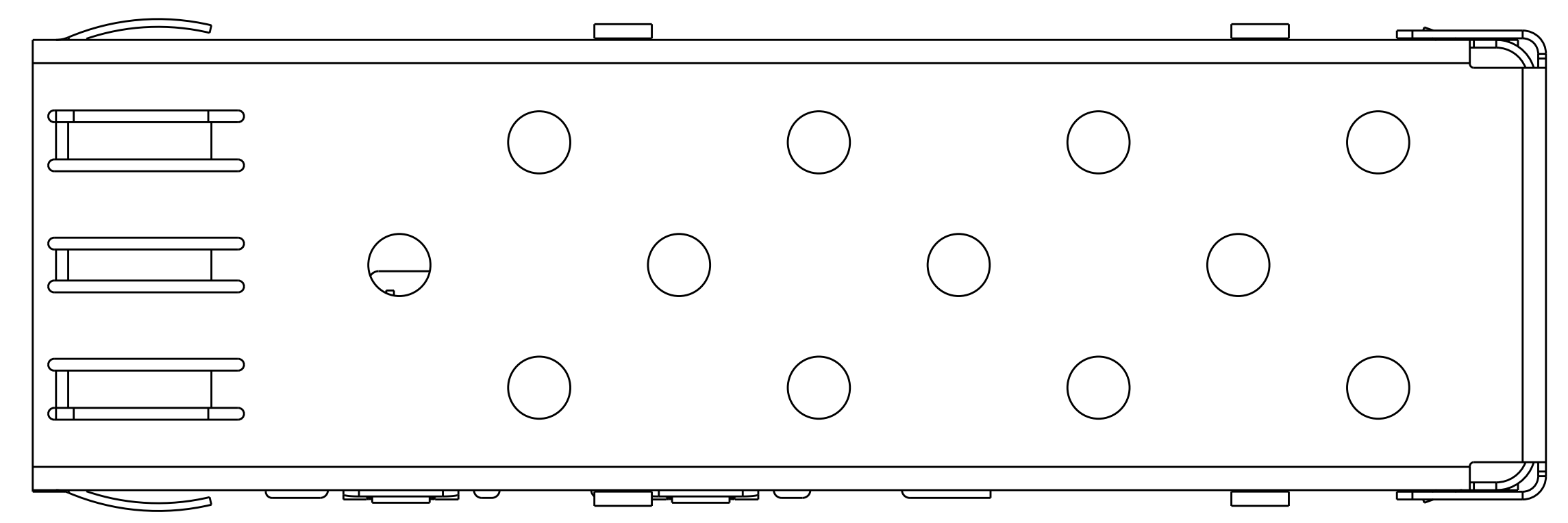
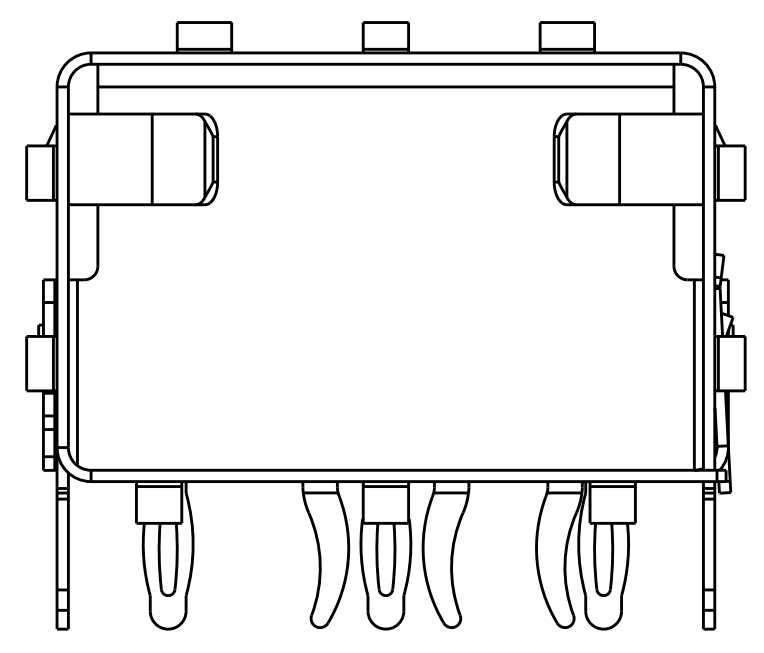
THIS DRAWING IS A CONTROLLED DOCUMENT. DIMENSIONING AND TOLERANCING PER ASME Y14.5M-2009		DWN C. VALENTINE 07NOV2012	TE Connectivity SFP, 1X1 SINGLE PIECE CAGE, W/ LIGHT PIPES, PRESS FIT
DIMENSIONS: mm		CHK M. SCHMITT 07NOV2012	
TOLERANCES UNLESS OTHERWISE SPECIFIED:		APVD M. SCHMITT 07NOV2012	NAME
0 PLC	±	PRODUCT SPEC	
1 PLC	±0.2	108-1950	SIZE
2 PLC	±0.1	APPLICATION SPEC	CAGE CODE
3 PLC	±0.1	114-13120	DRAWING NO
4 PLC	±	WEIGHT	RESTRICTED TO
ANGLES	±	A100779	Customer Drawing
MATERIAL		SCALE	6:1
FINISH		SHEET	1 OF 4
		REV	A2

LOC		DIST		REVISIONS				
P	LTN	DATE	DWN	APVD	DESCRIPTION			
-	-	-	-	-	SEE SHEET 1			



NO LATCH

ISOMETRIC VIEW
SCALE 6:1

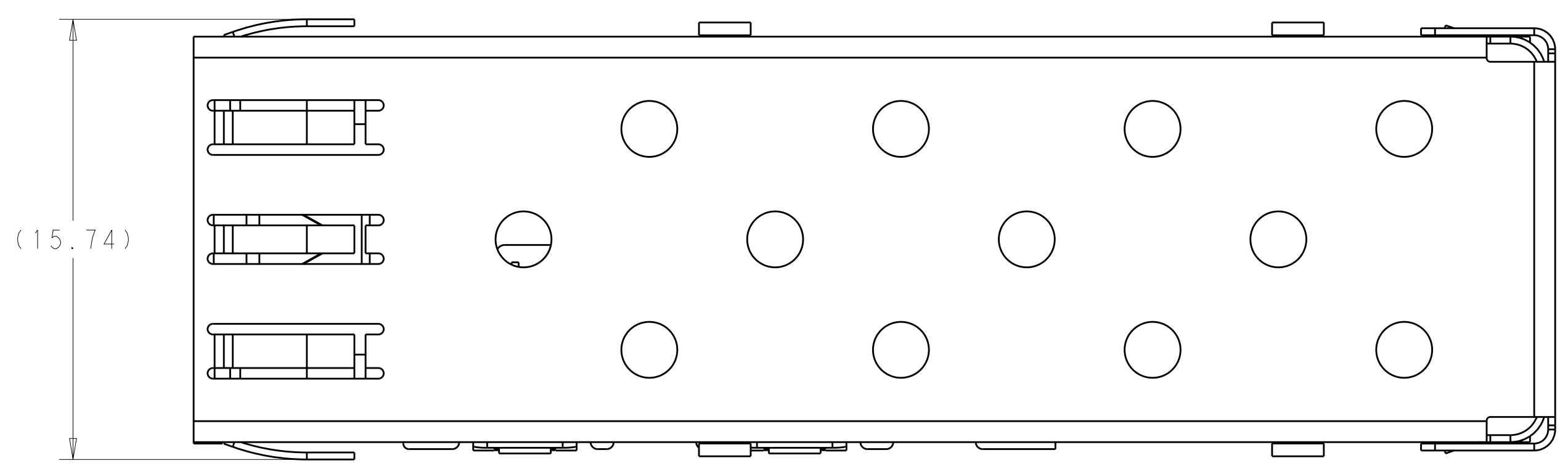
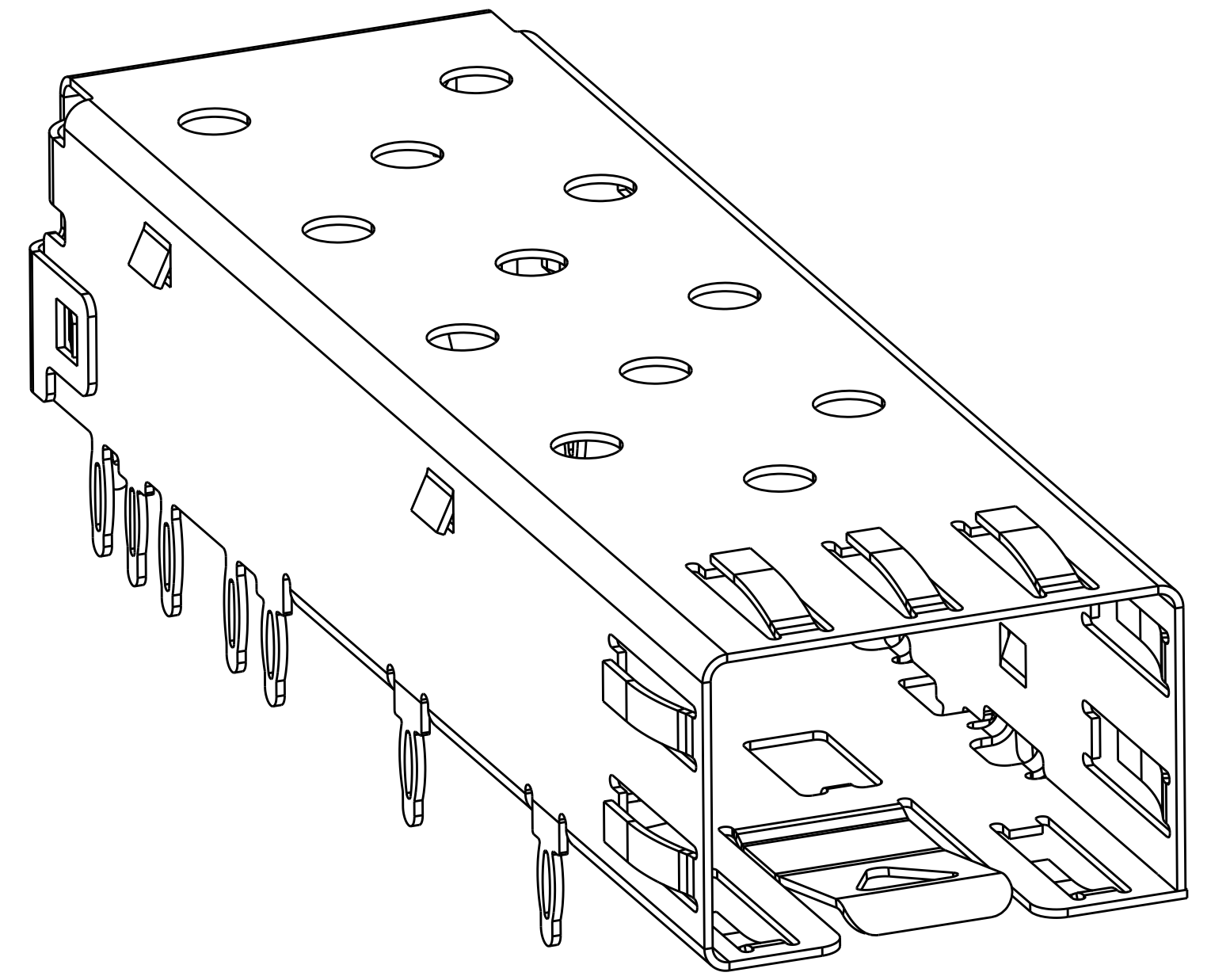


DIMENSIONS SAME AS 2227317-1

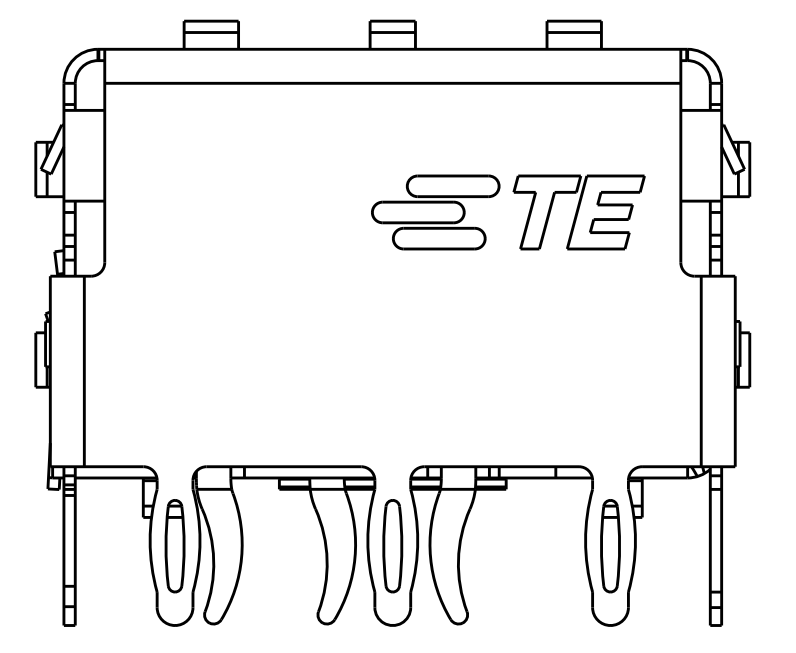
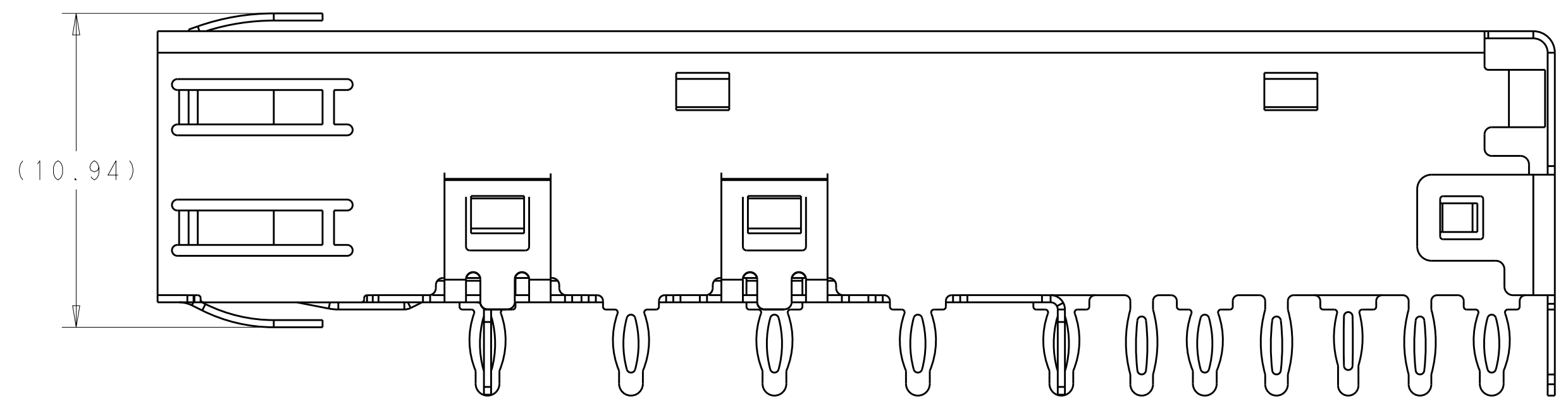
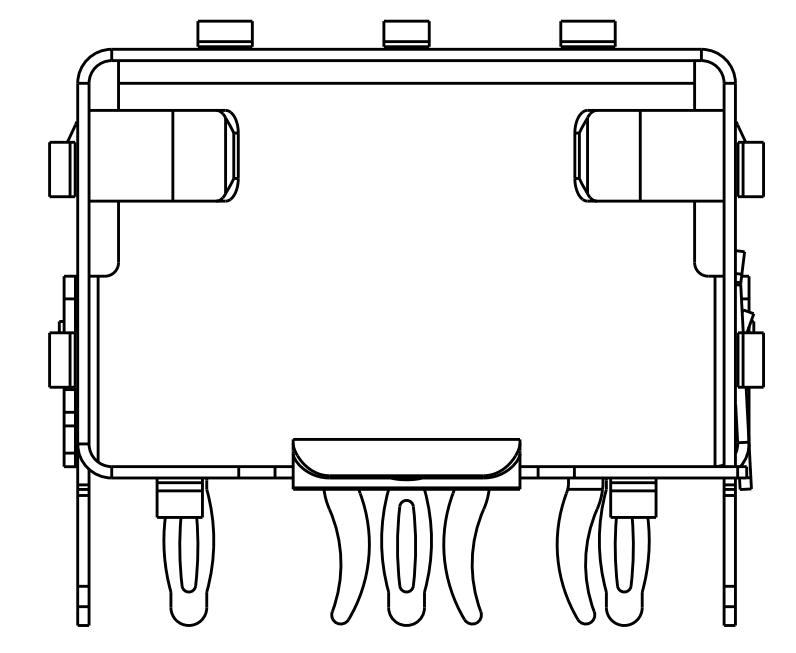
2227317-3
PART NUMBER

THIS DRAWING IS A CONTROLLED DOCUMENT. DIMENSIONING AND TOLERANCING PER ASME Y14.5M-2009		DWN C. VALENTINE 07NOV2012	TE Connectivity NAME SFP, 1X1 SINGLE PIECE CAGE, W/ LIGHT PIPES, PRESS FIT
DIMENSIONS: mm		CHK M. SCHMITT 07NOV2012	
TOLERANCES UNLESS OTHERWISE SPECIFIED: 0 PLC ±. 1 PLC ±0.2 2 PLC ±0.1 3 PLC ±0.1 4 PLC ±. ANGLES ±. FINISH		APVD M. SCHMITT 07NOV2012	RESTRICTED TO
MATERIAL		PRODUCT SPEC 108-1950	SIZE A100779C=2227317
		APPLICATION SPEC 114-13120	WEIGHT
		Customer Drawing	SCALE 6:1 SHEET 2 OF 4 REV A2

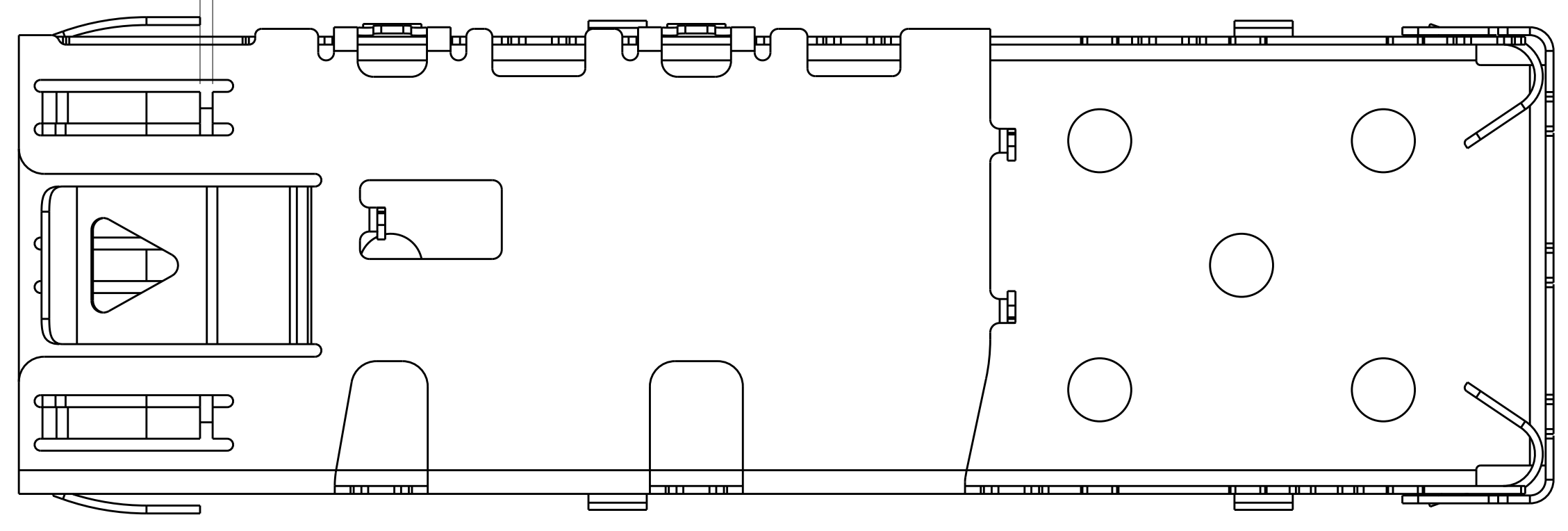
LOC	DIST	REVISIONS					
GP	00	P	LTN	DESCRIPTION	DATE	DWN	APVD
		-		SEE SHEET 1			



ISOMETRIC VIEW
SCALE 6:1



0.1MIN
(ALL SPRING FINGERS)



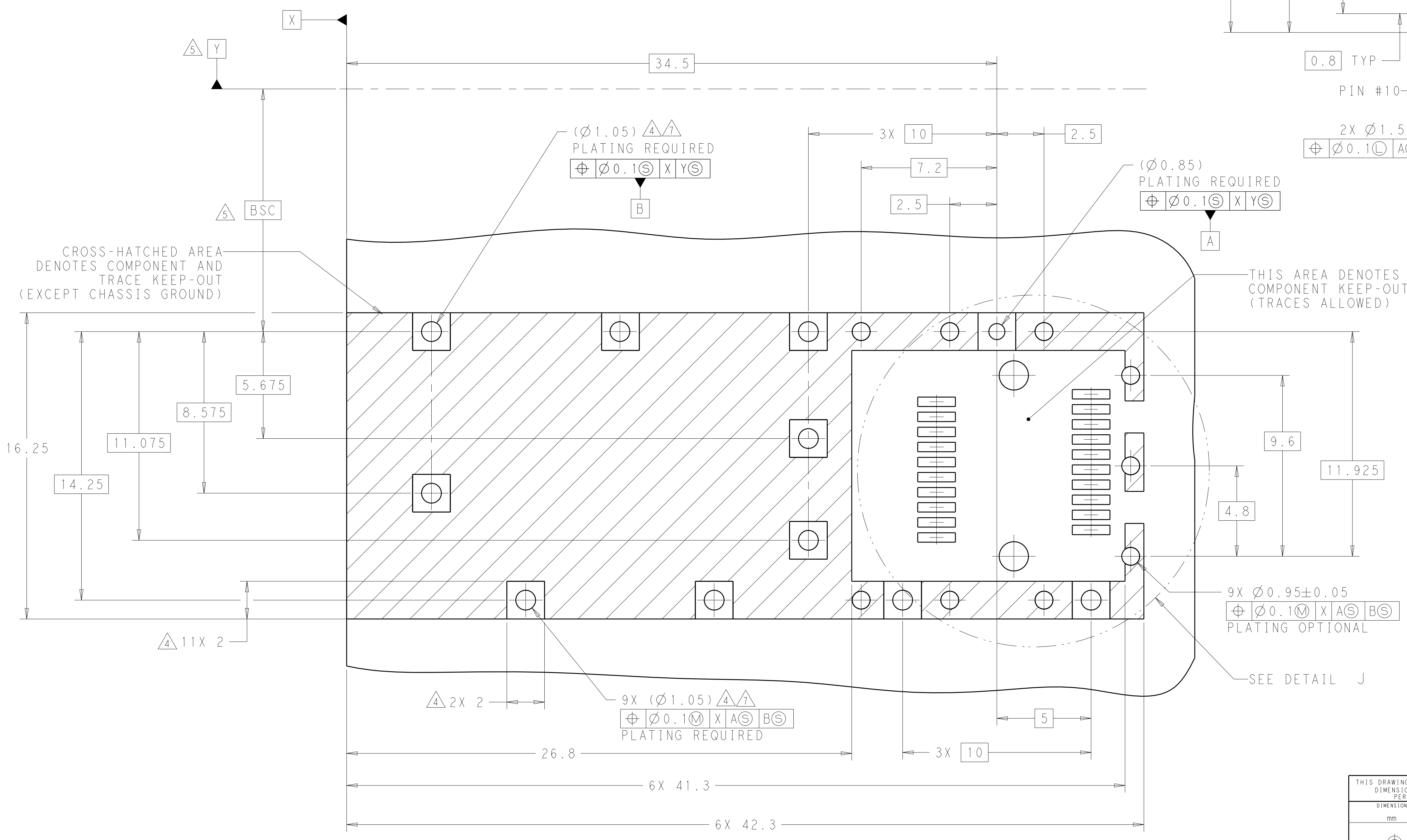
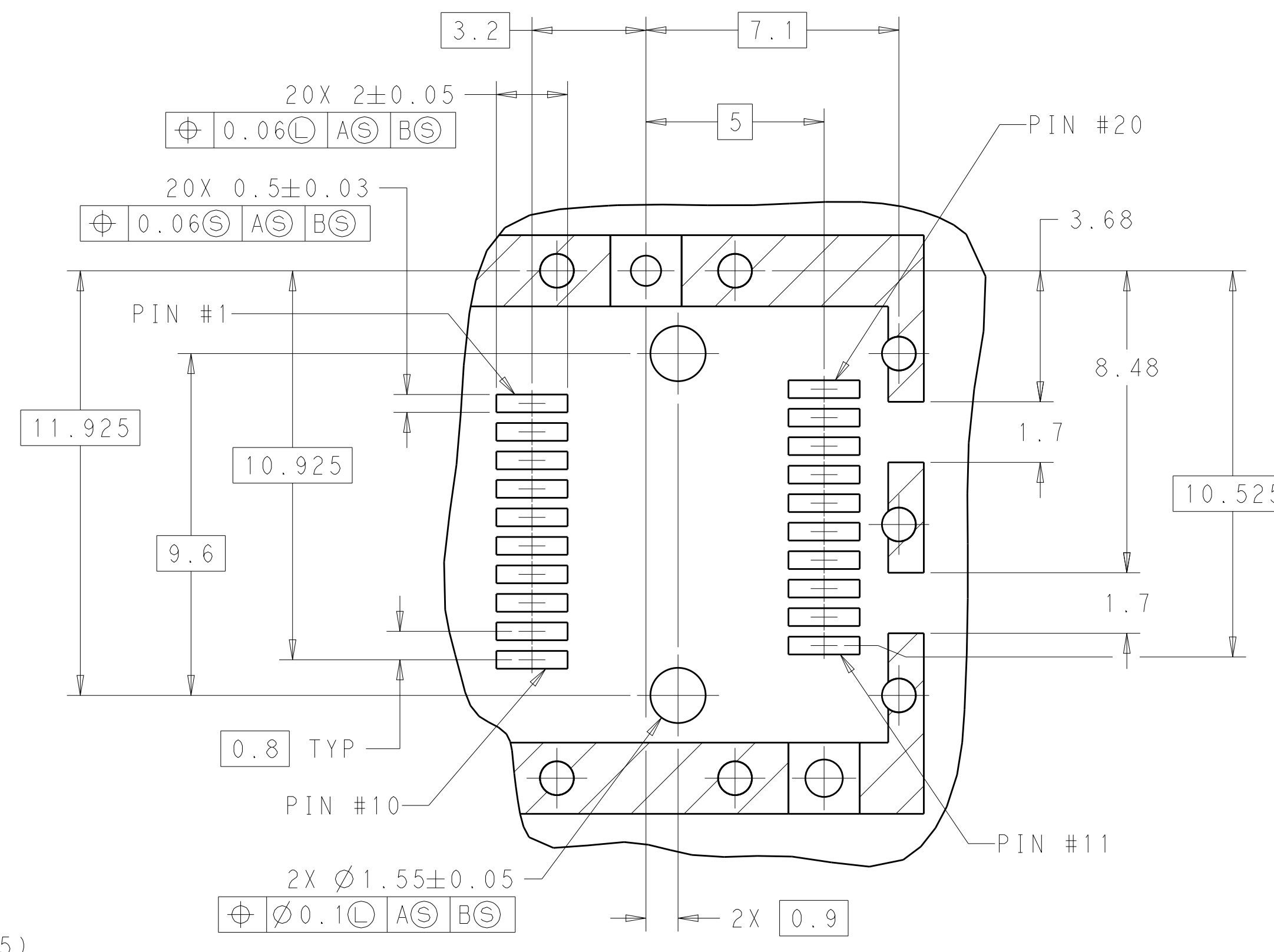
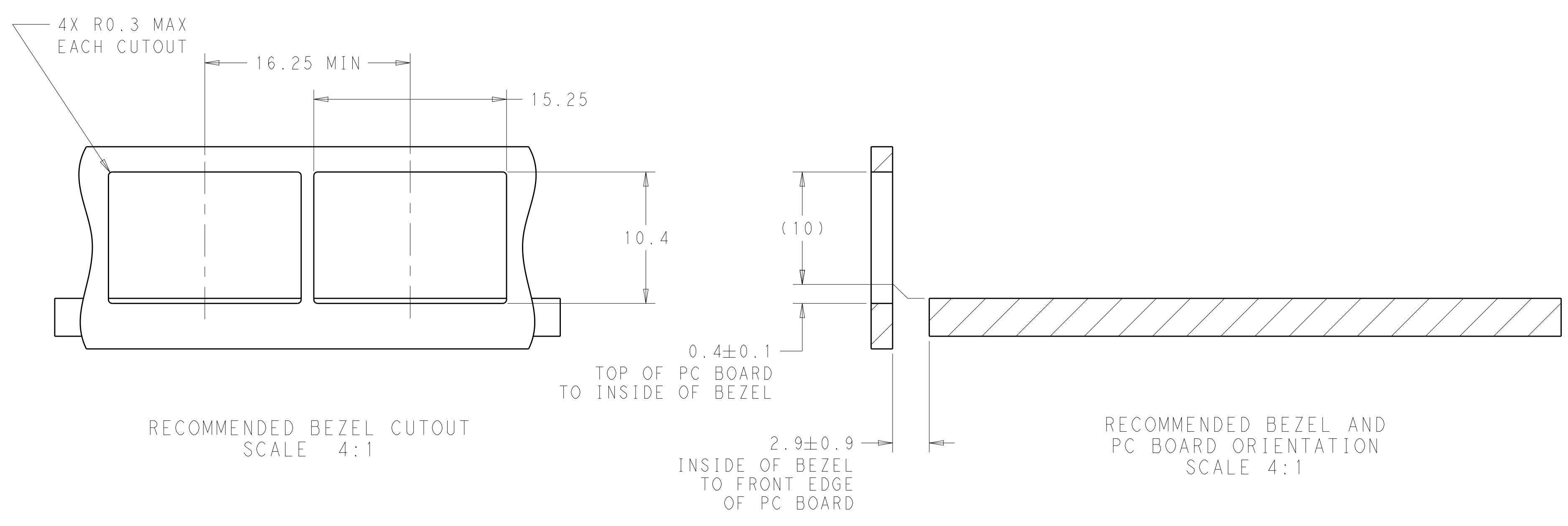
DIMENSIONS SAME AS 2227317-1

2227317-5
PART NUMBER

THIS DRAWING IS A CONTROLLED DOCUMENT. DIMENSIONING AND TOLERANCING PER ASME Y14.5M-2009.		DWN: C. VALENTINE 07NOV2012 CHK: M. SCHMITT 07NOV2012 APVD: M. SCHMITT 07NOV2012	STE TE Connectivity
DIMENSIONS: mm 	TOLERANCES UNLESS OTHERWISE SPECIFIED: 0 PLC ±. 1 PLC ±0.2 2 PLC ±0.1 3 PLC ±0.1 4 PLC ±. ANGLES ±. FINISH	NAME: SFP, 1X1 SINGLE PIECE CAGE, W/ LIGHT PIPES, PRESS FIT PRODUCT SPEC: 108-1950 APPLICATION SPEC: SIZE: 114-13120 WEIGHT:	RESTRICTED TO:
MATERIAL:		A100779C=2227317 Customer Drawing	SCALE: 6:1 SHEET 3 OF 4 REV: A2

LOC	DIST	REV	DATE	BY	APPV
GP	00				

REVISIONS		DATE	BY	APPV
1	SEE SHEET 1			



THIS DRAWING IS A CONTROLLED DOCUMENT. DIMENSIONING AND TOLERANCING PER ASME Y14.5M-2009		DWN: C. VALENTINE 07NOV2012	TE Connectivity
DIMENSIONS: mm		CHK: M. SCHMITT 07NOV2012	
TOLERANCES UNLESS OTHERWISE SPECIFIED:		APVD: M. SCHMITT 07NOV2012	NAME: SFP, 1X1 SINGLE PIECE CAGE, W/ LIGHT PIPES, PRESS FIT
0 PLC	±	PRODUCT SPEC	SIZE: CAGE CODE DRAWING NO
1 PLC	±0.2	108-1950	RESTRICTED TO
2 PLC	±0.1	APPLICATION SPEC	A100779C=2227317
3 PLC	±0.1	114-13120	SCALE 1:1 SHEET 4 OF 4 REV A2
4 PLC	±	WEIGHT	Customer Drawing
ANGLES	±		
MATERIAL	FINISH		

X-ON Electronics

Largest Supplier of Electrical and Electronic Components

Click to view similar products for [I/O Connectors](#) category:

Click to view products by [TE Connectivity](#) manufacturer:

Other Similar products are found below :

[571763P](#) [58098-0628](#) [72.250.1628.2](#) [72.250.2428.2](#) [74720-0505](#) [76.350.0729.0](#) [76871-1403](#) [FCN-244F080-G/1](#) [FCN-260A9920](#) [PCR-E36PM](#) [PCS-XE26MA+](#) [G38A71314B](#) [1571250010](#) [157-22500-3](#) [MS3471L14-19P L/C](#) [172501-4002](#) [172501-6002](#) [FCN-260C008-A/L0](#) [FCN-260C024-AL0](#) [FCN-261Z008](#) [2000314-1](#) [200331-1](#) [PCR-E36FC+](#) [PCS-E28FS+](#) [PCS-XE26SLFD+](#) [PCS-XE26SLFDT+](#) [G730VID08BDC24](#) [U90B2054081210](#) [38113800006](#) [DP3AR020WQ1R200](#) [Z4.102.0680.0](#) [500-1040](#) [500-1052](#) [500-1054](#) [ZP-4008-66L](#) [0709821002](#) [DX40-20P\(55\)](#) [5554841-1](#) [MS3474W18-8P-LC*](#) [U90B3054061110](#) [U65-E04-4020](#) [ZPF000000000097891](#) [747360449](#) [10099439-003C-TRLF](#) [10137239-0021LF](#) [E9320-001-01](#) [10137239-0011LF](#) [70289-001LF](#) [70.060.1028.0](#) [109029-ZZ](#)