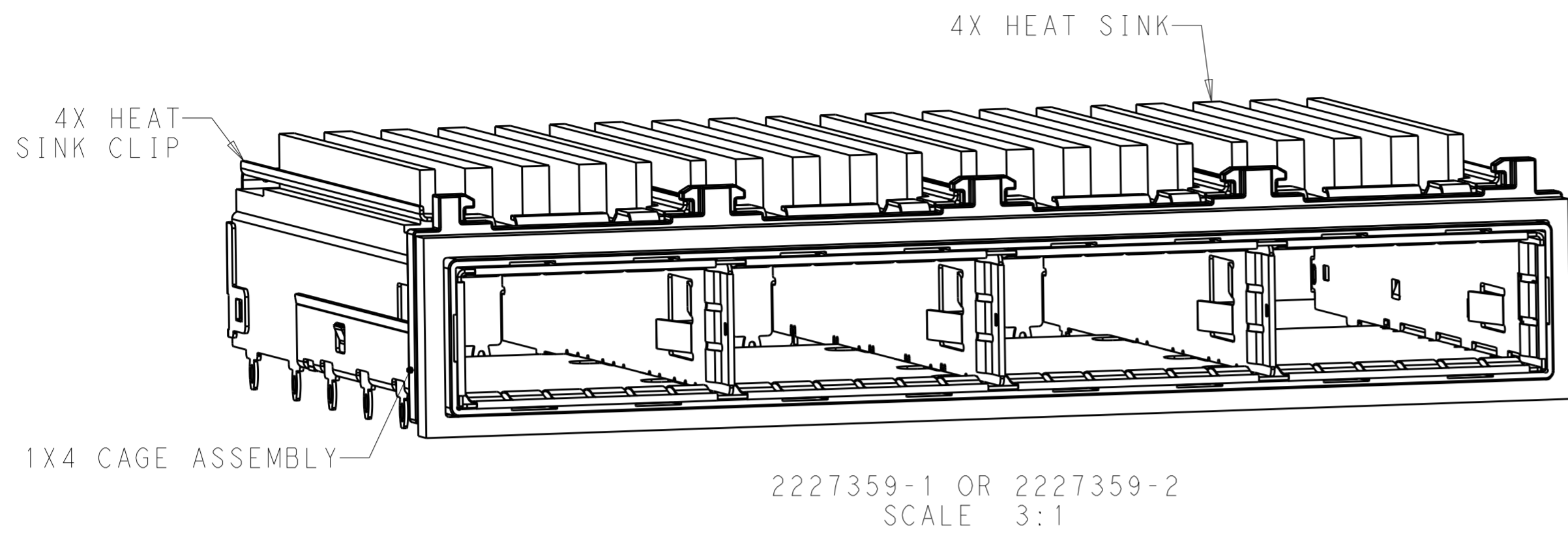


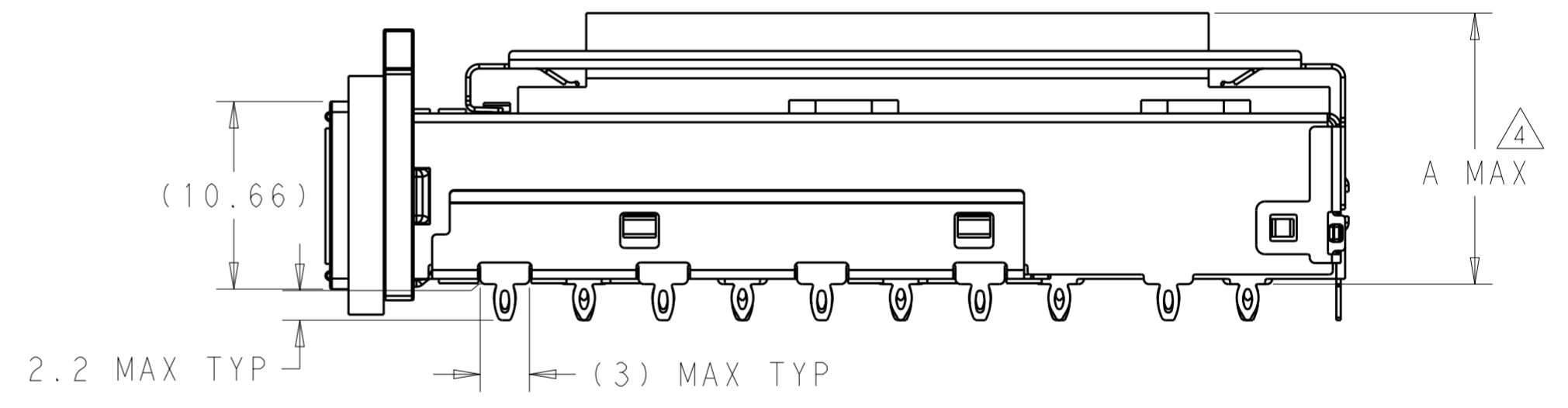
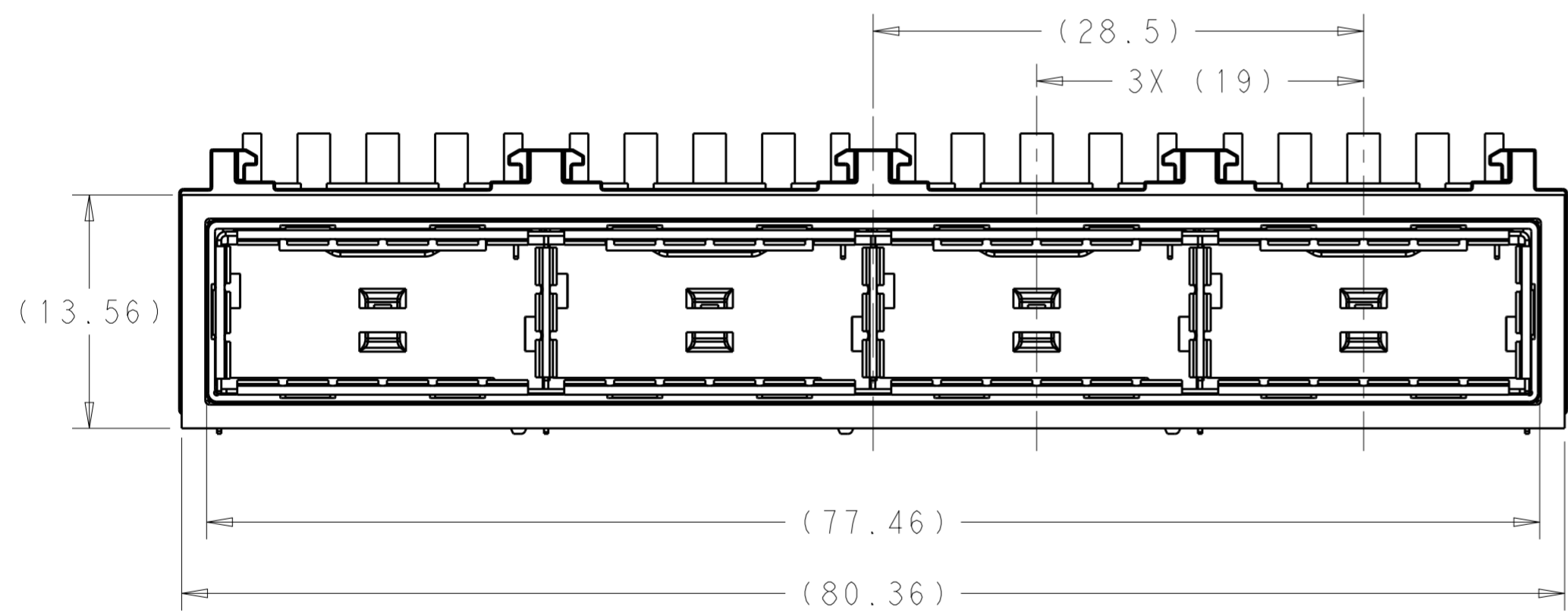
THIS DRAWING IS UNPUBLISHED. RELEASED FOR PUBLICATION 20  
 © COPYRIGHT 20 BY - ALL RIGHTS RESERVED.

LOC		DIST		REVISIONS			
P	LTR	DESCRIPTION	DATE	DWN	APVD		
GP	00						
	6	UPDATE	25JUN2013	JY	AC		
	A	INITIAL RELEASE	16DEC2014	JY	MC		



- COMPONENTS  
 CAGE ASSEMBLY: NICKEL-SILVER ALLOY  
 HEAT SINK: ALUMINUM/NICKEL PLATE  
 HEAT SINK CLIP: STAINLESS STEEL  
 EMI SPRING: COPPER ALLOY/TIN PLATE  
 FRONT FLANGE: STAINLESS STEEL  
 EMI GASKET: SILVER PLATED URETHANE

- REFERENCE APPLICATION SPECIFICATION 114-32046 FOR RECOMMENDED DRILL HOLE DIAMETER AND PLATING THICKNESS
- DATUM AND BASIC DIMENSION ESTABLISHED BY CUSTOMER WITH MODULE INSERTED IN CAGE
- HEAT SINKS, HEAT SINK CLIPS ARE SHIPPED ASSEMBLED ON CAGE

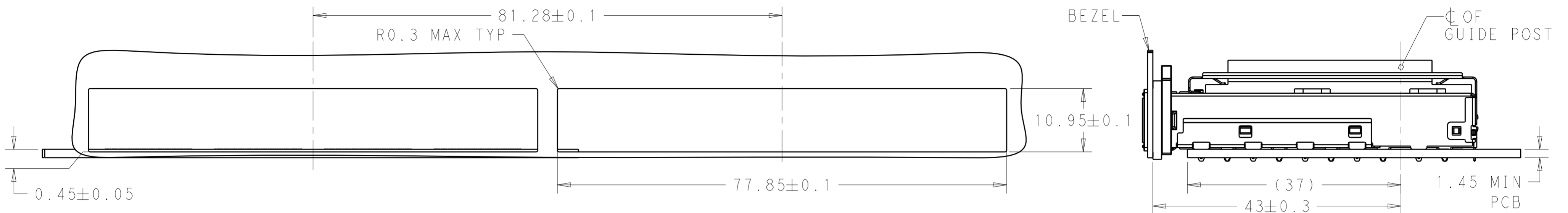


18.61	2227359-2
16.66	2227359-1
DIM A	PART NUMBER

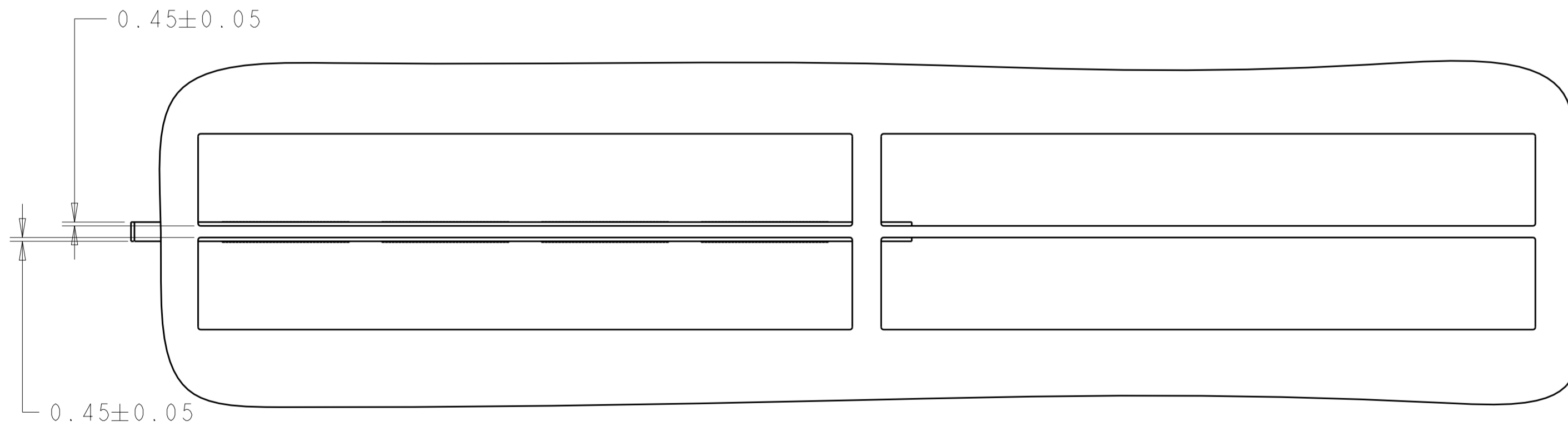
THIS DRAWING IS A CONTROLLED DOCUMENT.		DWN M. E. COWHER 10OCT2012	TE Connectivity	
DIMENSIONS: mm		CHK M. D. MORRISON 10OCT2012		
TOLERANCES UNLESS OTHERWISE SPECIFIED:		APVD M. D. MORRISON 10OCT2012	NAME RECEPTACLE ASSEMBLY, THRU BEZEL, 1X4, QSFP28	
0 PLC ± 1 PLC ± 2 PLC ± 3 PLC ± 4 PLC ± ANGLES ± FINISH ±		PRODUCT SPEC 108-19428	SIZE A200779	
MATERIAL SEE NOTES		APPLICATION SPEC	DRAWING NO C-2227359	
WEIGHT		Customer Drawing	RESTRICTED TO	
SCALE 3:1		SHEET 1 OF 5		REV A

THIS DRAWING IS UNPUBLISHED. RELEASED FOR PUBLICATION 20  
 © COPYRIGHT 20 BY - ALL RIGHTS RESERVED.

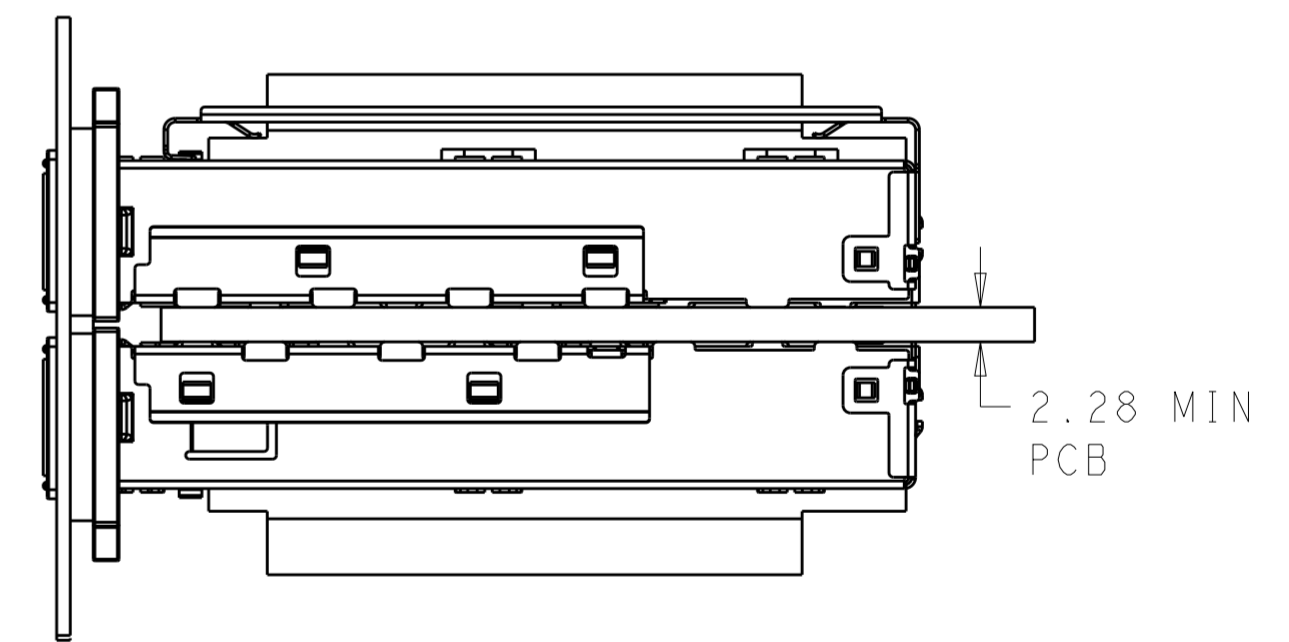
LOC	DIST	REVISIONS					
GP	00	P	LTR	DESCRIPTION	DATE	DWN	APVD
		-		SEE SHEET 1			




SHOWN IN SINGLE SIDE  
 BEZEL/PCB CONFIGURATION  
 SCALE 2:1



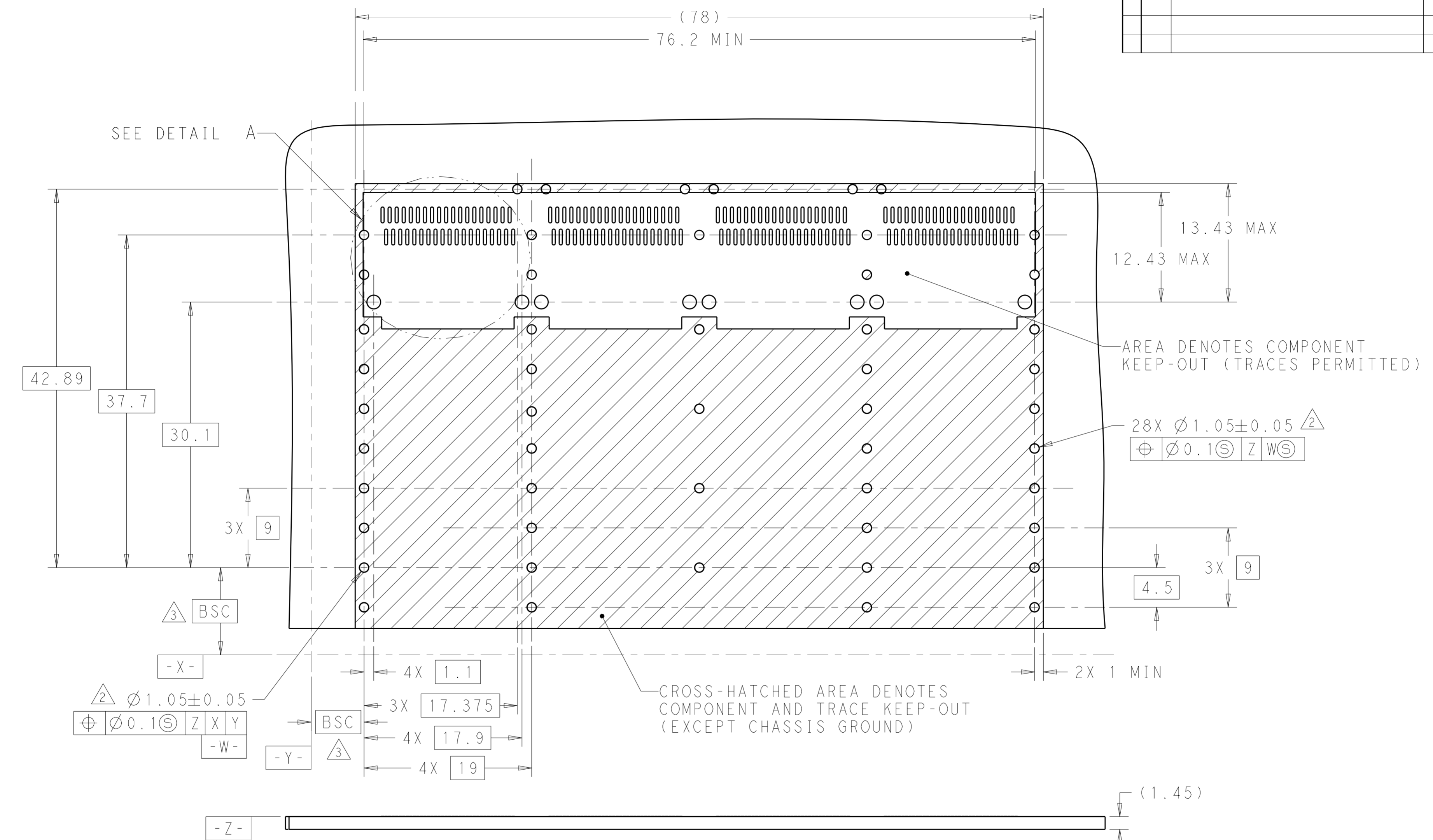
SHOWN IN BELLY TO BELLY  
 BEZEL/PCB CONFIGURATION  
 SAME AS ABOVE, EXCEPT AS SHOWN  
 SCALE 2:1



THIS DRAWING IS A CONTROLLED DOCUMENT.		DWN M. E. COWHER 10OCT2012	 TE Connectivity	
DIMENSIONS: mm		CHK M. D. MORRISON 10OCT2012		
TOLERANCES UNLESS OTHERWISE SPECIFIED:		APVD M. D. MORRISON 10OCT2012	NAME RECEPTACLE ASSEMBLY, THRU BEZEL, 1X4, QSFP28	
0 PLC ±	1 PLC ±	PRODUCT SPEC 108-19428	SIZE A200779	DRAWING NO C-2227359
2 PLC ±	3 PLC ±	APPLICATION SPEC	RESTRICTED TO	
4 PLC ±	ANGLES ±	WEIGHT	SCALE 3:1 SHEET 2 OF 5 REV A	
MATERIAL	FINISH	Customer Drawing		
SEE NOTES	SEE NOTES			

THIS DRAWING IS UNPUBLISHED. RELEASED FOR PUBLICATION 20  
 © COPYRIGHT 20 BY - ALL RIGHTS RESERVED.

LOC	DIST	REVISIONS					
GP	00	P	LTR	DESCRIPTION	DATE	DWN	APVD
		-		SEE SHEET 1			

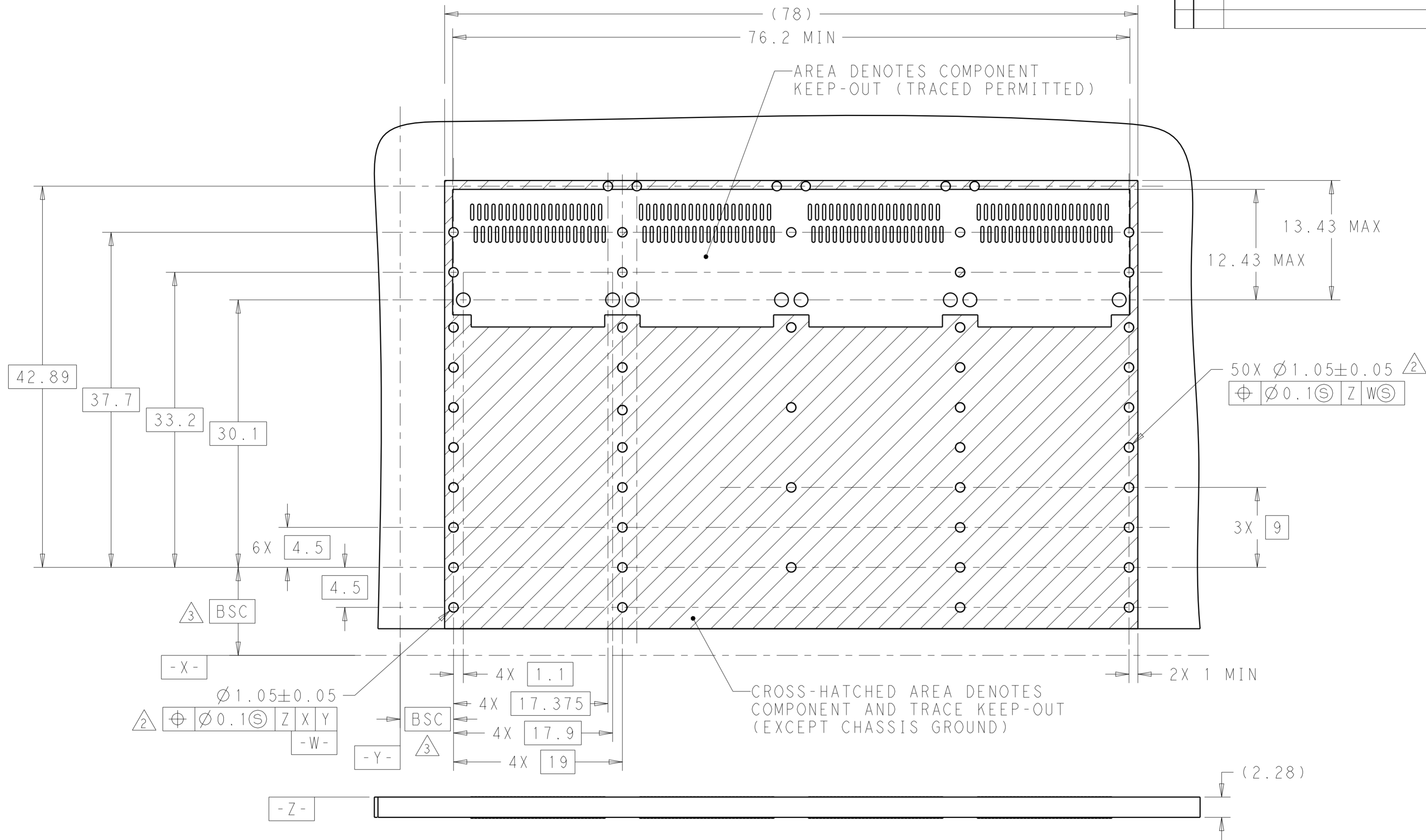


RECOMMENDED PCB LAYOUT  
 SINGLE SIDE MOUNTED CONFIGURATION  
 SCALE 3:1

THIS DRAWING IS A CONTROLLED DOCUMENT.		DWN M. E. COWHER 10OCT2012	TE Connectivity	
DIMENSIONS: mm		CHK M. D. MORRISON 10OCT2012		
TOLERANCES UNLESS OTHERWISE SPECIFIED:		APVD M. D. MORRISON 10OCT2012	NAME RECEPTACLE ASSEMBLY, THRU BEZEL, 1X4, QSF28	
0 PLC ± 1 PLC ± 2 PLC ± 3 PLC ± 4 PLC ± ANGLES ± FINISH ±		PRODUCT SPEC 108-19428	RESTRICTED TO	
MATERIAL		APPLICATION SPEC	SIZE A2	CAGE CODE 00779
SEE NOTES		WEIGHT	DRAWING NO C-2227359	SCALE 3:1
		Customer Drawing	SHEET 3	OF 5
			REV A	

THIS DRAWING IS UNPUBLISHED. RELEASED FOR PUBLICATION 20  
 © COPYRIGHT 20 BY - ALL RIGHTS RESERVED.

LOC	DIST	REVISIONS					
GP	00	P	LTR	DESCRIPTION	DATE	DWN	APVD
		-		SEE SHEET 1			

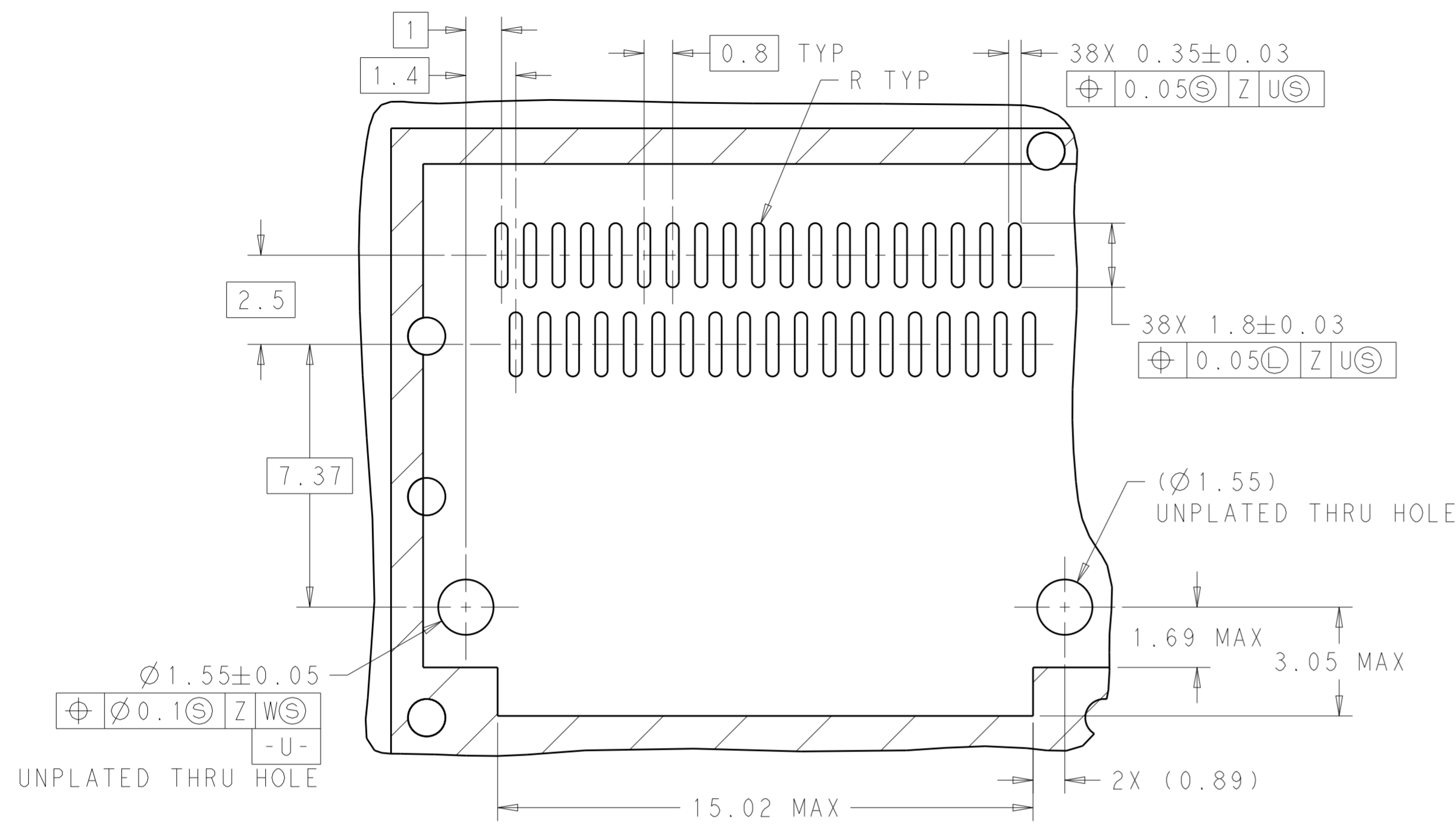


RECOMMENDED PCB LAYOUT  
 BELLY TO BELLY MOUNTED CONFIGURATION  
 SCALE 3:1

THIS DRAWING IS A CONTROLLED DOCUMENT.		DWN M. E. COWHER 10OCT2012	 TE Connectivity
DIMENSIONS: mm		CHK M. D. MORRISON 10OCT2012	
TOLERANCES UNLESS OTHERWISE SPECIFIED:		APVD M. D. MORRISON 10OCT2012	
0 PLC ± 1 PLC ± 2 PLC ± 3 PLC ± 4 PLC ± ANGLES ± FINISH ±		PRODUCT SPEC 108-19428 APPLICATION SPEC - WEIGHT -	
MATERIAL SEE NOTES		NAME RECEPTACLE ASSEMBLY, THRU BEZEL, 1X4, QSFP28	
SEE NOTES		SIZE A200779	
SEE NOTES		DRAWING NO C-2227359	
SEE NOTES		RESTRICTED TO -	
SEE NOTES		SCALE 3:1 SHEET 4 OF 5 REV A	

THIS DRAWING IS UNPUBLISHED. RELEASED FOR PUBLICATION 20  
 © COPYRIGHT 20 BY - ALL RIGHTS RESERVED.

LOC	DIST	REVISIONS					
GP	00	P	LTR	DESCRIPTION	DATE	DWN	APVD
		-		SEE SHEET 1	-	-	-



DETAIL A  
 RECOMMENDED CONNECTOR LAYOUT  
 (APPLIES TO ALL PCB LAYOUTS)  
 4X INDIVIDUALLY  
 SCALE 8:1

THIS DRAWING IS A CONTROLLED DOCUMENT.		DWN M. E. COWHER 10OCT2012	TE Connectivity	
DIMENSIONS: mm		CHK M. D. MORRISON 10OCT2012		
TOLERANCES UNLESS OTHERWISE SPECIFIED:		APVD M. D. MORRISON 10OCT2012	NAME RECEPTACLE ASSEMBLY, THRU BEZEL, 1X4, QSFP28	
0 PLC ± 1 PLC ± 2 PLC ± 3 PLC ± 4 PLC ± ANGLES ± FINISH ±		PRODUCT SPEC 108-19428	SIZE A200779	DRAWING NO C-2227359
MATERIAL SEE NOTES		WEIGHT -	RESTRICTED TO -	SCALE 3:1
SEE NOTES		Customer Drawing	SHEET 5	OF 5 REV A

## X-ON Electronics

Largest Supplier of Electrical and Electronic Components

*Click to view similar products for [I/O Connectors](#) category:*

*Click to view products by [TE Connectivity](#) manufacturer:*

Other Similar products are found below :

[571763P](#) [72.250.1628.2](#) [72.250.2428.2](#) [74720-0505](#) [76.350.0729.0](#) [76871-1403](#) [FCN-244F080-G/1](#) [FCN-260A9920](#) [MP-5T180MUNNA-005](#)  
[PCR-E36PM](#) [PCS-XE26MA+](#) [G38A71314B](#) [1571250010](#) [157-22500-3](#) [MS3471L14-19P L/C](#) [91-569786-35H](#) [172501-4002](#) [172501-6002](#)  
[FCN-260C008-A/L0](#) [FCN-260C024-AL0](#) [FCN-261Z008](#) [2000314-1](#) [200331-1](#) [PCR-E36FC+](#) [PCS-E28FS+](#) [PCS-XE26SLFD+](#) [PCS-](#)  
[XE26SLFDT+](#) [G730VID08BDC24](#) [HDMR-29-01-S-SM-TR](#) [U90B2054081210](#) [UE86K842720321](#) [38113800006](#) [DP3AR020WQ1R200](#)  
[Z4.102.0680.0](#) [500-1040](#) [500-1052](#) [500-1054](#) [ZP-4008-66L](#) [0709821002](#) [10-565995-597N](#) [DX40-20P\(55\)](#) [5554841-1](#) [U90B3054061110](#)  
[U65-E04-4020](#) [ZPF00000000097891](#) [557-262M2-06C](#) [747360449](#) [10099439-003C-TRLF](#) [10137239-0021LF](#) [E9320-001-01](#)