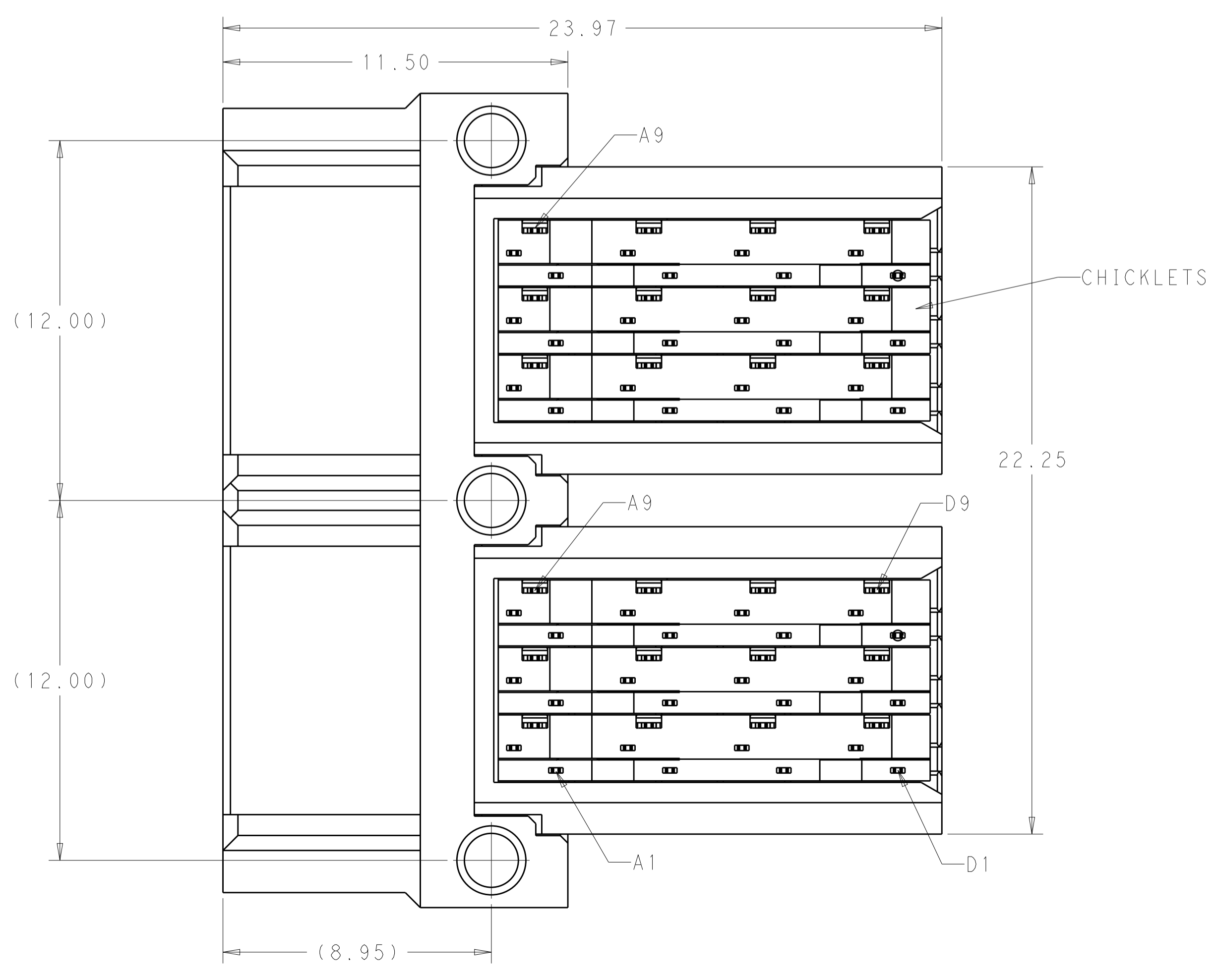
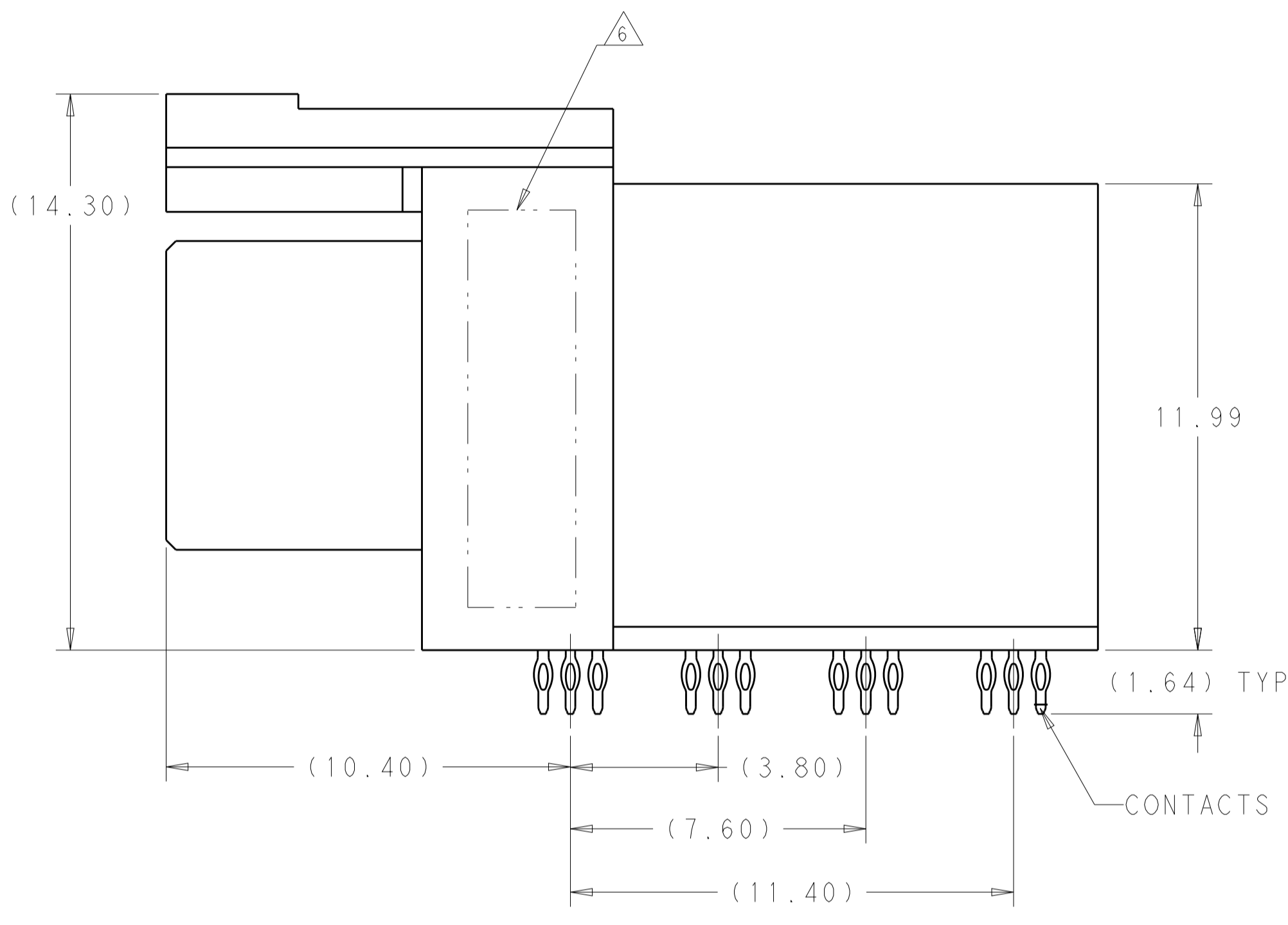
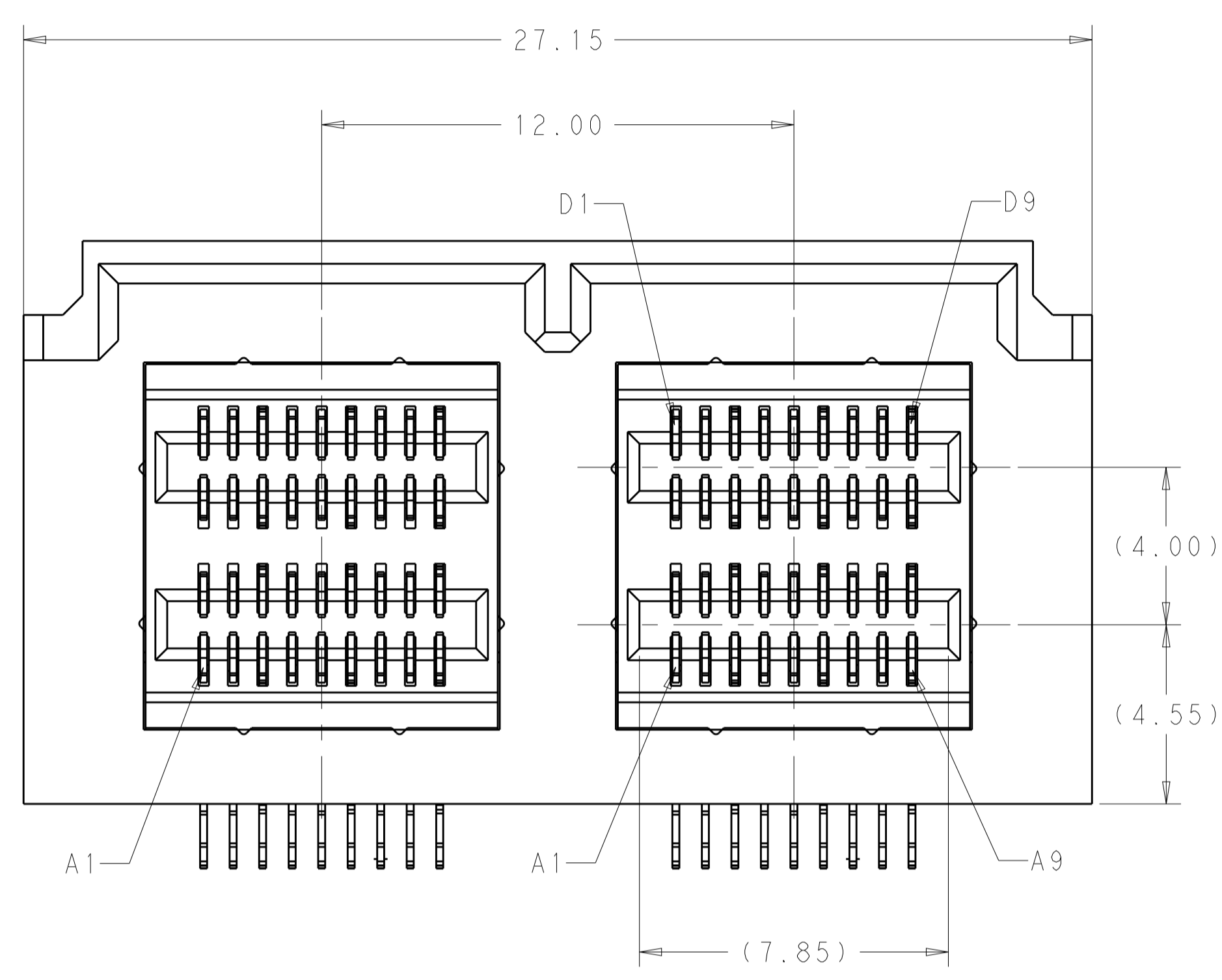
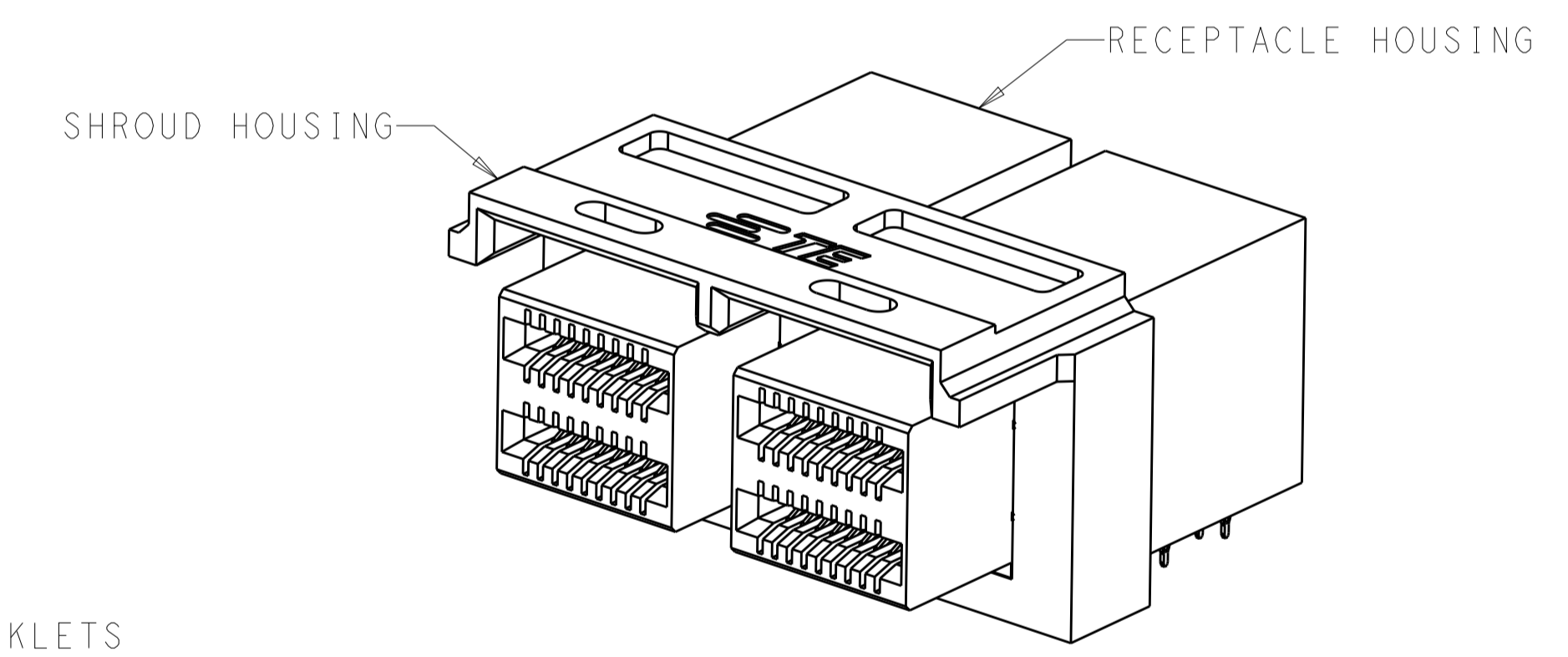


LOC		DIST		REVISIONS			
GP	00	P	LTN	DESCRIPTION	DATE	DWN	APVD
		A		REVISED PER ECO-15-000199	13JAN2015	AP	DG
		B		REVISED PER ECO-17-013690	07AUG2017	JY	SH
		D		REVISED PER ECO-18-008478	10MAY2018	JY	SH



- ⚠ MATERIALS  
HOUSINGS AND CHICKLETS: LCP, BLACK, UL94V-0 RATED  
CONTACTS: COPPER ALLOY
- ⚠ CONTACT FINISH: CONFORMS TO THE REQUIREMENTS OF TE PRODUCT SPECIFICATION, 108-32038. BASED ON EIA/ECA-364-1000.01A. (CONTROLLED ENVIRONMENT APPLICATIONS) ON MATING END. TIN PLATED ON PCB TAIL
- 3. MATES WITH TE PLUG 2227603-1
- ⚠ MOUNTING HARDWARE M2x1.35 SELF-THREADING SCREW  
SCREW LENGTH OF FASTENER = PCB THICKNESS + 3.0mm MAX (1.75mm MIN)  
MOUNTING HARDWARE IS NOT SUPPLIED BY TE.
- ⚠ RECOMMENDED COMPONENT KEEP OUT ZONE.
- ⚠ PART NUMBER AND DATE CODE MARKED IN APPROXIMATE AREA SHOWN ON OPPOSITE SIDE.
- ⚠ MOUNTING HARDWARE M2x1.35 SELF-THREADING SCREW  
SCREW LENGTH OF FASTENER = PCB THICKNESS + 5.0mm MAX (1.75mm MIN)  
MOUNTING HARDWARE IS NOT SUPPLIED BY TE.
- ⚠ MOUNTING HARDWARE M2x0.0.78 OR M1.8x0.709 SELF-THREADING SCREW (DELTA PT® THREAD-FORMING FASTENER), SCREW LENGTH OF FASTENER = PCB THICKNESS + 5.0mm MAX (1.75mm MIN),  
MOUNTING HARDWARE IS NOT SUPPLIED BY TE.



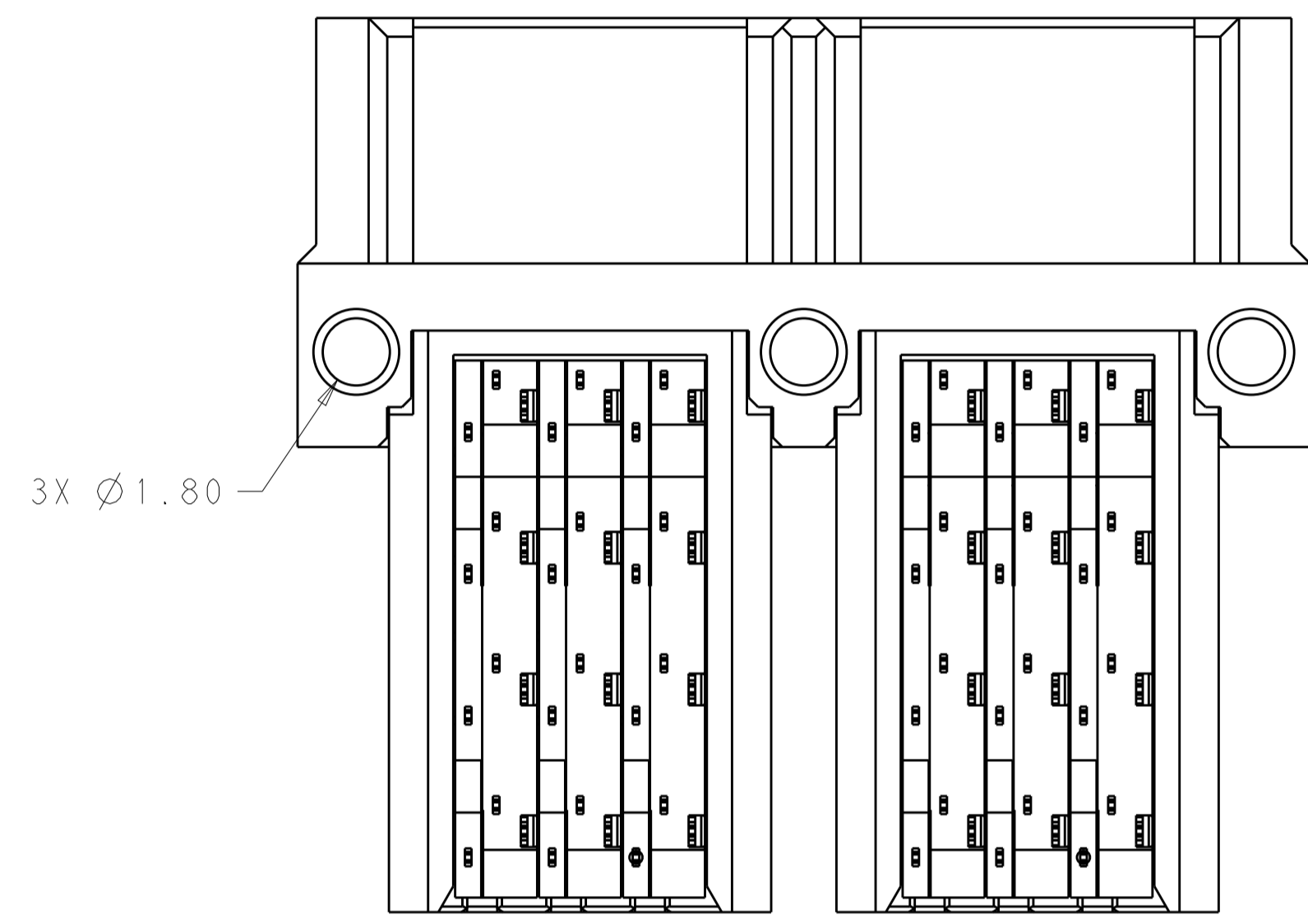
SCREW APPLICATION	DIAMETER OF SCREW HOLES	PART NUMBER
⚠	Ø1.60	2227581-3
⚠	Ø1.80	2227581-2
⚠	Ø1.80	2227581-1

THIS DRAWING IS A CONTROLLED DOCUMENT. DWN: R. IREA 19DEC2012  
 CHK: R. HENRY 19DEC2012

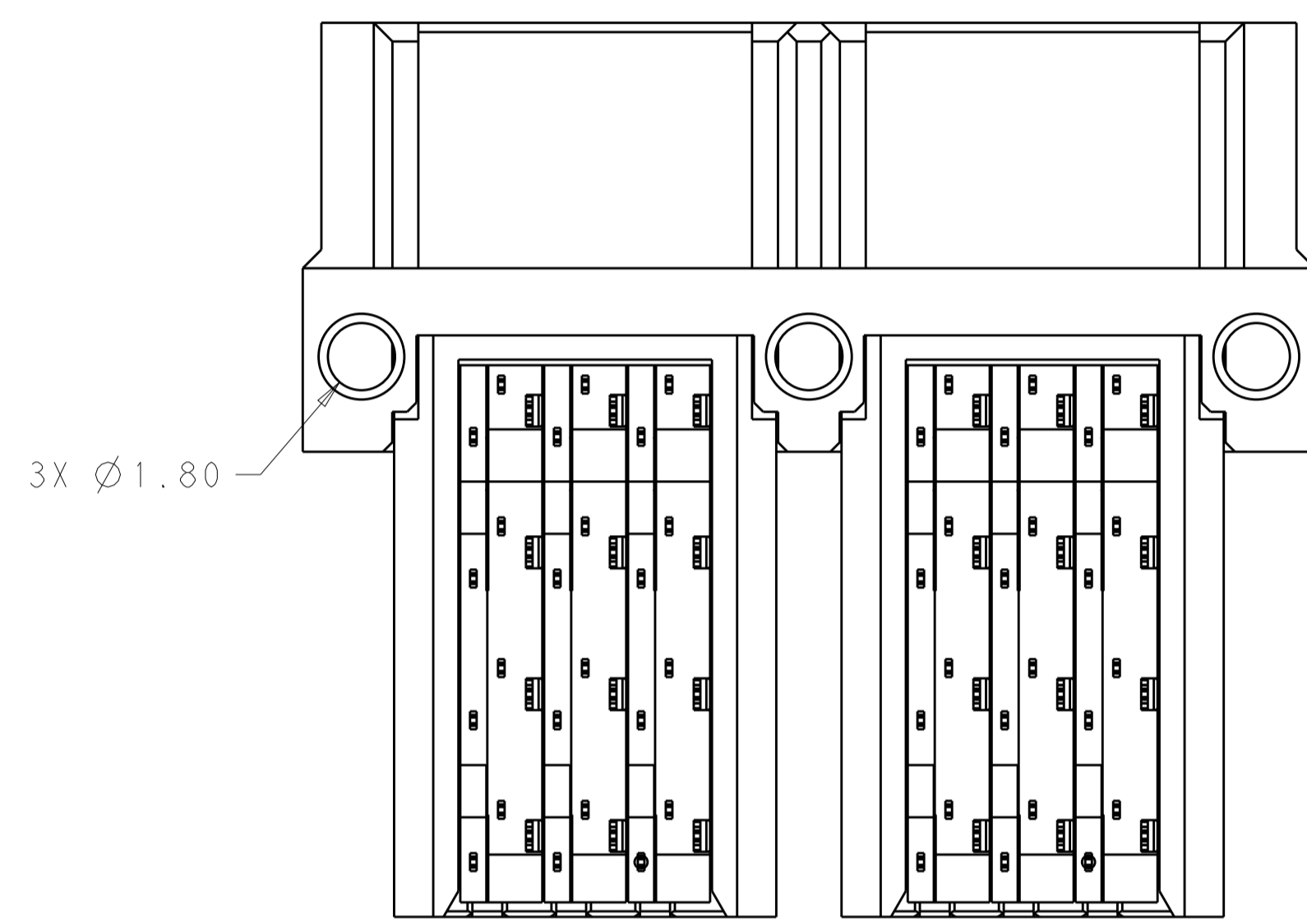
DIMENSIONS:	TOLERANCES UNLESS OTHERWISE SPECIFIED:	NAME	RECEPTACLE ASSEMBLY, 1X2, RIGHT ANGLE, INTERNAL MINI-SAS HD
mm	0 PLC ± 2 PLC ±0.13 3 PLC ± 4 PLC ± ANGLES ±	PRODUCT SPEC	108-32038
MATERIAL	FINISH	APPLICATION SPEC	114-32101
⚠	⚠	SIZE	114-32101
		WEIGHT	
		CUSTOMER DRAWING	A100779C=2227581

SCALE 8:1 SHEET 1 OF 3 REV D

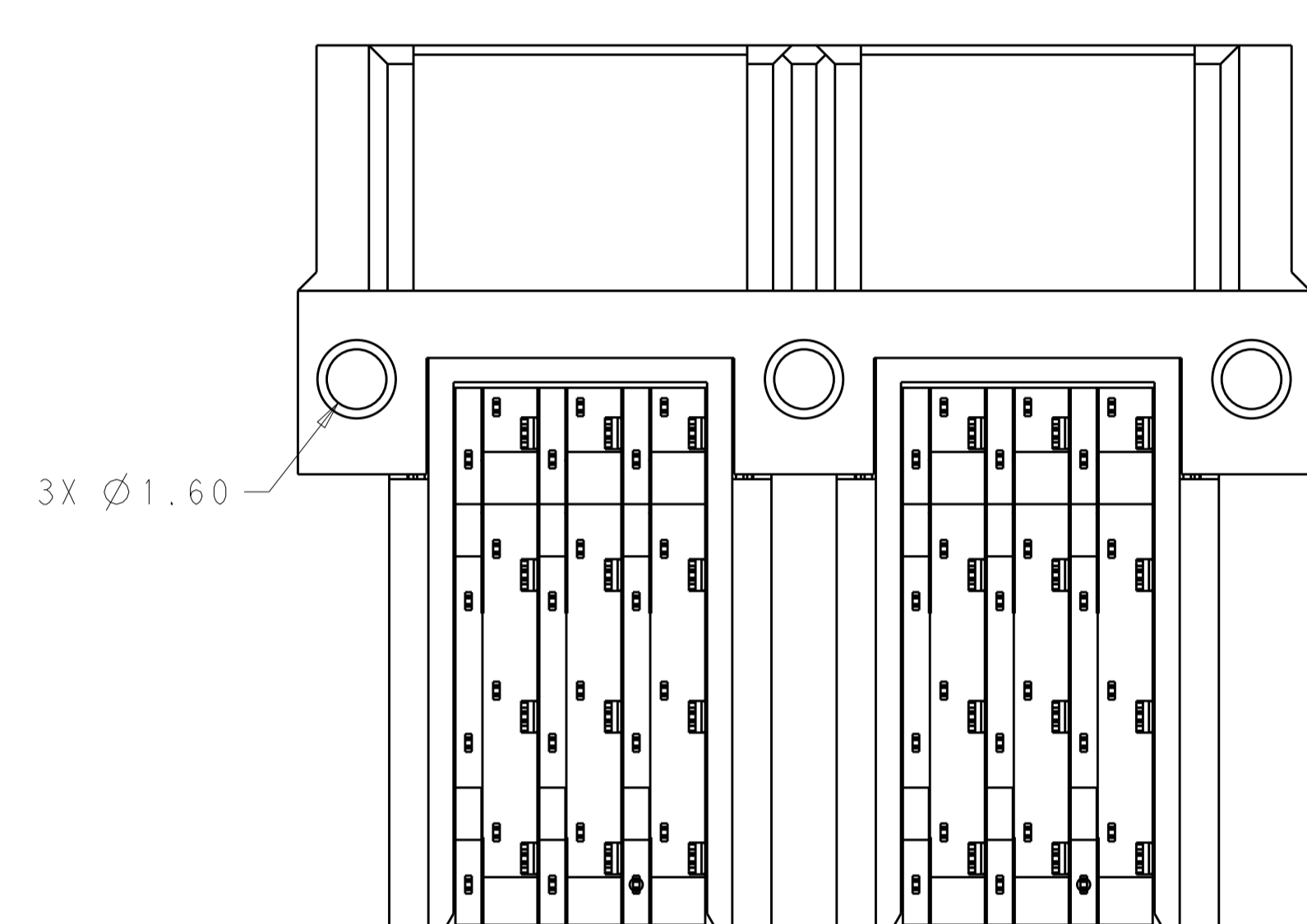
LOC	DIST	REVISIONS			
P	LTN	DESCRIPTION	DATE	DMN	APVD
GP	00	- SEE SHEET 1	-	-	-



2227581-1  
SCALE 6:1



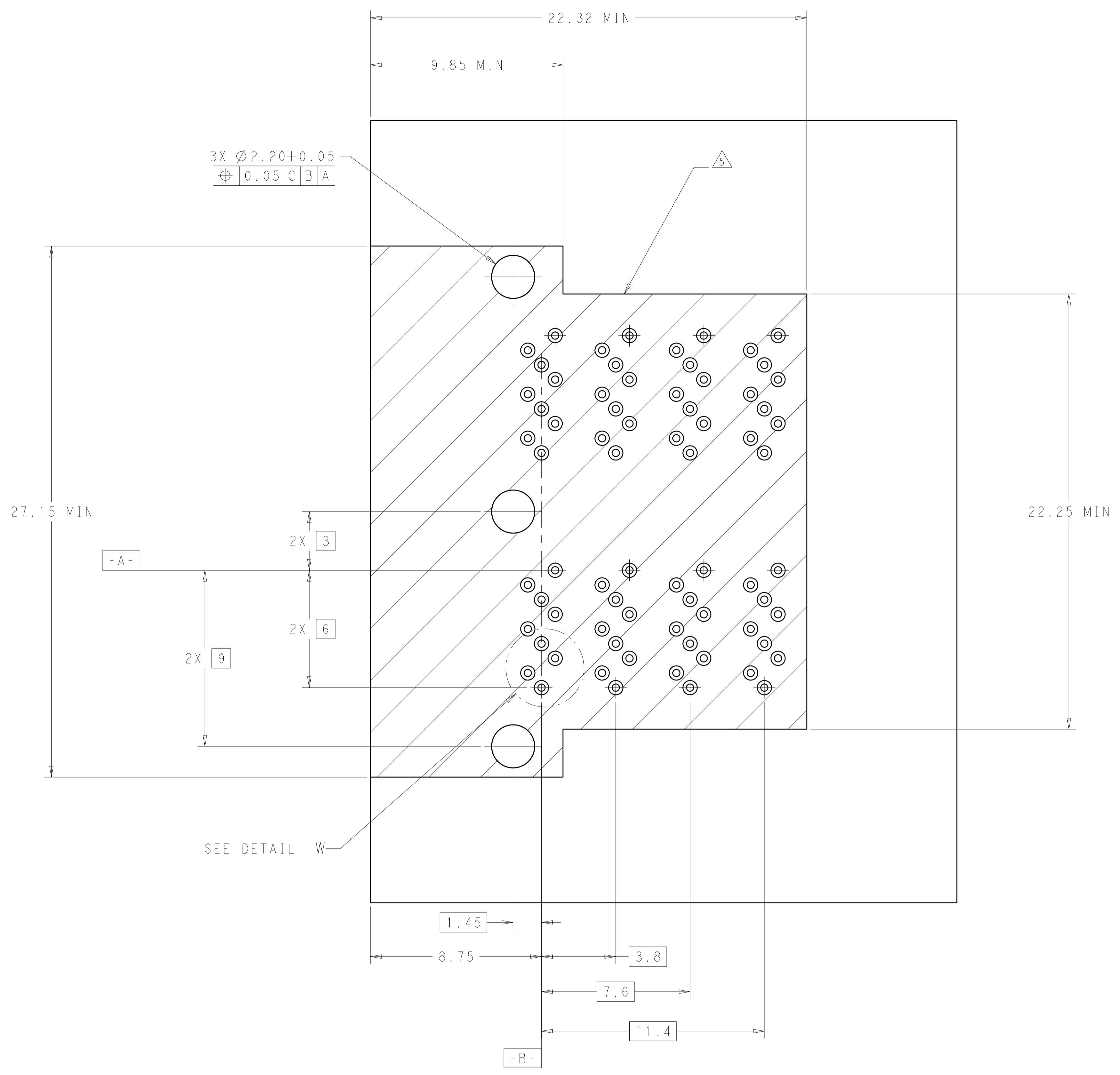
2227581-2  
SCALE 6:1



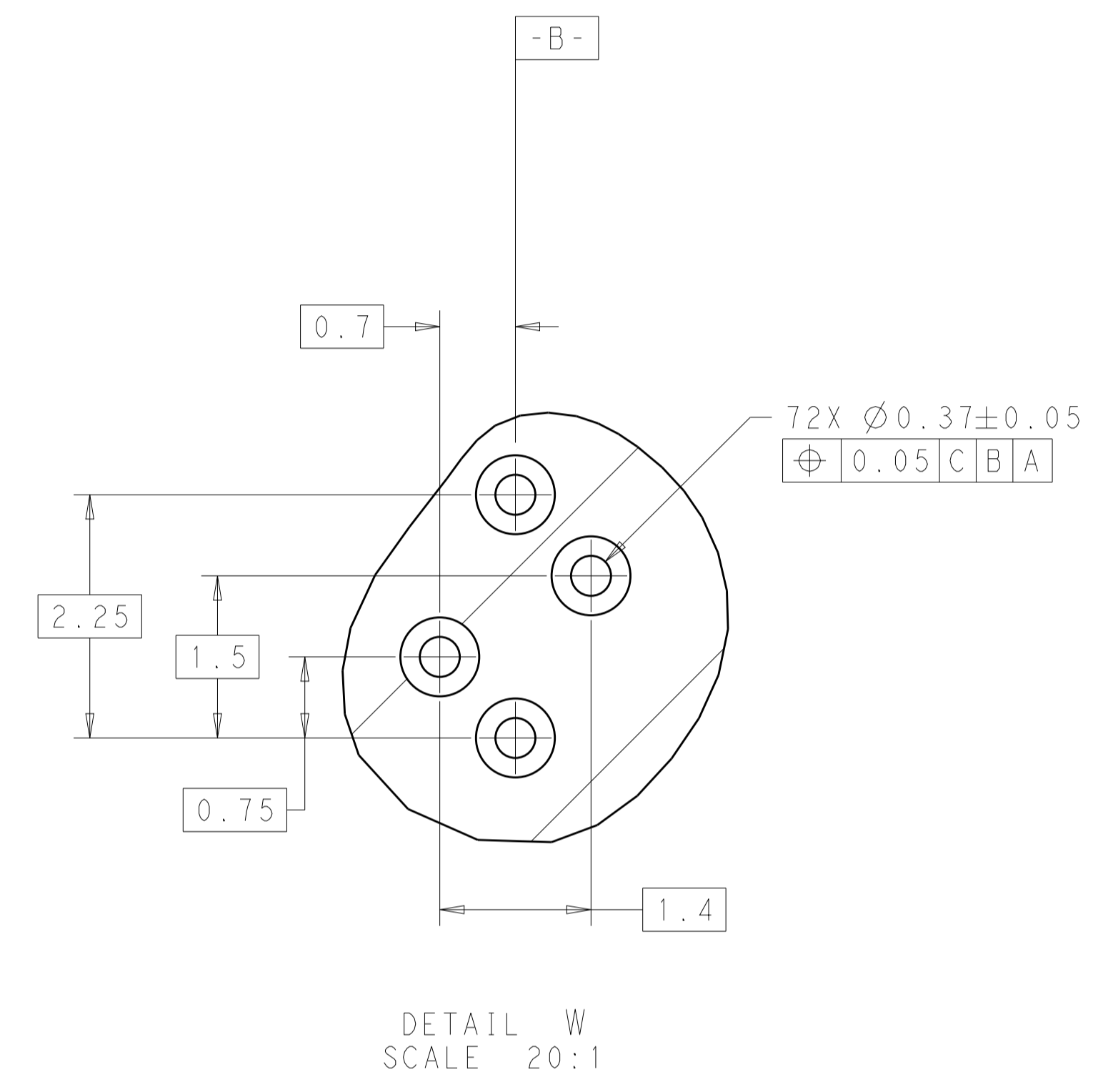
2227581-3  
SCALE 6:1

THIS DRAWING IS A CONTROLLED DOCUMENT.		DMN R. IREA 19DEC2012	
DIMENSIONS:		CHK R. HENRY 19DEC2012	
mm	TOLERANCES UNLESS OTHERWISE SPECIFIED:	APVD	NAME
0 PLC ±	1 PLC ±	PRODUCT SPEC	RECEPTACLE ASSEMBLY,
2 PLC ±0.13	3 PLC ±	108-32038	1X2, RIGHT ANGLE,
4 PLC ±	ANGLES ±	APPLICATION SPEC	INTERNAL MINI-SAS HD
MATERIAL	FINISH	114-32101	SIZE CAGE CODE DRAWING NO
		WEIGHT	A100779C=2227581
		CUSTOMER DRAWING	RESTRICTED TO
		SCALE 8:1	SHEET 2 OF 3
			REV D

LOC	DIST	REVISIONS			
P	LTN	DESCRIPTION	DATE	DWN	APVD
GP	00	SEE SHEET 1	-	-	-



RECOMMENDED PCB LAYOUT  
SCALE 8:1



THIS DRAWING IS A CONTROLLED DOCUMENT.		DWN R. IREA 19DEC2012	TE Connectivity
DIMENSIONS: mm		CHK R. HENRY 19DEC2012	
TOLERANCES UNLESS OTHERWISE SPECIFIED:		APVD	NAME
0 PLC ±	1 PLC ±0.13	PRODUCT SPEC	RECEPTACLE ASSEMBLY, 1X2, RIGHT ANGLE, INTERNAL MINI-SAS HD
2 PLC ±	3 PLC ±	APPLICATION SPEC	SIZE CAGE CODE DRAWING NO
4 PLC ±	ANGLES ±	114-32101	A100779C=2227581
MATERIAL	FINISH	WEIGHT	RESTRICTED TO
-	-	-	CUSTOMER DRAWING
SCALE 8:1		SHEET 3 OF 3	REV D

## X-ON Electronics

Largest Supplier of Electrical and Electronic Components

*Click to view similar products for [I/O Connectors](#) category:*

*Click to view products by [TE Connectivity](#) manufacturer:*

Other Similar products are found below :

[571763P](#) [58098-0628](#) [D20419-211](#) [D38999/20FJ24PA L/C](#) [D38999/20FJ29SB L/C](#) [D38999/24FG11SN L/C](#) [72.250.1628.2](#) [72.250.2428.2](#)  
[74720-0505](#) [76.350.0729.0](#) [76871-1403](#) [FCN-244F080-G/1](#) [FCN-260A9920](#) [FCN-268D024-G/2F#10X-R10](#) [PCS-E50FA](#) [PCS-XE26LKA](#)  
[PCS-XE26MA+](#) [PCS-XES68MS+](#) [G38A71314B](#) [DX40-50P\(55\)](#) [1571250010](#) [157-22500-3](#) [MS3471L14-19P L/C](#) [1888020-8](#) [91-569786-](#)  
[35H](#) [91-569786-35M](#) [91-644626-35P](#) [SM3100F14S-58S](#) [172501-4002](#) [172501-6002](#) [FCN-260C008-A/L0](#) [FCN-260C024-AL0](#) [FCN-](#)  
[261Z008](#) [FCN-268D008-G/1K](#) [2000314-1](#) [200331-1](#) [2007498-2](#) [PCR-E28LMDAG1+](#) [PCR-E36FC+](#) [PCS-E28FS+](#) [PCS-XE26SLFD+](#) [PCS-](#)  
[XE26SLFDT+](#) [G38A71214B](#) [HDRA-E68W1LFDTC-SL+](#) [HDR-E14MSG1+](#) [R88A-CNK81S](#) [CRT1-ATT02](#) [54182-0605](#) [U90B2054081210](#)  
[UE86K842720321](#)