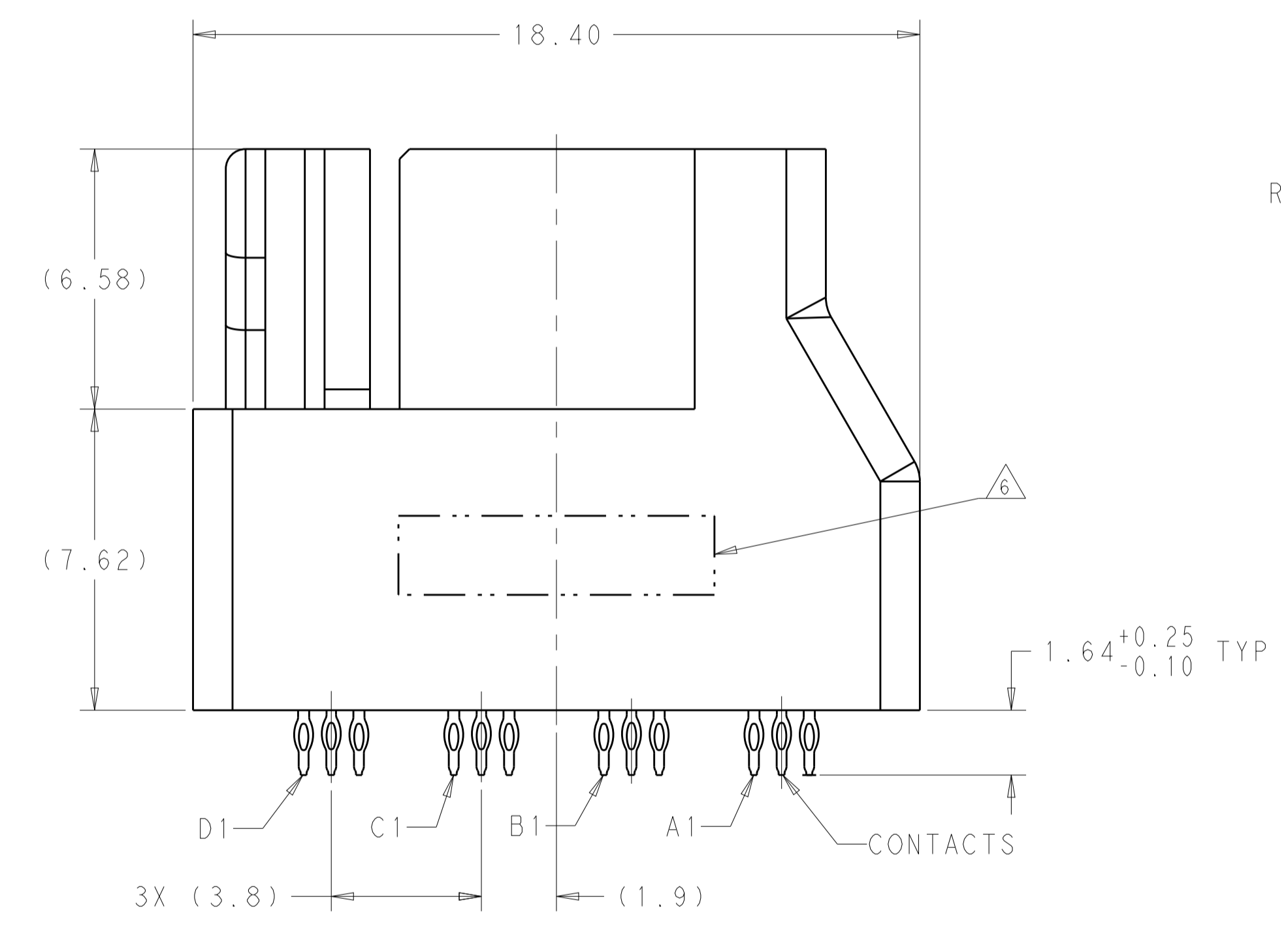
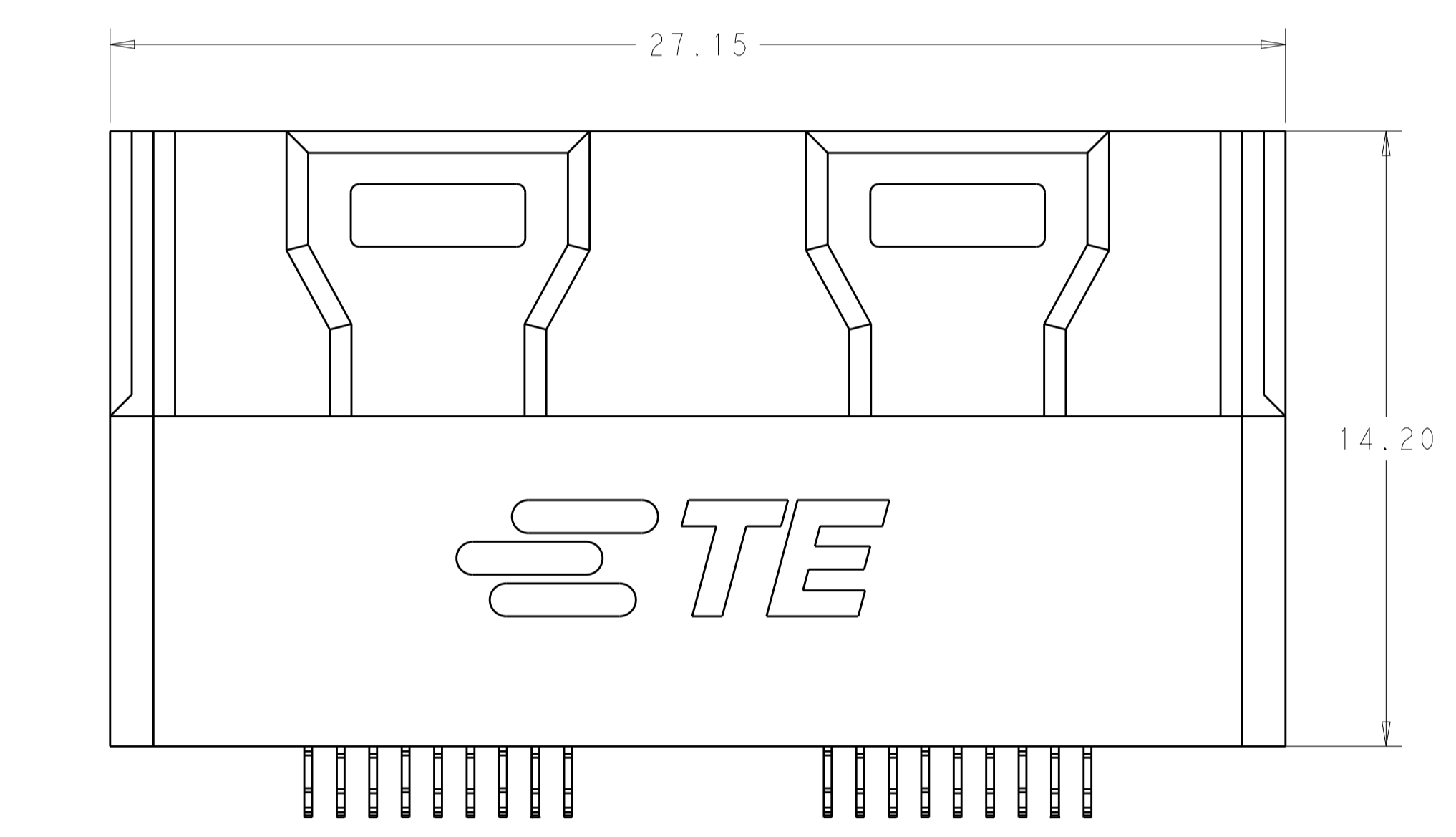
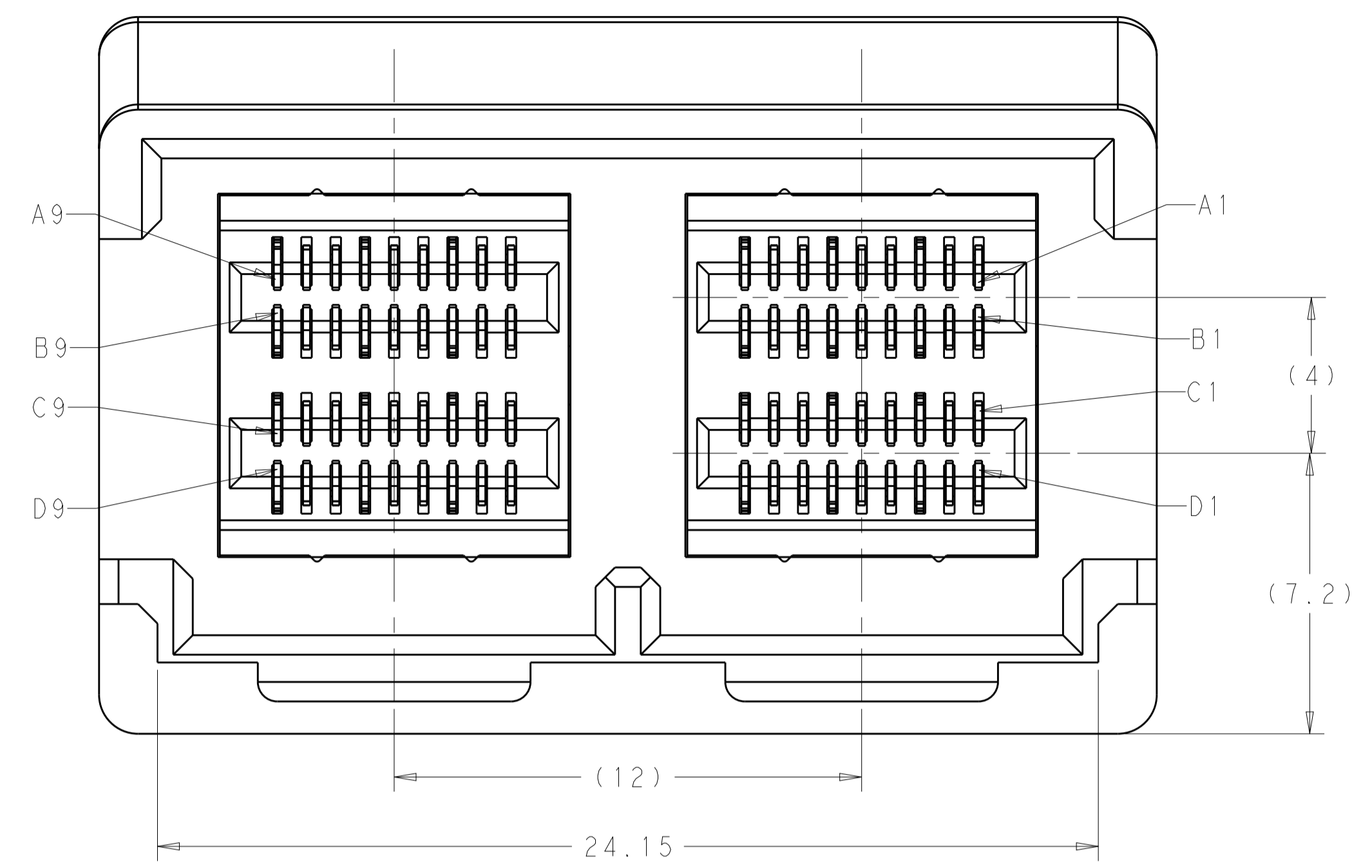
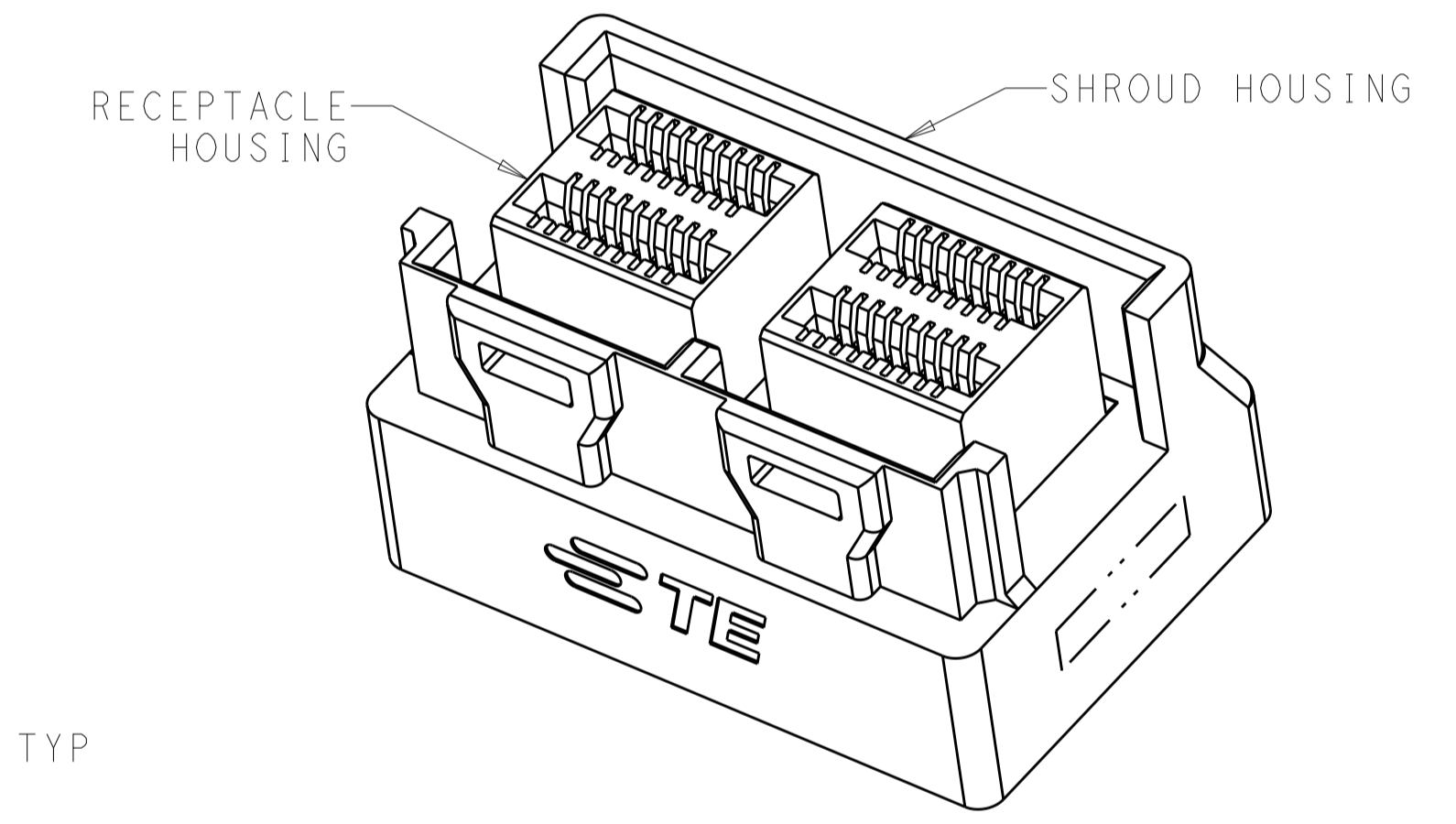


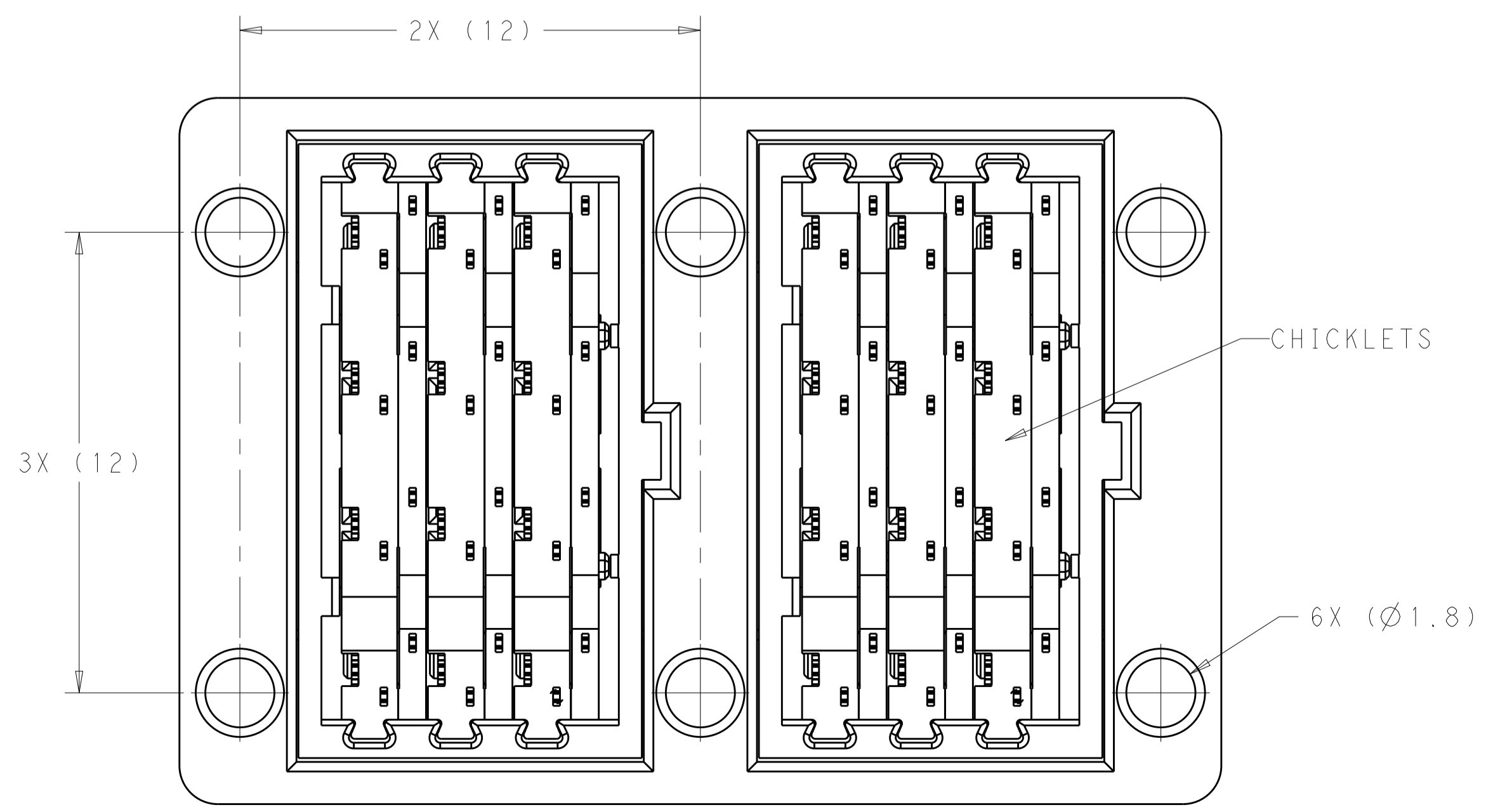
LOC	DIST	REVISIONS			
P	LTN	DESCRIPTION	DATE	DWN	APVD
GP	00	A	REVISED PER ECO-15-000199	13JAN2015	AP DG



- 1 HOUSINGS AND CHICKLETS: LCP, BLACK, UL94V-0 RATED. CONTACTS: COPPER ALLOY.
- 2 CONFORMS TO THE REQUIREMENTS OF TE PRODUCT SPECIFICATION, 108-32038 BASED ON EIA/ECA-364-1000.01A (CONTROLLED ENVIRONMENT APPLICATIONS) ON MATING END. TIN PLATED ON PCB TAIL.
- 3. MATES WITH TE PLUG 2227603-1.
- 4. MOUNTING HARDWARE M2x1.35 SELF-THREADING SCREW. SCREW LENGTH OF FASTENER = PCB THICKNESS + 3.0mm MAX (1.75mm MIN) MOUNTING HARDWARE NOT INCLUDED.
- 5 RECOMMENDED COMPONENT KEEP OUT ZONE.
- 6 PART NUMBER AND DATE CODE MARKED IN APPROXIMATE AREA SHOWN.



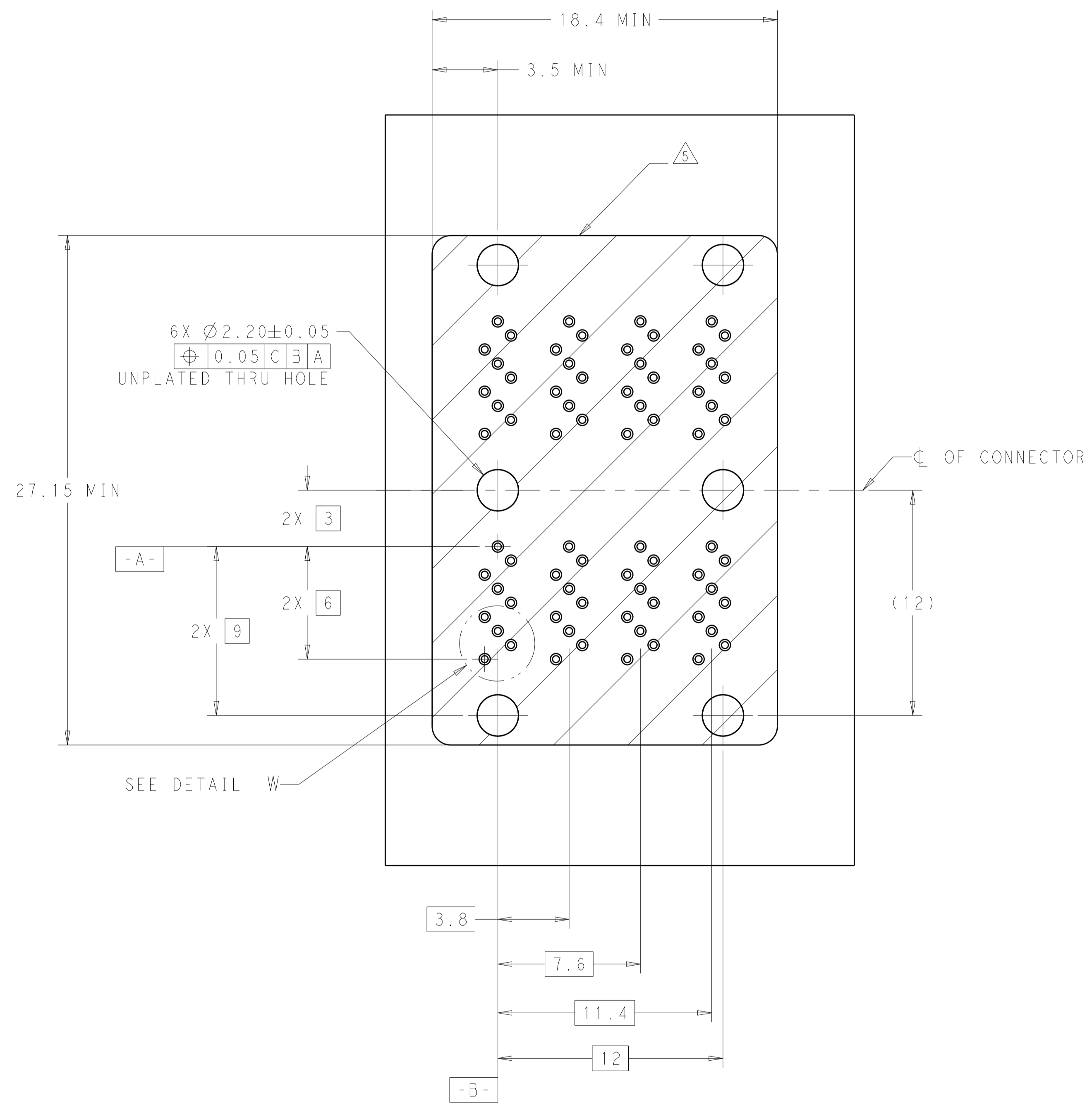
SCALE 4:1



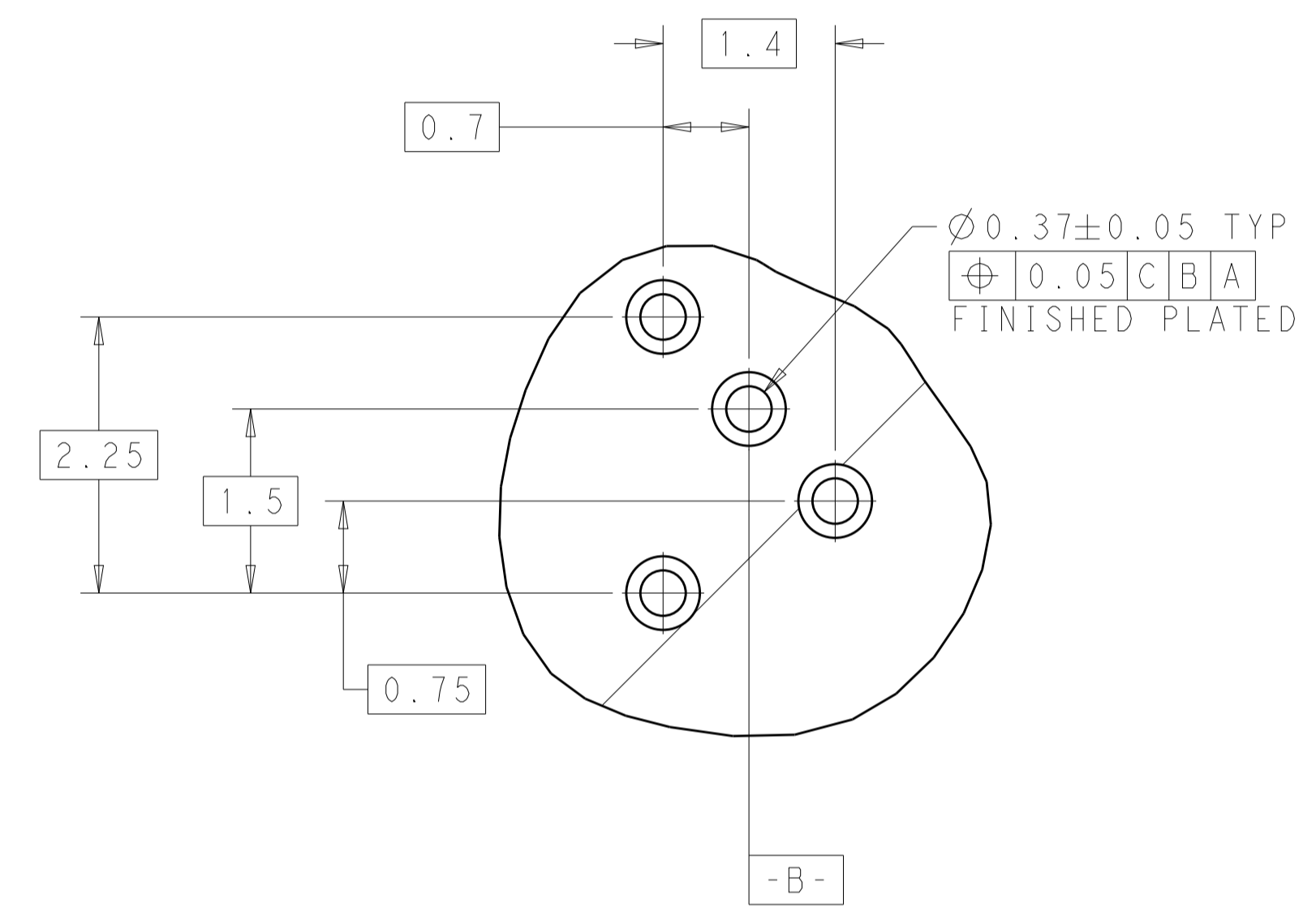
2227640-1
PART NUMBER

THIS DRAWING IS A CONTROLLED DOCUMENT.		DWN: R. TREA 26DEC2012	TE Connectivity
DIMENSIONS: mm		CHK: R. HENRY 26DEC2012	
TOLERANCES UNLESS OTHERWISE SPECIFIED:		APVD: -	NAME: RECEPTACLE ASSEMBLY, 1X2, VERTICAL, INTERNAL MINI SAS HD
0 PLC ±	1 PLC ±0.10	PRODUCT SPEC: 108-32038	SIZE: A1
2 PLC ±	3 PLC ±	APPLICATION SPEC: 114-32101	CAGE CODE: 2227640
4 PLC ±	ANGLES ±	WEIGHT: -	RESTRICTED TO: -
MATERIAL: -	FINISH: -	CUSTOMER DRAWING	SCALE: 4:1 SHEET 1 OF 2 REV A

LOC	DIST	REVISIONS			
P	LTN	DESCRIPTION	DATE	DWN	APVD
GP	00	SEE SHEET 1	-	-	-



RECOMMENDED PCB LAYOUT
 SCALE 6:1



DETAIL W
 SCALE 20:1

THIS DRAWING IS A CONTROLLED DOCUMENT.		DWN R. IREA 26DEC2012	TE Connectivity
DIMENSIONS: mm		CHK R. HENRY 26DEC2012	
TOLERANCES UNLESS OTHERWISE SPECIFIED: 0 PLC \pm 1 PLC ± 0.10 2 PLC \pm 3 PLC \pm 4 PLC \pm ANGLES \pm FINISH		APVD -	NAME RECEPTACLE ASSEMBLY, 1X2, VERTICAL, INTERNAL MINI SAS HD
MATERIAL		PRODUCT SPEC 108-32038	RESTRICTED TO
-		APPLICATION SPEC 114-32101	SIZE A100779
-		WEIGHT -	CAGE CODE C=2227640
-		CUSTOMER DRAWING	SCALE 4:1 SHEET 2 OF 2 REV A

X-ON Electronics

Largest Supplier of Electrical and Electronic Components

Click to view similar products for [I/O Connectors](#) category:

Click to view products by [TE Connectivity](#) manufacturer:

Other Similar products are found below :

[571763P](#) [58098-0628](#) [72.250.1628.2](#) [72.250.2428.2](#) [74720-0505](#) [76.350.0729.0](#) [76871-1403](#) [FCN-244F080-G/1](#) [FCN-260A9920](#) [PCR-E36PM](#) [PCS-XE26MA+](#) [G38A71314B](#) [1571250010](#) [157-22500-3](#) [MS3471L14-19P L/C](#) [172501-4002](#) [172501-6002](#) [FCN-260C008-A/L0](#) [FCN-260C024-AL0](#) [FCN-261Z008](#) [2000314-1](#) [200331-1](#) [PCR-E36FC+](#) [PCS-E28FS+](#) [PCS-XE26SLFD+](#) [PCS-XE26SLFDT+](#) [G730VID08BDC24](#) [U90B2054081210](#) [38113800006](#) [DP3AR020WQ1R200](#) [Z4.102.0680.0](#) [500-1040](#) [500-1052](#) [500-1054](#) [ZP-4008-66L](#) [0709821002](#) [DX40-20P\(55\)](#) [5554841-1](#) [MS3474W18-8P-LC*](#) [U90B3054061110](#) [U65-E04-4020](#) [ZPF000000000097891](#) [747360449](#) [10099439-003C-TRLF](#) [10137239-0021LF](#) [E9320-001-01](#) [10137239-0011LF](#) [70289-001LF](#) [70.060.1028.0](#) [109029-ZZ](#)