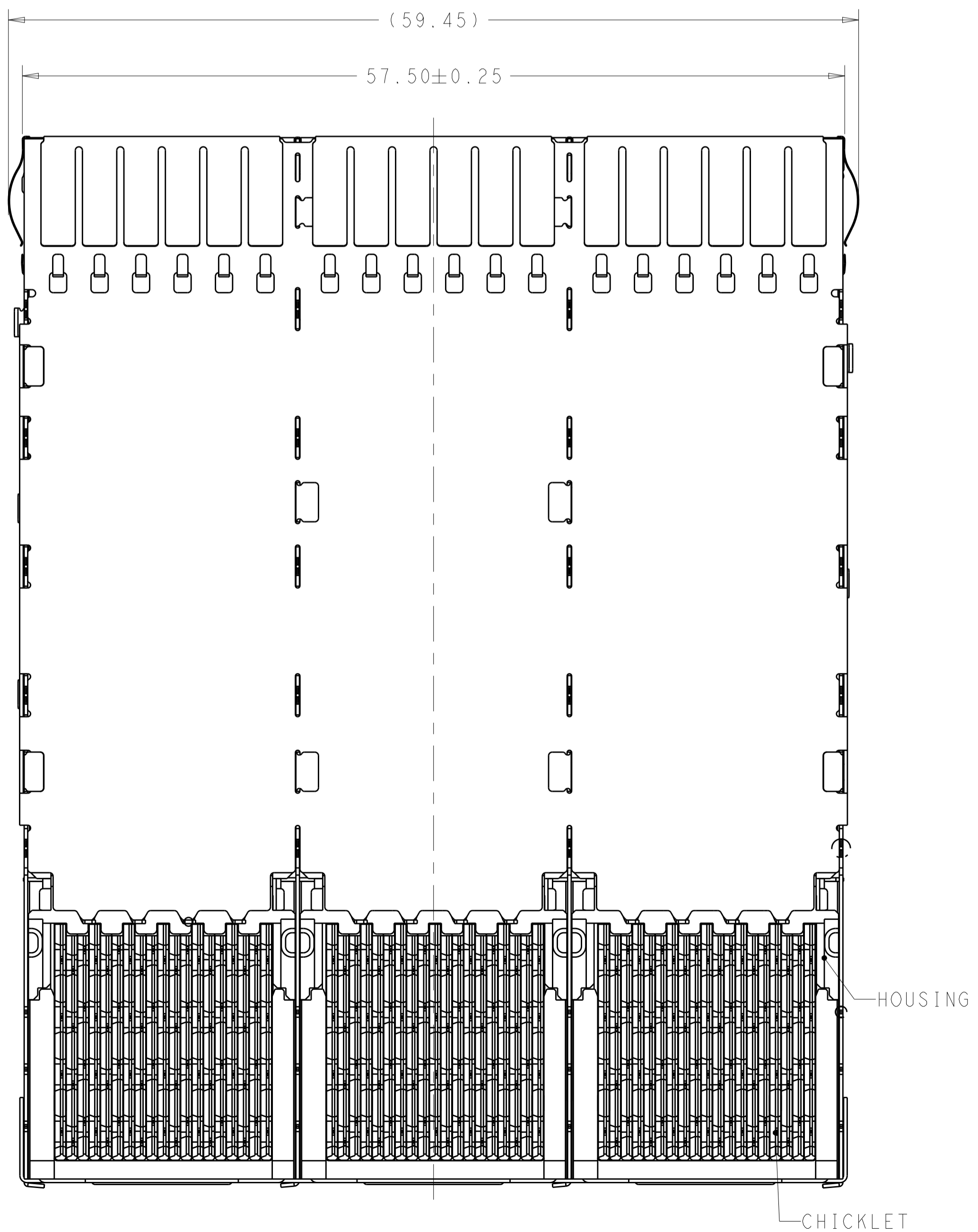
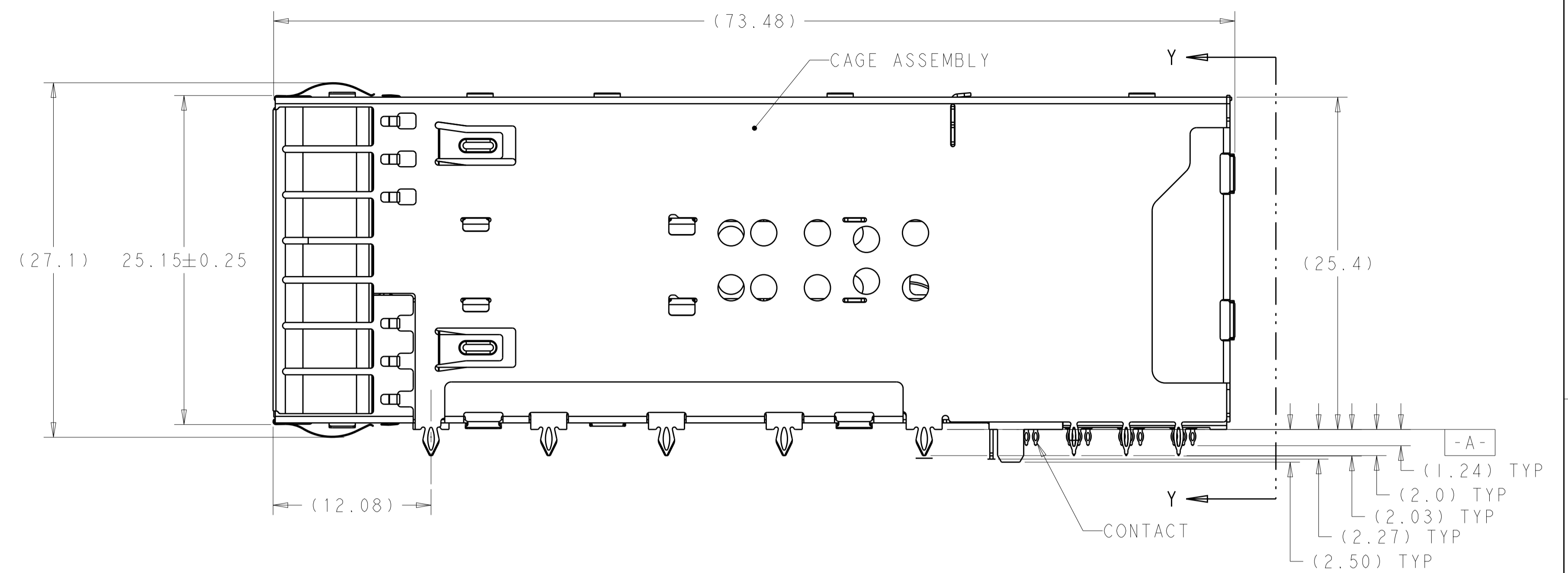
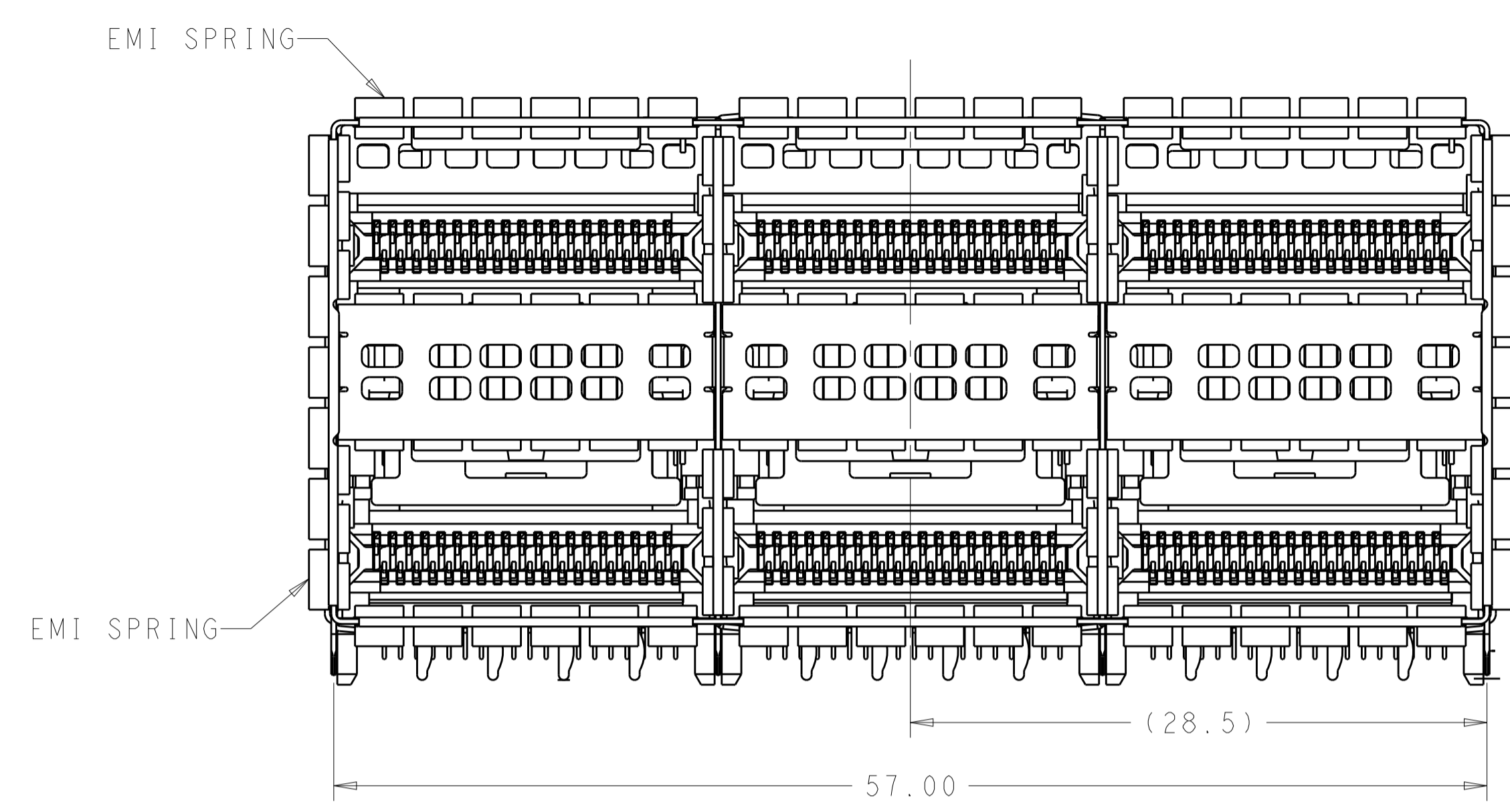


LOC		DIST		REVISIONS			
P	LTN	DESCRIPTION	DATE	DMN	APVD		
A		RELEASED FOR PRODUCTION	07MAR2016	TX	SH		



- MATERIALS:
 CAGE ASSEMBLY- NICKEL SILVER ALLOY PER ASTM B 122.
 EMI SPRING- COPPER ALLOY, NICKEL PLATED.
 HOUSING- POLYESTER LCP WITH 94 V-0.
 CHICKLET- POLYESTER LCP WITH 94 V-0.
 CONTACT- COPPER ALLOY.
 LIGHTPIPE- POLYCARBONATE WITH 94 V-0.
- CONTACT FINISH: 0.76µm GOLD ON MATING END, 1.25µm TIN ON SOLDER TAIL, ALL OVER 1.27µm NICKEL.
- DATUM AND BASIC DIMENSION ESTABLISHED BY CUSTOMER.
- MINIMUM PCB THICKNESS OF 1.57.
- THE ENTIRE AREA OF THE CONNECTOR FOOTPRINT, INDICATED BY THE DASHED LINE, TO BE CONSIDERED THE KEEPOUT AREA FOR COMPONENTS.
- CROSS-HATCHED AREAS REPRESENT ZONES ON THE PCB THAT COME IN CONTACT WITH OR BE IN CLOSE PROXIMITY TO THE PLASTIC HOUSING OR THE CONNECTOR CAGE. INDICATED AREAS TO BE CONSIDERED TRACE FREE.
- PART NUMBER AND DATE CODE MADE IN APPROXIMATE AREA SHOWN.
- THESE HOLES ARE OPTIONAL WHEN PINS ON BACK OF CAGE ARE REMOVED.
- CONTACT FINISH: 0.08µm MINIMUM GOLD OVER 0.68µm PALLADIUM-NICKEL ON MATING END, 1.25µm TIN ON SOLDER TAIL, ALL OVER 1.27µm NICKEL.

CONTACT FINISH	DESCRIPTION	PART NUMBER
9	LEFT INDICATOR DOWN	2227668-6
9	LEFT INDICATOR UP	2227668-5
9	NO LIGHTPIPE	2227668-4
2	LEFT INDICATOR DOWN	2227668-3
2	LEFT INDICATOR UP	2227668-2
2	NO LIGHTPIPE	2227668-1

THIS DRAWING IS A CONTROLLED DOCUMENT.

DMN: M. SHIRK 18JAN2013
 CHK: D. SZCZESNY 18JAN2013
 APVD: -

DIMENSIONS: mm

TOLERANCES UNLESS OTHERWISE SPECIFIED:
 0 PLC ±
 1 PLC ±0.25
 2 PLC ±0.15
 3 PLC ±
 4 PLC ±
 ANGLES ±
 FINISH ±

PRODUCT SPEC: 108-60102
 APPLICATION SPEC: 114-60015

WEIGHT: -
 CUSTOMER DRAWING

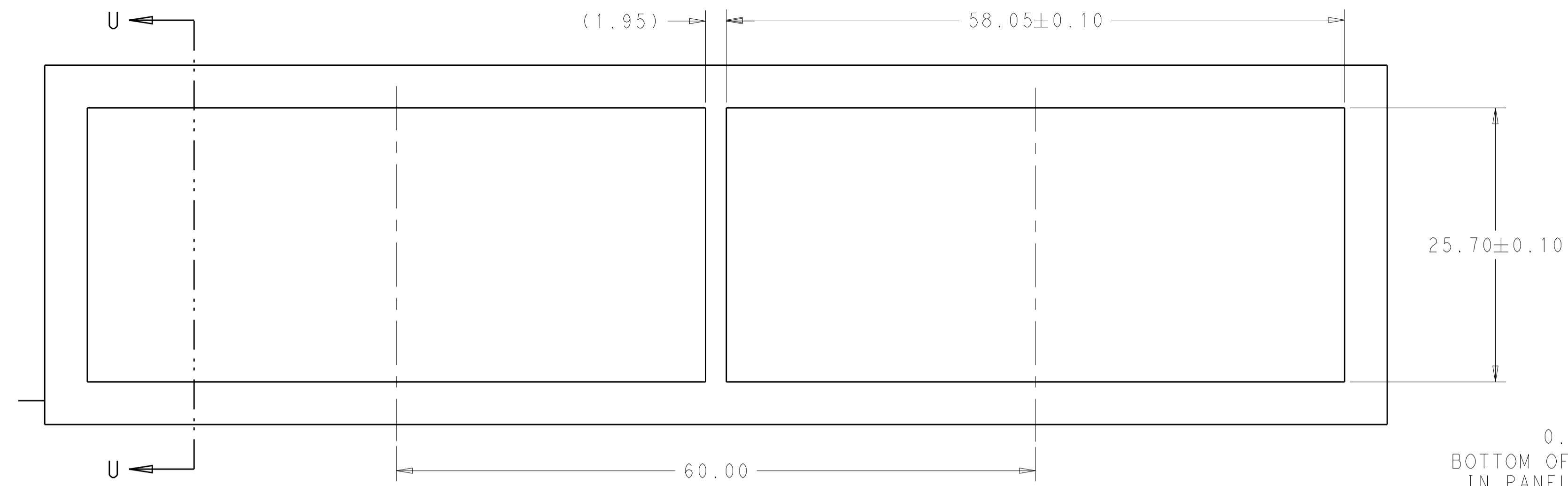
NAME: CAGE AND CONNECTOR ASSEMBLY, WITH EMI GASKET, THRU BEZEL, 2X3, ZQSFP+ STACKED

SIZE: A1
 CAGE CODE: 100779
 DRAWING NO: 2227668

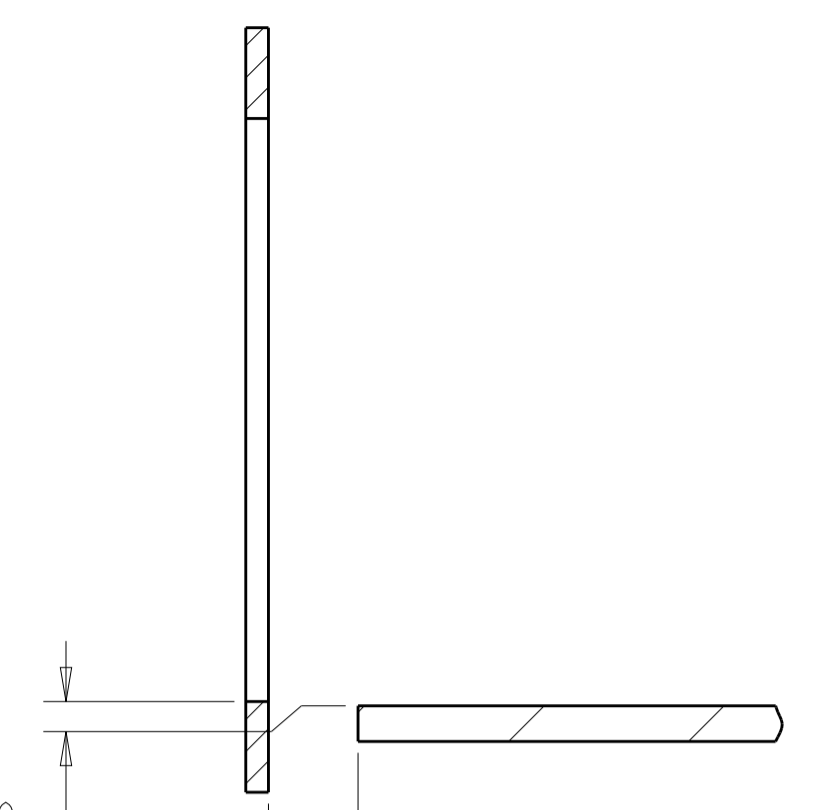
RESTRICTED TO: -

SCALE: 4:1 SHEET 1 OF 4 REV A

LOC	DIST	REV	DATE	BY	APPV
		1			



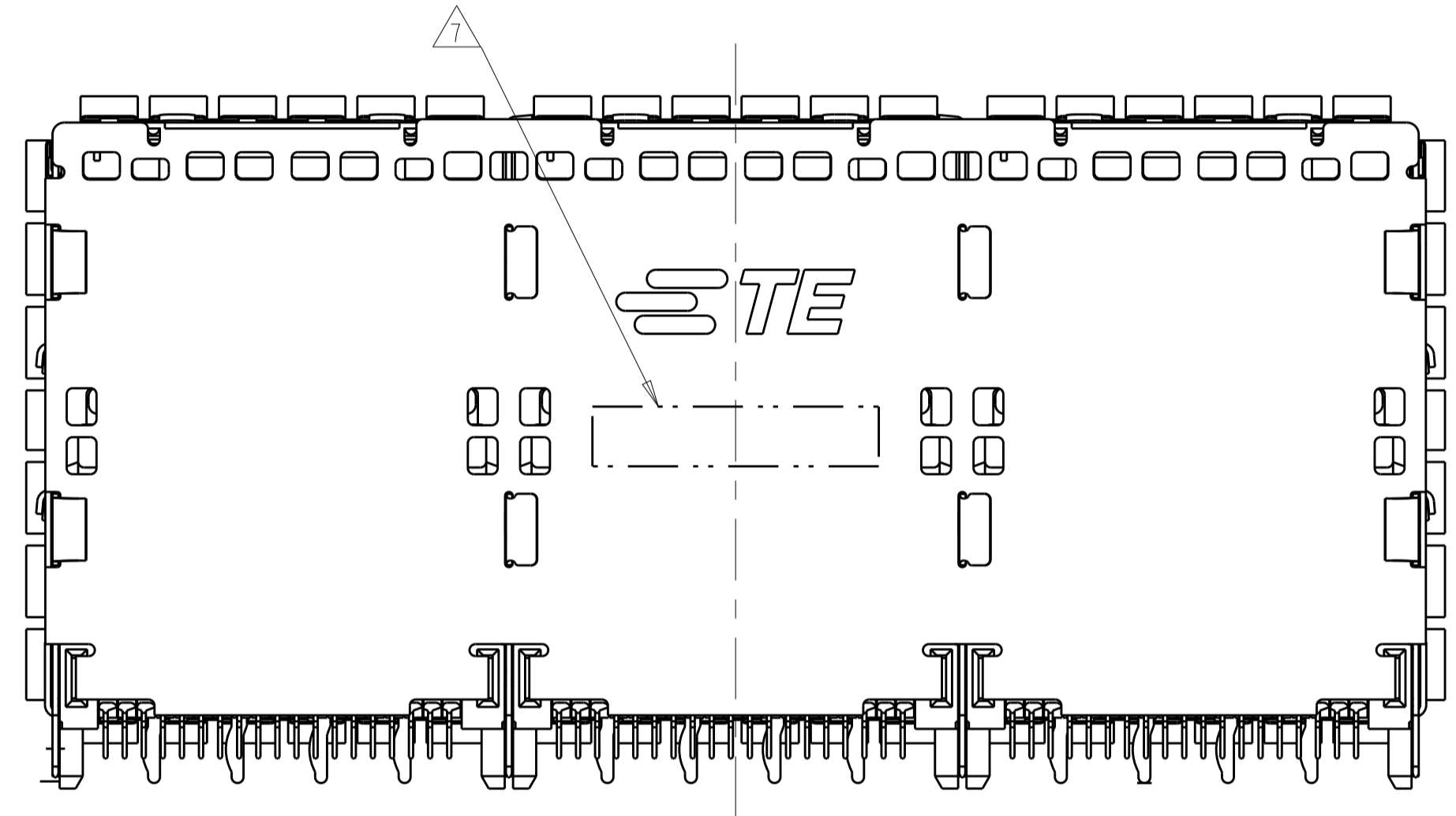
RECOMMENDED PANEL CUTOUT AND PC BOARD, PANEL POSITION
 SCALE 3:1



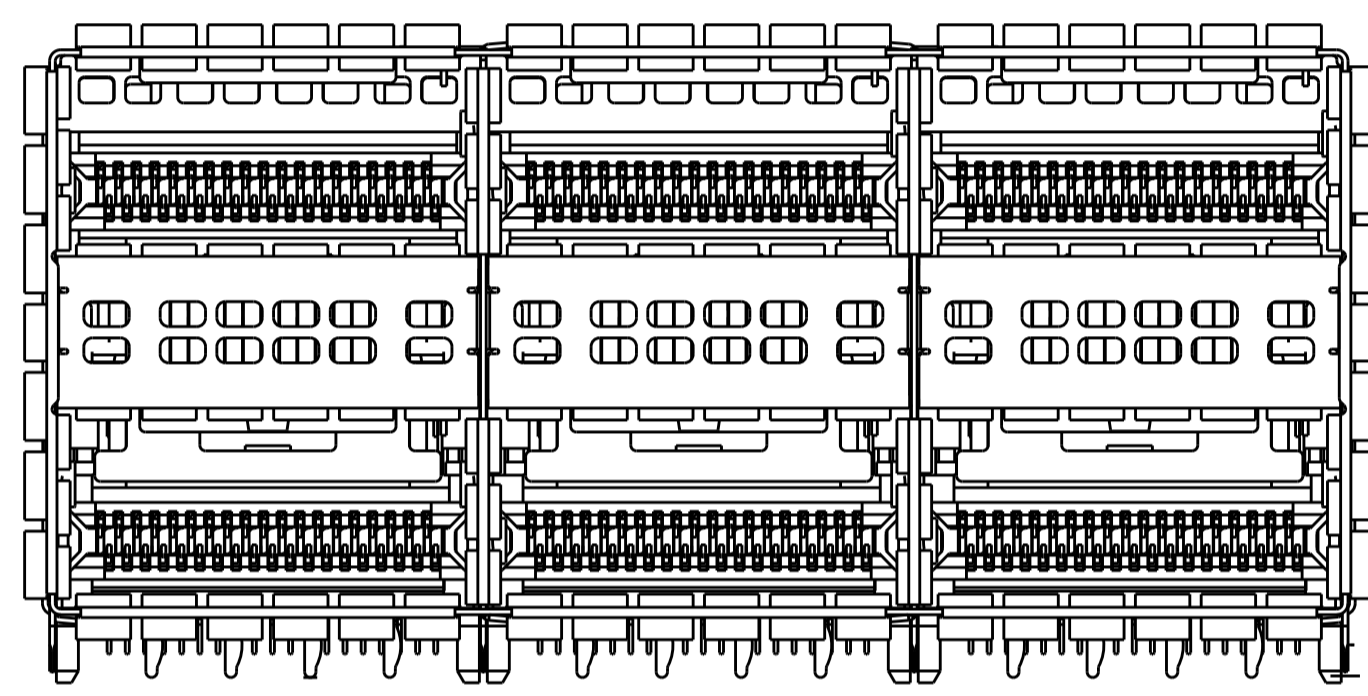
0.10 ± 0.10
 BOTTOM OF CUTOUT IN PANEL TO TOP OF PC BOARD

3.95 ± 0.13
 DISTANCE BETWEEN BACK OF PANEL AND FRONT OF PC BOARD

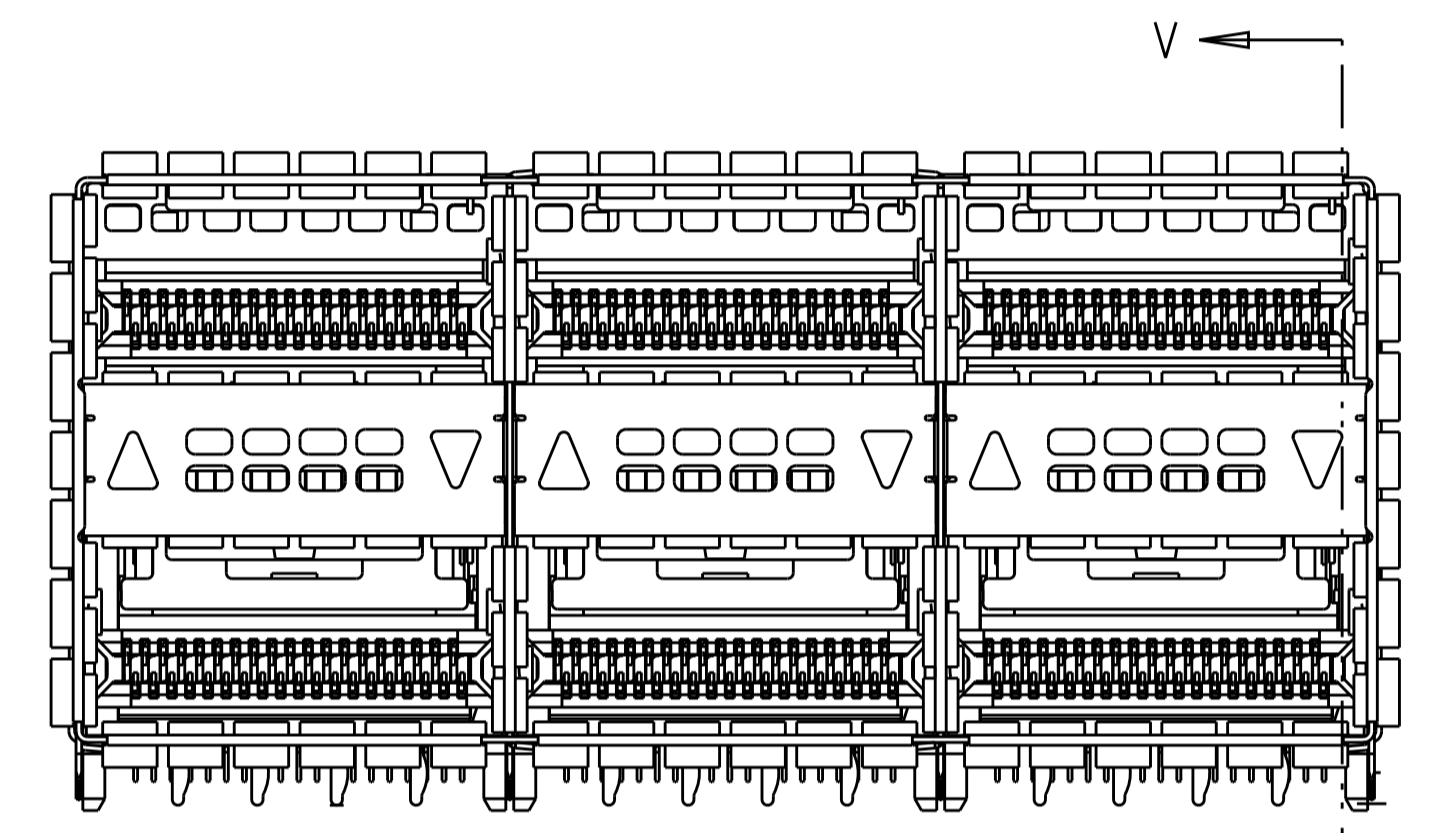
SECTION U-U



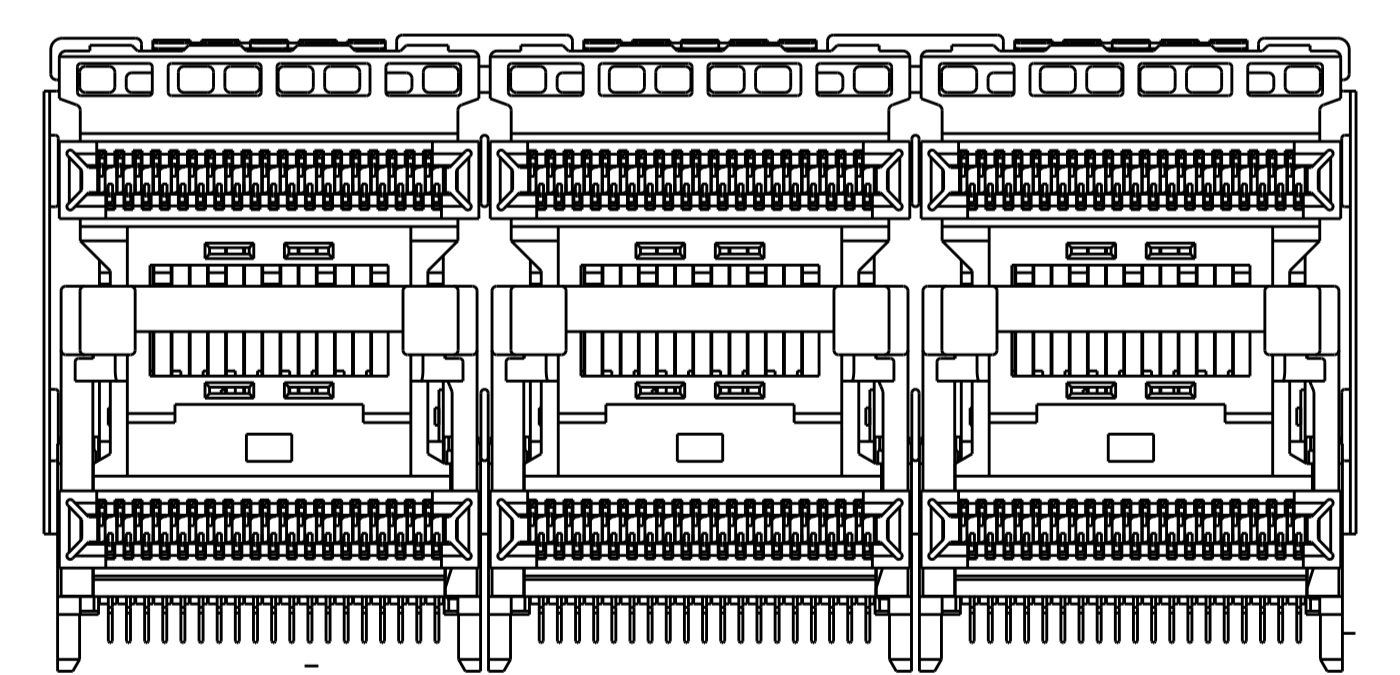
VIEW Y-Y



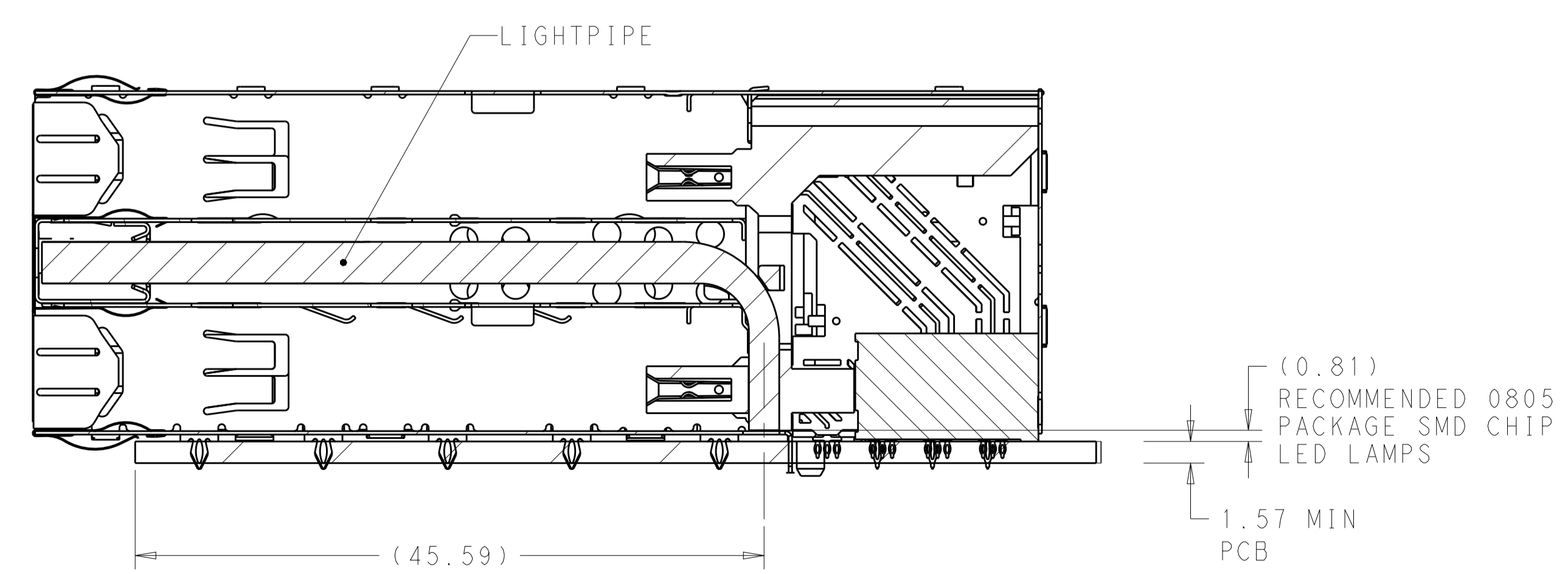
2227668-1/4
 NO LIGHTPIPE IN ASSEMBLY
 SCALE 3:1



2227668-2/5
 LEFT LIGHTPIPE INDICATOR POINTING TO UPPER PORT
 SCALE 3:1



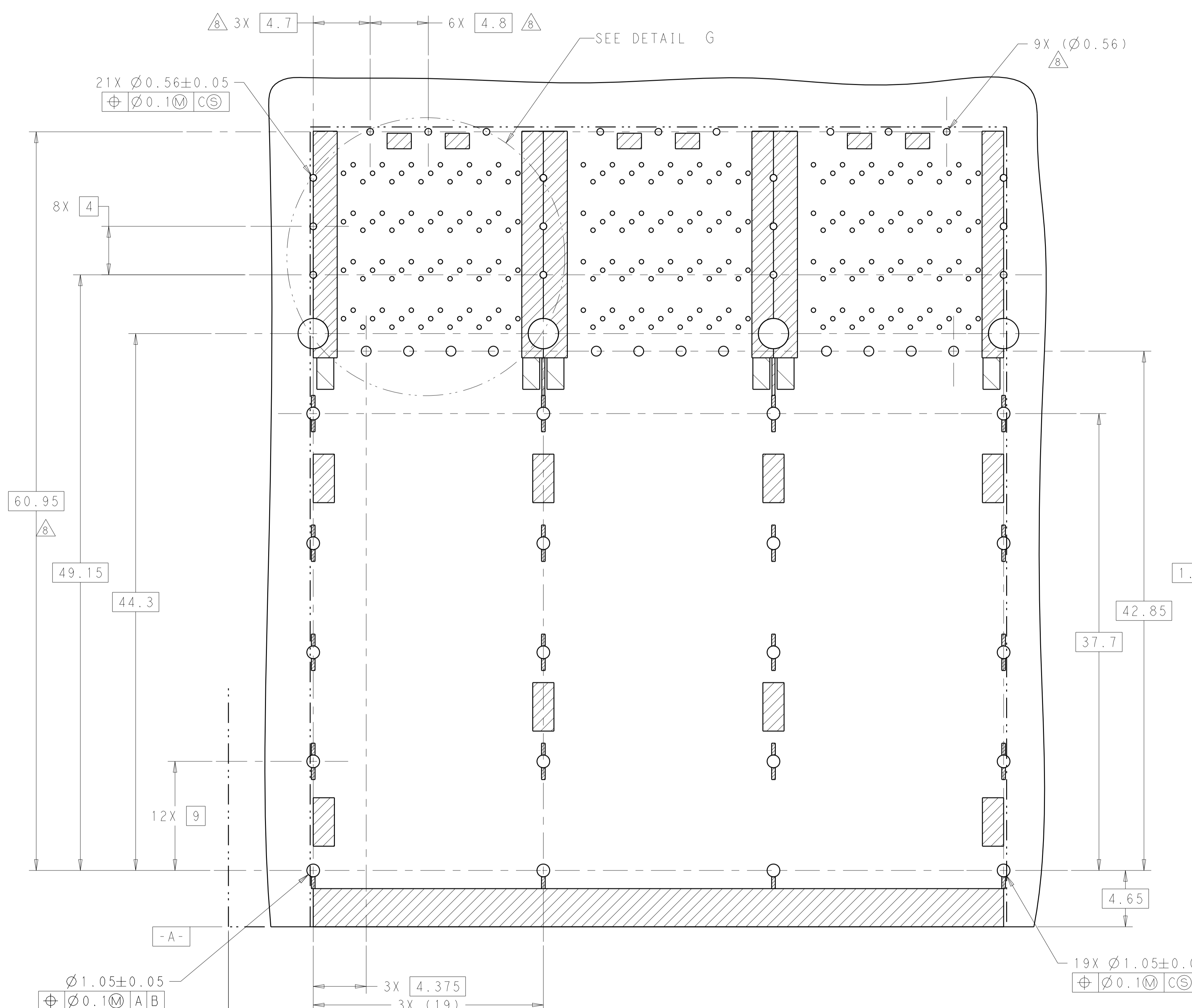
2227668-3/6
 LEFT LIGHTPIPE INDICATOR POINTING TO LOWER PORT
 SCALE 3:1



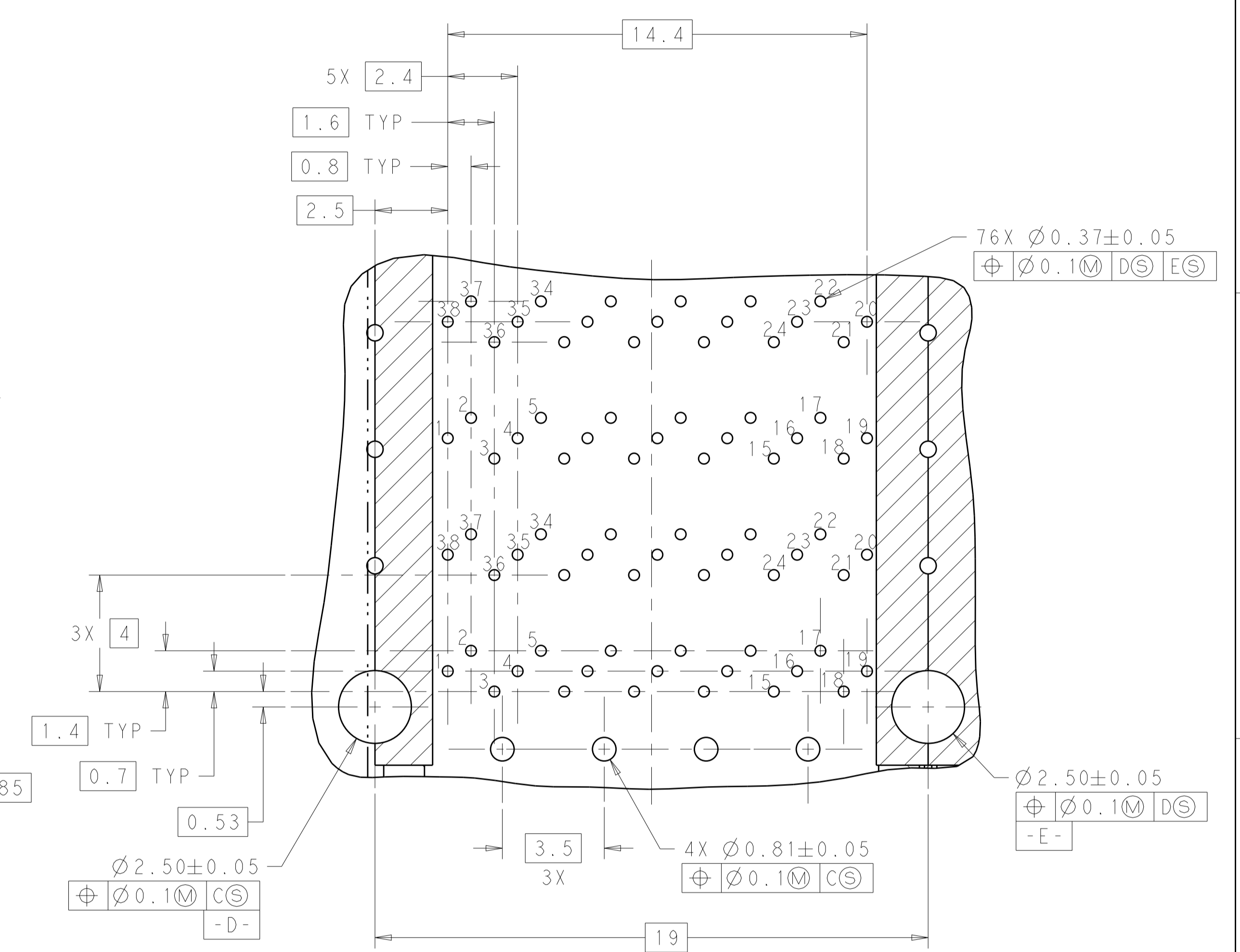
SECTION V-V
 SCALE 3:1

THIS DRAWING IS A CONTROLLED DOCUMENT.		DWN: M. SHIRK 18JAN2013 CHK: D. SZCZESNY 18JAN2013 APVD: -	STE TE Connectivity NAME: CAGE AND CONNECTOR ASSEMBLY, WITH EMI GASKET, THRU BEZEL, 2X3, ZQSFP+ STACKED
DIMENSIONS: mm 	TOLERANCES UNLESS OTHERWISE SPECIFIED: 0 PLC ± 1 PLC ±0.25 2 PLC ±0.15 3 PLC ± 4 PLC ± ANGLES ± FINISH ±	PRODUCT SPEC: 108-60102 APPLICATION SPEC: 114-60015 WEIGHT: - CUSTOMER DRAWING	
MATERIAL: SEE NOTE 1	FINISH: SEE NOTE 2	SIZE: A1 CAGE CODE: 00779 DRAWING NO: C=2227668	RESTRICTED TO: - SCALE: 4:1 SHEET 2 OF 4 REV A

LOC		DIST		REVISIONS			
P	LTN	DESCRIPTION	DATE	DMN	APVD		
-	-	SEE SHEET 1	-	-	-		



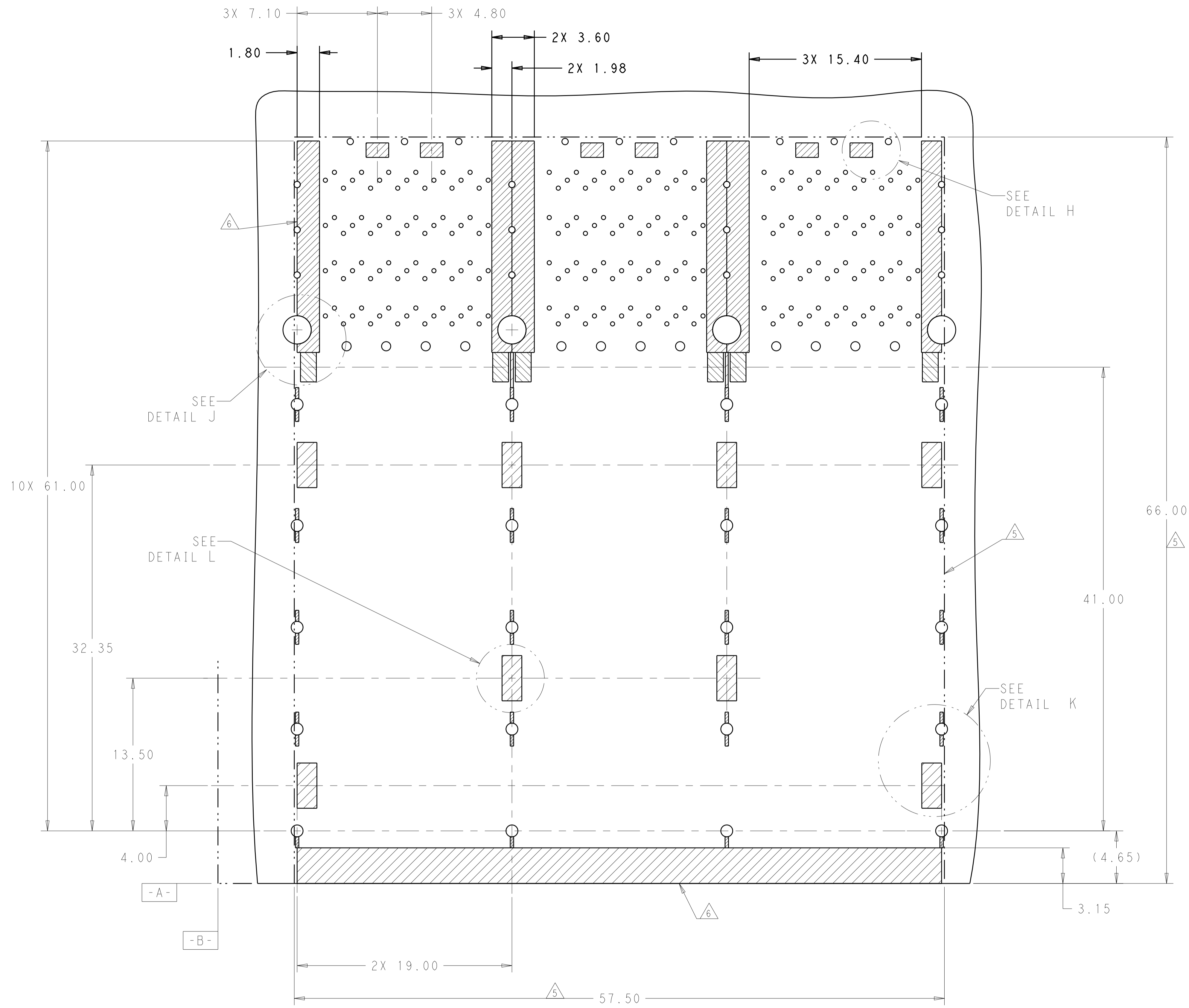
RECOMMENDED PC BOARD LAYOUT
 COMPONENT SIDE OF BOARD
 PCB TOLERANCE: ± 0.05
 SCALE 5:1



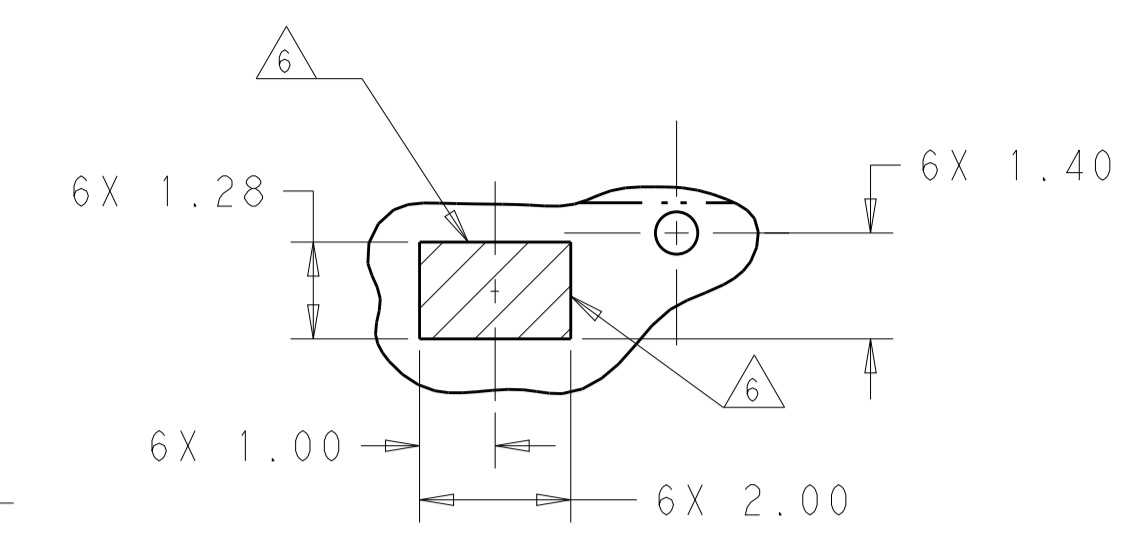
DETAIL G
 TYPICAL 3 PLACES
 SCALE 8:1

THIS DRAWING IS A CONTROLLED DOCUMENT.		DMN M. SHIRK 18JAN2013	NAME CAGE AND CONNECTOR ASSEMBLY, WITH EMI GASKET, THRU BEZEL, 2X3, ZQSFP+ STACKED
DIMENSIONS: mm		CHK D. SZCZESNY 18JAN2013	PRODUCT SPEC 108-60102
TOLERANCES UNLESS OTHERWISE SPECIFIED: 0 PLC \pm 1 PLC ± 0.25 2 PLC ± 0.15 3 PLC \pm 4 PLC \pm ANGLES \pm		APVD	APPLICATION SPEC 114-60015
MATERIAL SEE NOTE 1		FINISH SEE NOTE 2	WEIGHT CUSTOMER DRAWING
SCALE 4:1		SHEET 3 OF 4	REV A

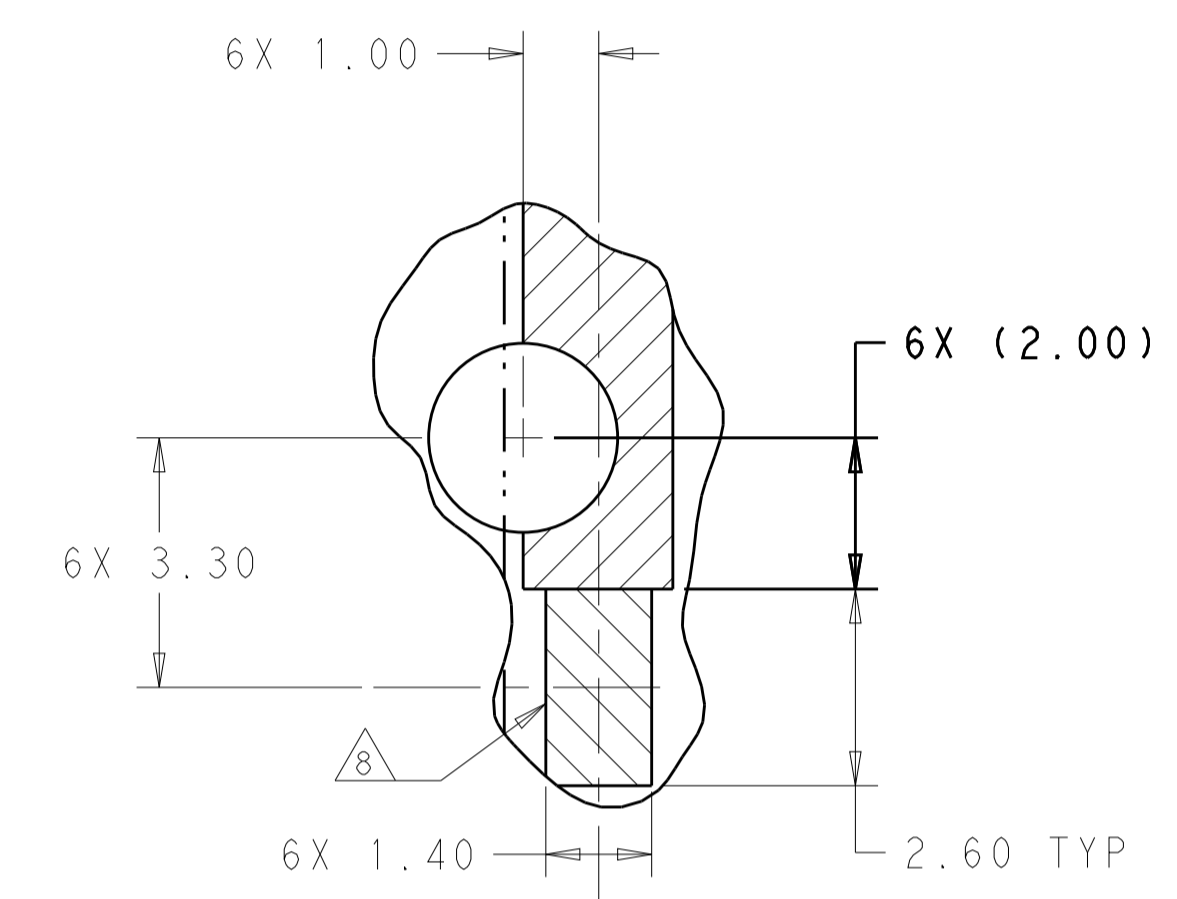
LOC		DIST		REVISIONS			
P	LTN	DESCRIPTION	DATE	DMN	APVD		
-	-	SEE SHEET 1	-	-	-		



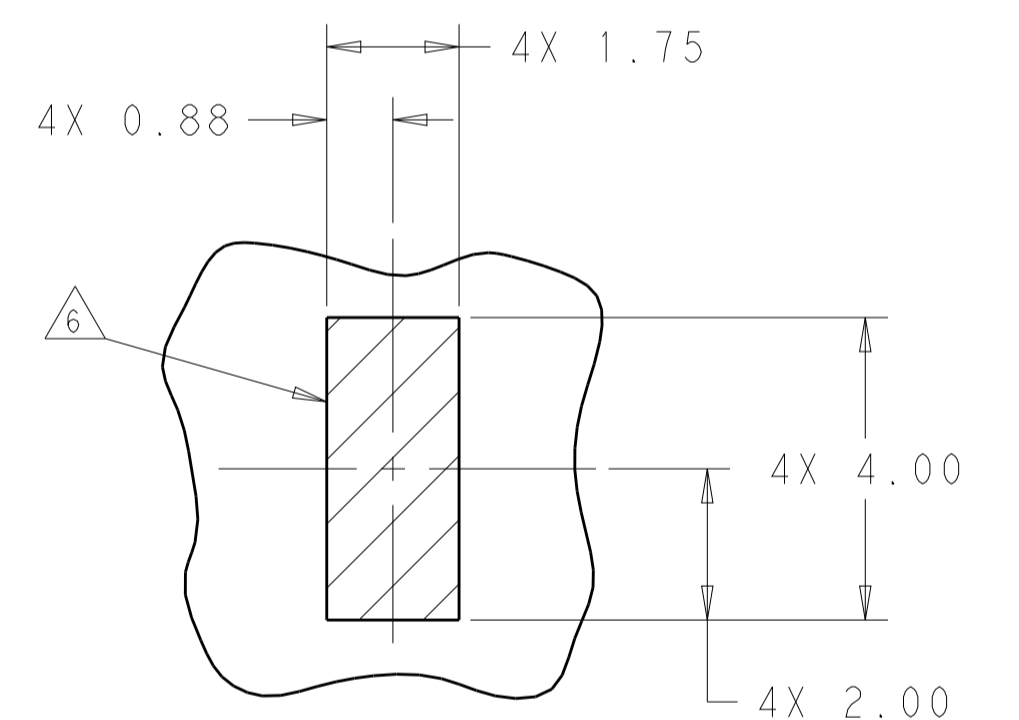
KEEPOUT AREAS
 COMPONENT SIDE OF BOARD
 SCALE 5:1



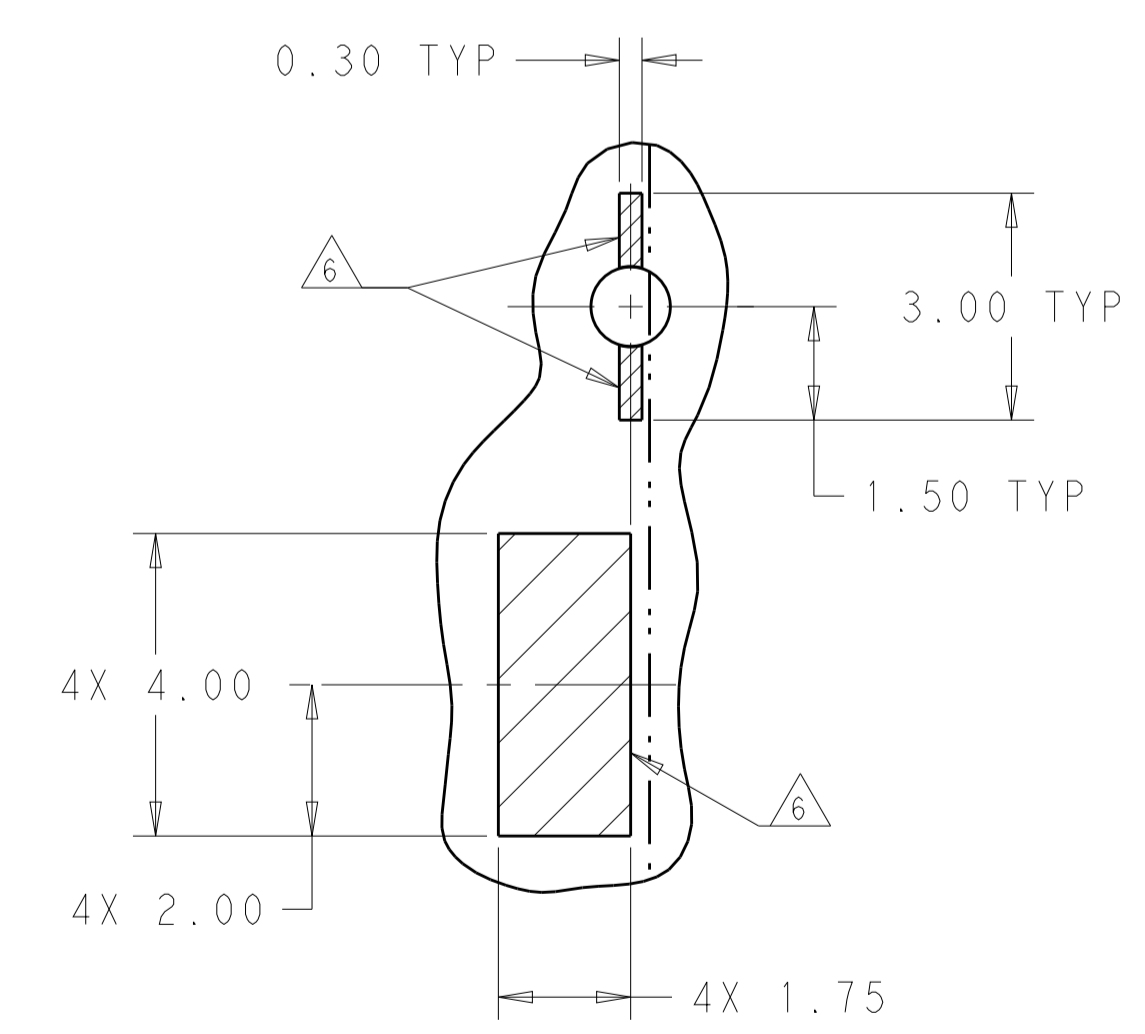
DETAIL H
 SCALE 10:1



DETAIL J
 LED PADS
 SCALE 10:1



DETAIL L
 SCALE 10:1



DETAIL K
 SCALE 10:1

THIS DRAWING IS A CONTROLLED DOCUMENT.		DMN M. SHIRK 18JAN2013	TE Connectivity NAME CAGE AND CONNECTOR ASSEMBLY, WITH EMI GASKET, THRU BEZEL, 2X3, ZQSPF+ STACKED
DIMENSIONS:		CHK D. SZCZESNY 18JAN2013	
mm	TOLERANCES UNLESS OTHERWISE SPECIFIED:	APVD	PRODUCT SPEC
0 PLC	±		108-60102
1 PLC	±0.25		APPLICATION SPEC
2 PLC	±0.15		114-60015
3 PLC	±		WEIGHT
4 PLC	±		114-60015
ANGLES	±		CUSTOMER DRAWING
MATERIAL	FINISH		SCALE 4:1 SHEET 4 OF 4 REV A
SEE NOTE 1	SEE NOTE 2		

X-ON Electronics

Largest Supplier of Electrical and Electronic Components

Click to view similar products for [I/O Connectors](#) category:

Click to view products by [TE Connectivity](#) manufacturer:

Other Similar products are found below :

[571763P](#) [72.250.1628.2](#) [72.250.2428.2](#) [74720-0505](#) [76.350.0729.0](#) [76871-1403](#) [FCN-244F080-G/1](#) [FCN-260A9920](#) [MP-5T180MUNNA-005](#)
[PCR-E36PM](#) [PCS-XE26MA+](#) [G38A71314B](#) [1571250010](#) [157-22500-3](#) [MS3471L14-19P L/C](#) [91-569786-35H](#) [172501-4002](#) [172501-6002](#)
[FCN-260C008-A/L0](#) [FCN-260C024-AL0](#) [FCN-261Z008](#) [2000314-1](#) [200331-1](#) [PCR-E36FC+](#) [PCS-E28FS+](#) [PCS-XE26SLFD+](#) [PCS-](#)
[XE26SLFDT+](#) [G730VID08BDC24](#) [HDMR-29-01-S-SM-TR](#) [U90B2054081210](#) [UE86K842720321](#) [38113800006](#) [DP3AR020WQ1R200](#)
[Z4.102.0680.0](#) [500-1040](#) [500-1052](#) [500-1054](#) [ZP-4008-66L](#) [0709821002](#) [10-565995-597N](#) [DX40-20P\(55\)](#) [5554841-1](#) [U90B3054061110](#)
[U65-E04-4020](#) [ZPF00000000097891](#) [557-262M2-06C](#) [747360449](#) [10099439-003C-TRLF](#) [10137239-0021LF](#) [E9320-001-01](#)