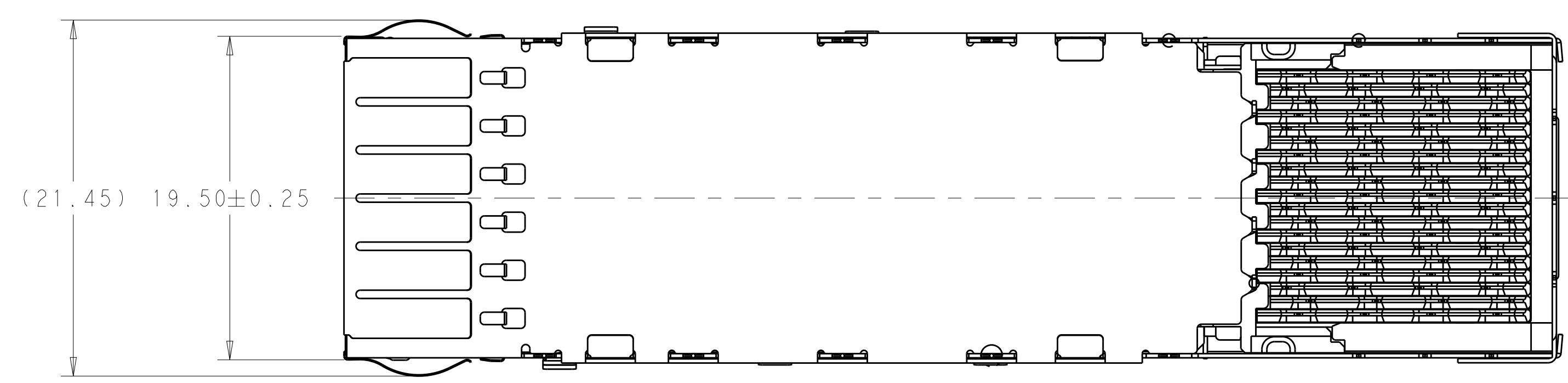
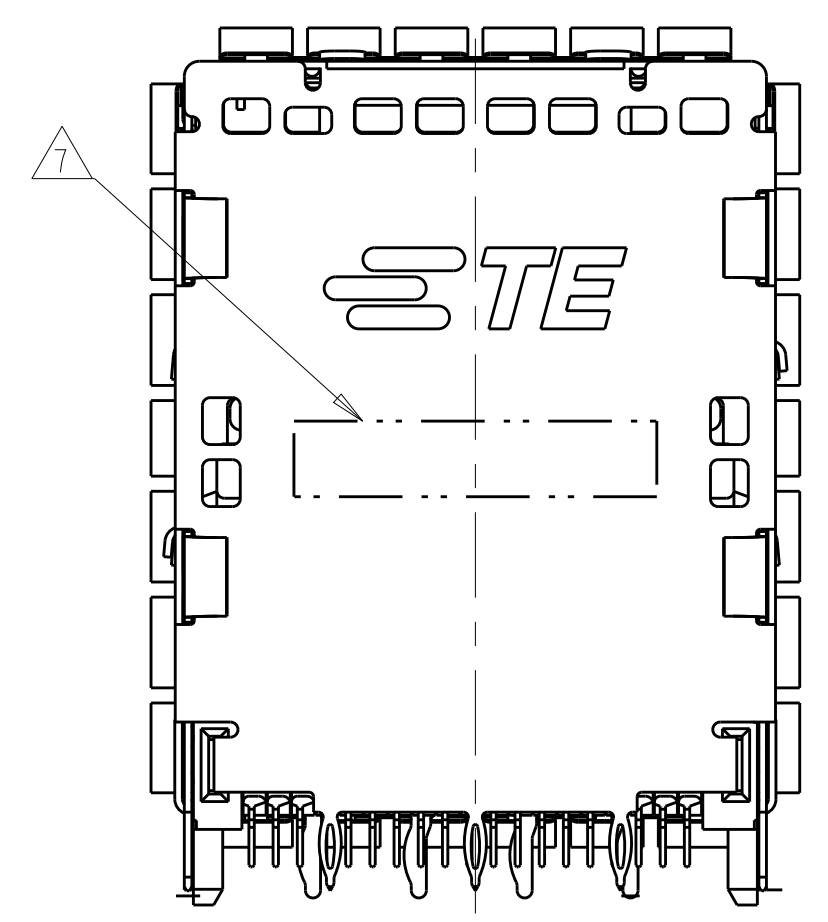
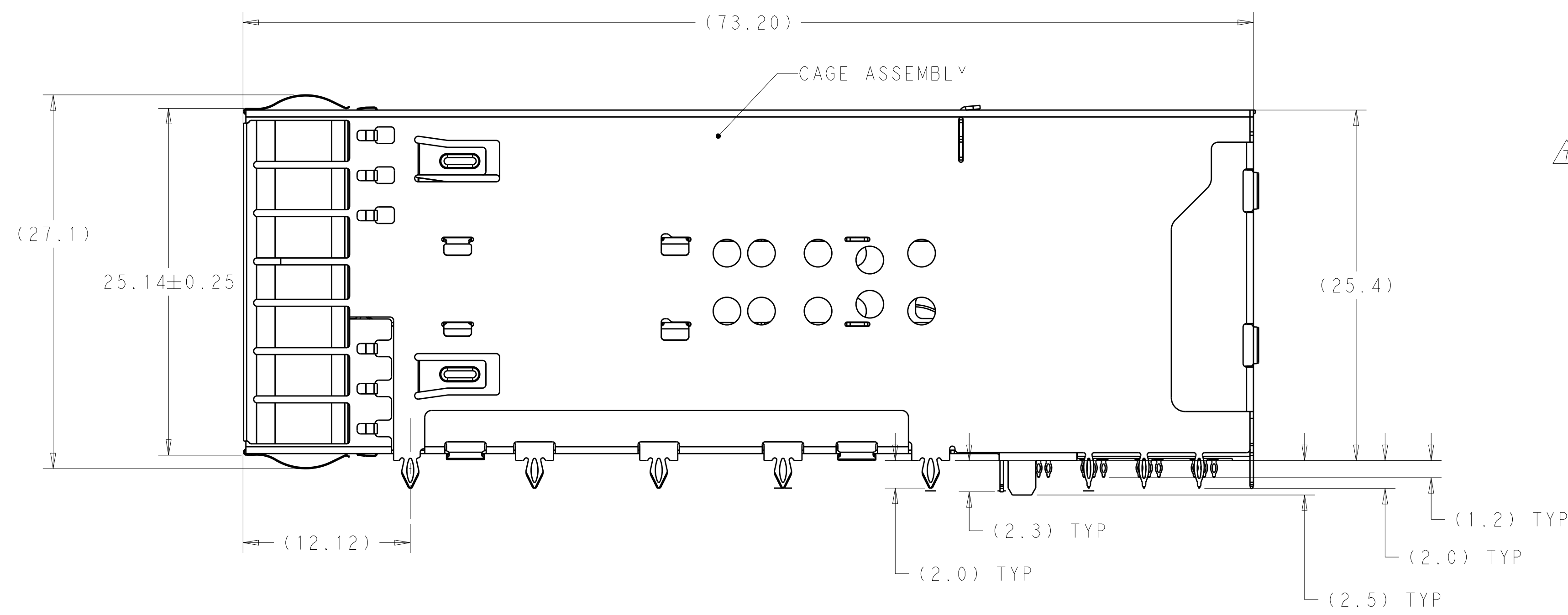
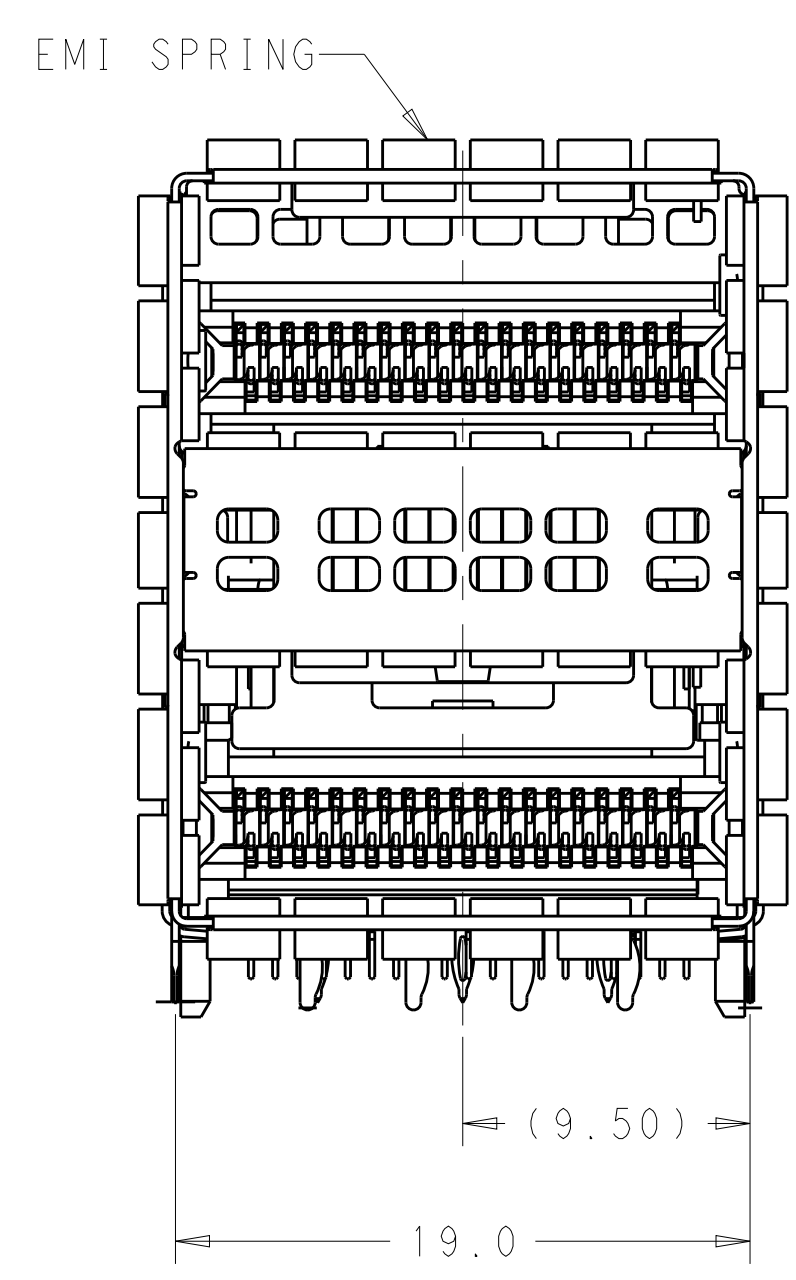


LOC	DIST	REVISIONS					
GP	00	P	LTN	DESCRIPTION	DATE	DWN	APVD
		E		REVISED PER ECR-19-013341	28AUG2019	RM	SH
		F		REVISED PER ECR-20-004478	31MAR2020	RM	SH



- MATERIALS:
 CAGE ASSEMBLY- NICKEL SILVER ALLOY PER ASTM B 122.
 EMI SPRING- COPPER ALLOY, NICKEL PLATED.
 HOUSING- POLYESTER LCP WITH 94V-0.
 CHICKLET- POLYESTER LCP WITH 94V-0.
 CONTACT- COPPER ALLOY.
 LIGHTPIPE- POLYCARBONATE WITH 94V-0.
- ② CONTACT FINISH: 0.76µm GOLD ON MATING END, 0.7-1.5µm MATT TIN ON COMPLIANT AREA, ALL OVER 1.27µm NICKEL.
 - ③ DATUM AND BASIC DIMENSION ESTABLISHED BY CUSTOMER.
 - 4. MINIMUM PCB THICKNESS OF 1.57.
 - ⑤ THE ENTIRE AREA OF THE CONNECTOR FOOTPRINT, INDICATED BY THE DASHED LINE, TO BE CONSIDERED THE KEEPOUT AREA FOR COMPONENTS.
 - ⑥ CROSS-HATCHED AREAS REPRESENT ZONES ON THE PCB THAT COME IN CONTACT WITH OR BE IN CLOSE PROXIMITY TO THE PLASTIC HOUSING OR THE CONNECTOR CAGE. INDICATED AREAS TO BE CONSIDERED TRACE FREE.
 - ⑦ PART NUMBER AND DATE CODE MADE IN APPROXIMATE AREA SHOWN.
 - ⑧ CONTACT FINISH: 0.08µm MINIMUM GOLD OVER 0.68µm PALLADIUM-NICKEL ON MATING AREA, 0.7-1.5µm MATT TIN ON COMPLIANT AREA, ALL OVER 1.27µm NICKEL.
 - ⑨ HATCHED AREA IS PLACEMENT ZONE FOR LED. LED SHOULD BE CENTERED WITHIN ZONE. RECOMMEND 0805 PACKAGE.
 - ⑩ THE ORDER FOR LED LOACTION, CORRESPONDING TO THE LIGHT PIPES
 - ⑪ LOW Br/Cl AS DEFINED IN TEC-138-702.
 - ⑫ CAGE ASSEMBLY WITH 1.27µm NICKEL PLATED.

②	②	ROUND INDICATOR, 4LP	4-2227669-1	
②	②	LEFT INDICATOR UP	3-2227669-0	
②	②	ROUND INDICATOR, 8LP	2-2227669-5	
②	②	4 UPPER LP	2-2227669-4	
①	②	②	ROUND INDICATOR, 8LP	2-2227669-3
②	②	ALL INDICATOR DOWN, 8LP	2-2227669-2	
②	②	ROUND INDICATOR, 8LP	2-2227669-1	
②	②	LEFT INDICATOR UP	2-2227669-0	
①	②	②	LEFT INDICATOR DOWN, 4LP	1-2227669-9
①	②	②	ALL INDICATOR UP, 4LP	1-2227669-7
②	②	ROUND INDICATOR, 4LP	1-2227669-1	
②	②	ALL INDICATOR DOWN, 4LP	1-2227669-0	
②	②	LEFT INDICATOR DOWN, 4LP	2227669-9	
②	②	LEFT INDICATOR UP, 4LP	2227669-8	
②	②	ALL INDICATOR UP, 4LP	2227669-7	
⑧	⑧	LEFT INDICATOR DOWN	2227669-6	
⑧	⑧	LEFT INDICATOR UP	2227669-5	
⑧	⑧	NO LIGHT PIPE	2227669-4	
②	②	LEFT INDICATOR DOWN	2227669-3	
②	②	LEFT INDICATOR UP	2227669-2	
②	②	NO LIGHTPIPE	2227669-1	
CONTACT FINISH	DESCRIPTION		PART NUMBER	

THIS DRAWING IS A CONTROLLED DOCUMENT. DWN: M. SHIRK 16JAN2013, CHK: D. SZCZESNY 16JAN2013, APVD: -

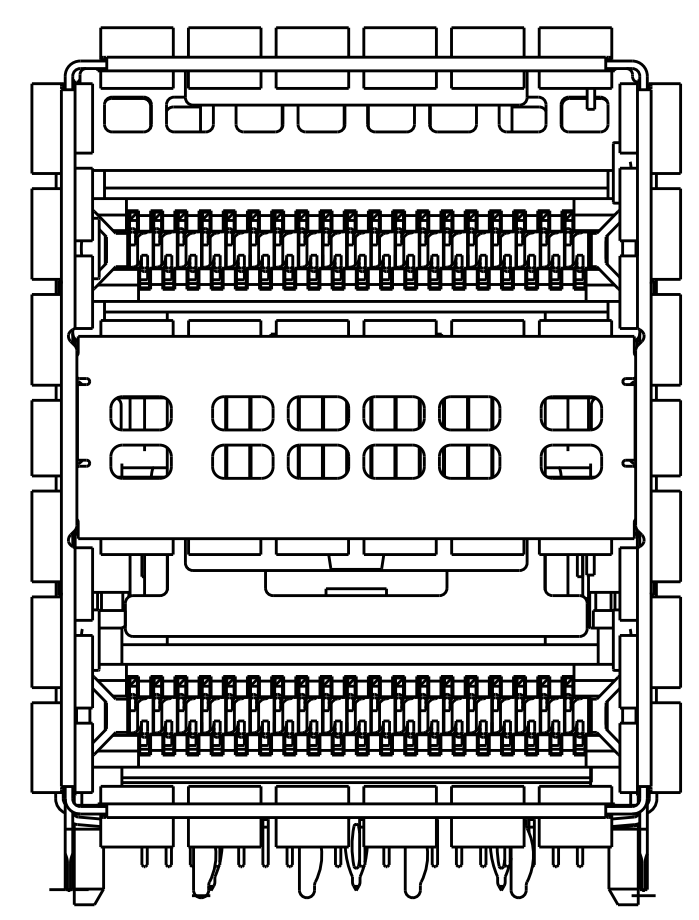
TE Connectivity

CAGE AND CONNECTOR ASSEMBLY, WITH EMI SPRING FINGERS, THRU BEZEL, 2X1, ZQSFP+ STACKED

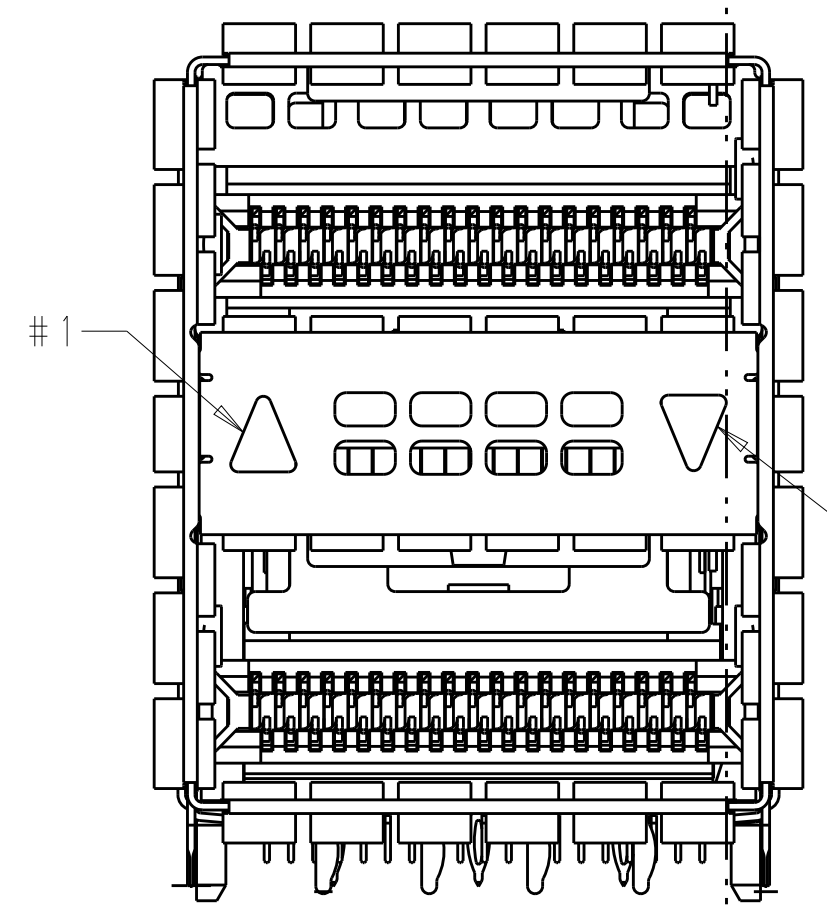
108-60102 APPLICATION SPEC, 114-60015 CAGE CODE, DRAWING NO: A100779, C=2227669

SCALE: 4:1, SHEET 1 OF 8, REV F

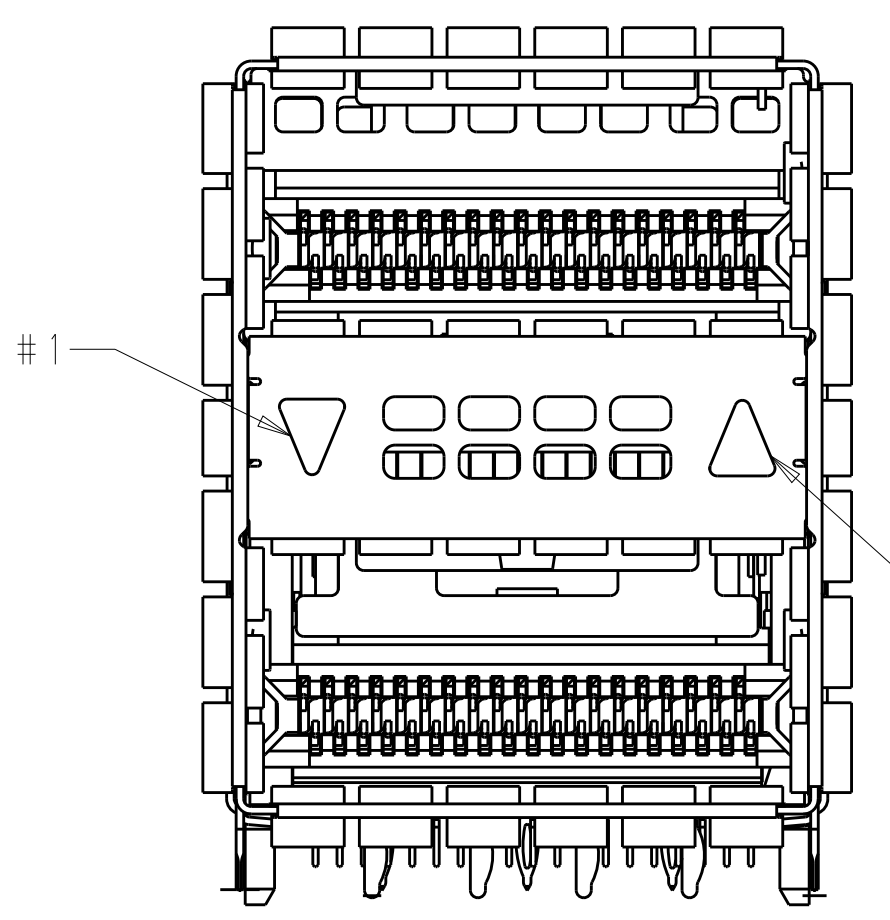
LOC		DIST		REVISIONS			
GP	00	P	LTN	DESCRIPTION	DATE	OWN	APVD
		-		SEE SHEET 1			



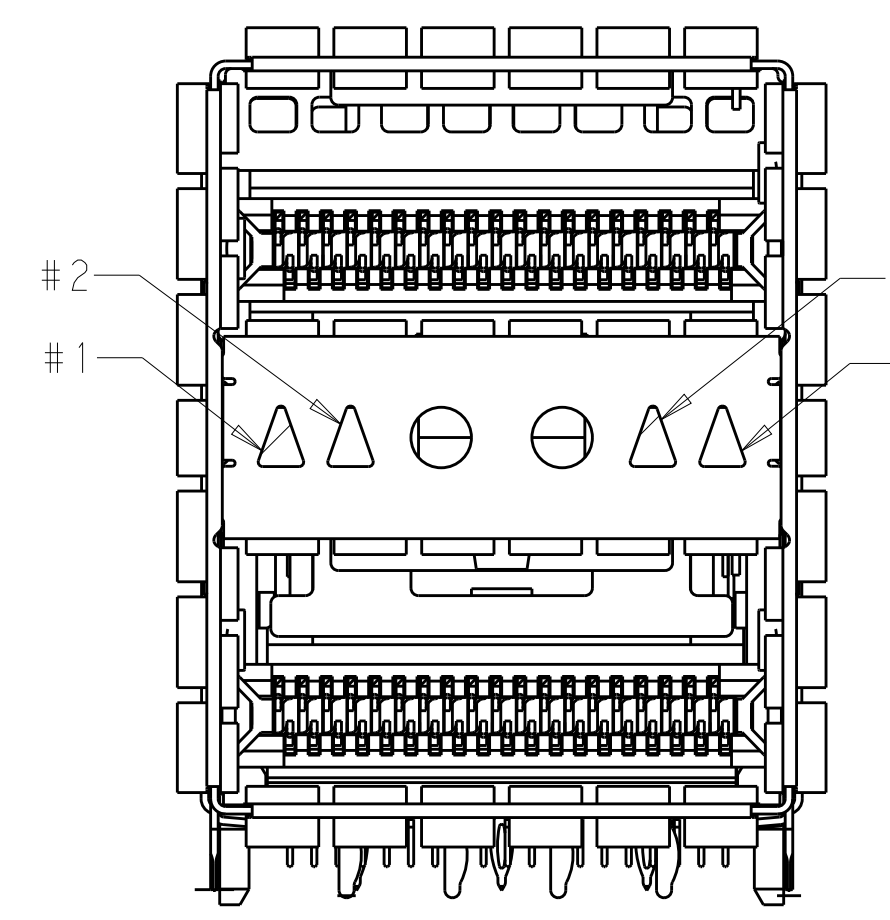
2227669-1
2227669-4
NO LIGHTPIPE IN ASSEMBLY



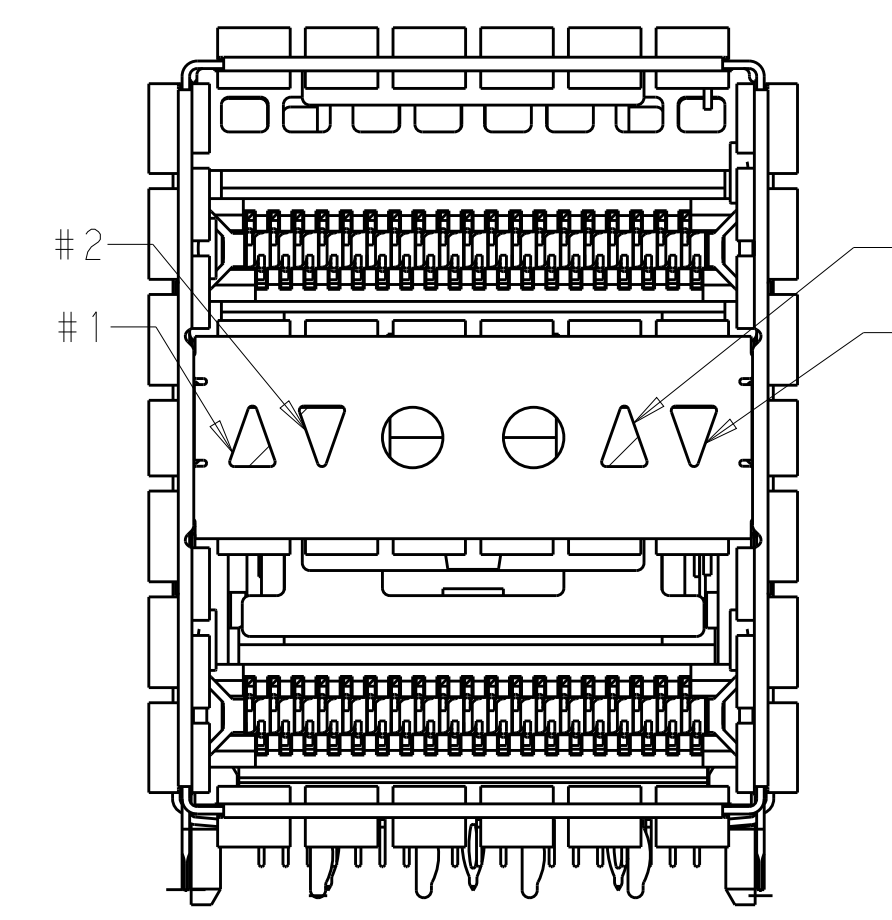
2227669-2
2227669-5
LEFT INDICATOR UP



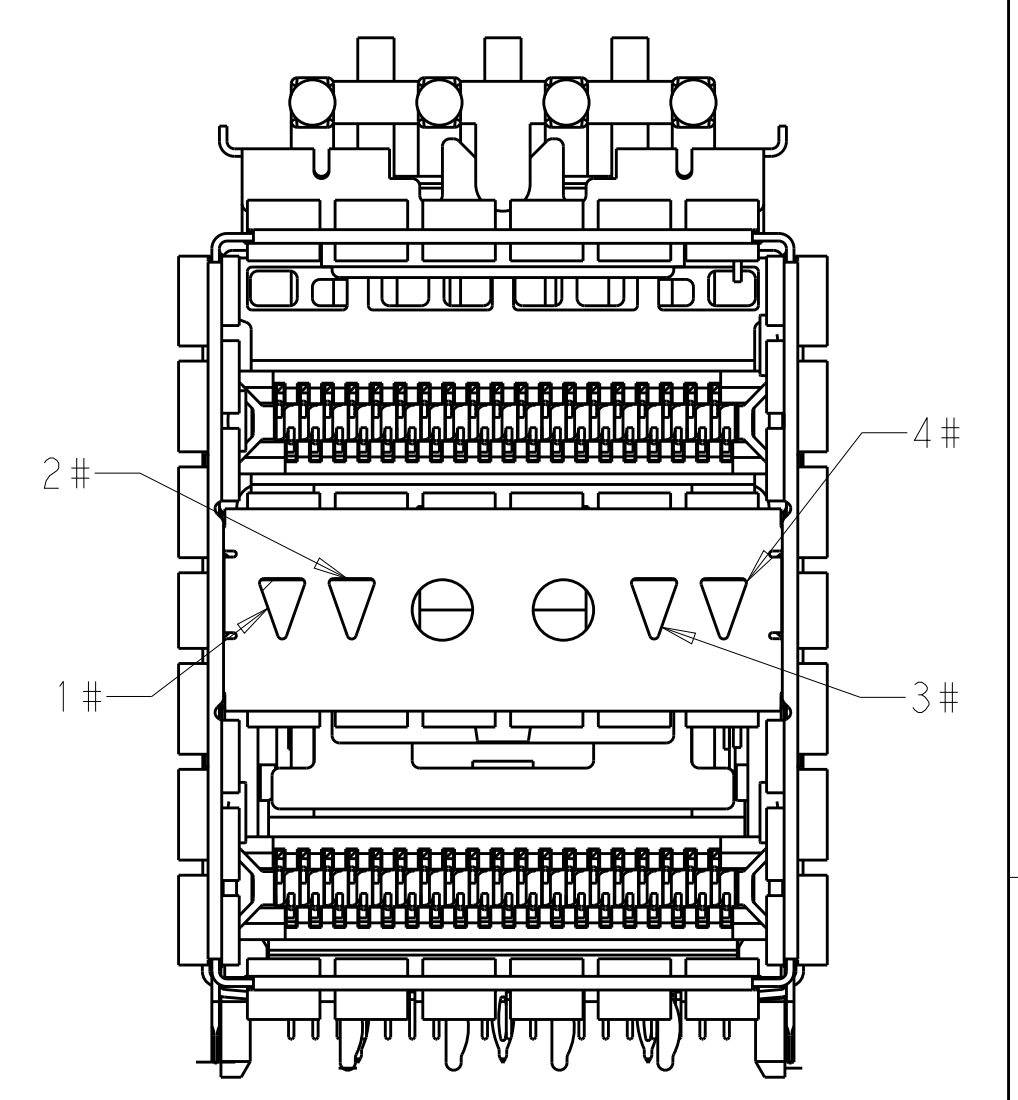
2227669-3
2227669-6
LEFT INDICATOR DOWN



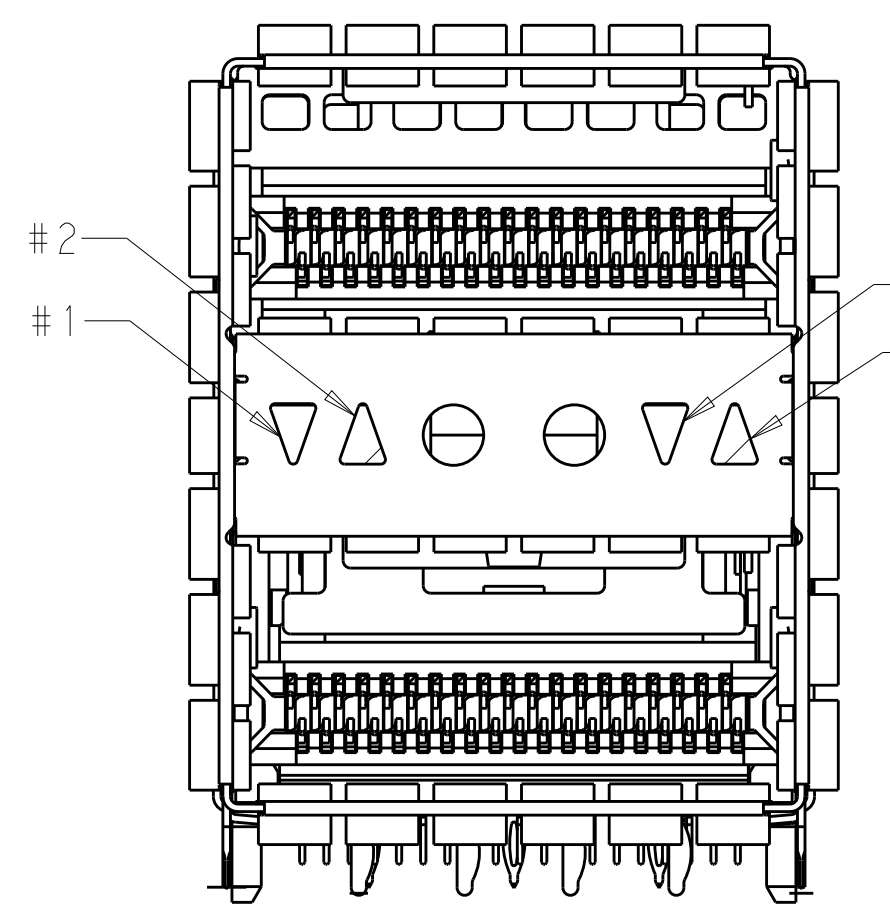
2227669-7
1-2227669-7
ALL INDICATOR UP, 4LP



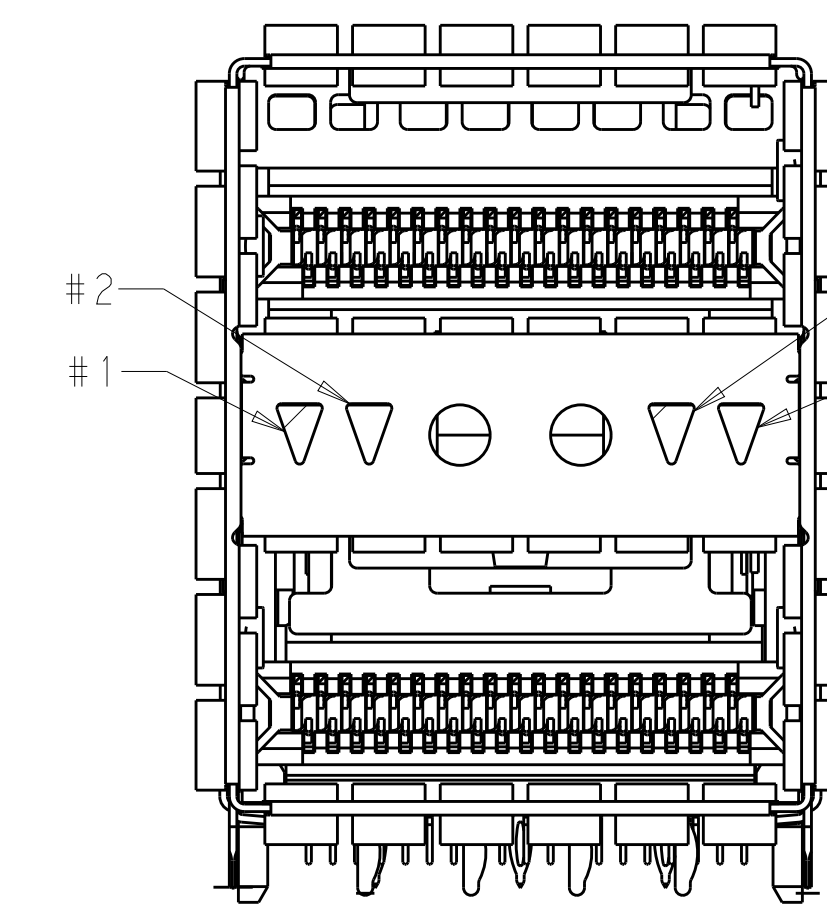
2227669-8
LEFT INDICATOR UP, 4LP



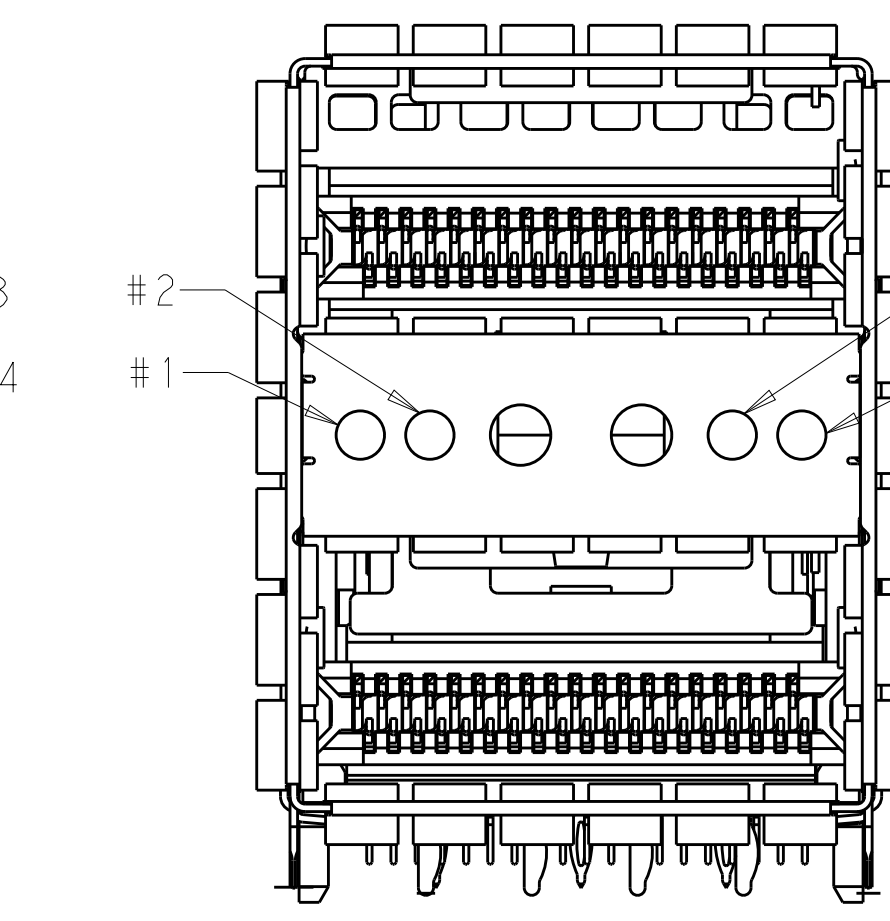
2-2227669-2
ALL INDICATOR DOWN, 8LP



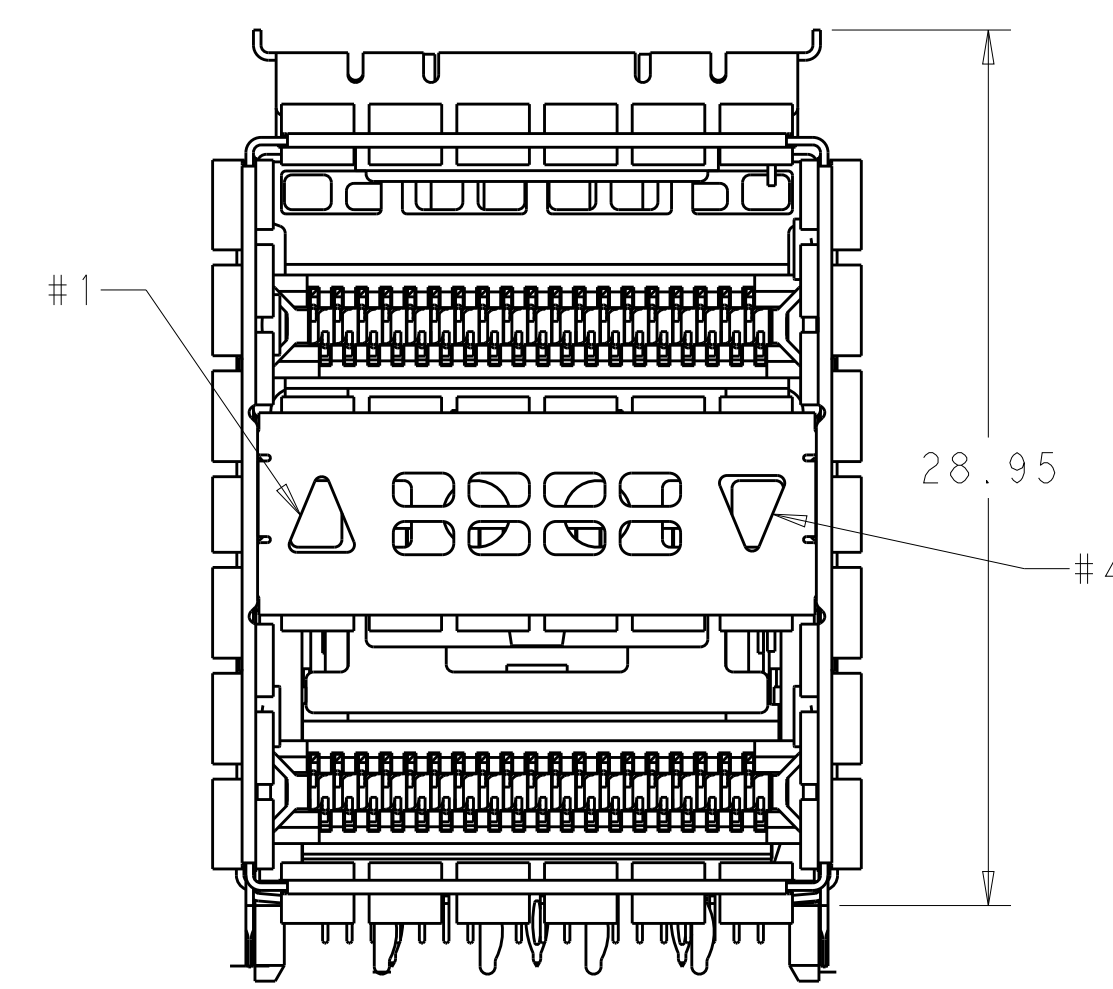
2227669-9
1-2227669-9
LEFT INDICATOR DOWN, 4LP



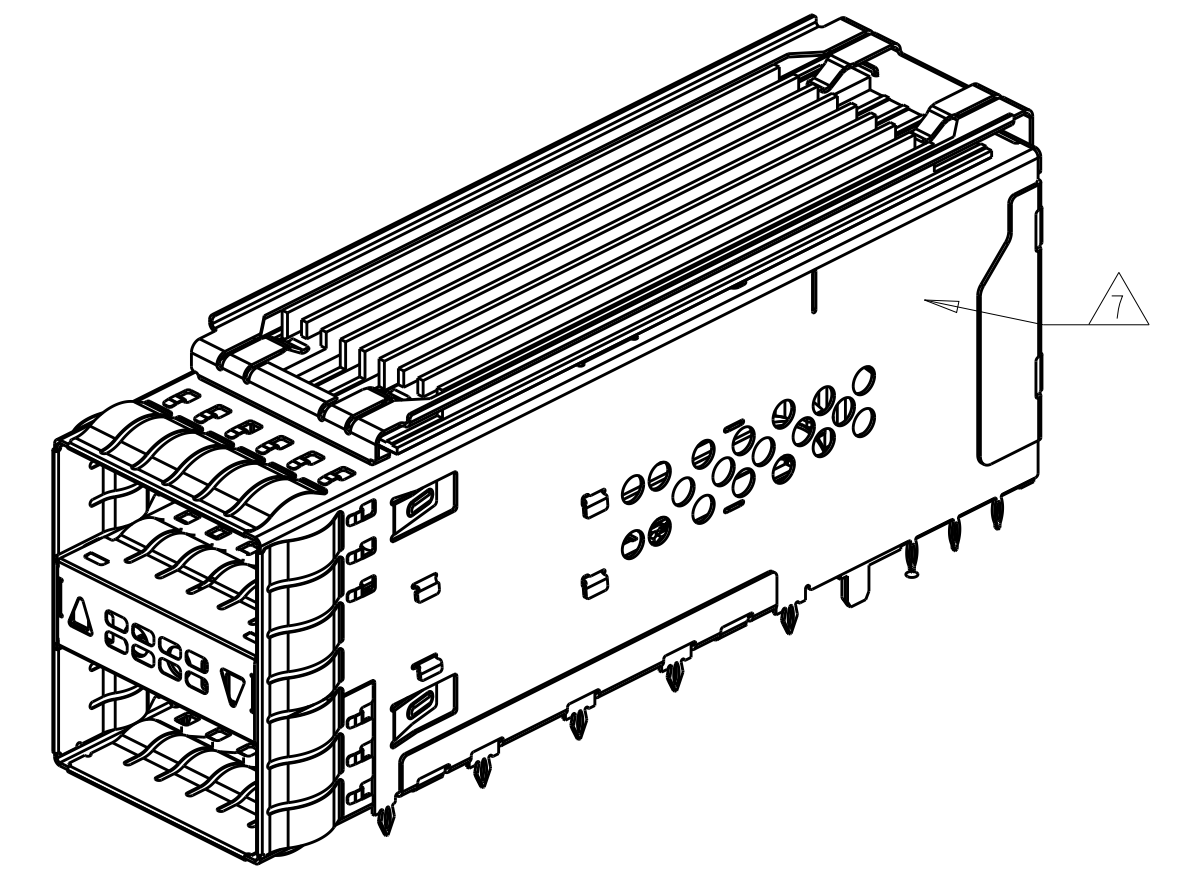
1-2227669-0
ALL INDICATOR DOWN, 4LP



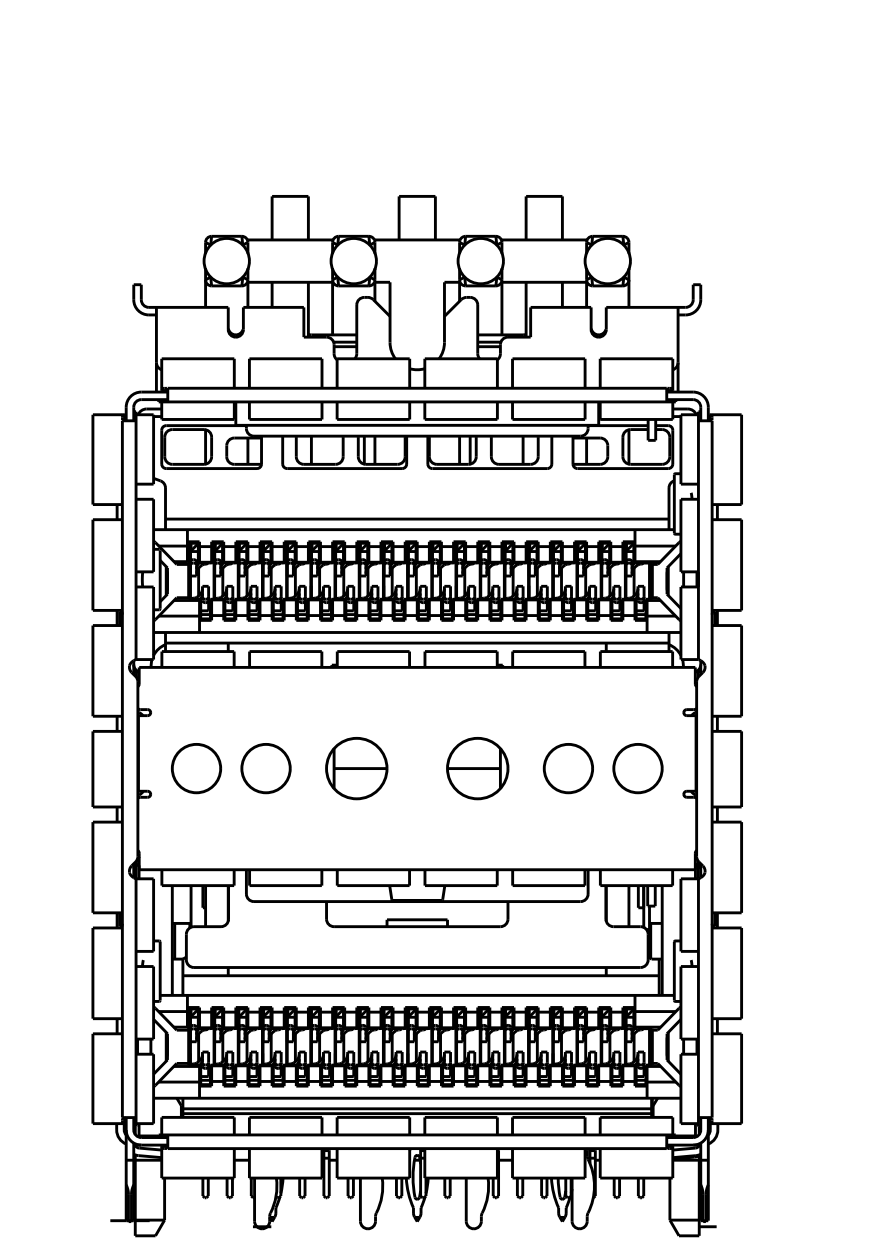
1-2227669-1
4-2227669-1
ROUND SHAPE INDICATORS, 4LP



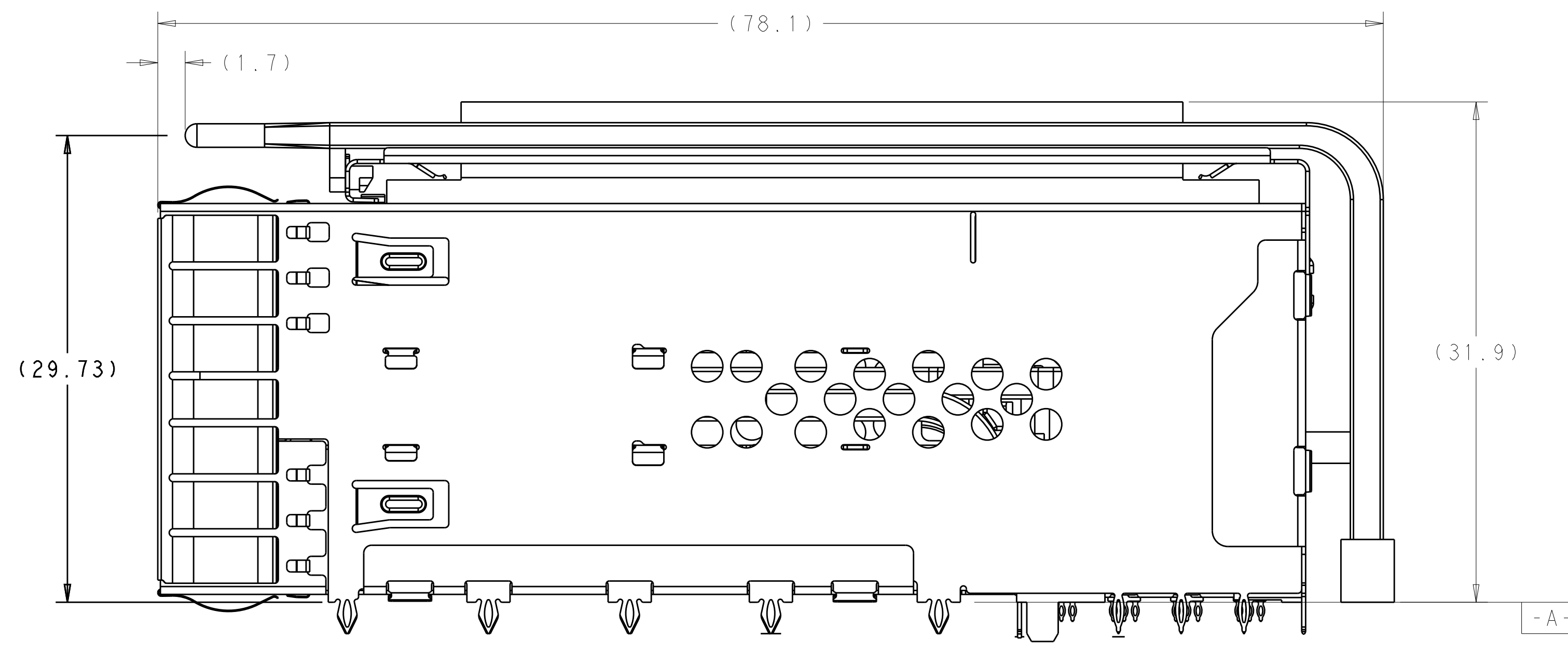
2-2227669-0
LEFT INDICATOR UP
SCALE 4:1



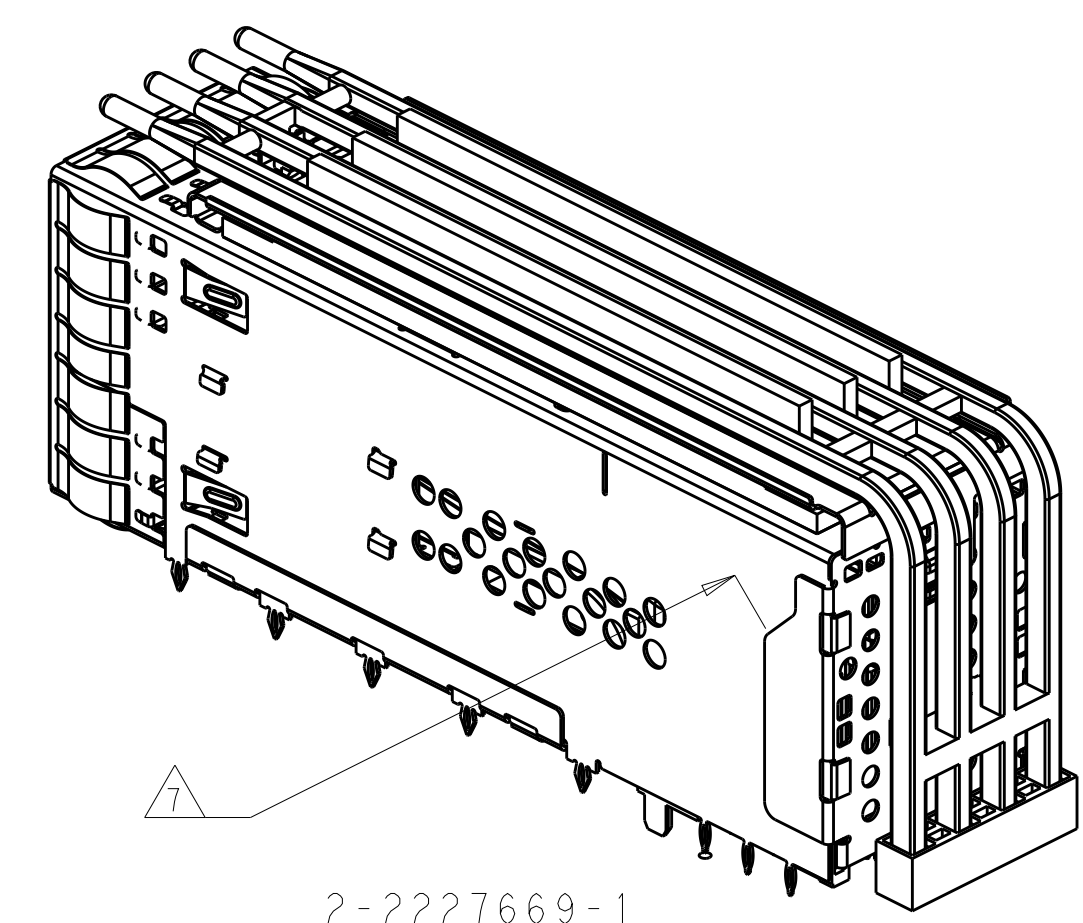
2-2227669-0
SCALE 2:1



2-2227669-1
ALL ROUND INDICATORS, 8LP
SCALE 4:1



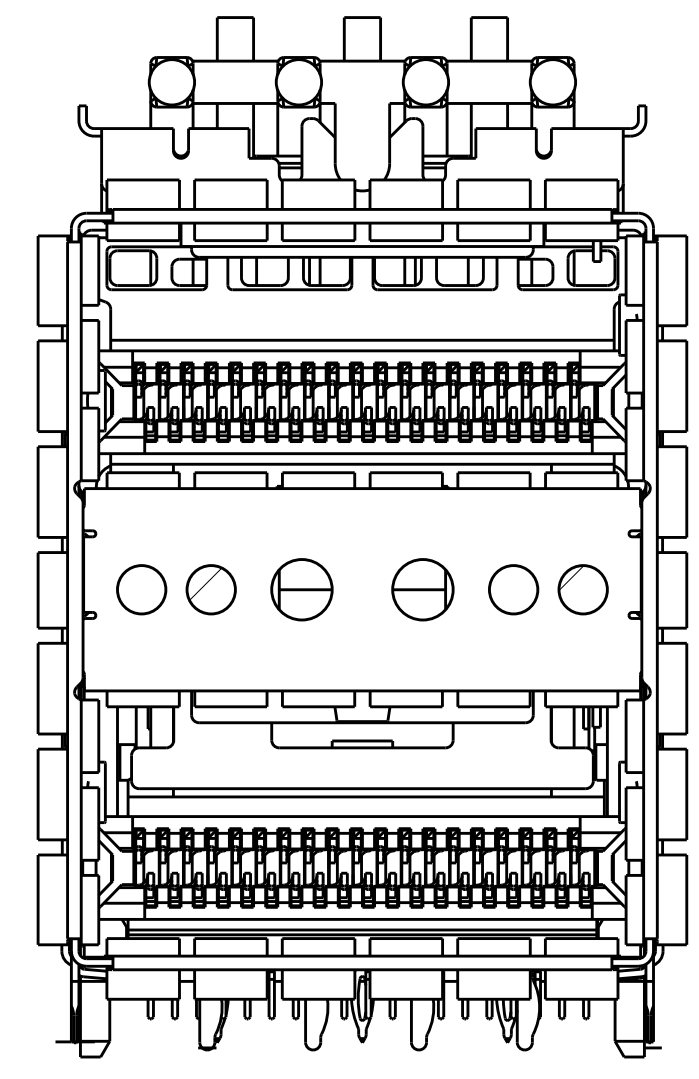
2-2227669-1
2-2227669-2



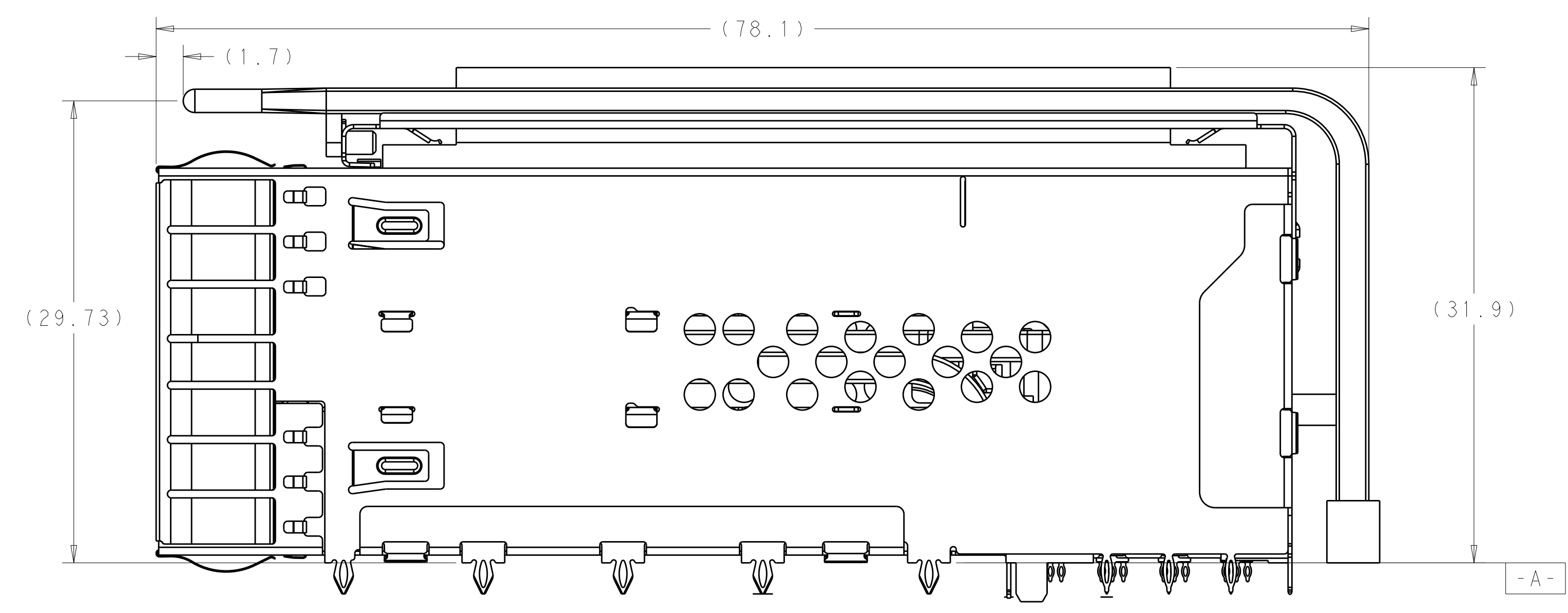
2-2227669-1
2-2227669-2
SCALE 2:1

THIS DRAWING IS A CONTROLLED DOCUMENT.		OWN: M. SHIRK 16JAN2013	TE Connectivity
DIMENSIONS: mm		CHK: D. SZCZESNY 16JAN2013	
TOLERANCES UNLESS OTHERWISE SPECIFIED:		APVD: -	NAME: CAGE AND CONNECTOR ASSEMBLY, WITH EMI SPRING FINGERS, THRU BEZEL, 2X1, ZQSFP+ STACKED
0 PLC ±		PRODUCT SPEC	RESTRICTED TO
1 PLC ±0.25		108-60102	
2 PLC ±0.15		APPLICATION SPEC	
3 PLC ±		114-60015	
4 PLC ±		WEIGHT	
ANGLES ±		SCALE 4:1	
MATERIAL: SEE NOTE 1		FINISH: -	
		CUSTOMER DRAWING	

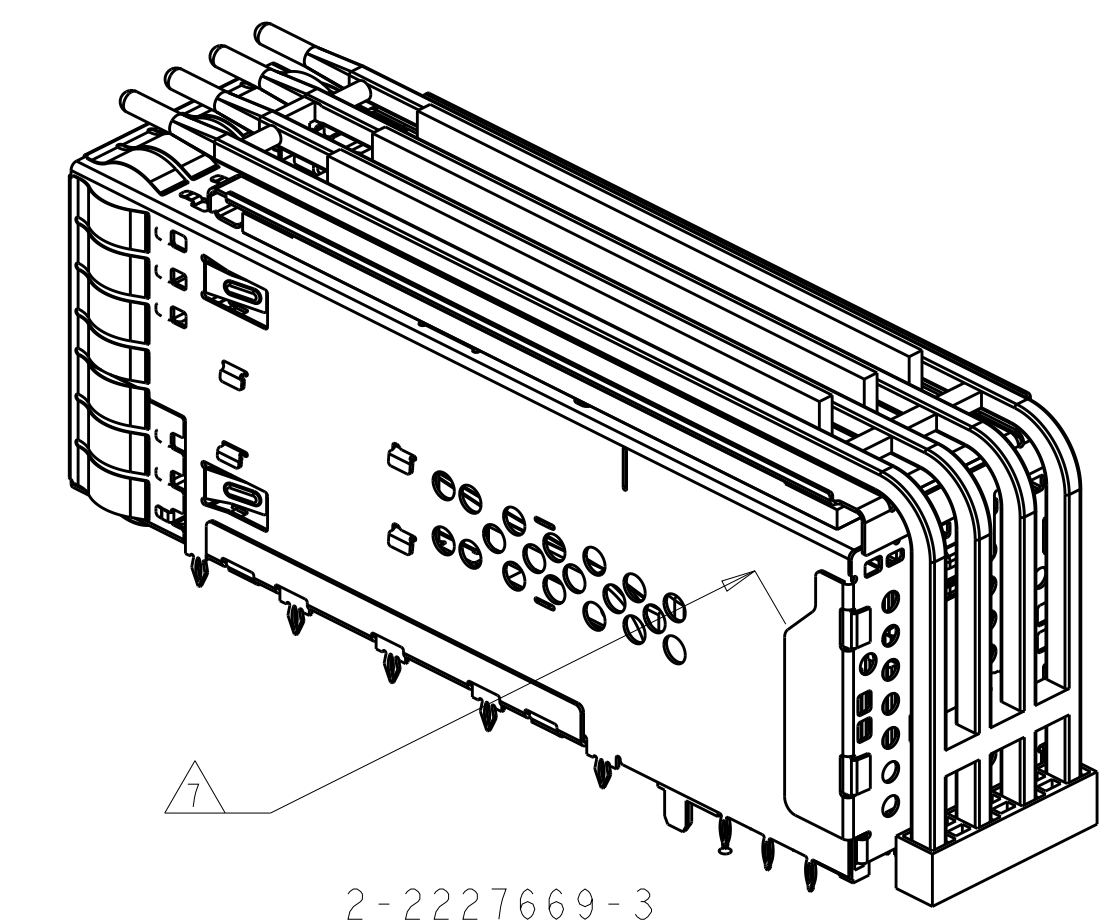
LOC		DIST		REVISIONS			
GP	00	P	LTN	DESCRIPTION	DATE	DMN	APVD
		-		SEE SHEET 1			



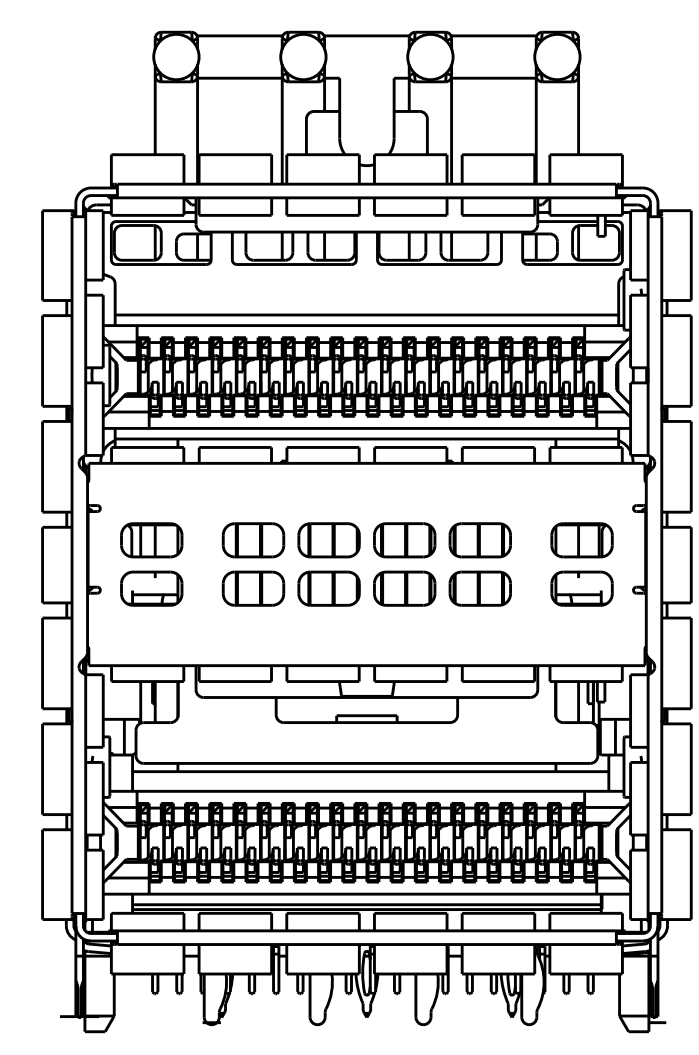
2-2227669-3
 ALL ROUND INDICATORS, 8LP
 SCALE 4:1



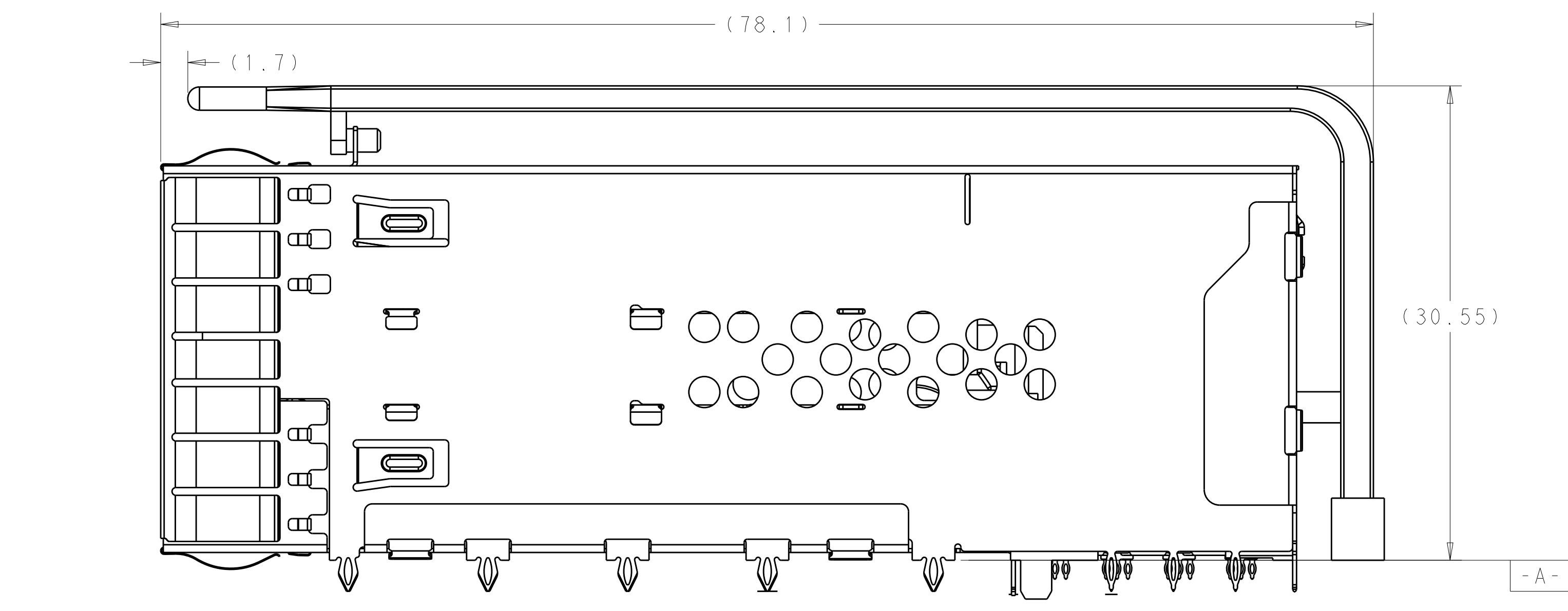
2-2227669-3



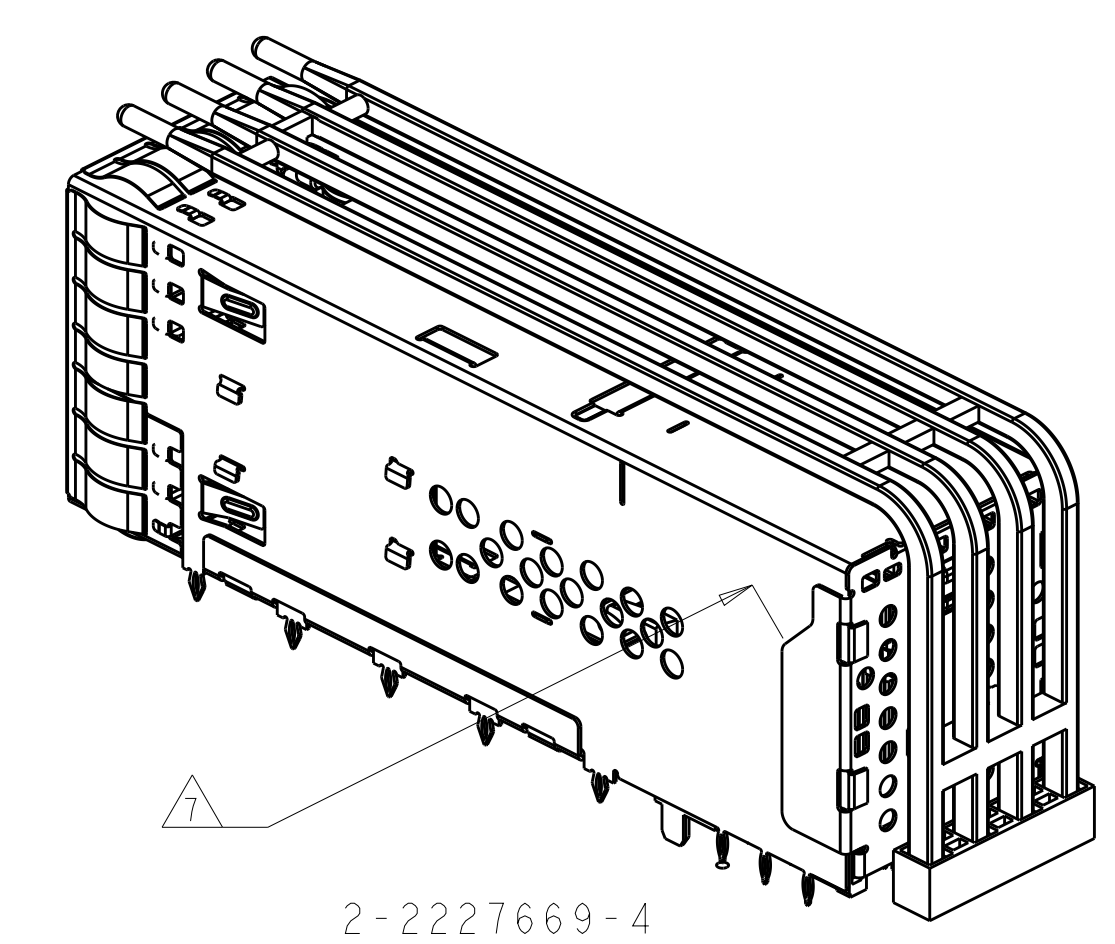
2-2227669-3
 SCALE 2:1



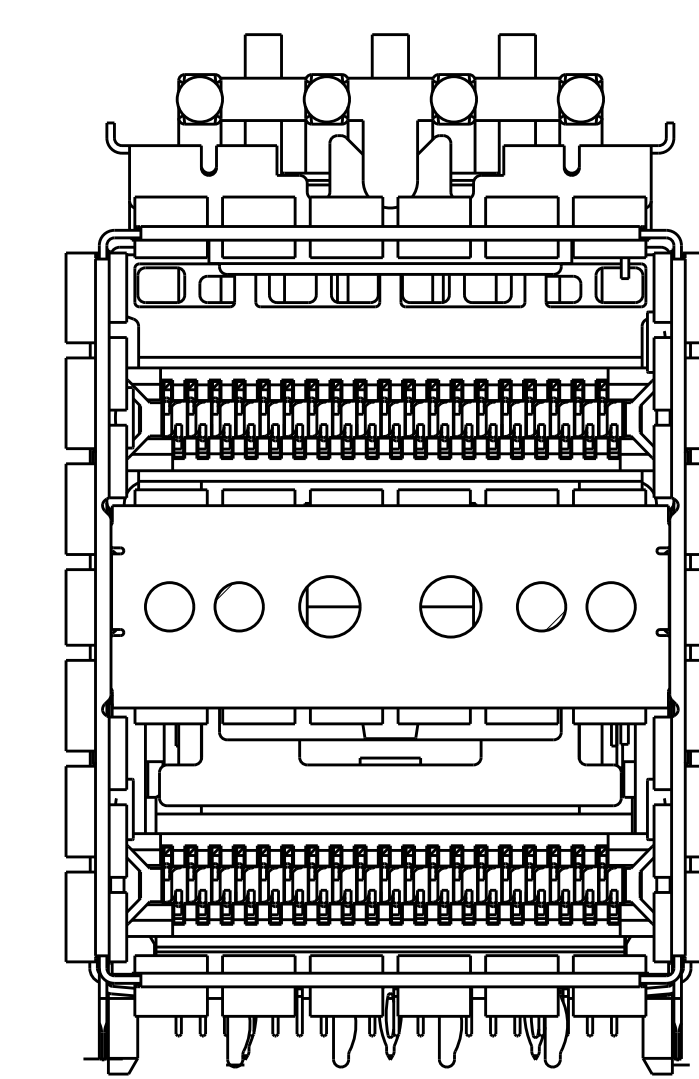
2-2227669-4
 4 UPPER LP
 SCALE 4:1



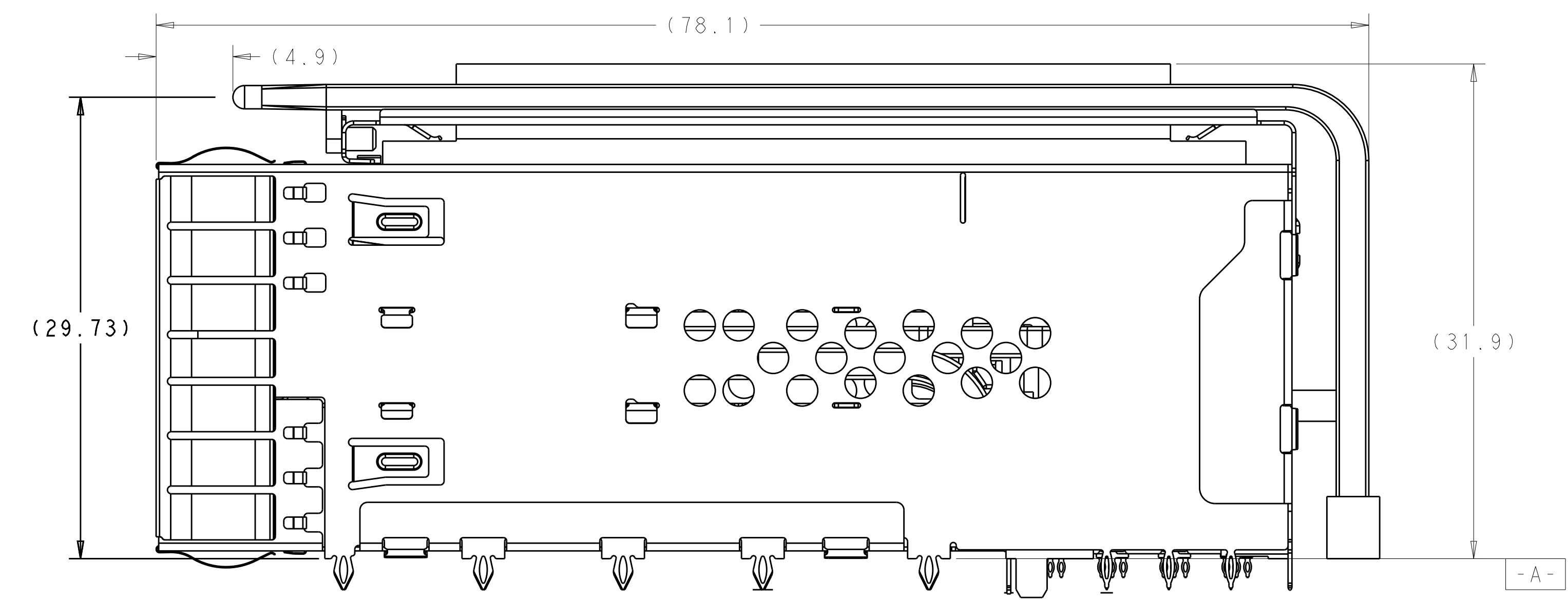
2-2227669-4



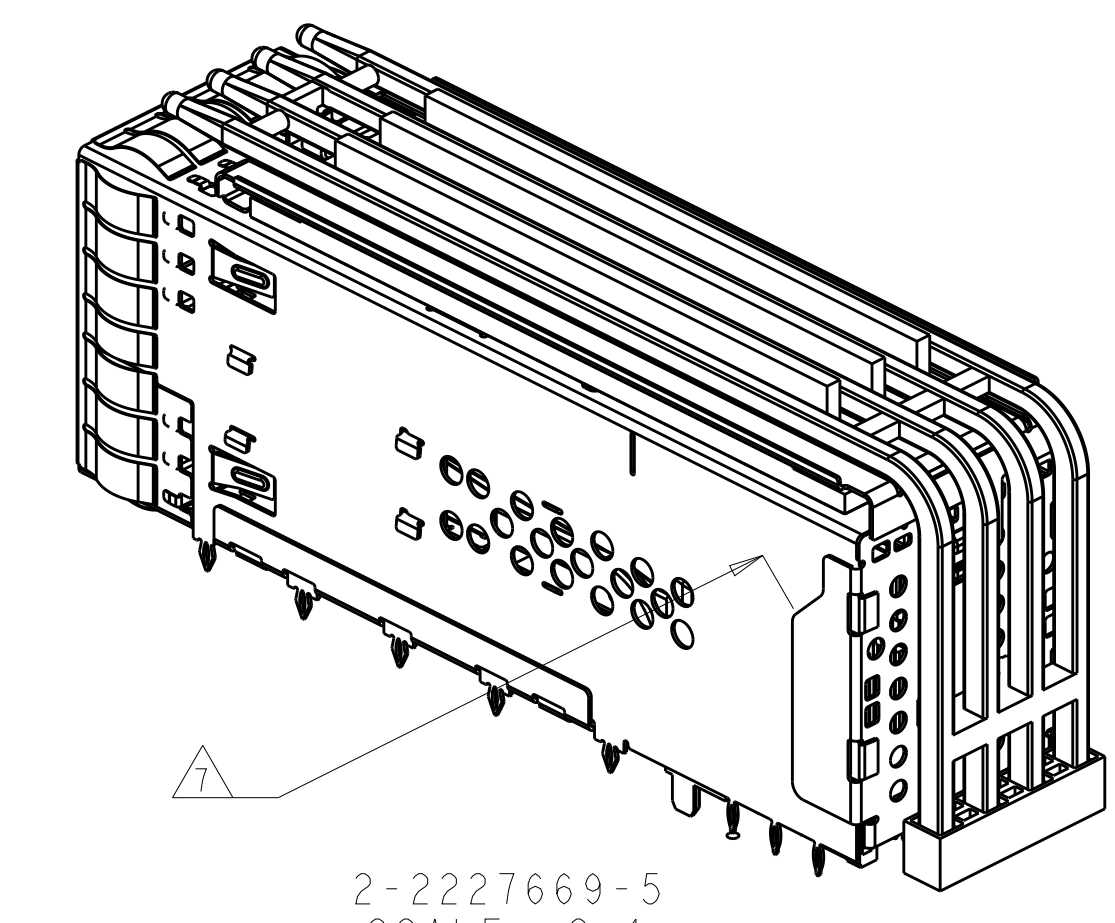
2-2227669-4
 SCALE 2:1



2-2227669-5
 ALL ROUND INDICATORS, 8LP
 SCALE 4:1



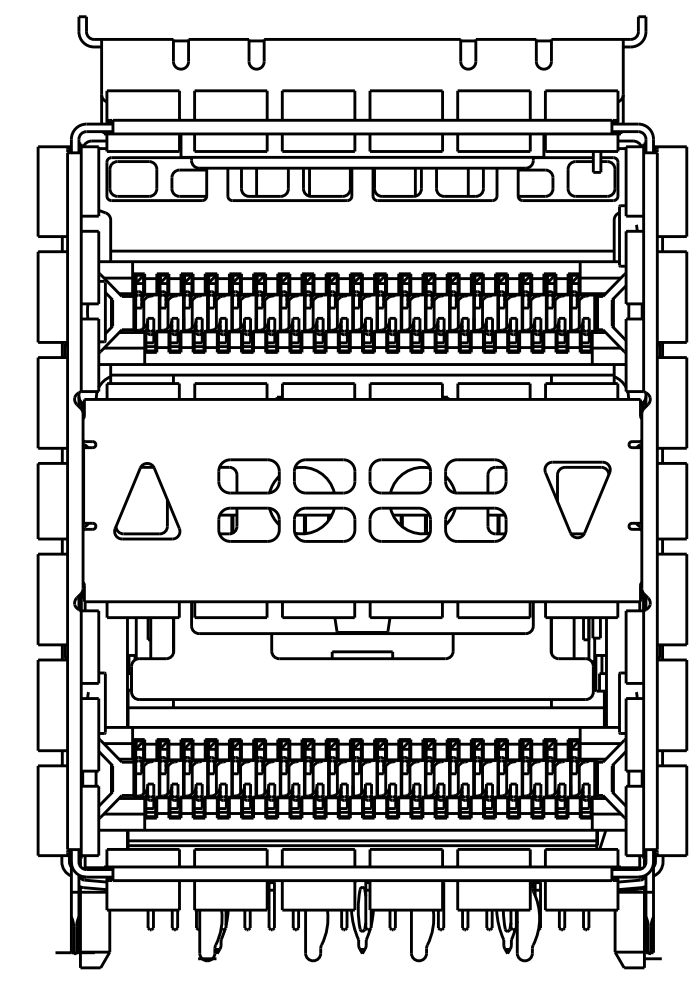
2-2227669-5



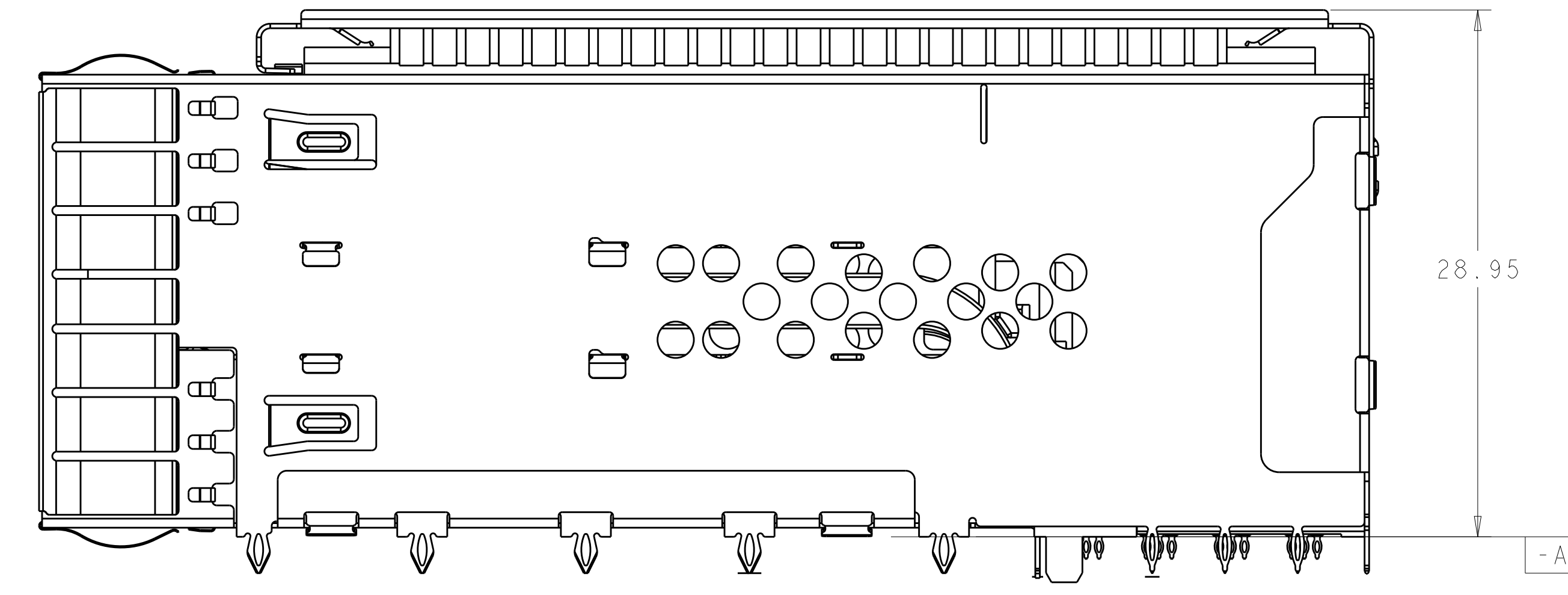
2-2227669-5
 SCALE 2:1

THIS DRAWING IS A CONTROLLED DOCUMENT.		DMN: M. SHIRK 16JAN2013	TE Connectivity
DIMENSIONS:		CHK: D. SZCZESNY 16JAN2013	
mm	0 PLC ±	APVD: -	NAME: CAGE AND CONNECTOR ASSEMBLY, WITH EMI SPRING FINGERS, THRU BEZEL, 2X1, ZOSFP+ STACKED
	1 PLC ±0.25	PRODUCT SPEC: 108-60102	SIZE: CAGE CODE DRAWING NO: A100779
	2 PLC ±0.15	APPLICATION SPEC: 114-60015	RESTRICTED TO: -
	3 PLC ±	WEIGHT: -	SCALE: 4:1 SHEET 3 OF 8 REV F
	4 PLC ±	CUSTOMER DRAWING	
MATERIAL: SEE NOTE 1	FINISH: -		

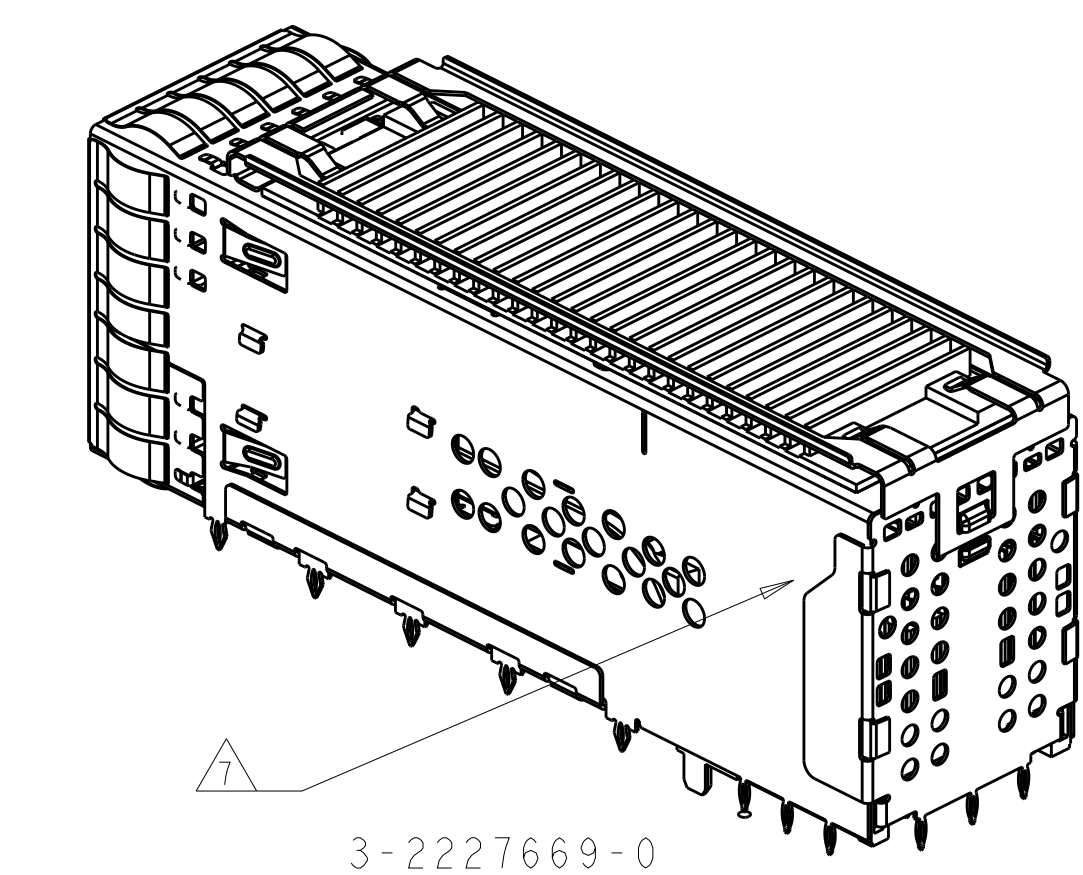
LOC	DIST	REVISIONS			
P	LTN	DESCRIPTION	DATE	DMN	APVD
GP	00	SEE SHEET 1			



3-2227669-0
 LEFT INDICATOR UP
 SCALE 4:1



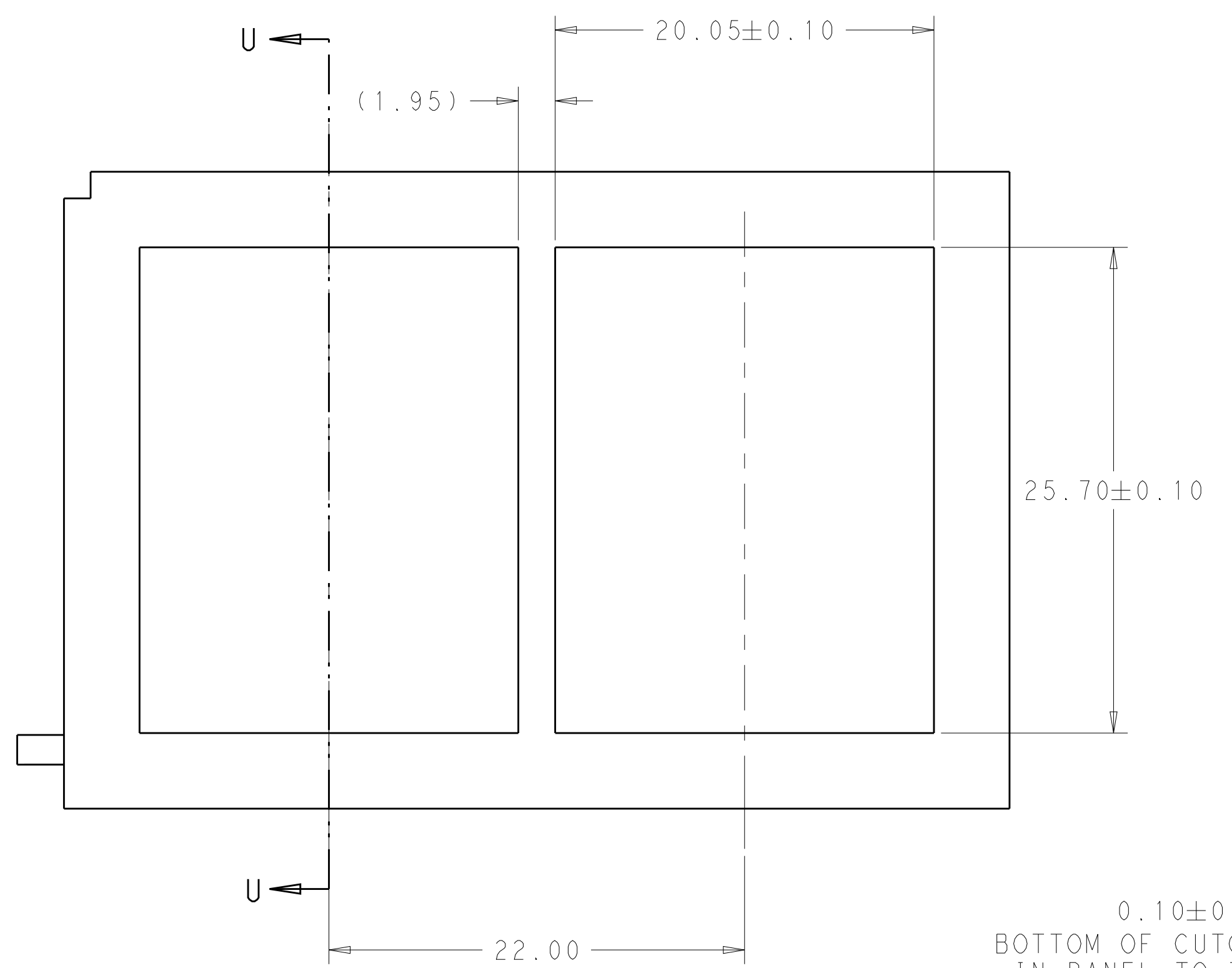
3-2227669-0



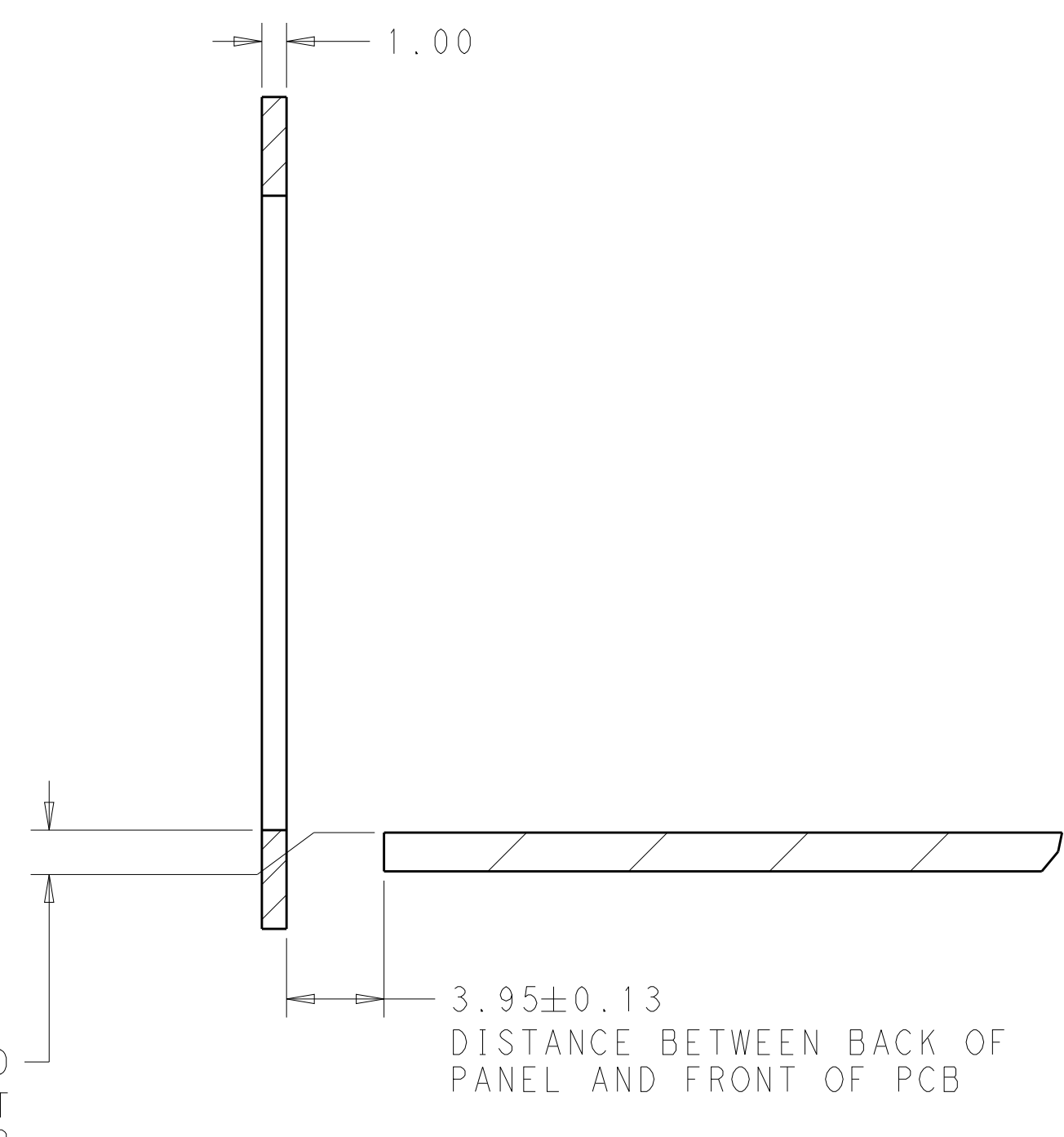
3-2227669-0
 SCALE 2:1

THIS DRAWING IS A CONTROLLED DOCUMENT.		DMN M. SHIRK 16JAN2013	TE Connectivity
DIMENSIONS:		CHK D. SZCZESNY 16JAN2013	
mm	0 PLC ± 1 PLC ±0.25 2 PLC ±0.15 3 PLC ± 4 PLC ± ANGLES ± FINISH -	TOLERANCES UNLESS OTHERWISE SPECIFIED: PRODUCT SPEC 108-60102 APPLICATION SPEC 114-60015 WEIGHT -	NAME CAGE AND CONNECTOR ASSEMBLY, WITH EMI SPRING FINGERS, THRU BEZEL, 2X1, ZOSFP+ STACKED
MATERIAL SEE NOTE 1		APVD - SIZE A100779C=2227669 CUSTOMER DRAWING	RESTRICTED TO SCALE 4:1 SHEET 4 OF 8 REV F

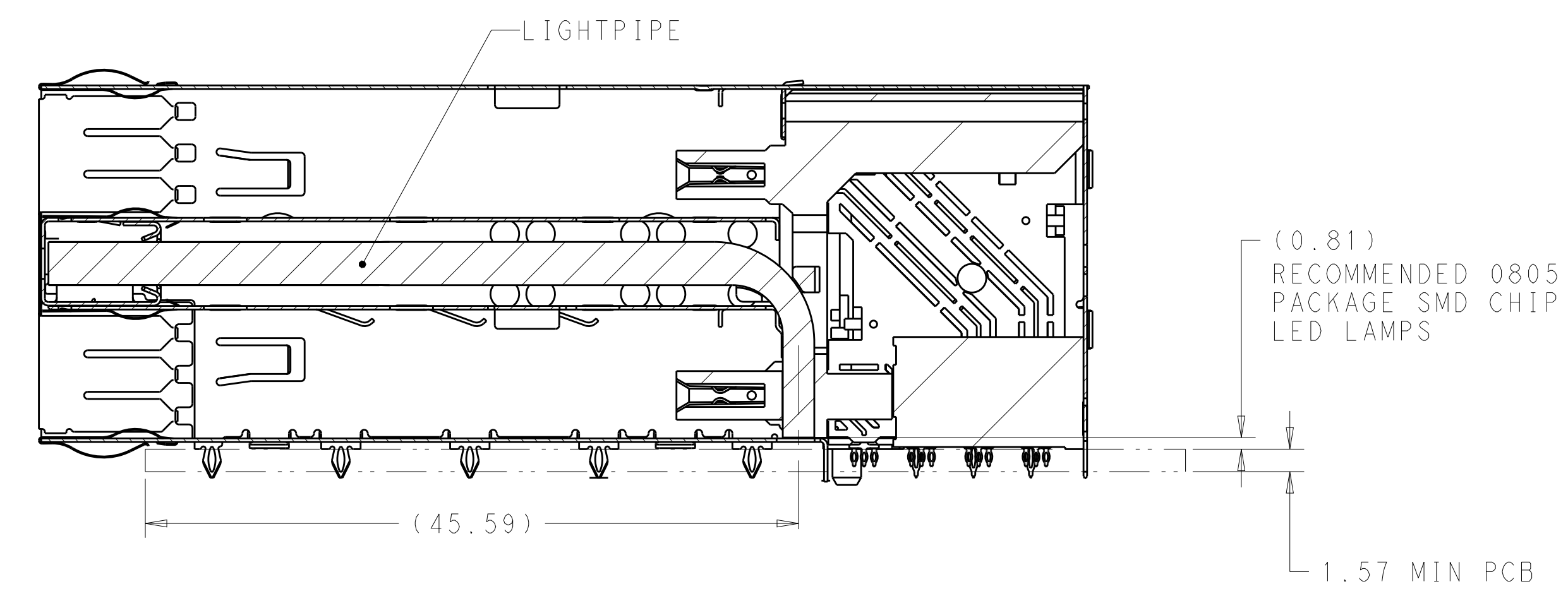
LOC	DIST	REVISIONS			
P	LTN	DESCRIPTION	DATE	DMN	APVD
GP	00	SEE SHEET 1			



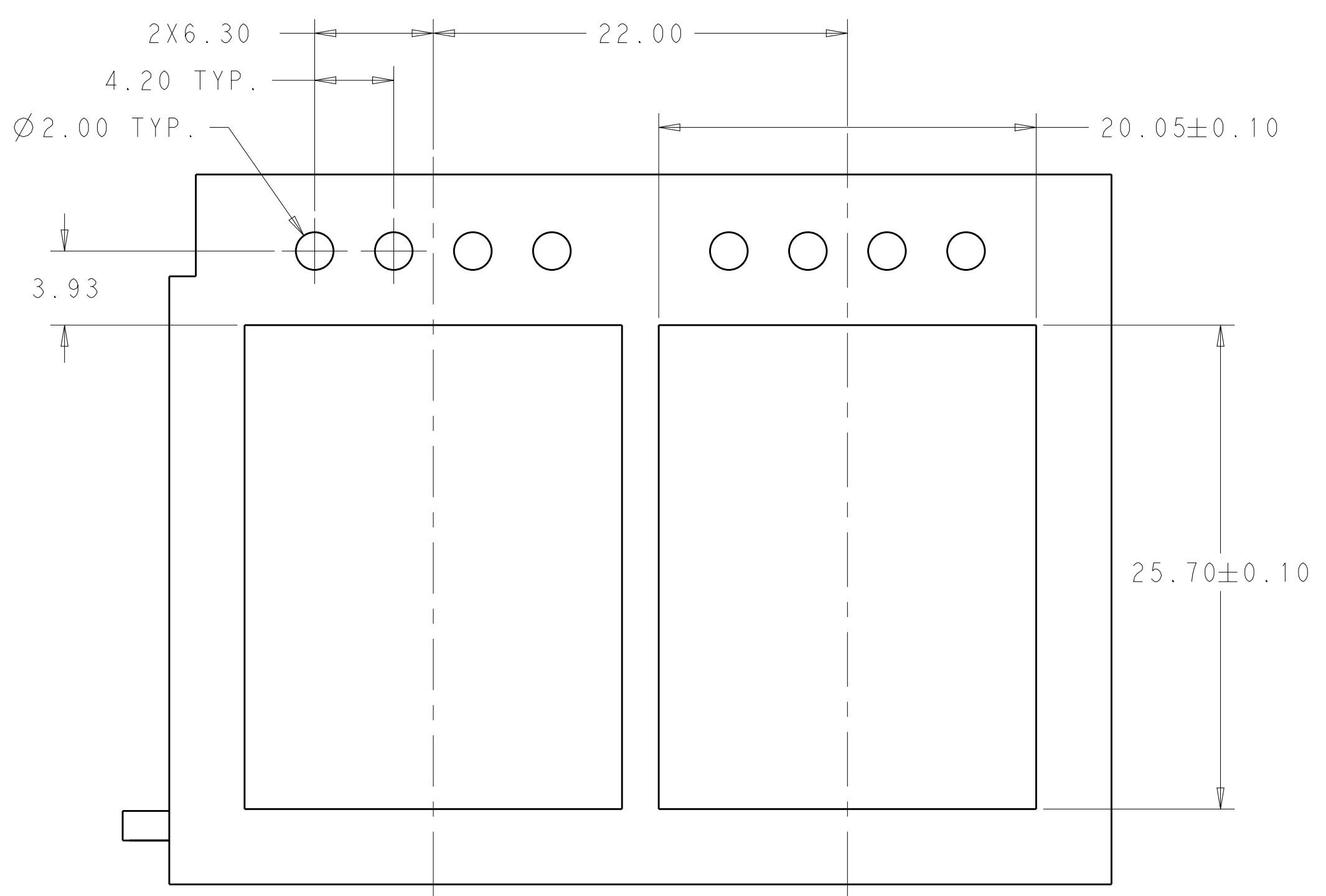
RECOMMENDED PANEL CUTOUT AND PC BOARD, PANEL POSITION



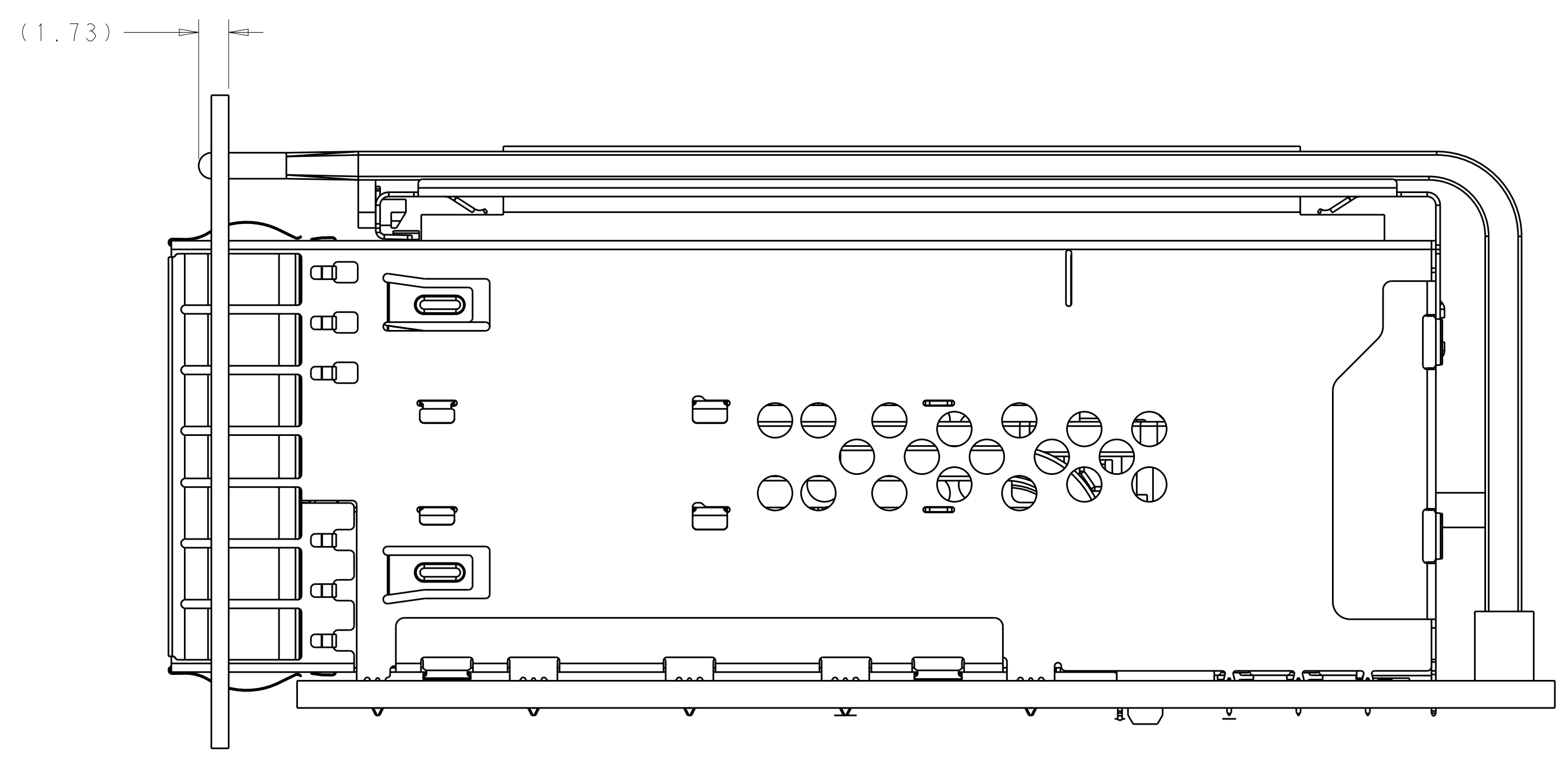
SECTION U-U



SECTION V-V
SCALE 3:1

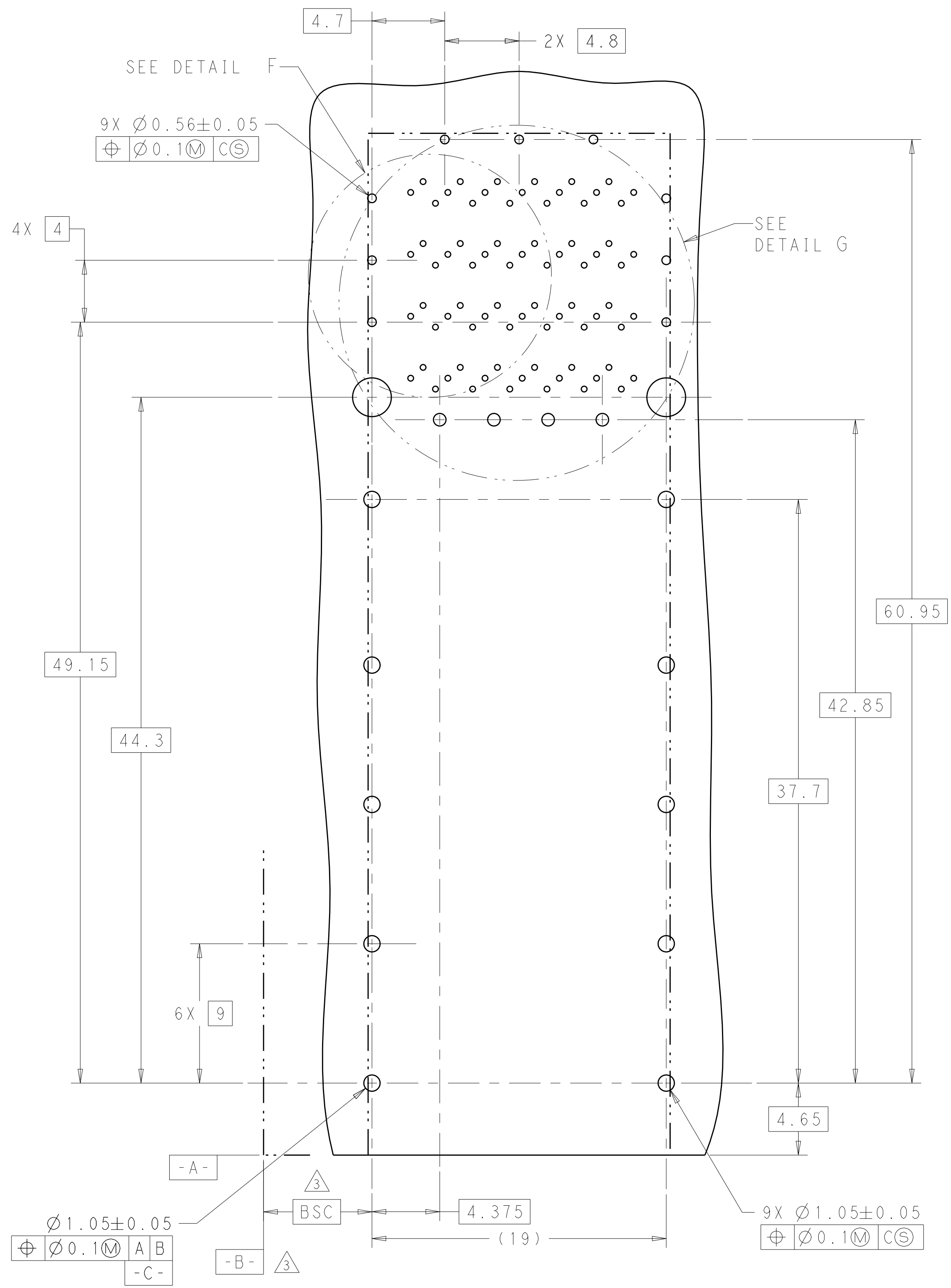


RECOMMENDED PANEL CUTOUT AND PC BOARD, PANEL POSITION FOR 2-2227669-1
SCALE 4:1

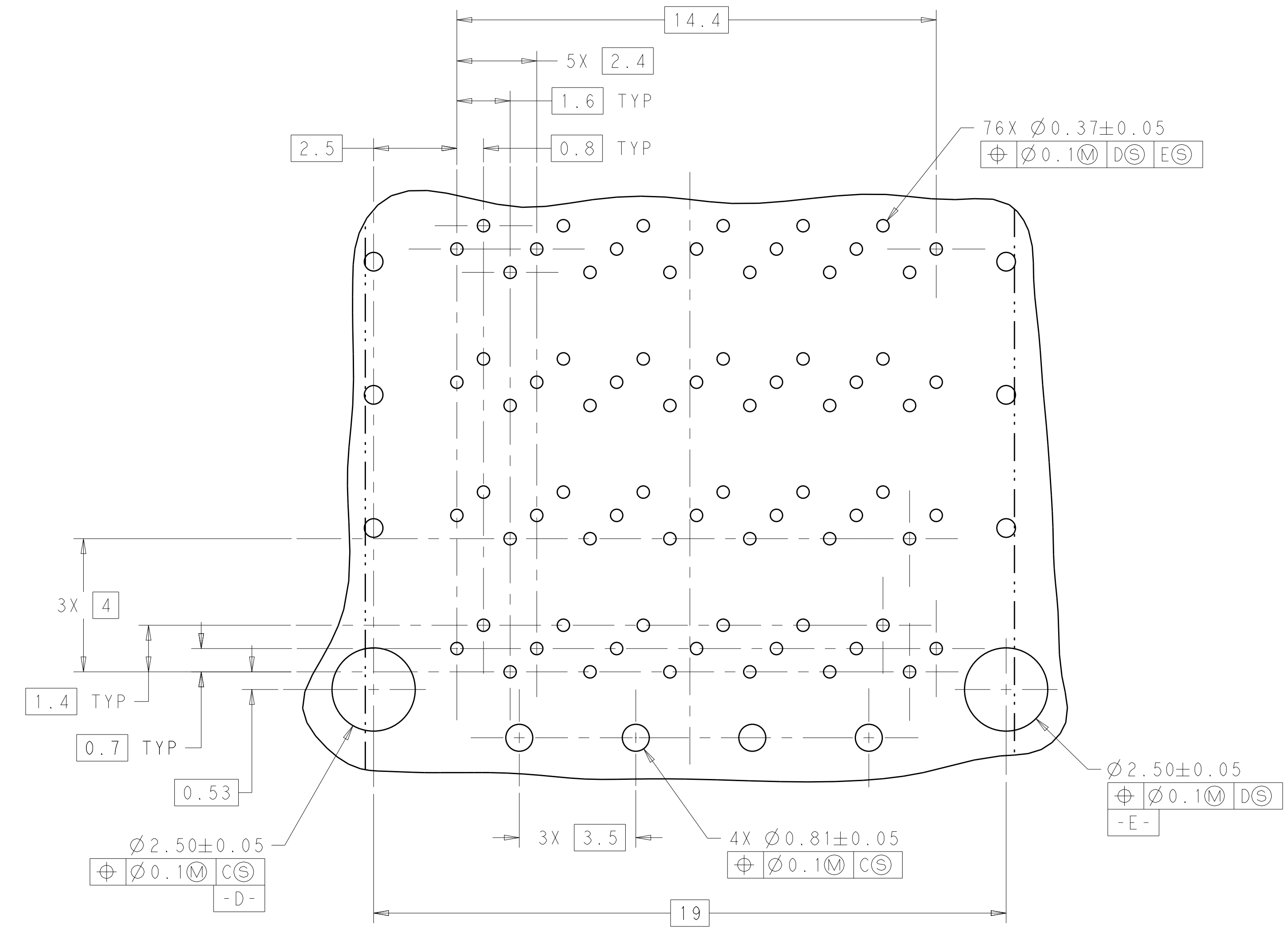


THIS DRAWING IS A CONTROLLED DOCUMENT.		DMN: M. SHIRK 16JAN2013	TE Connectivity
DIMENSIONS: mm		CHK: D. SZCZESNY 16JAN2013	
TOLERANCES UNLESS OTHERWISE SPECIFIED:		APVD: -	NAME: CAGE AND CONNECTOR ASSEMBLY, WITH EMI SPRING FINGERS, THRU BEZEL, 2X1, ZOSFP+ STACKED
0 PLC ±	1 PLC ±0.25	PRODUCT SPEC: 108-60102	SIZE: A1
2 PLC ±0.15	3 PLC ±	APPLICATION SPEC: 114-60015	CAGE CODE: 2227669
4 PLC ±	ANGLES ±	WEIGHT: -	RESTRICTED TO: -
MATERIAL: SEE NOTE 1	FINISH: -	CUSTOMER DRAWING	SCALE: 4:1 SHEET 5 OF 8 REV F

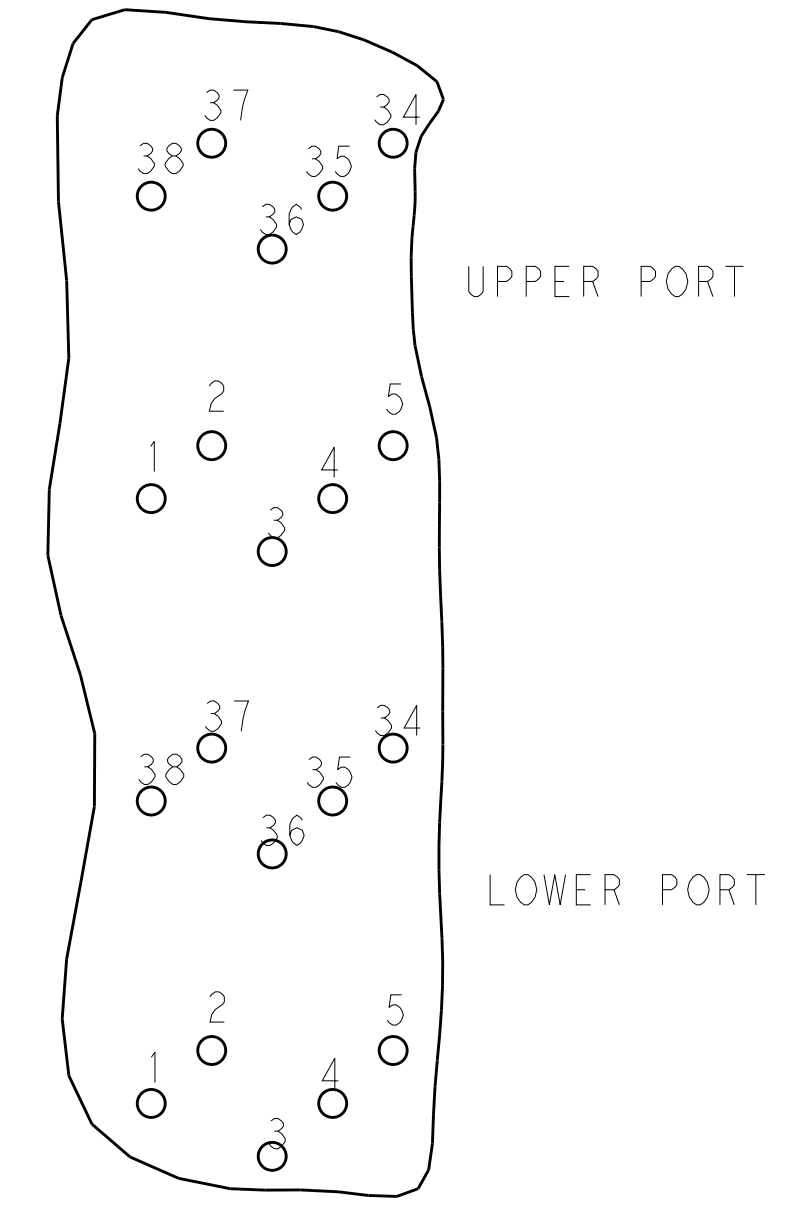
LOC	DIST	REVISIONS			
GP	00	REV	DATE	BY	APPV
		-	SEE SHEET 1	-	-



RECOMMENDED PC BOARD LAYOUT
 COMPONENT SIDE OF BOARD
 SCALE 5:1
 (PCB TOLERANCE: ±0.05)



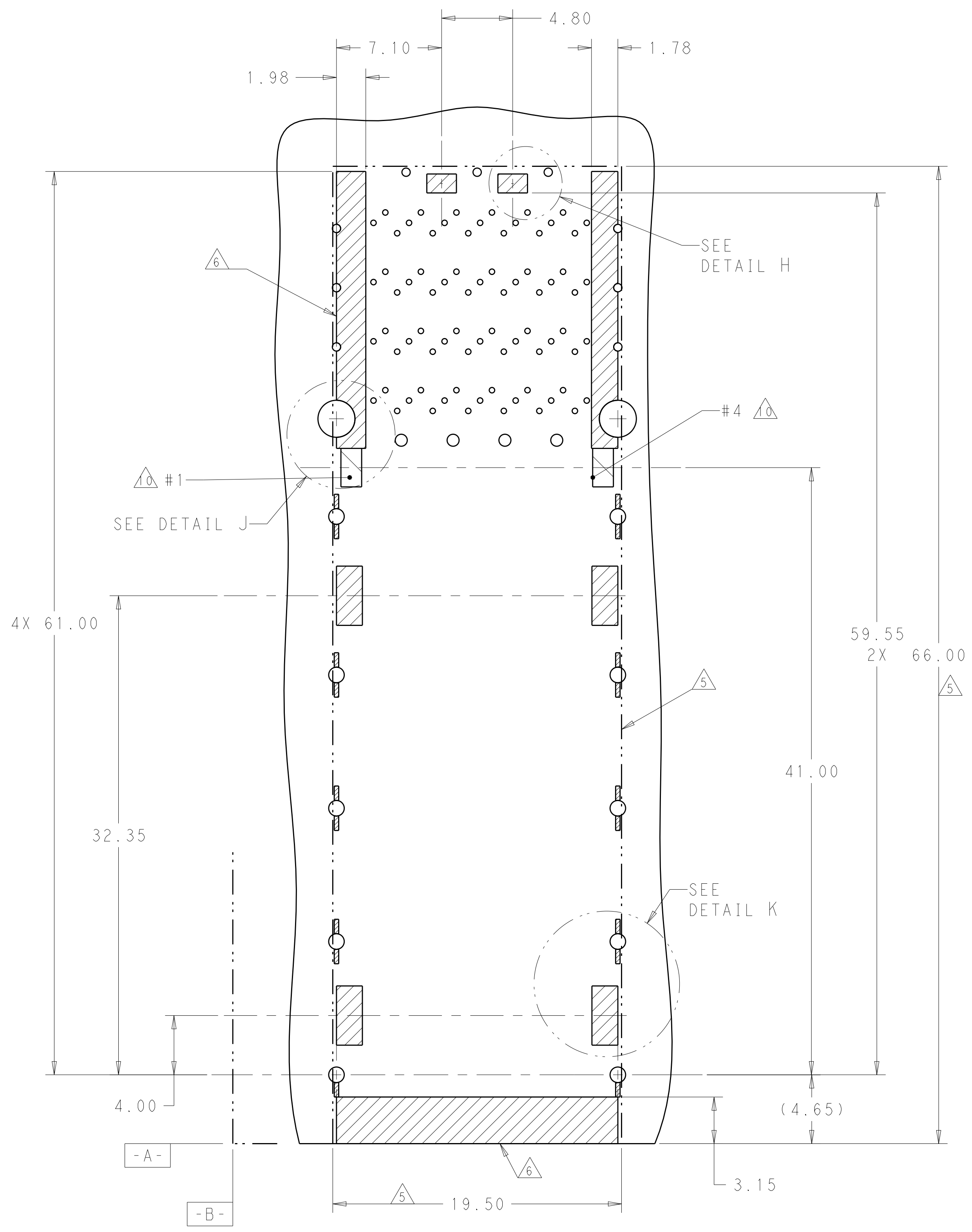
DETAIL G
 SCALE 10:1



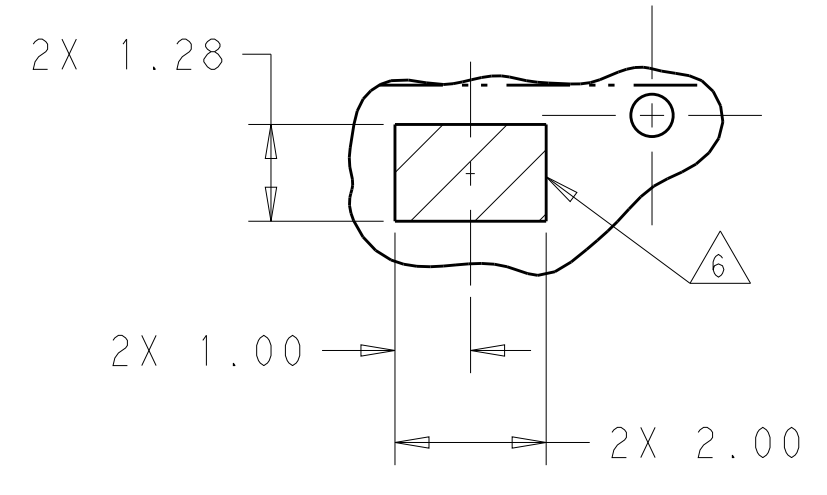
DETAIL F
 SCALE 10:1
 PIN ASSIGNMENTS

THIS DRAWING IS A CONTROLLED DOCUMENT.		OWN: M. SHIRK 16JAN2013	TE Connectivity
DIMENSIONS: mm		CHK: D. SZCZESNY 16JAN2013	
TOLERANCES UNLESS OTHERWISE SPECIFIED:		APVD: -	NAME: CAGE AND CONNECTOR ASSEMBLY, WITH EMI SPRING FINGERS, THRU BEZEL, 2X1, ZQSFP+ STACKED
0 PLC ±0.25	1 PLC ±0.15	PRODUCT SPEC: 108-60102	SIZE: 114-60015
2 PLC ±0.15	3 PLC ±0.15	APPLICATION SPEC: -	WEIGHT: -
4 PLC ±0.15	5 PLC ±0.15	ANGLES: -	MATERIAL: -
FINISH: -		RESTRICTED TO: -	SCALE: 4:1
SEE NOTE 1		CUSTOMER DRAWING	SHEET 6 OF 8

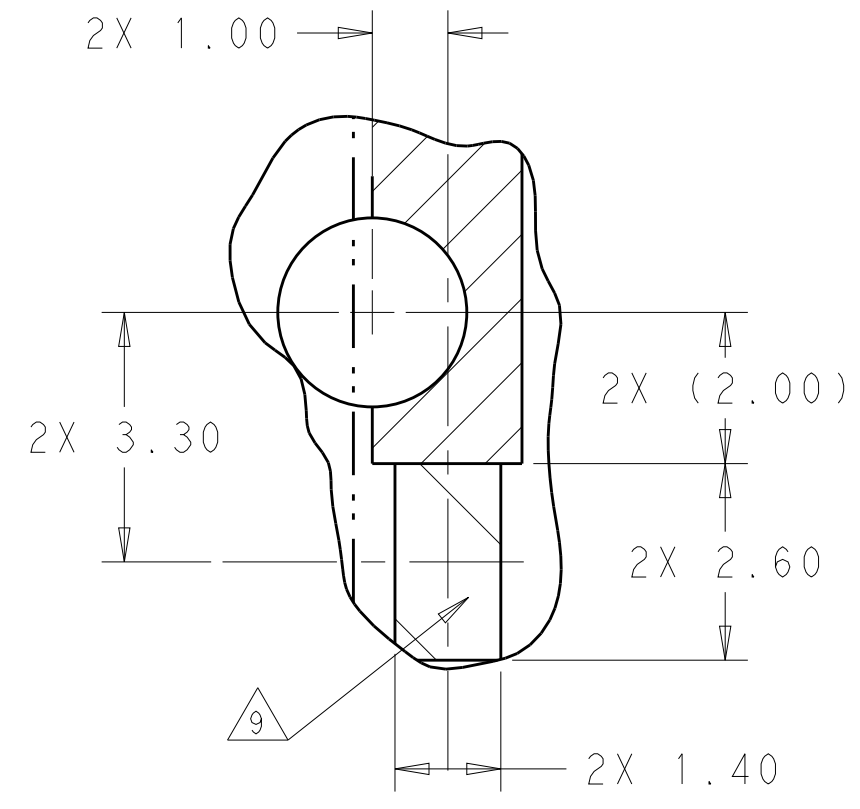
LOC		DIST		REVISIONS			
GP	00	P	LTN	DESCRIPTION	DATE	DMN	APVD
		-		SEE SHEET 1			



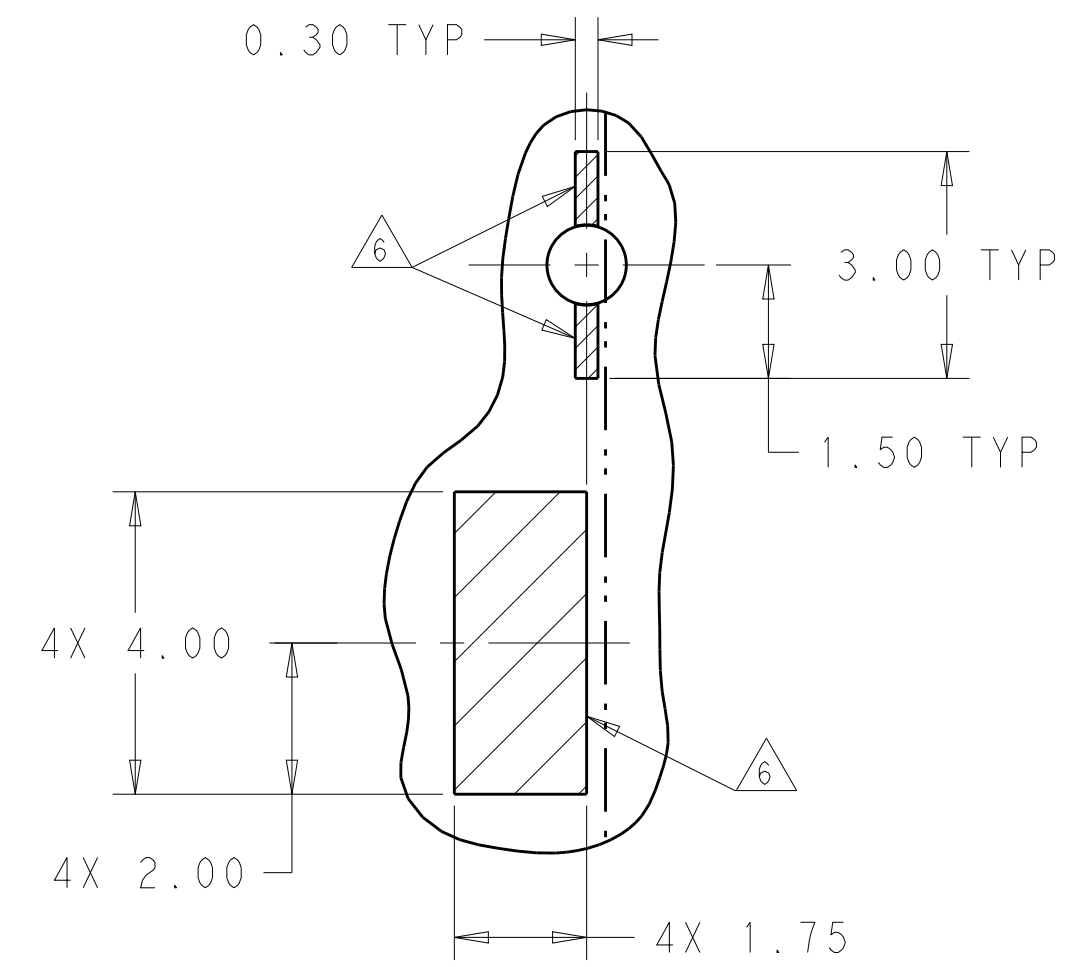
KEEPOUT AREAS FOR 2LP APPLICATION
 COMPONENT SIDE OF BOARD
 SCALE 5:1



DETAIL H
 SCALE 10:1



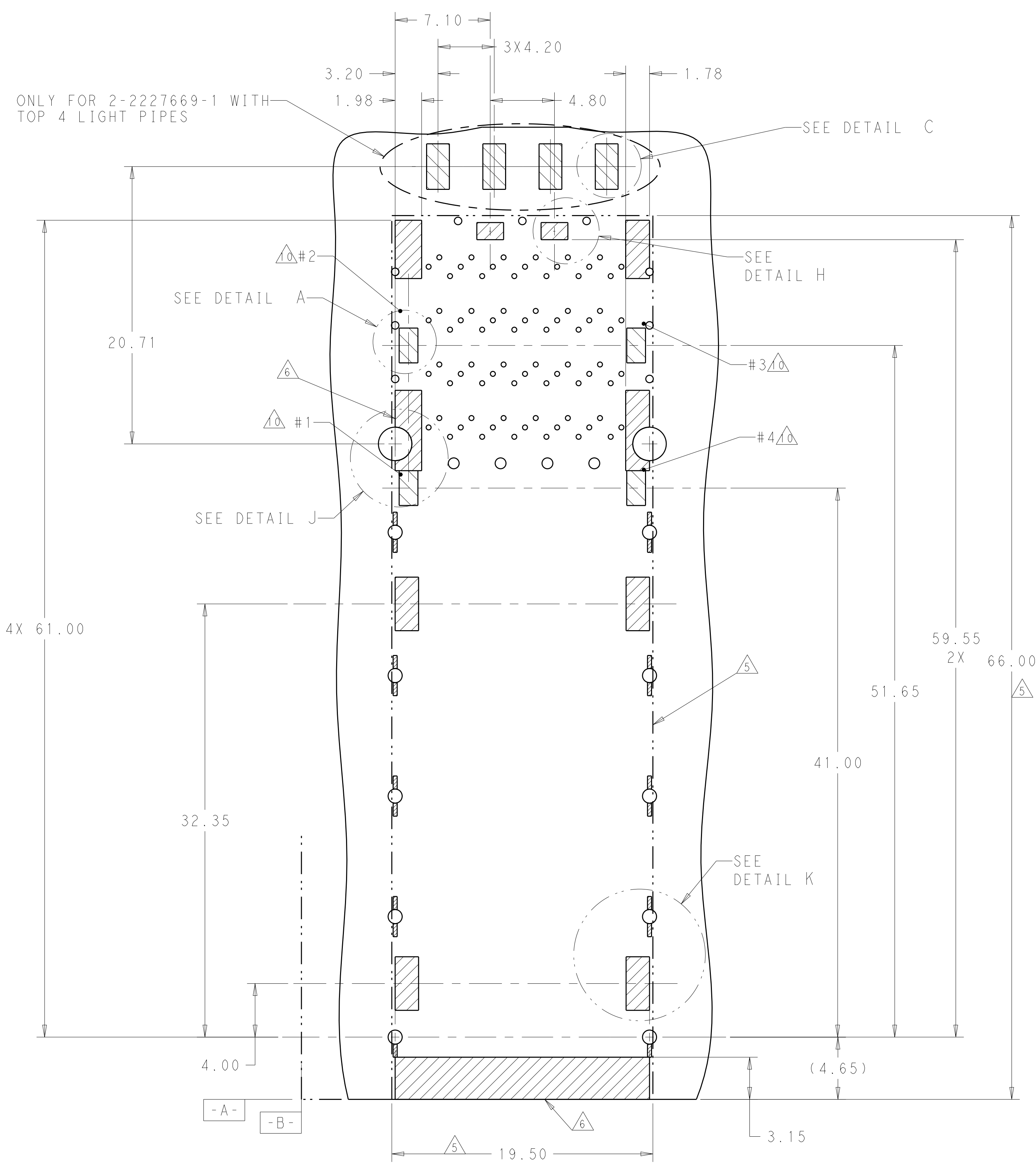
DETAIL J
 LED PADS
 SCALE 10:1



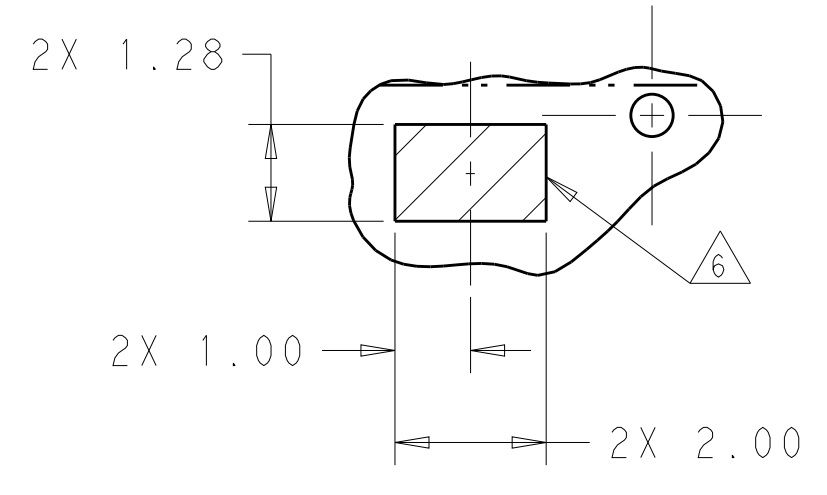
DETAIL K
 SCALE 10:1

THIS DRAWING IS A CONTROLLED DOCUMENT.		DMN: M. SHIRK 16JAN2013	TE Connectivity
DIMENSIONS: mm		CHK: D. SZCZESNY 16JAN2013	
TOLERANCES UNLESS OTHERWISE SPECIFIED:		APVD: -	NAME: CAGE AND CONNECTOR ASSEMBLY, WITH EMI SPRING FINGERS, THRU BEZEL, 2X1, ZQSPF+ STACKED
0 PLC ±0.25	1 PLC ±0.15	PRODUCT SPEC: 108-60102	RESTRICTED TO: -
2 PLC ±0.15	3 PLC ±0.15	APPLICATION SPEC: 114-60015	SIZE: A1
4 PLC ±0.15	ANGLES ±0.15	WEIGHT: -	CAGE CODE: 100779
MATERIAL: SEE NOTE 1	FINISH: -	CUSTOMER DRAWING	SCALE: 4:1
		SHEET 7 OF 8	
		REV F	

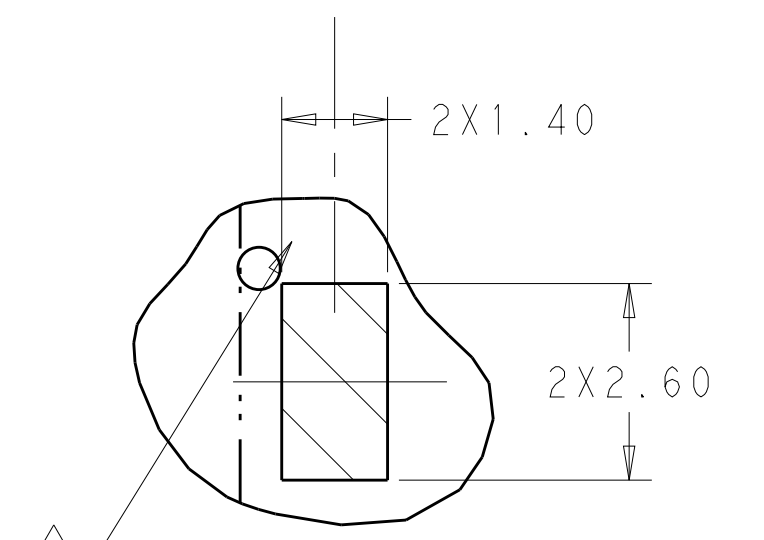
LOC	DIST	REVISIONS					
GP	00	P	LTN	DESCRIPTION	DATE	DWN	APVD
		-		SEE SHEET 1			



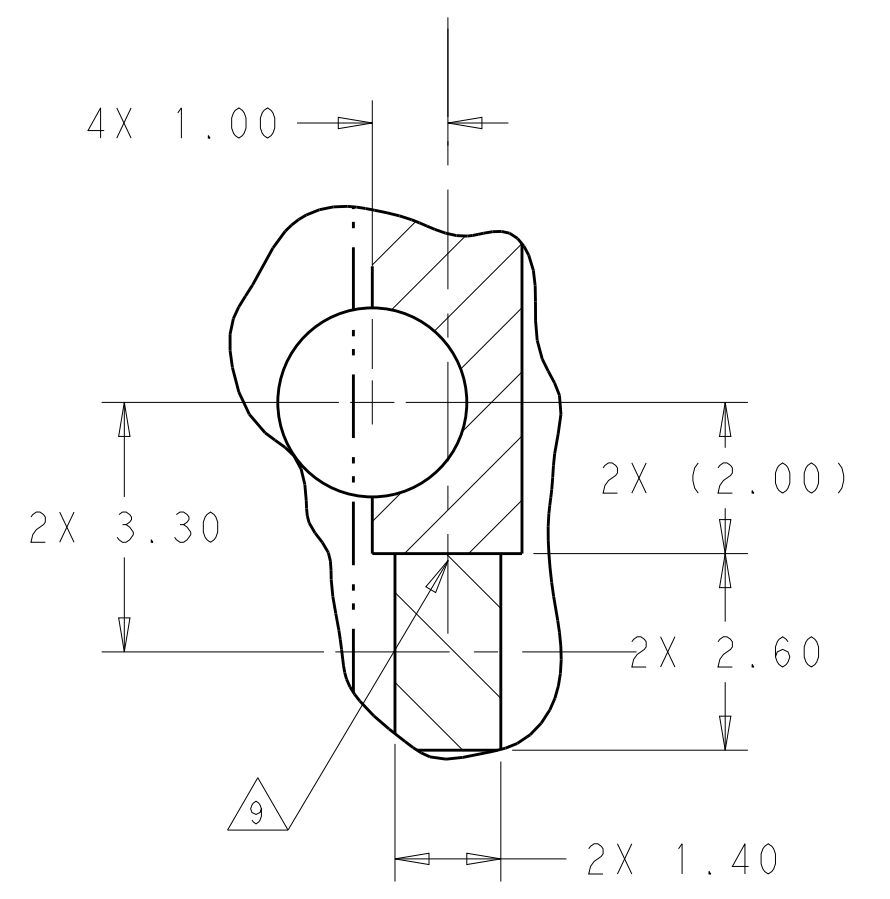
KEEPOUT AREAS FOR 4 LP APPLICATON COMPONENT SIDE OF BOARD
 SCALE 5:1



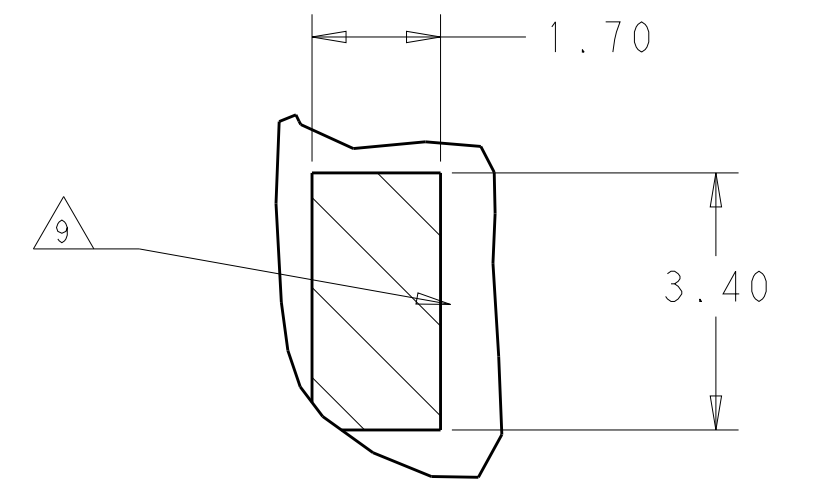
DETAIL H
 SCALE 10:1



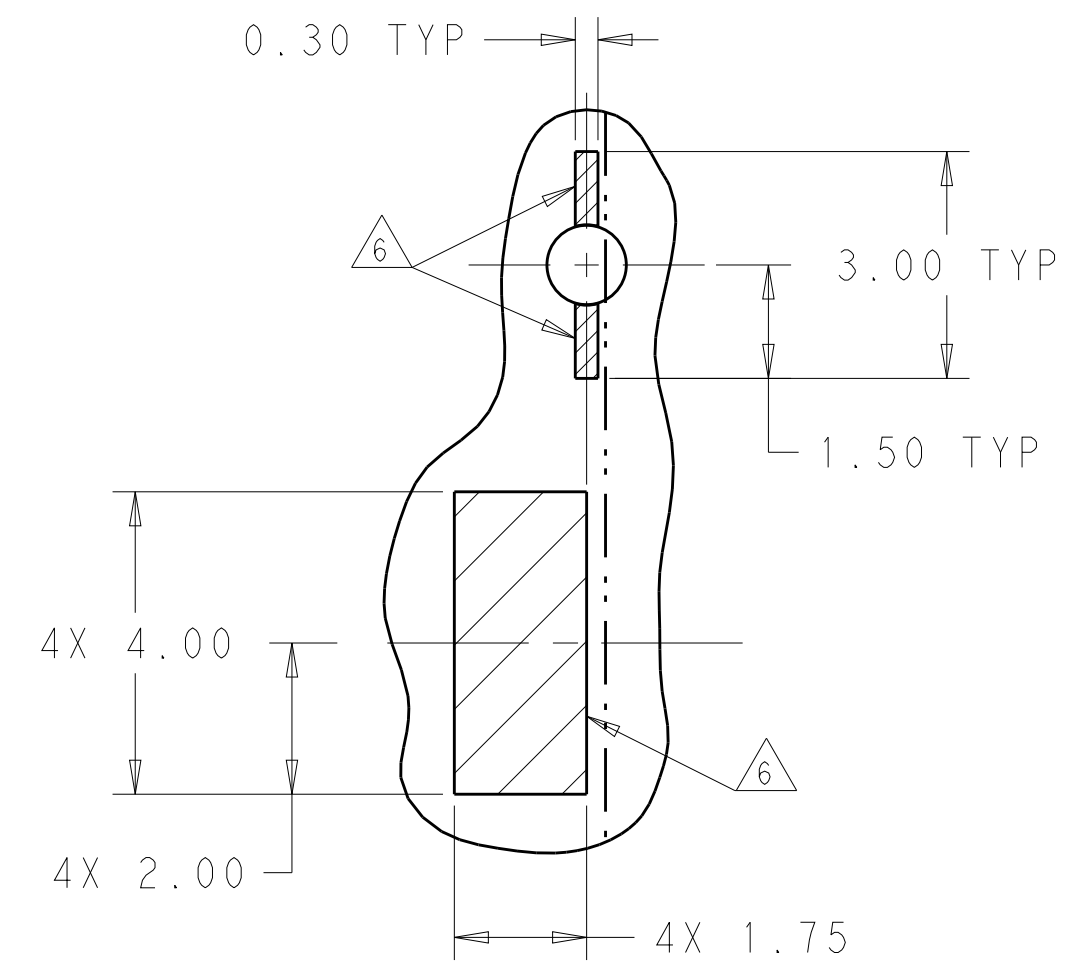
DETAIL A
 SCALE 10:1



DETAIL J
 LED PADS
 SCALE 10:1



DETAIL C
 SCALE 10:1



DETAIL K
 SCALE 10:1

THIS DRAWING IS A CONTROLLED DOCUMENT.		DWN M. SHIRK 16JAN2013	16JAN2013	STE TE Connectivity
DIMENSIONS: mm		CHK D. SZCZESNY 16JAN2013	APVD	
TOLERANCES UNLESS OTHERWISE SPECIFIED:		NAME		CAGE AND CONNECTOR ASSEMBLY, WITH EMI SPRING FINGERS, THRU BEZEL, 2X1, ZQSP+ STACKED
0 PLC ±0.25 1 PLC ±0.15 2 PLC ±0.15 3 PLC ±0.15 4 PLC ±0.15 ANGLES ±0.15		PRODUCT SPEC 108-60102		
MATERIAL SEE NOTE 1		APPLICATION SPEC 114-60015		RESTRICTED TO
		WEIGHT		A100779C=2227669
		CUSTOMER DRAWING		SCALE 1:1 SHEET 8 OF 8 REV F

X-ON Electronics

Largest Supplier of Electrical and Electronic Components

Click to view similar products for [Fibre Optic Connectors](#) category:

Click to view products by [TE Connectivity](#) manufacturer:

Other Similar products are found below :

[0004700001](#) [6100-R](#) [6313](#) [F709034706](#) [F709722200](#) [F709730000](#) [F718183204](#) [F727403500](#) [F727752800](#) [8119](#) [9440F20-27S-190](#) [944-120-6001](#) [9441F10SL-3S](#) [9444W28-21S](#) [9444W36-10S](#) [9446F10SL-4S](#) [9446W20-16S](#) [953-101-5310-P](#) [954-101-57202B](#) [A0270169](#) [12-9122](#) [12-5702](#) [AX101713](#) [AX102420](#) [AX103923](#) [AX104024](#) [AX104193](#) [AX104230](#) [AX104562](#) [AX105203-B25](#) [AX105205-S1](#) [EHSC2M](#) [181-011-126](#) [181-011-S](#) [181-057-126](#) [HRFC-R2\(40\)](#) [NKSOPBUY](#) [20500002116](#) [2064996-1](#) [20800001065](#) [2170](#) [9132](#) [2612](#) [2620](#) [9291](#) [9440F16-10S](#) [9440F20-18S](#) [9446F16-10S-190](#) [953-106-50231](#) [953-120-5003](#)