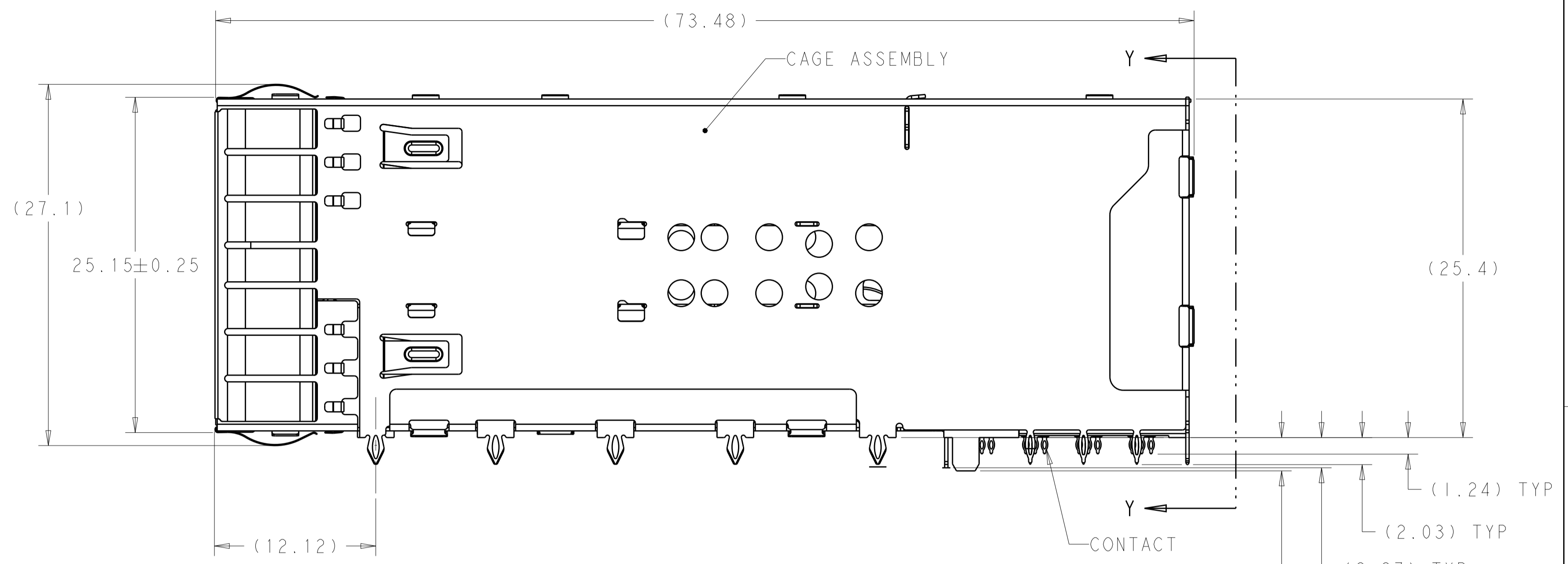
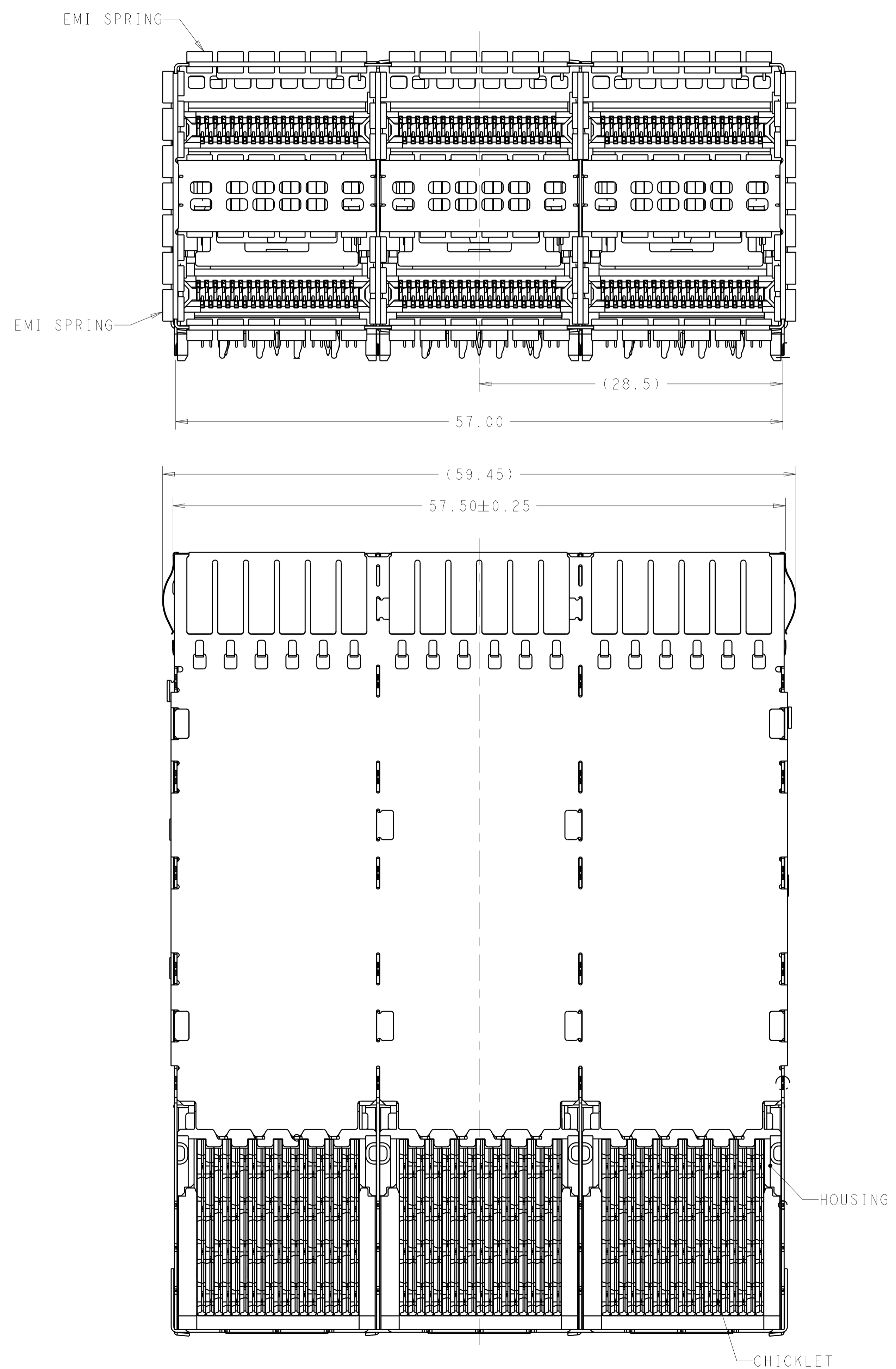


LOC		DIST		REVISIONS			
P	LTN	DESCRIPTION	DATE	DMN	APVD		
A		RELEASED FOR PRODUCTION	03MAR2016	TX	SH		



- MATERIALS:
 CAGE ASSEMBLY- NICKEL SILVER ALLOY PER ASTM B 122.
 EMI SPRING- COPPER ALLOY, NICKEL PLATED.
 HOUSING- POLYESTER LCP WITH 94 V-0
 CHICKLET- POLYESTER LCP WITH 94 V-0
 CONTACT- COPPER ALLOY.
 LIGHTPIPE- POLYCARBONATE
- CONTACT FINISH: 0.76µm GOLD ON MATING END, 1.25µm TIN ON SOLDER TAIL, ALL OVER 1.27µm NICKEL.
- DATUM AND BASIC DIMENSION ESTABLISHED BY CUSTOMER.
- MINIMUM PCB THICKNESS OF 1.57.
- THE ENTIRE AREA OF THE CONNECTOR FOOTPRINT, INDICATED BY THE DASHED LINE, TO BE CONSIDERED THE KEEPOUT AREA FOR COMPONENTS.
- CROSS-HATCHED AREAS REPRESENT ZONES ON THE PCB THAT COME IN CONTACT WITH OR BE IN CLOSE PROXIMITY TO THE PLASTIC HOUSING OR THE CONNECTOR CAGE. INDICATED AREAS TO BE CONSIDERED TRACE FREE.
- PART NUMBER AND DATE CODE MADE IN APPROXIMATE AREA SHOWN.
- CONTACT FINISH: 0.08µm MINIMUM GOLD OVER 0.68µm PALLADIUM-NICKEL ON MATING END, 1.25µm TIN ON SOLDER TAIL, ALL OVER 1.27µm NICKEL.
- REMOVE THE PCB HOLES FOR 1-2227671-0 FOR BELLY TO BELLY APPLICATION
- HATCHED AREA IS PLACEMENT ZONE FOR LED. LED SHOULD BE CENTERED WITHIN ZONE. RECOMMEND 0805 PACKAGE

CONTACT FINISH	DESCRIPTION	PART NUMBER
2	ALL INDICATOR DOWN, 4 LP	1-2227671-2
2	DUAL LEFT INDICATOR UP, 4 LP	1-2227671-1
2	LEFT INDICATOR UP, 2 LP	1-2227671-0
2	LEFT INDICATOR DOWN, 4 LP	2227671-9
2	LEFT INDICATOR UP, 4 LP	2227671-8
2	ALL INDICATOR UP, 4 LP	2227671-7
8	LEFT INDICATOR DOWN	2227671-6
8	LEFT INDICATOR UP	2227671-5
8	NO LIGHTPIPE	2227671-4
2	LEFT INDICATOR DOWN	2227671-3
2	LEFT INDICATOR UP	2227671-2
2	NO LIGHTPIPE	2227671-1

THIS DRAWING IS A CONTROLLED DOCUMENT. DWN: M_SHIRK 18JAN2013
 CHK: D_SZCZESNY 18JAN2013

TE Connectivity

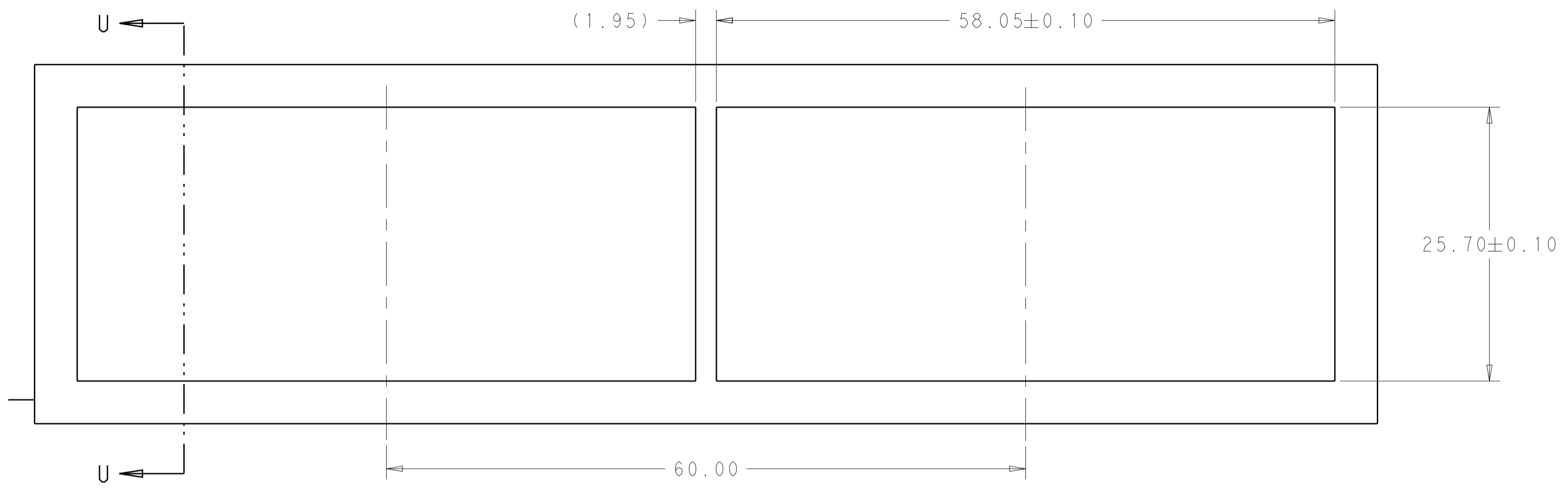
NAME: CAGE AND CONNECTOR ASSEMBLY, WITH EMI SPRING, THRU BEZEL, 2X3, ZQSFP+ STACKED

PRODUCT SPEC: 108-60102
 APPLICATION SPEC: 114-60015

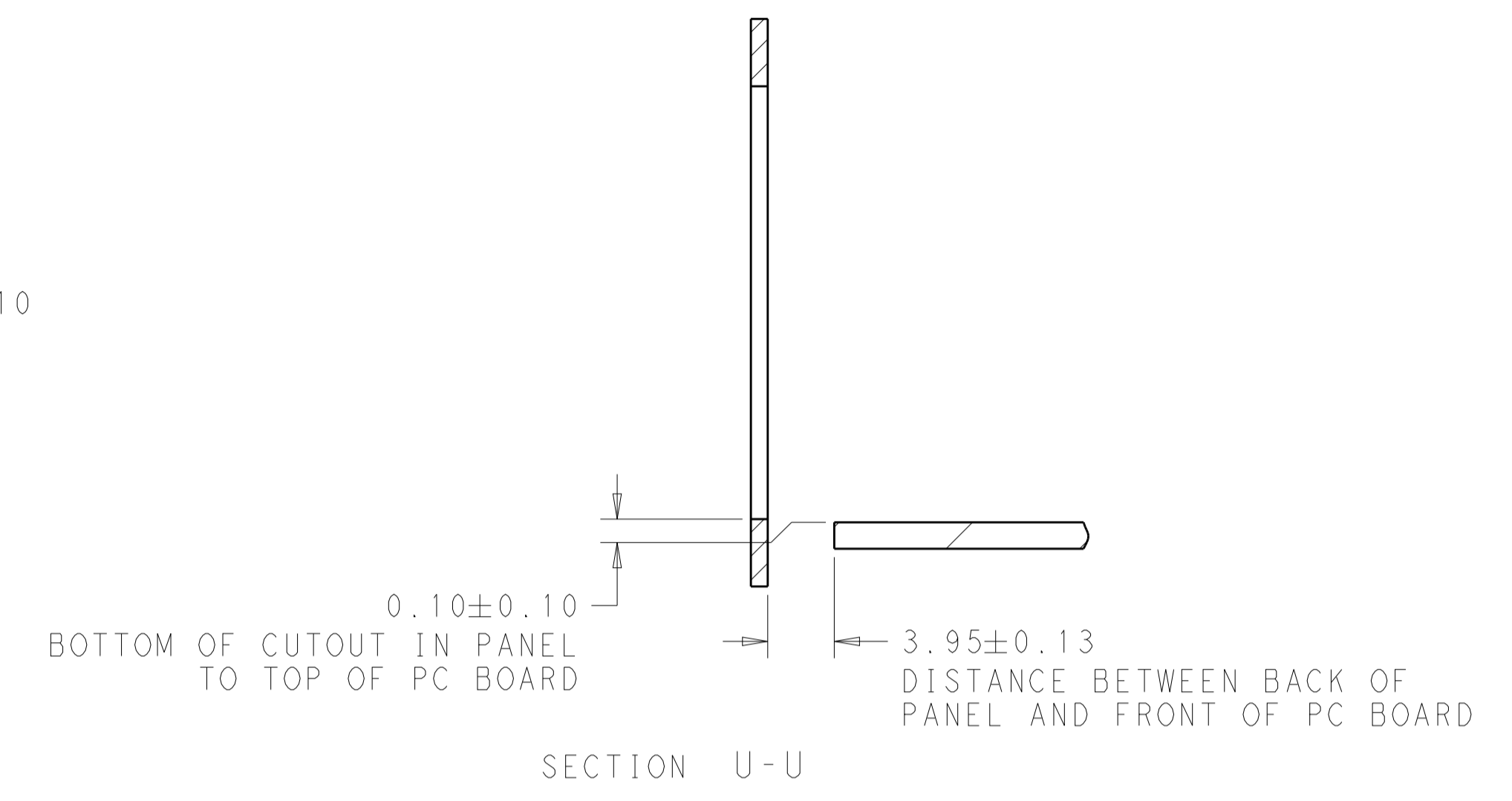
SIZE: A1
 CAGE CODE: 00779
 DRAWING NO: 2227671

SCALE: 4:1 SHEET 1 OF 6 REV A

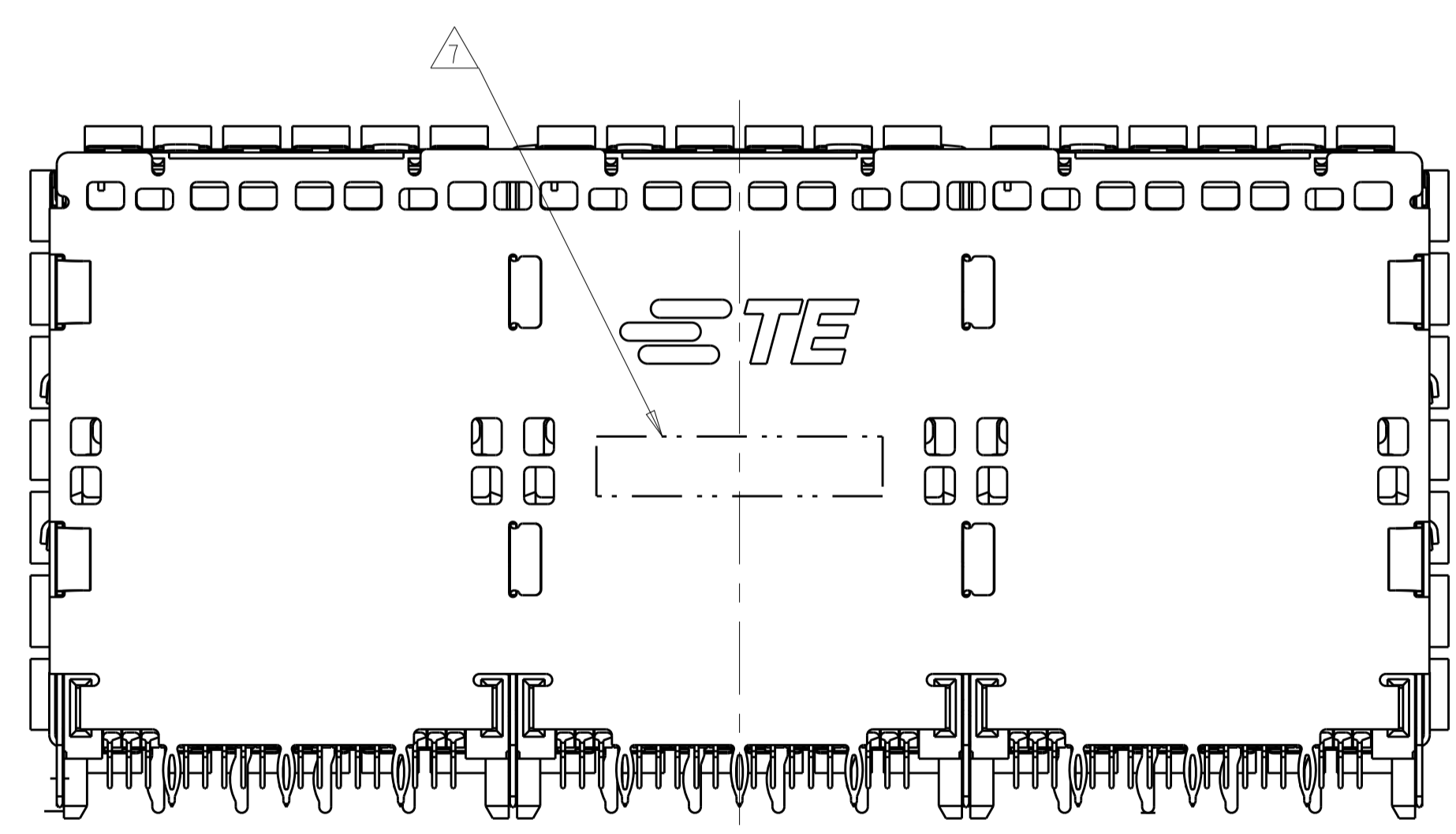
LOC		DIST		REVISIONS			
P	LTN	DESCRIPTION	DATE	DWN	APVD		
-	-	SEE SHEET 1	-	-	-		



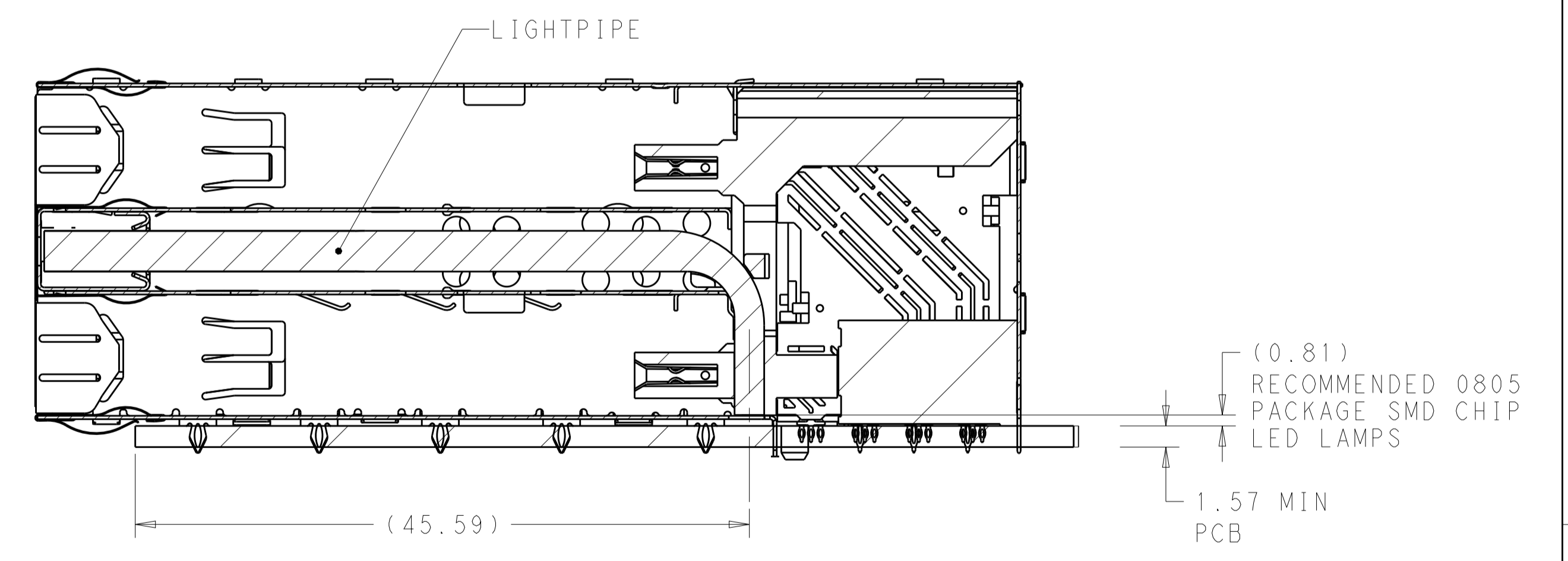
RECOMMENDED PANEL CUTOUT
 AND PC BOARD, PANEL POSITION
 SCALE 3:1



SECTION U-U



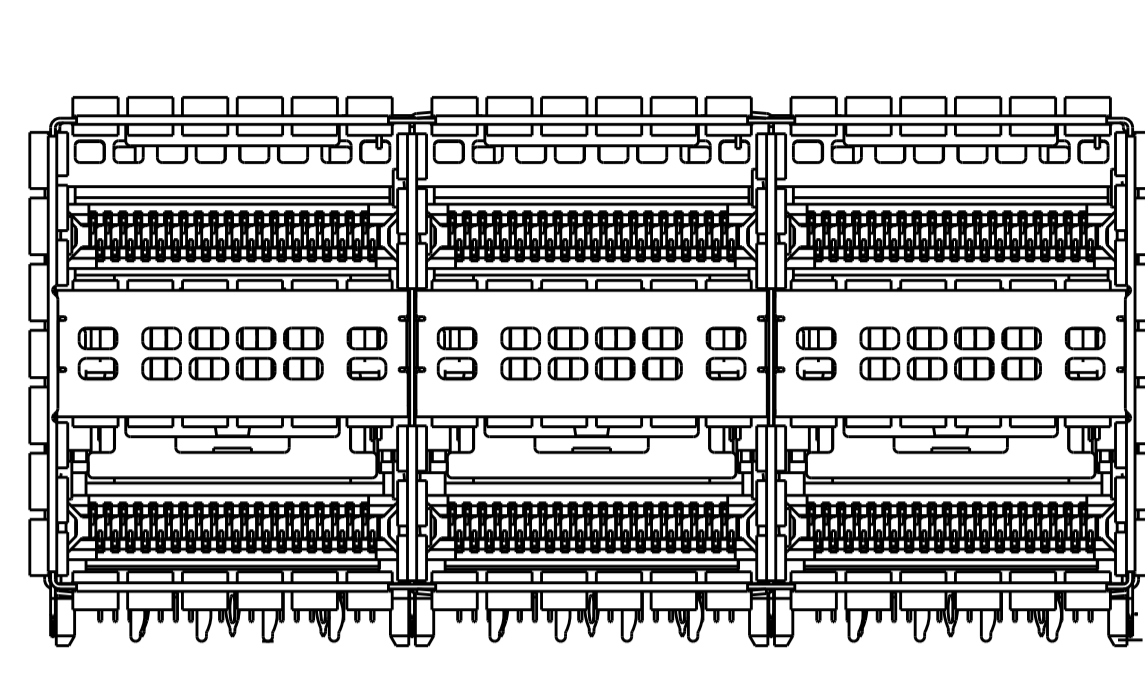
VIEW Y-Y



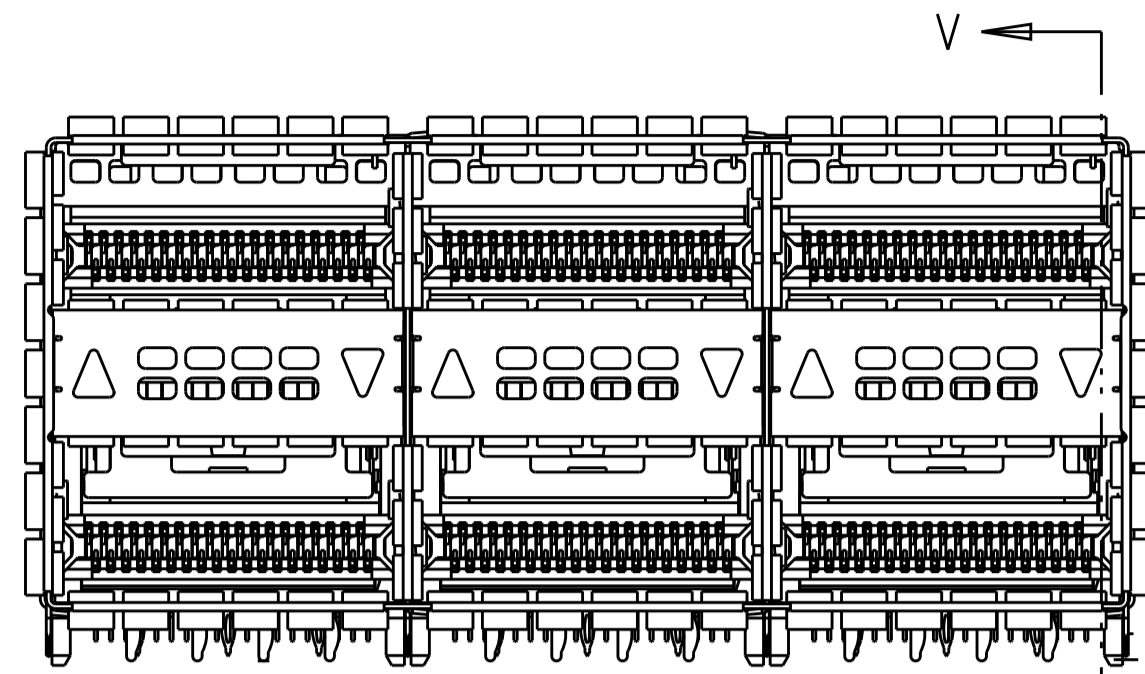
SECTION V-V
 SCALE 3:1

THIS DRAWING IS A CONTROLLED DOCUMENT.		DWN M. SHIRK 18JAN2013	18JAN2013		STE TE Connectivity
DIMENSIONS: mm		CHK D. SZCZESNY	APVD		
TOLERANCES UNLESS OTHERWISE SPECIFIED:		PRODUCT SPEC		NAME	
0 PLC ±		108-60102		CAGE AND CONNECTOR ASSEMBLY, WITH EMI SPRING, THRU BEZEL, 2X3, ZQSFP+ STACKED	
1 PLC ±0.25		APPLICATION SPEC		SIZE	
2 PLC ±0.15		114-60015		CAGE CODE DRAWING NO	
3 PLC ±		WEIGHT		RESTRICTED TO	
4 PLC ±		CUSTOMER DRAWING		A100779C=2227671	
ANGLES ±		SCALE 4:1		SHEET 1 OF 6	
FINISH		REV A			
SEE NOTE 1		SEE NOTE 2			

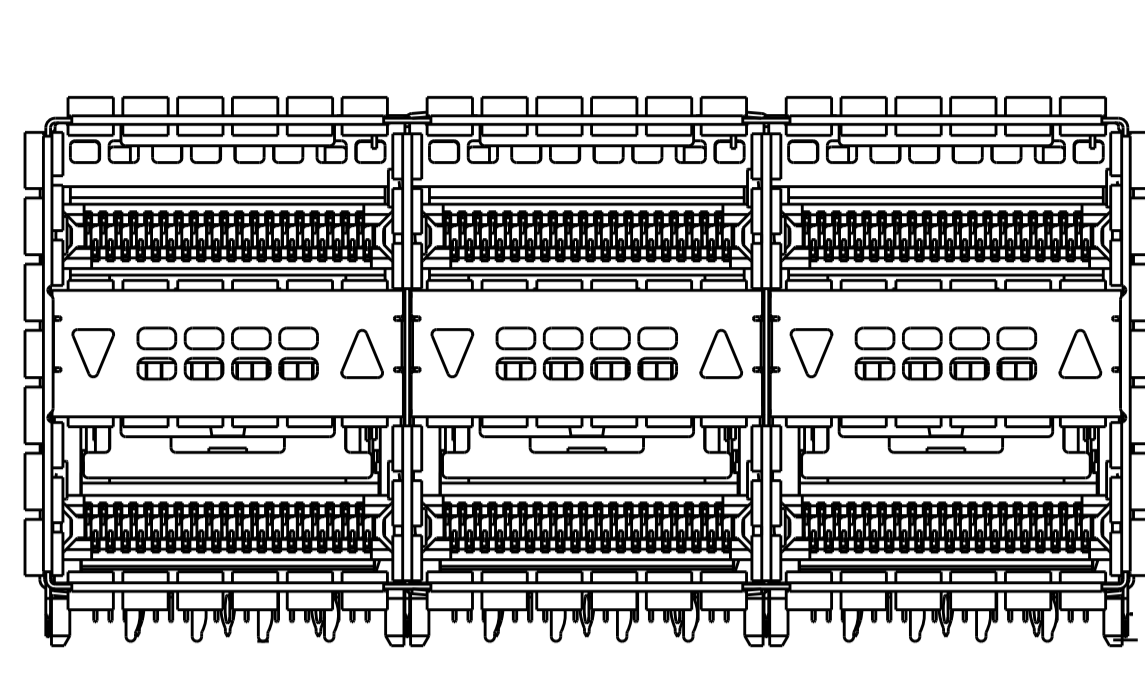
LOC		DIST		REVISIONS			
P	LTN	DESCRIPTION	DATE	OWN	APVD		
-	-	SEE SHEET 1	-	-	-		



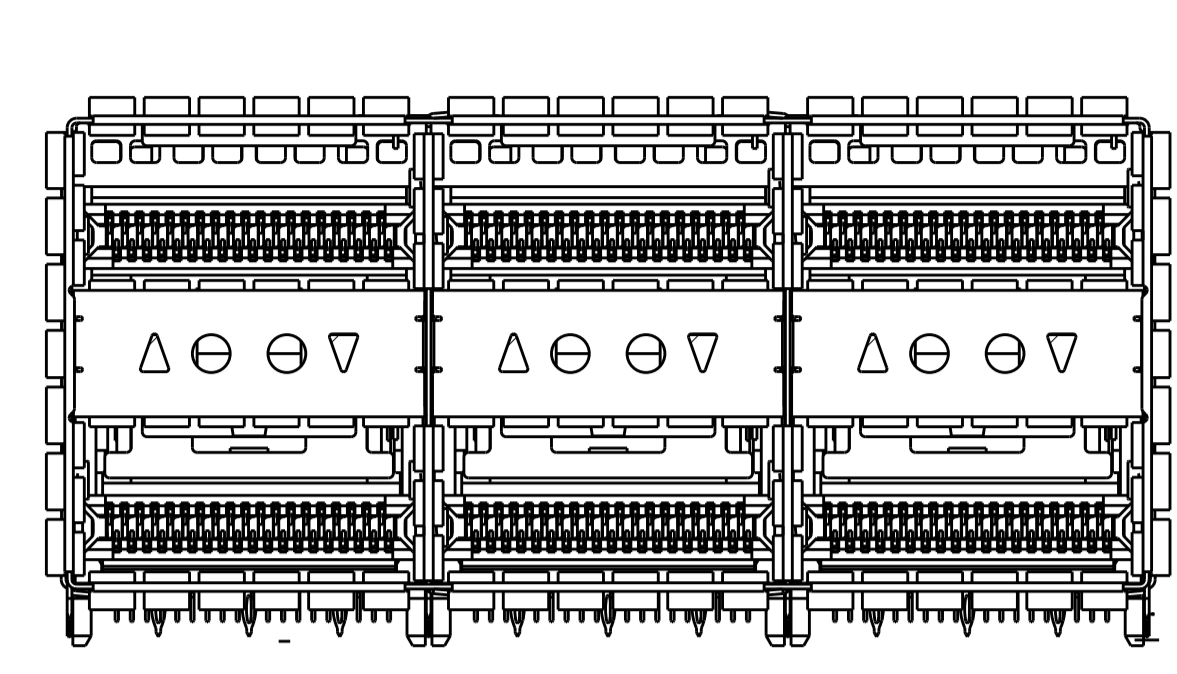
2227671-1/4
NO LIGHTPIPE IN ASSEMBLY
SCALE 5:2



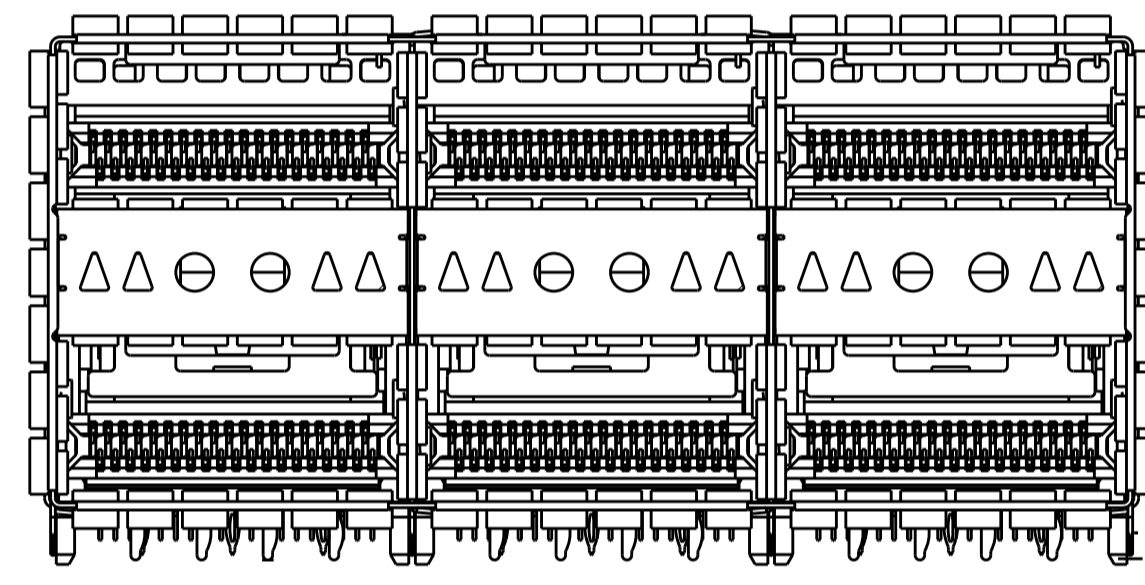
2227671-2/5
LEFT LIGHTPIPE INDICATOR
POINTING TO UPPER PORT
SCALE 5:2



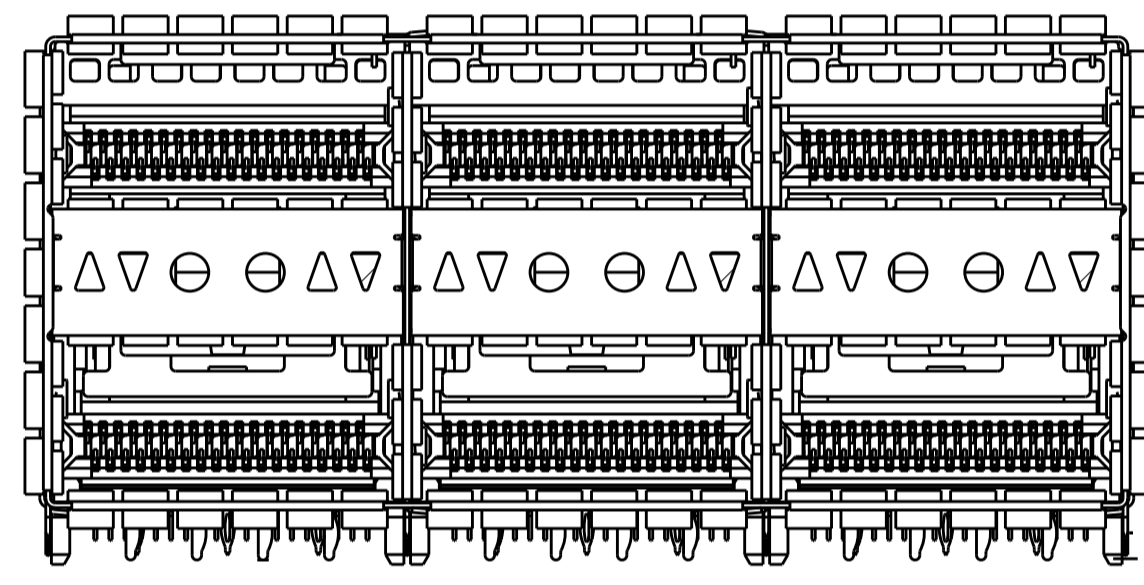
2227671-3/6
LEFT LIGHTPIPE INDICATOR
POINTING TO LOWER PORT
SCALE 5:2



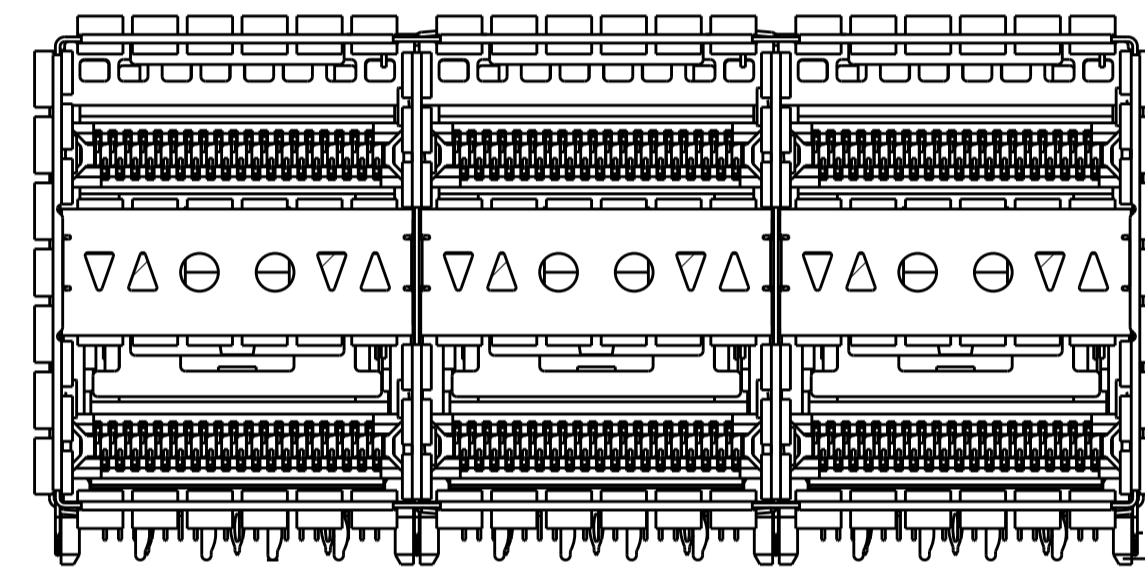
1-2227671-0
LEFT INDICATOR UP, 2LP
SCALE 5:2



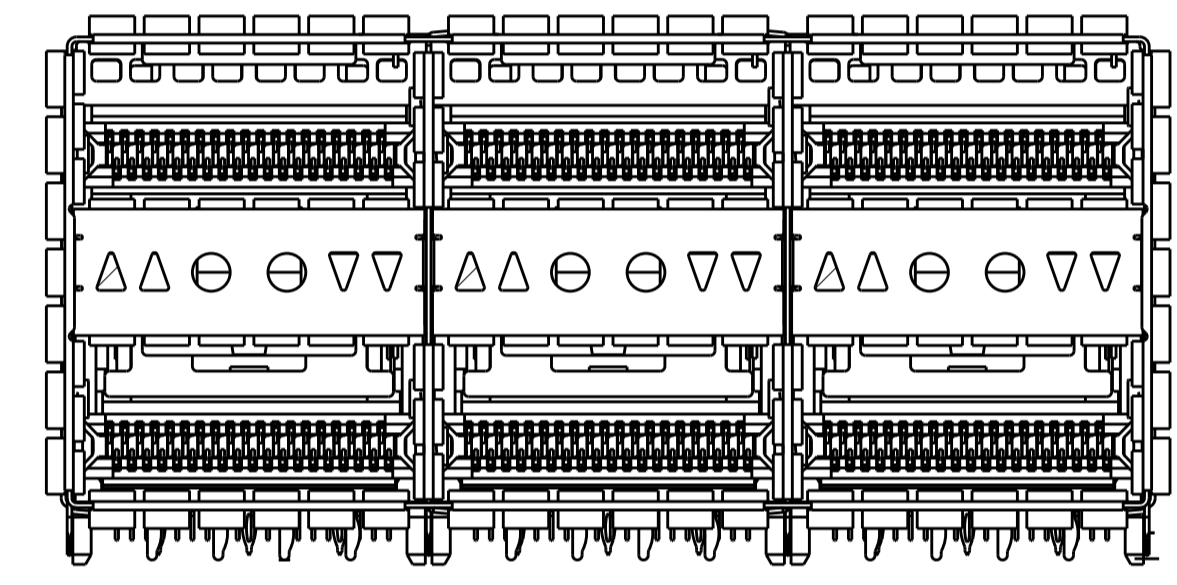
2227671-7
ALL INDICATOR UP, 4LP
SCALE 5:2



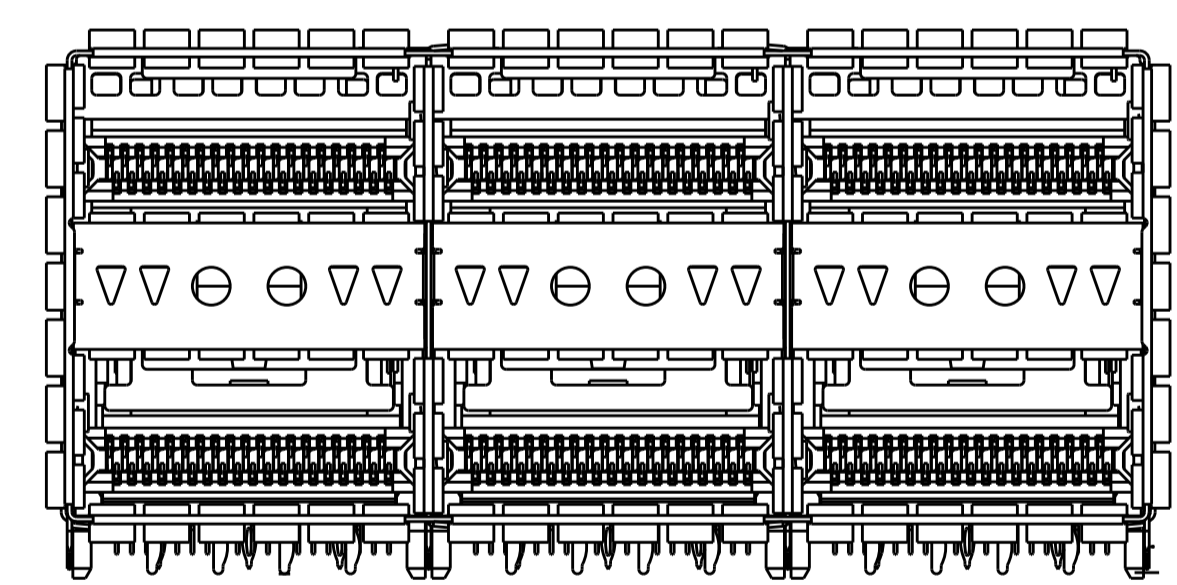
2227671-8
LEFT INDICATOR UP, 4LP
SCALE 5:2



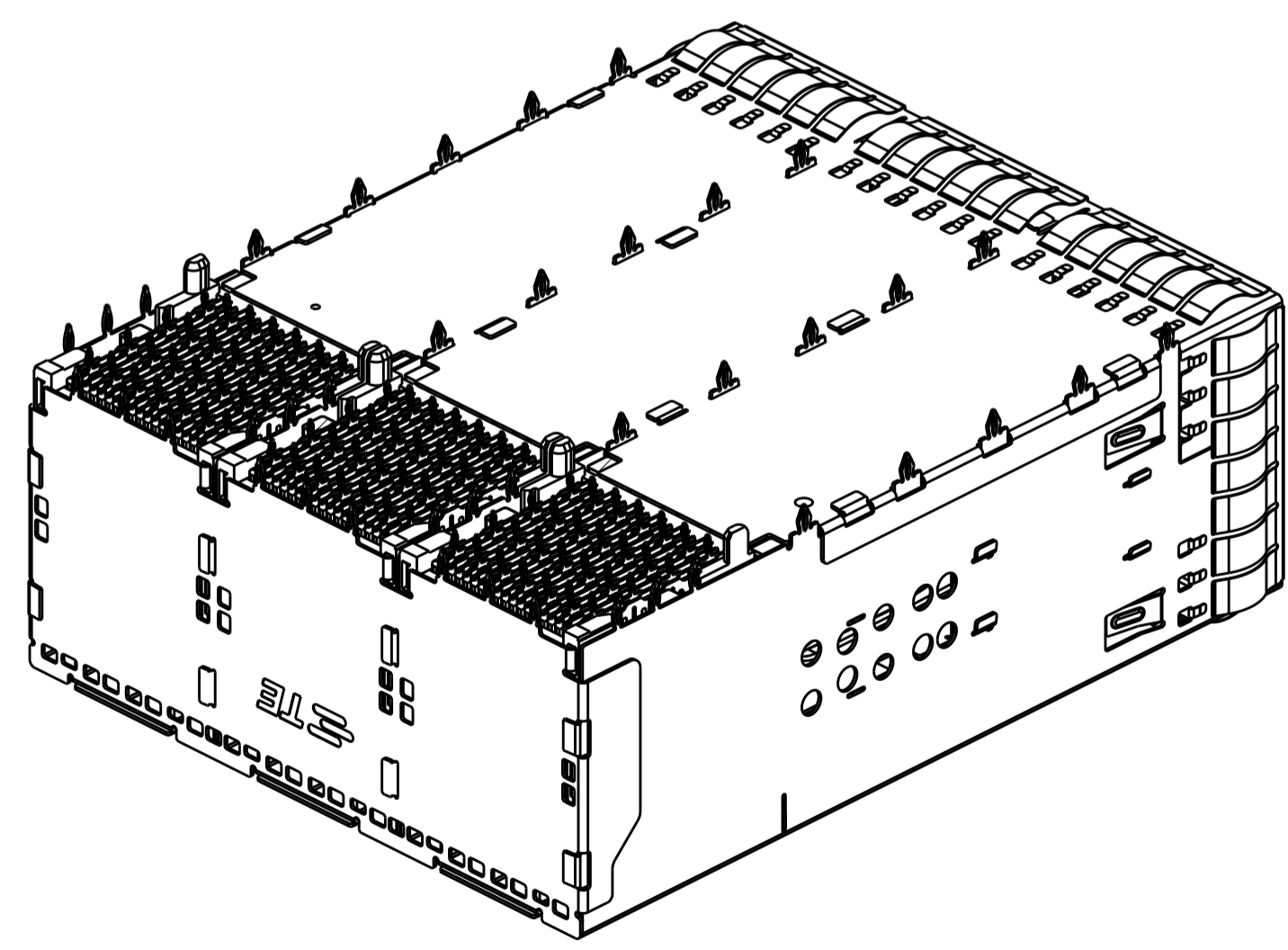
2227671-9
LEFT INDICATOR DOWN, 4LP
SCALE 5:2



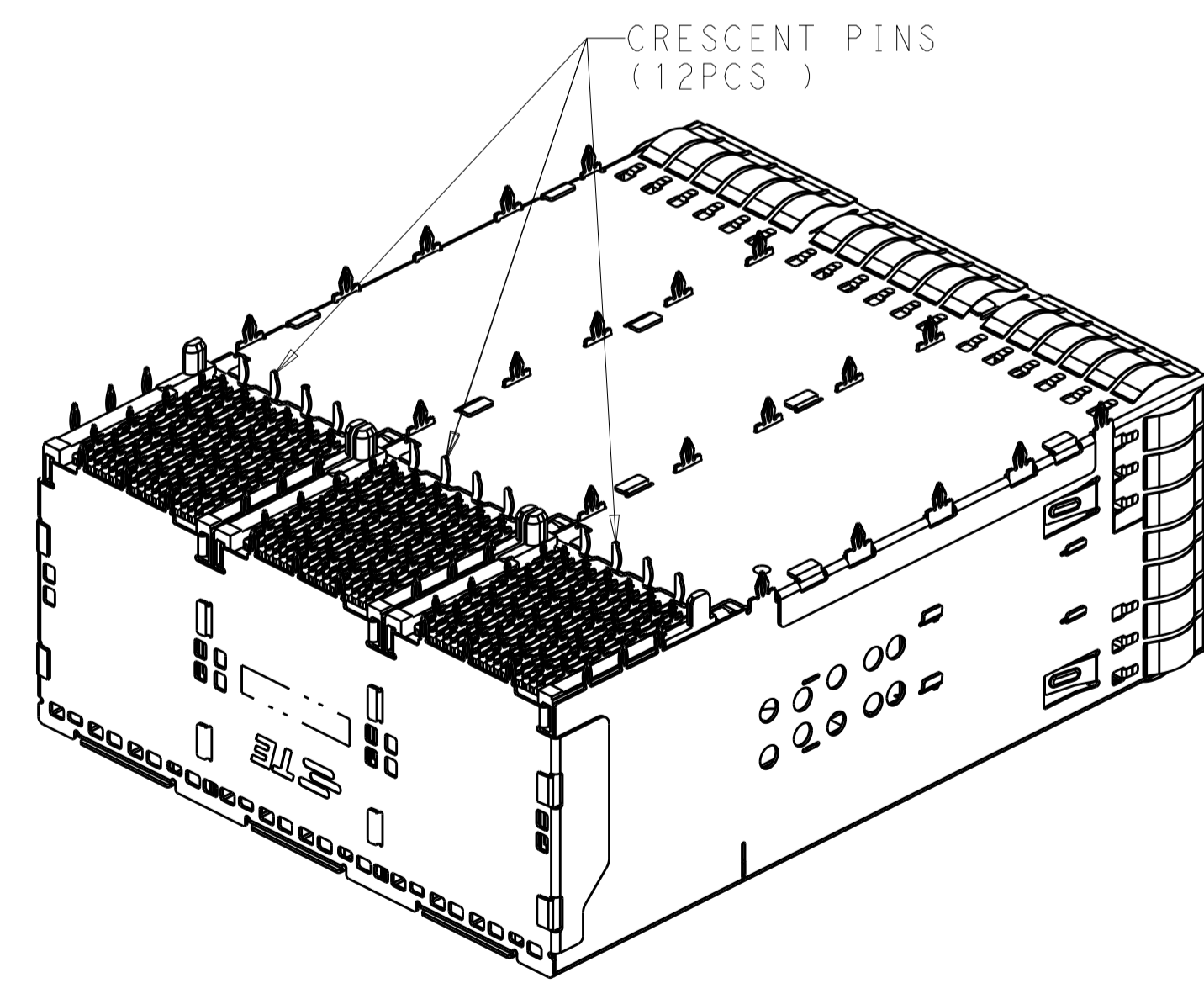
1-2227671-1
DUAL LEFT INDICATOR UP, 4 LP
SCALE 5:2



1-2227671-2
ALL INDICATOR DOWN, 4 LP
SCALE 5:2



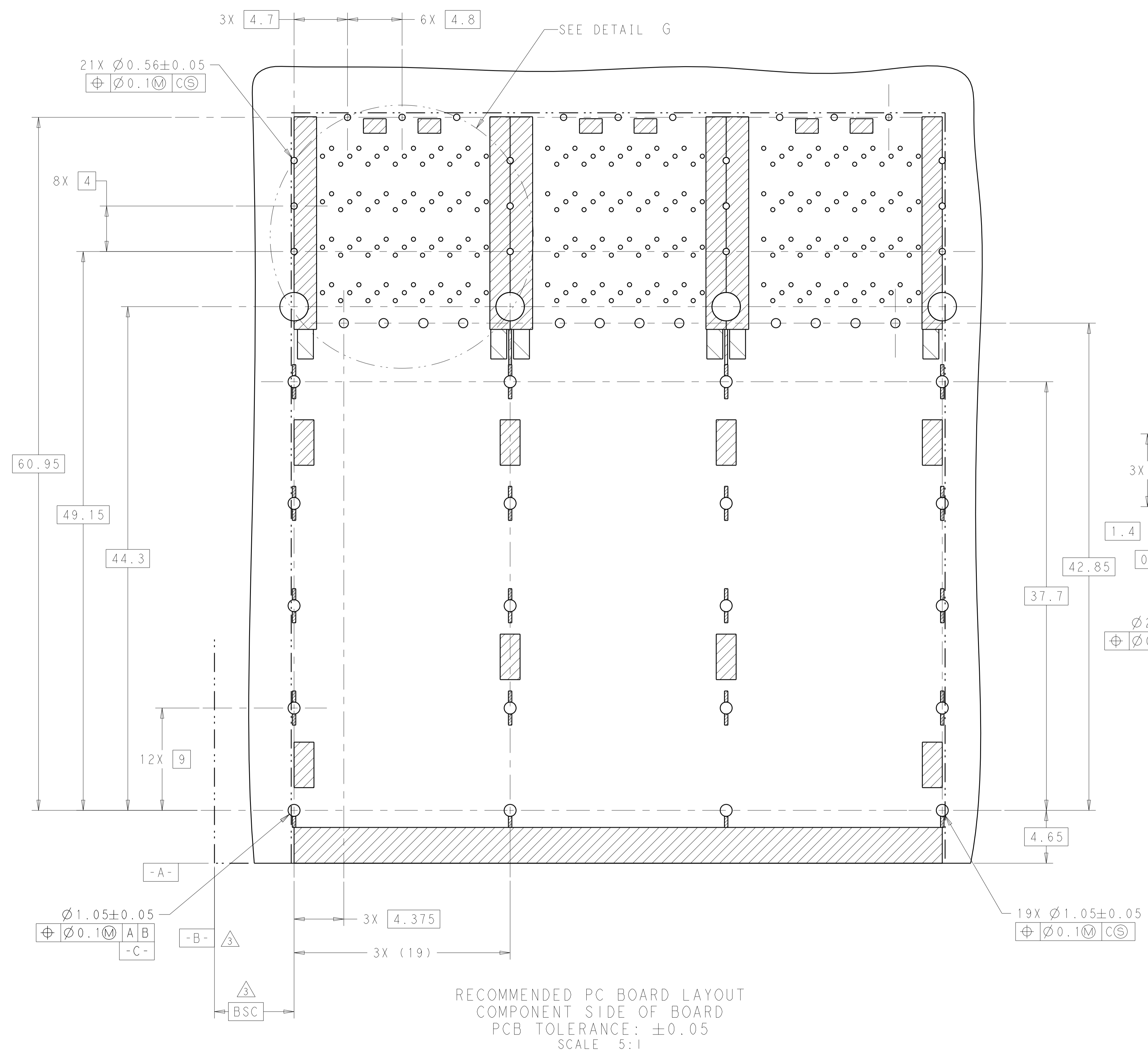
ONLY 1-2227671-0 AS SHOWN WITHOUT CRESCENT PINS
SCALE 2:1



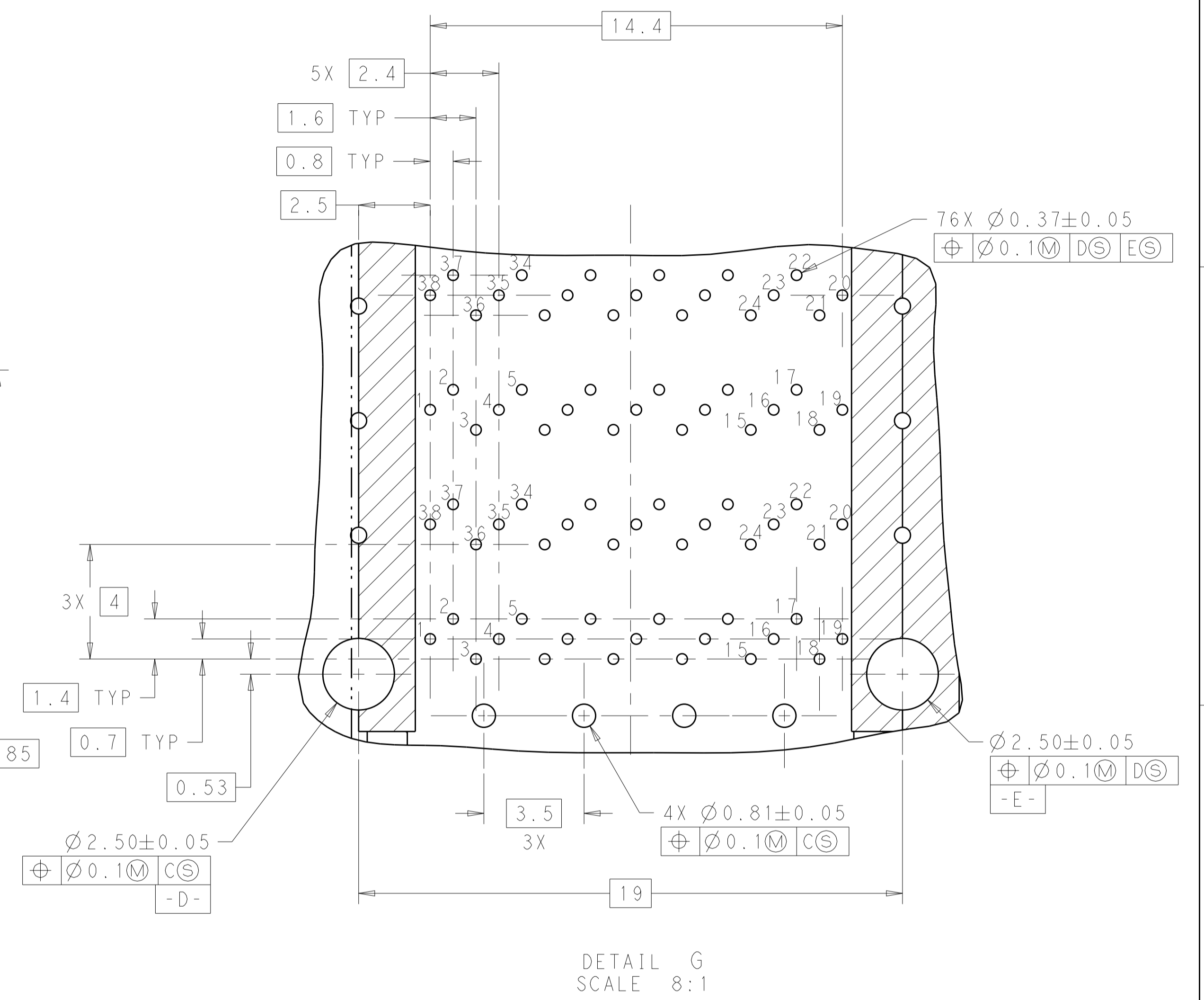
2227671-1 TO 2227671-9, 1-2227671-1
AND 1-2227671-2 AS SHOWN WITH CRESCENT PINS
SCALE 2:1

THIS DRAWING IS A CONTROLLED DOCUMENT.		OWN: M. SHIRK 18JAN2013	TE Connectivity NAME: CAGE AND CONNECTOR ASSEMBLY, WITH EMI SPRING, THRU BEZEL, 2X3, ZQSFP+ STACKED
DIMENSIONS: mm		CHK: D. SZCZESNY 18JAN2013	
TOLERANCES UNLESS OTHERWISE SPECIFIED:		APVD:	PRODUCT SPEC: 108-60102
0 PLC ± 1 PLC ±0.25 2 PLC ±0.15 3 PLC ± 4 PLC ± ANGLES ± FINISH ±		APPLICATION SPEC: 114-60015	SIZE: A1
MATERIAL: SEE NOTE 1		WEIGHT: SEE NOTE 2	RESTRICTED TO: CUSTOMER DRAWING
		SCALE: 4:1	SHEET 1 OF 6 REV A

LOC	DIST	REVISIONS			
P.	LTH	DESCRIPTION	DATE	OWN	APVD
-	-	SEE SHEET 1	-	-	-

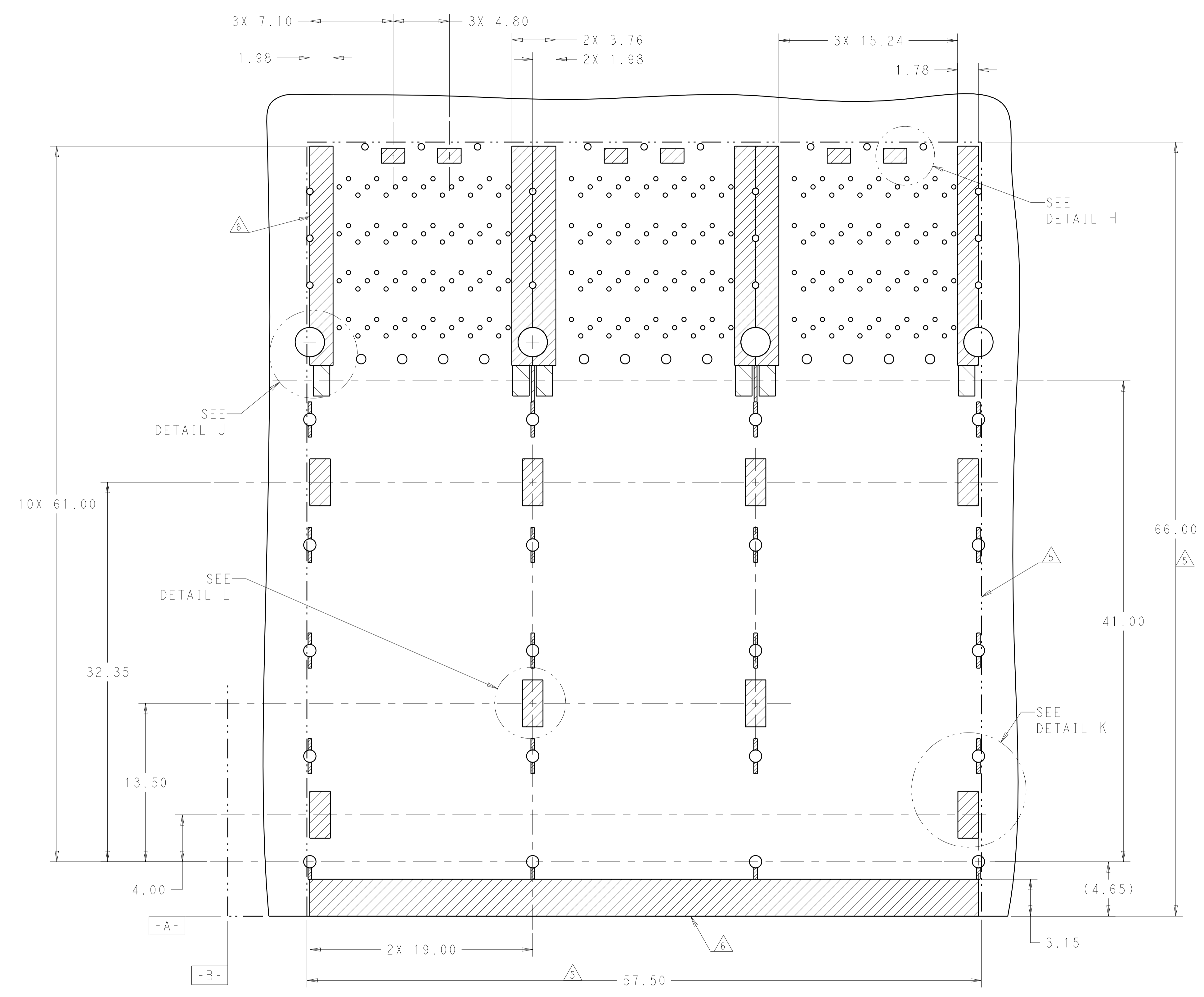


RECOMMENDED PCB BOARD LAYOUT
 COMPONENT SIDE OF BOARD
 PCB TOLERANCE: ±0.05
 SCALE 5:1

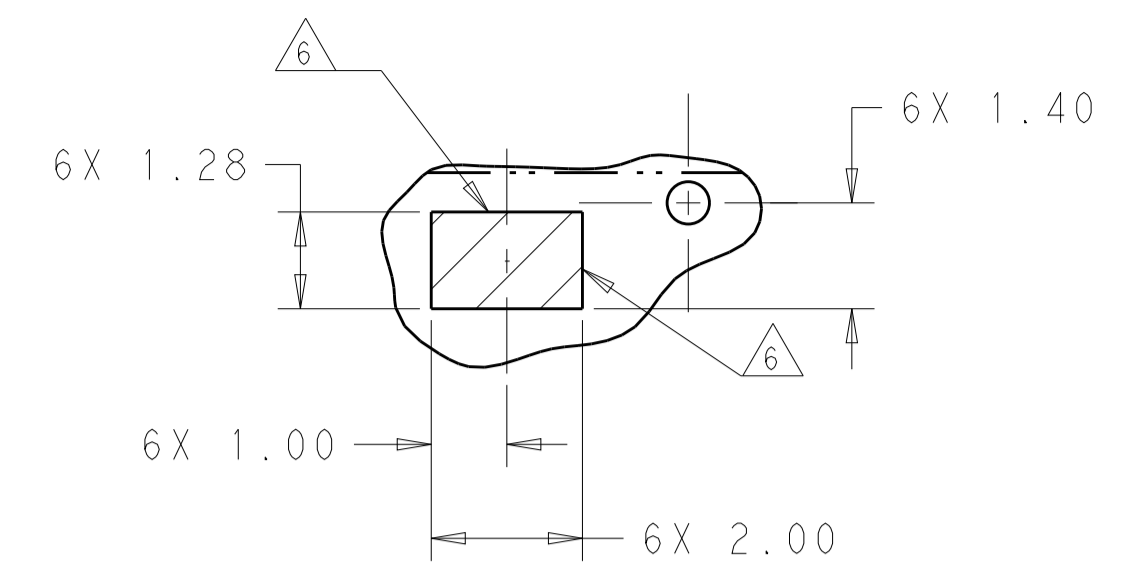


THIS DRAWING IS A CONTROLLED DOCUMENT.		OWN: M. SHIRK 18JAN2013	TE Connectivity
DIMENSIONS: mm		CHK: D. SZCZESNY 18JAN2013	
TOLERANCES UNLESS OTHERWISE SPECIFIED:		APVD: -	NAME: CAGE AND CONNECTOR ASSEMBLY, WITH EMI SPRING, THRU BEZEL, 2X3, ZQSFP+ STACKED
0 PLC \pm	1 PLC ±0.25	PRODUCT SPEC: 108-60102	SIZE: 114-60015
2 PLC ±0.15	3 PLC \pm	APPLICATION SPEC: -	WEIGHT: -
4 PLC \pm	ANGLES \pm	FINISH: -	CUSTOMER DRAWING
MATERIAL: SEE NOTE 1	FINISH: SEE NOTE 2	REVISIONS: A100779C=2227671	SCALE: 4:1 SHEET 1 OF 6 REV A

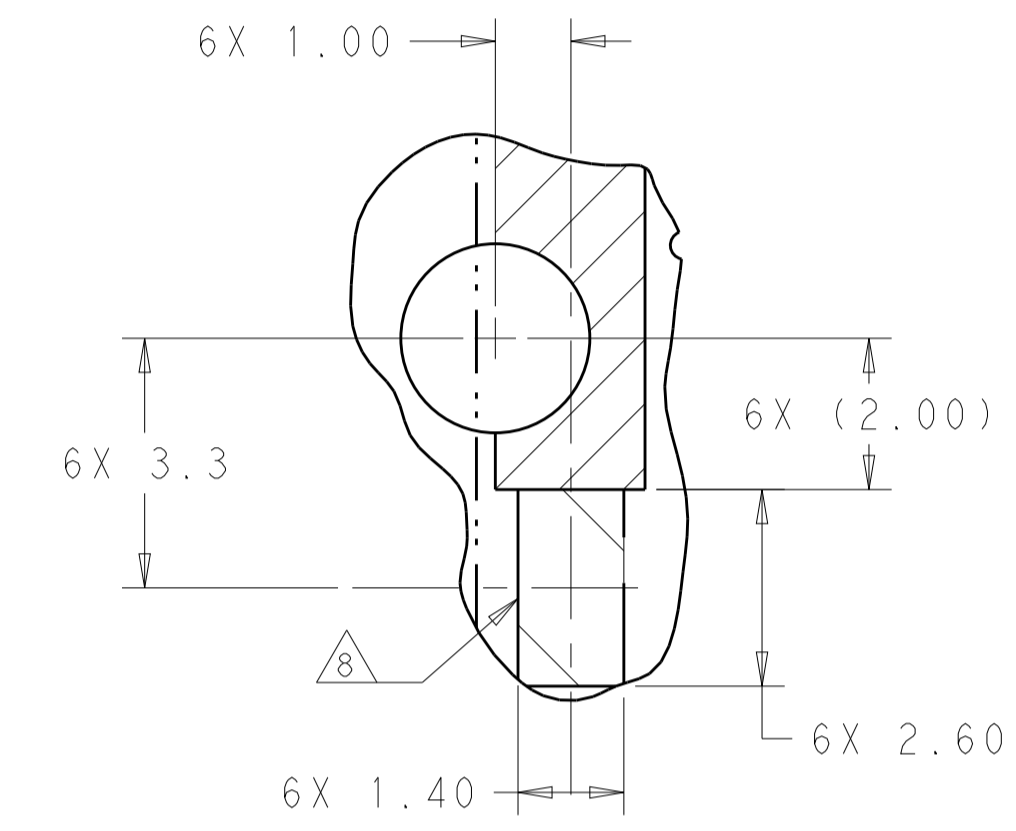
LOC		DIST		REVISIONS			
P.	LTN.	DESCRIPTION	DATE	DMN	APVD		
-	-	SEE SHEET 1	-	-	-		



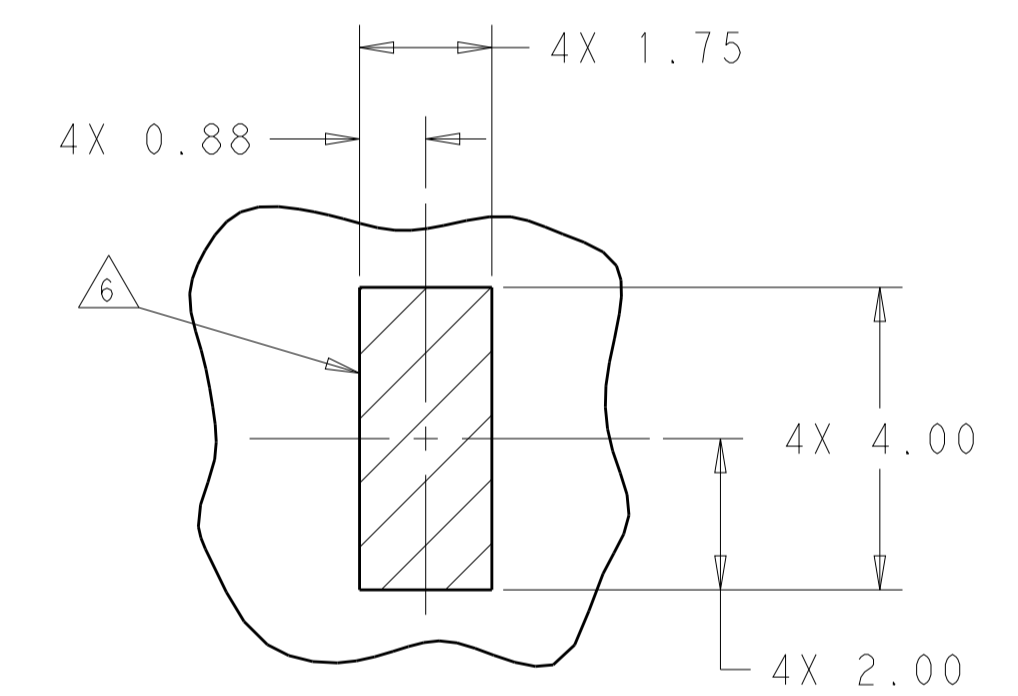
KEEPOUT AREAS COMPONENT
 SIDE OF BOARD FOR 2 LP
 SCALE 5:1



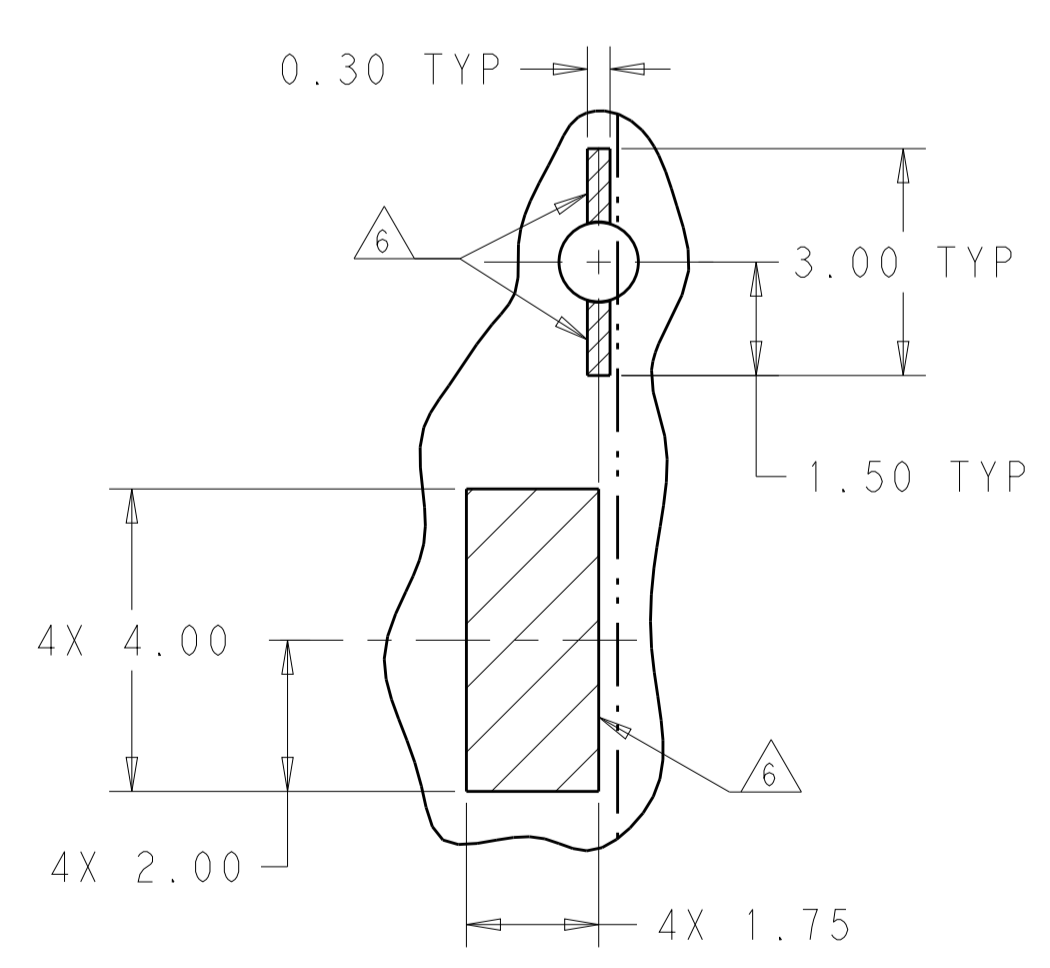
DETAIL H
 SCALE 10:1



DETAIL J
 LED PADS
 SCALE 10:1



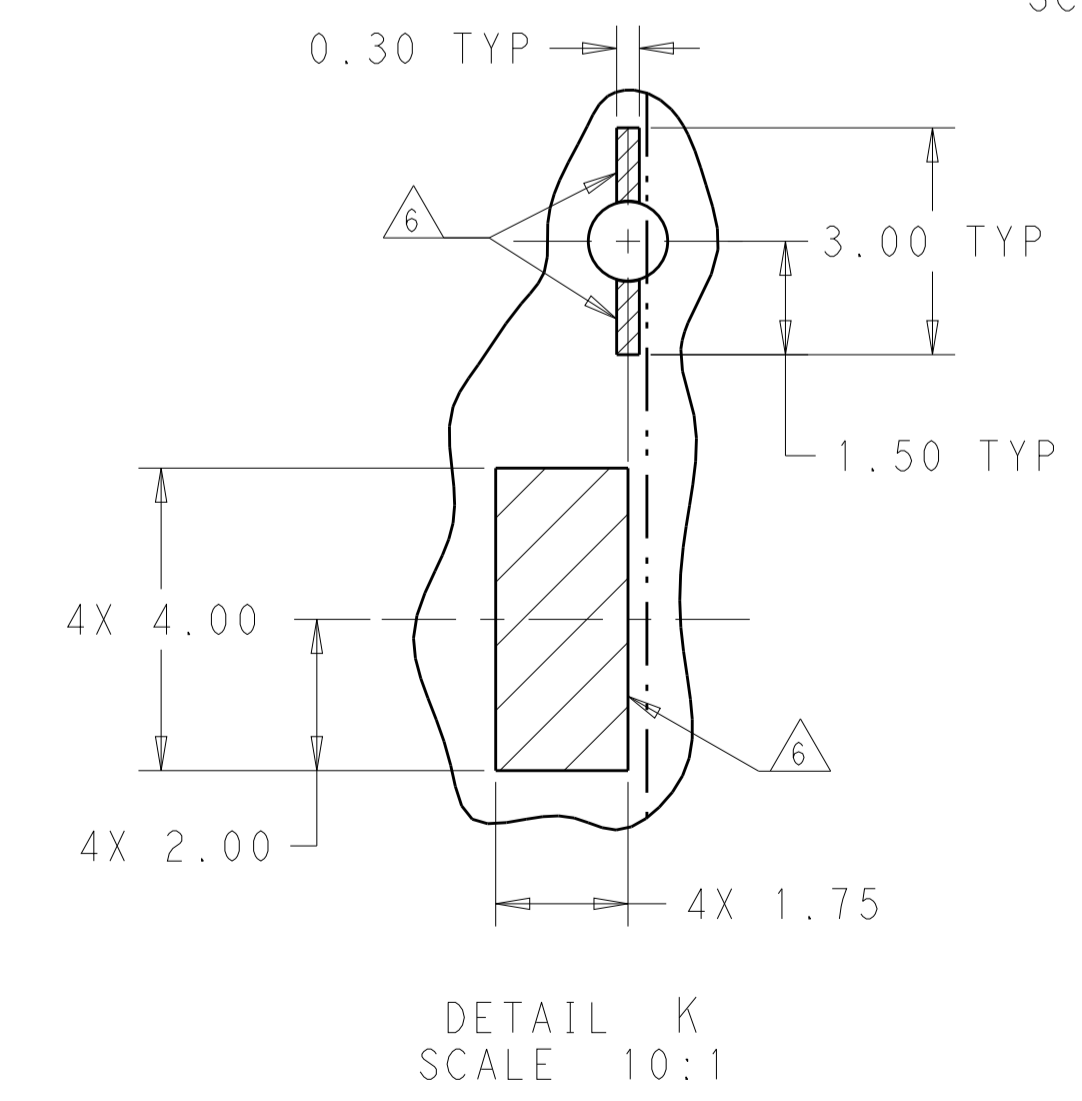
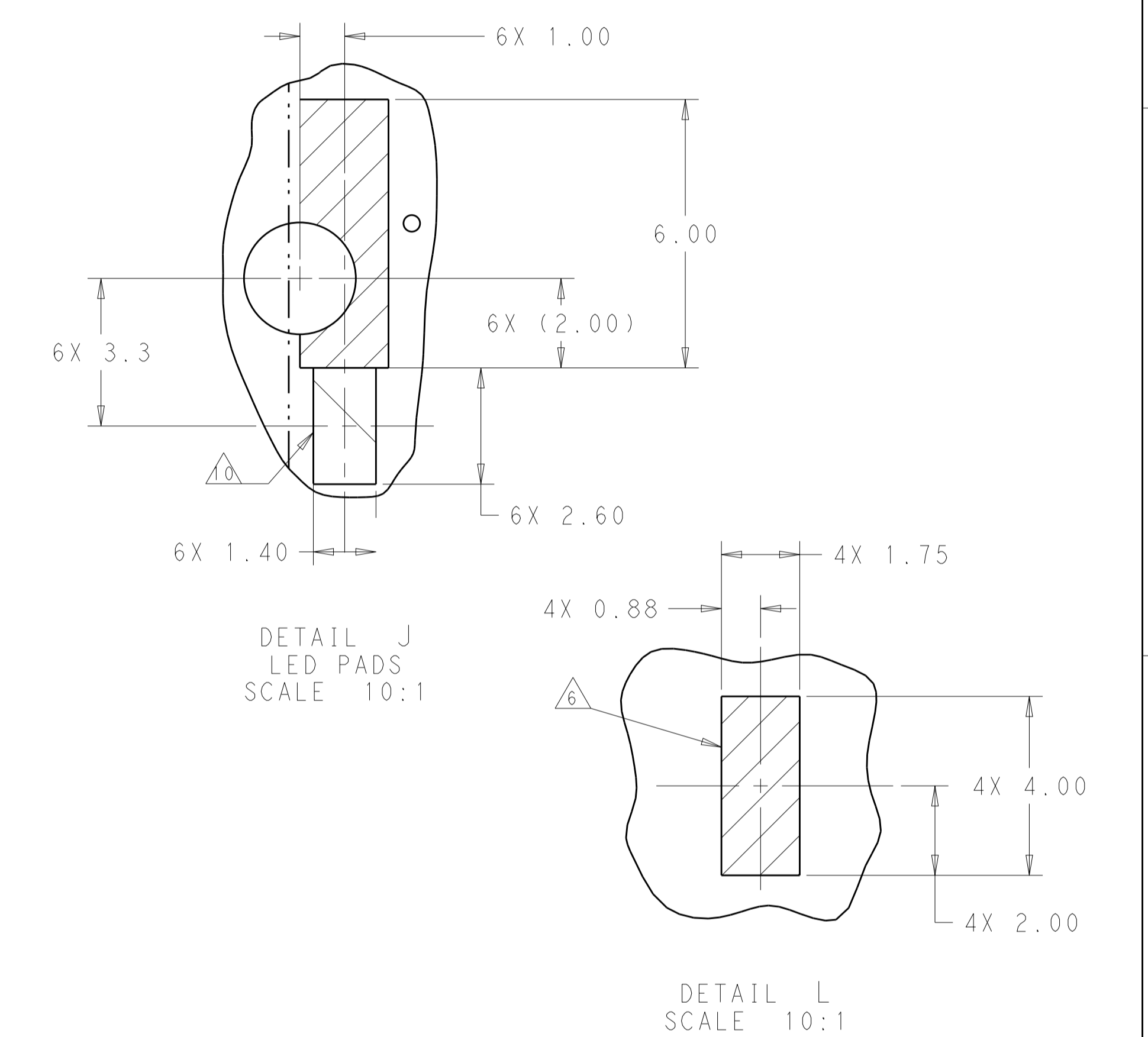
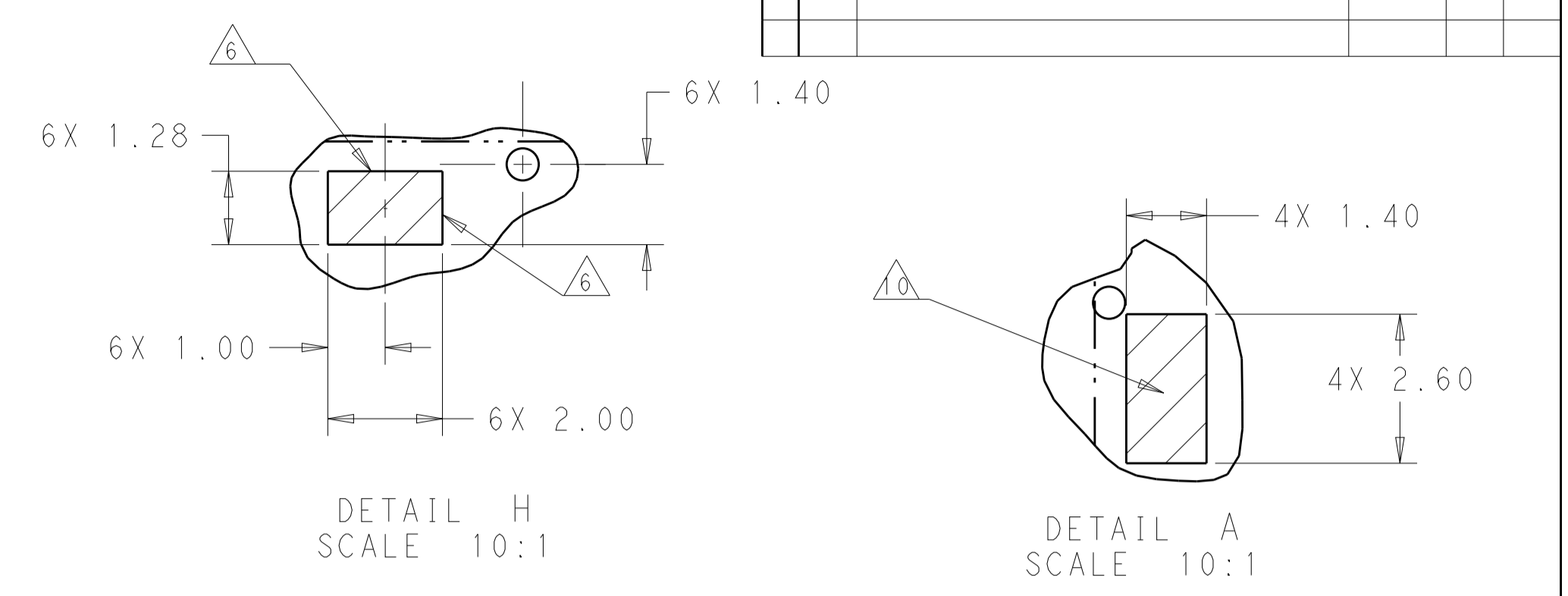
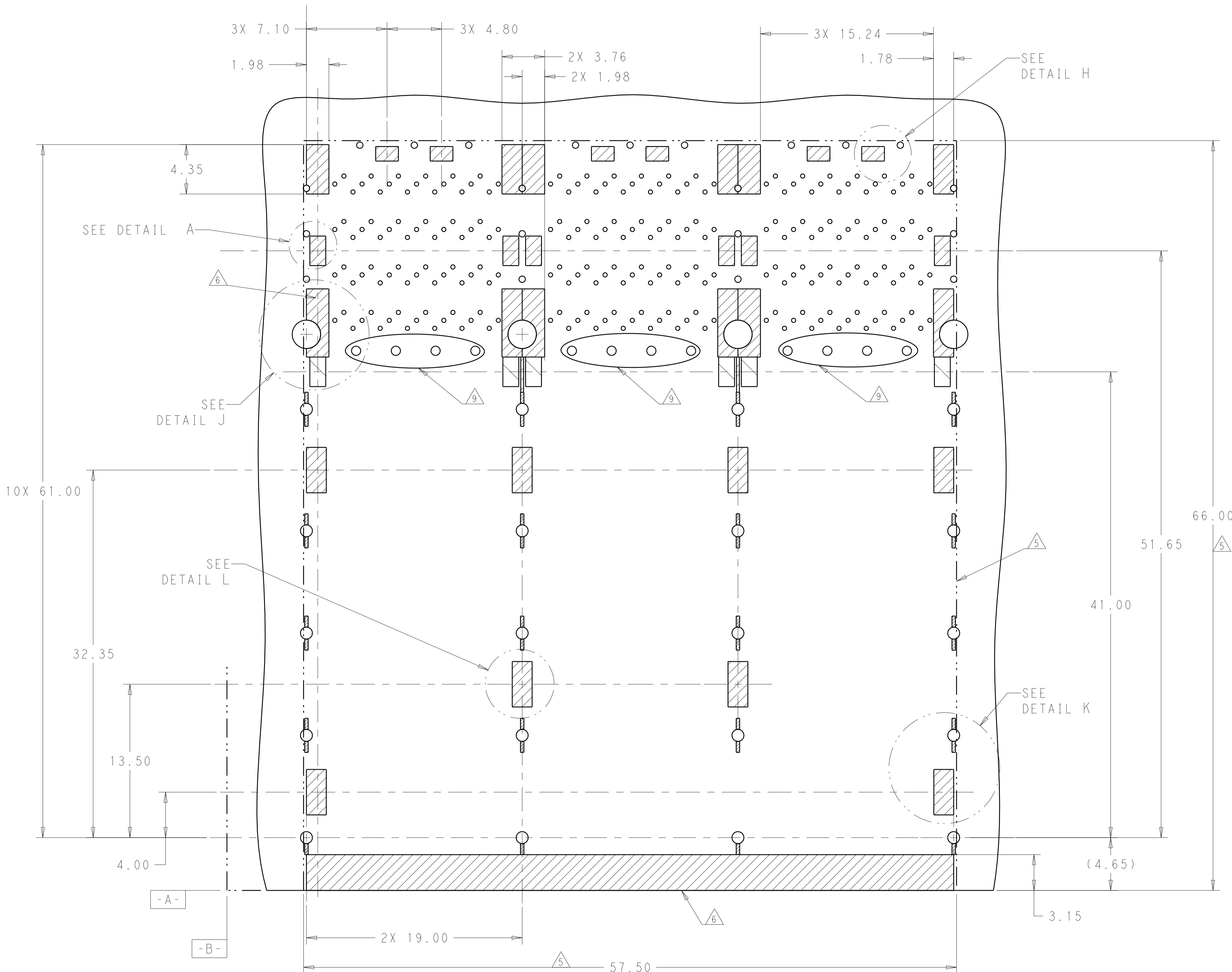
DETAIL L
 SCALE 10:1



DETAIL K
 SCALE 10:1

THIS DRAWING IS A CONTROLLED DOCUMENT.		DMN M. SHIRK 18JAN2013	NAME CAGE AND CONNECTOR ASSEMBLY, WITH EMI SPRING, THRU BEZEL, 2X3, ZQSPF+ STACKED
DIMENSIONS: mm		CHK D. SZCZESNY 18JAN2013	PRODUCT SPEC 108-60102
TOLERANCES UNLESS OTHERWISE SPECIFIED: 0 PLC ±0.25 1 PLC ±0.15 2 PLC ±0.15 3 PLC ±0.15 4 PLC ±0.15 ANGLES ±0.15		APVD	APPLICATION SPEC 114-60015
MATERIAL SEE NOTE 1	FINISH SEE NOTE 2	WEIGHT	RESTRICTED TO A100779C=2227671
CUSTOMER DRAWING		SCALE 4:1	SHEET 1 OF 6 REV A

LOC	DIST	REVISIONS			
P	LTN	DESCRIPTION	DATE	DMN	APVD
-	-	SEE SHEET 1	-	-	-



KEEPOUT AREAS COMPONENT
 SIDE OF BOARD FOR 4 LP
 SCALE 5:1

THIS DRAWING IS A CONTROLLED DOCUMENT.		DMN M. SHIRK 18JAN2013	TE Connectivity
DIMENSIONS: mm		CHK D. SZCZESNY 18JAN2013	
TOLERANCES UNLESS OTHERWISE SPECIFIED:		APVD	NAME
0 PLC ±	1 PLC ±0.25	PRODUCT SPEC	CAGE AND CONNECTOR ASSEMBLY,
2 PLC ±0.15	3 PLC ±	APPLICATION SPEC	WITH EMI SPRING, THRU BEZEL, 2X3,
4 PLC ±	ANGLES ±	114-60015	ZQSFP+ STACKED
MATERIAL	FINISH	WEIGHT	SIZE CAGE CODE DRAWING NO
SEE NOTE 1	SEE NOTE 2	CUSTOMER DRAWING	A100779C=2227671
		SCALE 4:1	RESTRICTED TO
		SHEET 1 OF 6	REV A

X-ON Electronics

Largest Supplier of Electrical and Electronic Components

Click to view similar products for [I/O Connectors](#) category:

Click to view products by [TE Connectivity](#) manufacturer:

Other Similar products are found below :

[571763P](#) [58098-0628](#) [72.250.1628.2](#) [72.250.2428.2](#) [74720-0505](#) [76.350.0729.0](#) [76871-1403](#) [FCN-244F080-G/1](#) [FCN-260A9920](#) [PCR-E36PM](#) [PCS-XE26MA+](#) [G38A71314B](#) [1571250010](#) [157-22500-3](#) [MS3471L14-19P L/C](#) [172501-4002](#) [172501-6002](#) [FCN-260C008-A/L0](#) [FCN-260C024-AL0](#) [FCN-261Z008](#) [2000314-1](#) [200331-1](#) [PCR-E36FC+](#) [PCS-E28FS+](#) [PCS-XE26SLFD+](#) [PCS-XE26SLFDT+](#) [G730VID08BDC24](#) [U90B2054081210](#) [38113800006](#) [DP3AR020WQ1R200](#) [Z4.102.0680.0](#) [500-1040](#) [500-1052](#) [500-1054](#) [ZP-4008-66L](#) [0709821002](#) [DX40-20P\(55\)](#) [5554841-1](#) [MS3474W18-8P-LC*](#) [U90B3054061110](#) [U65-E04-4020](#) [ZPF000000000097891](#) [747360449](#) [10099439-003C-TRLF](#) [10137239-0021LF](#) [E9320-001-01](#) [10137239-0011LF](#) [70289-001LF](#) [70.060.1028.0](#) [109029-ZZ](#)