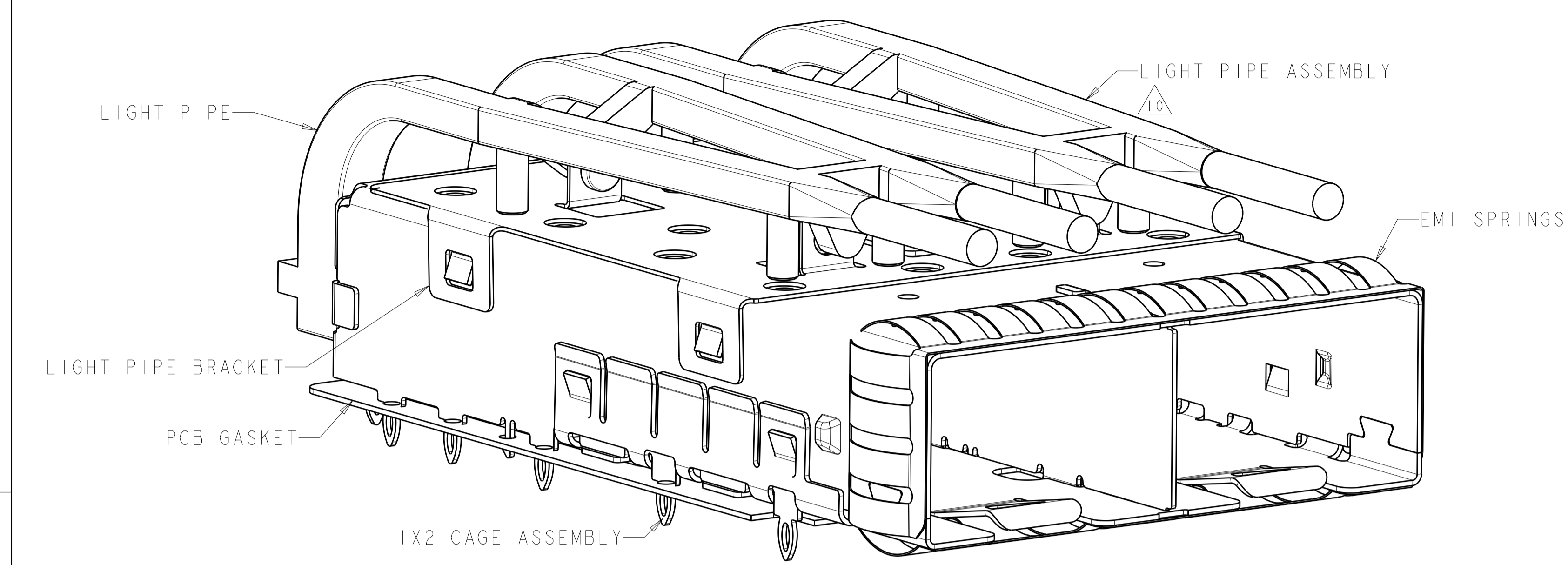
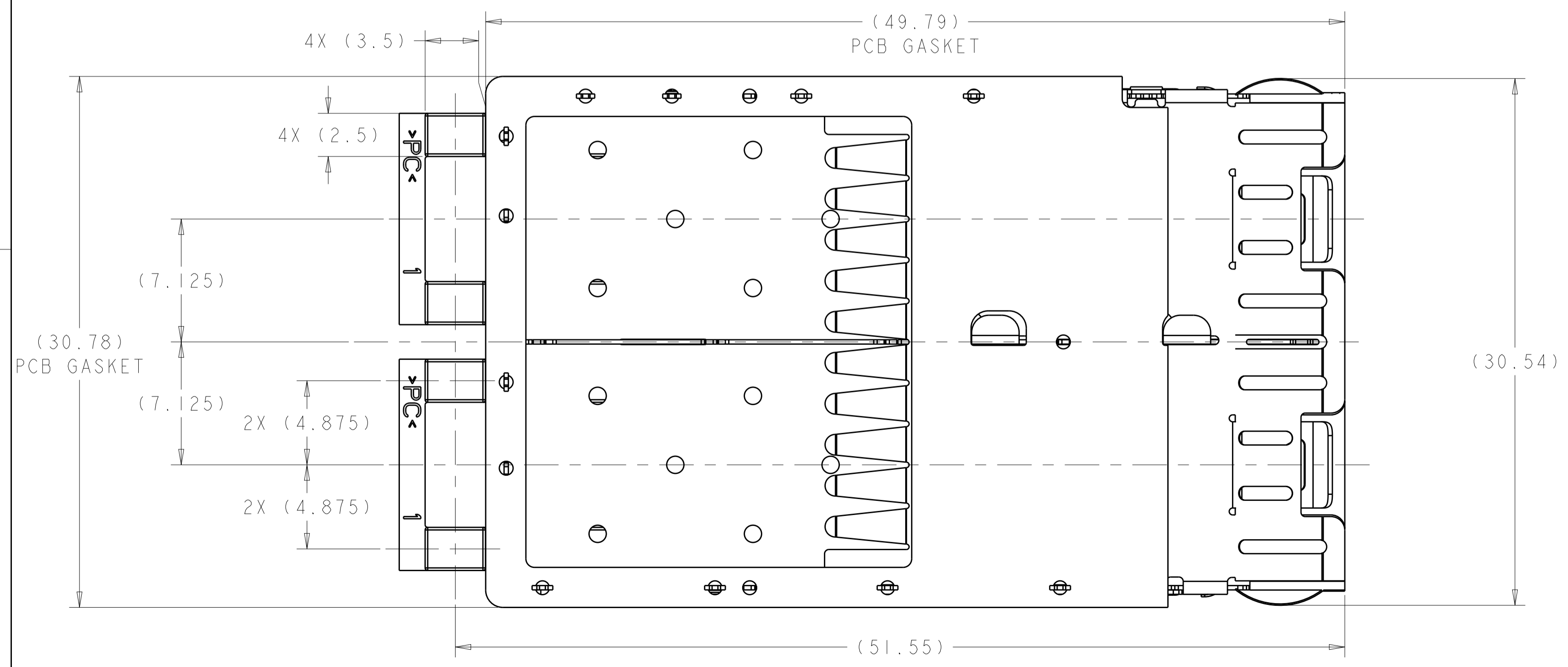
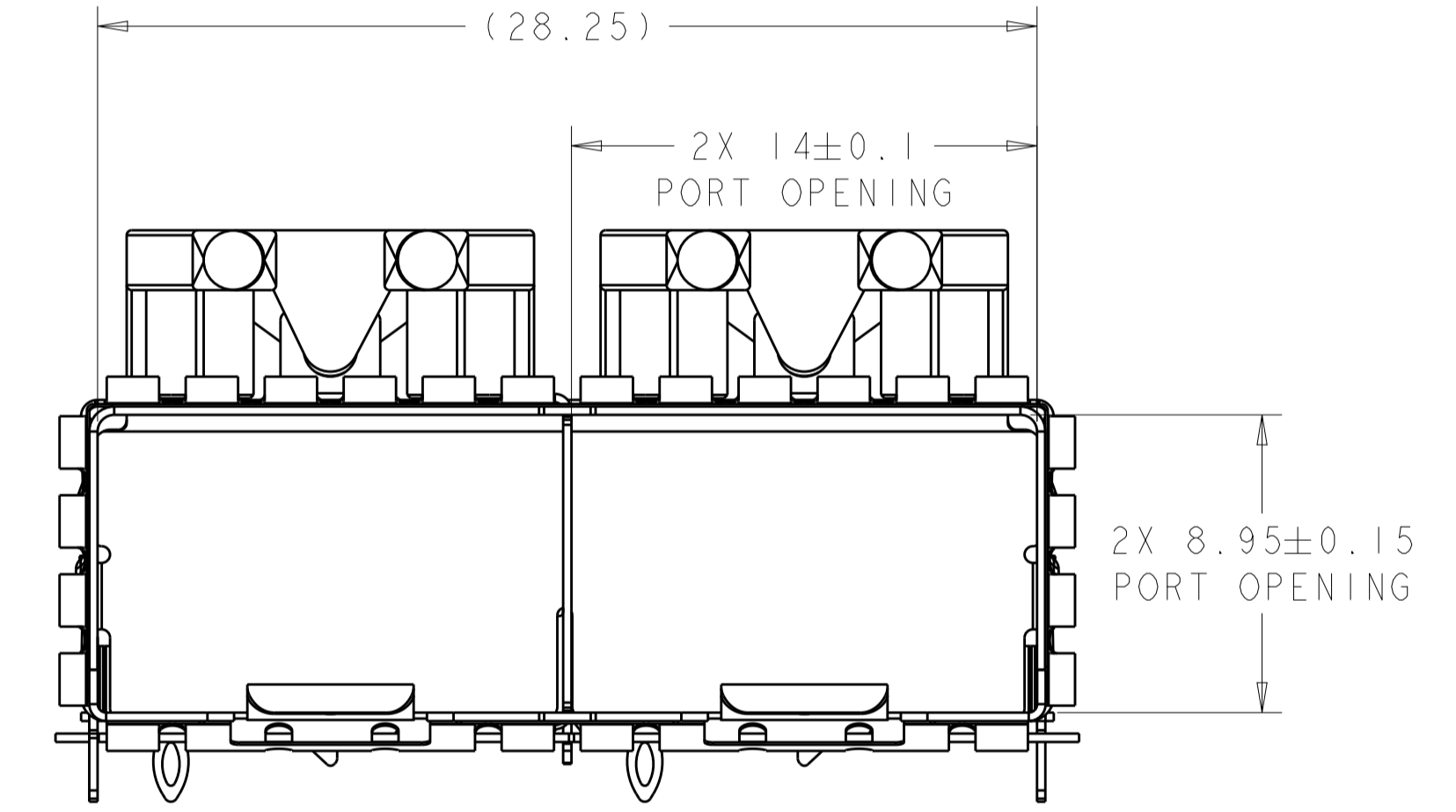
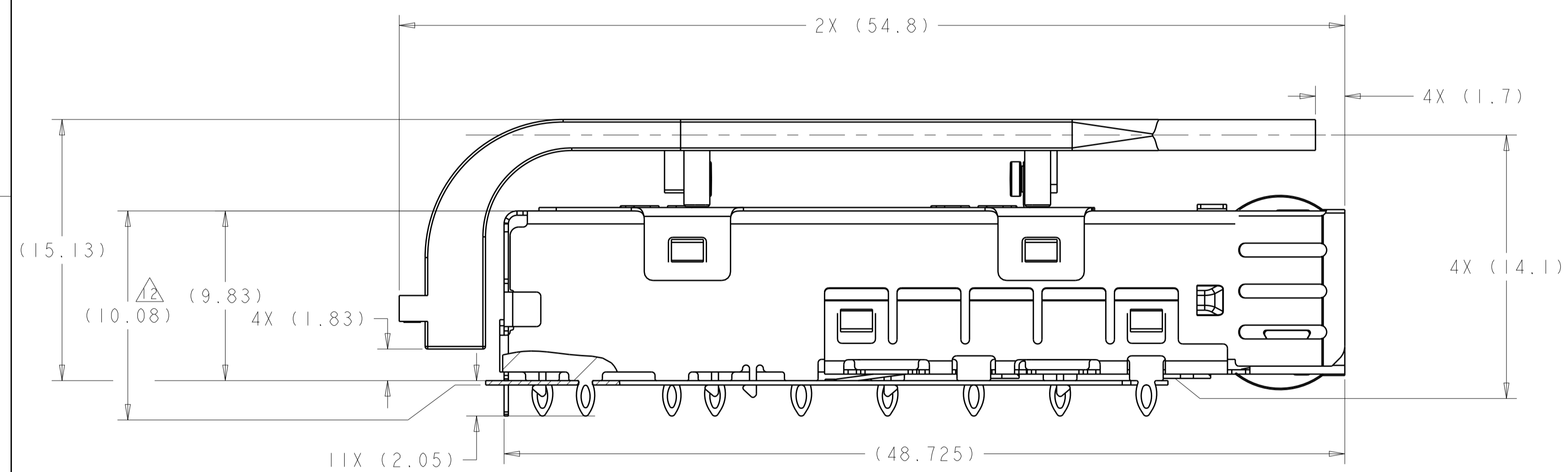


| LOC | DIST | REVISIONS | | | | | |
|-----|------|-----------|-----|---------------------------|-----------|-----|------|
| GP | 00 | P | LTN | DESCRIPTION | DATE | DWN | APVD |
| | | A | | REVISED PER ECO-15-002647 | 05MAR2015 | AP | MS |
| | | B | | REVISED PER ECO-16-014593 | 13FEB2017 | JW | SH |



2227727-1
SCALE 6:1

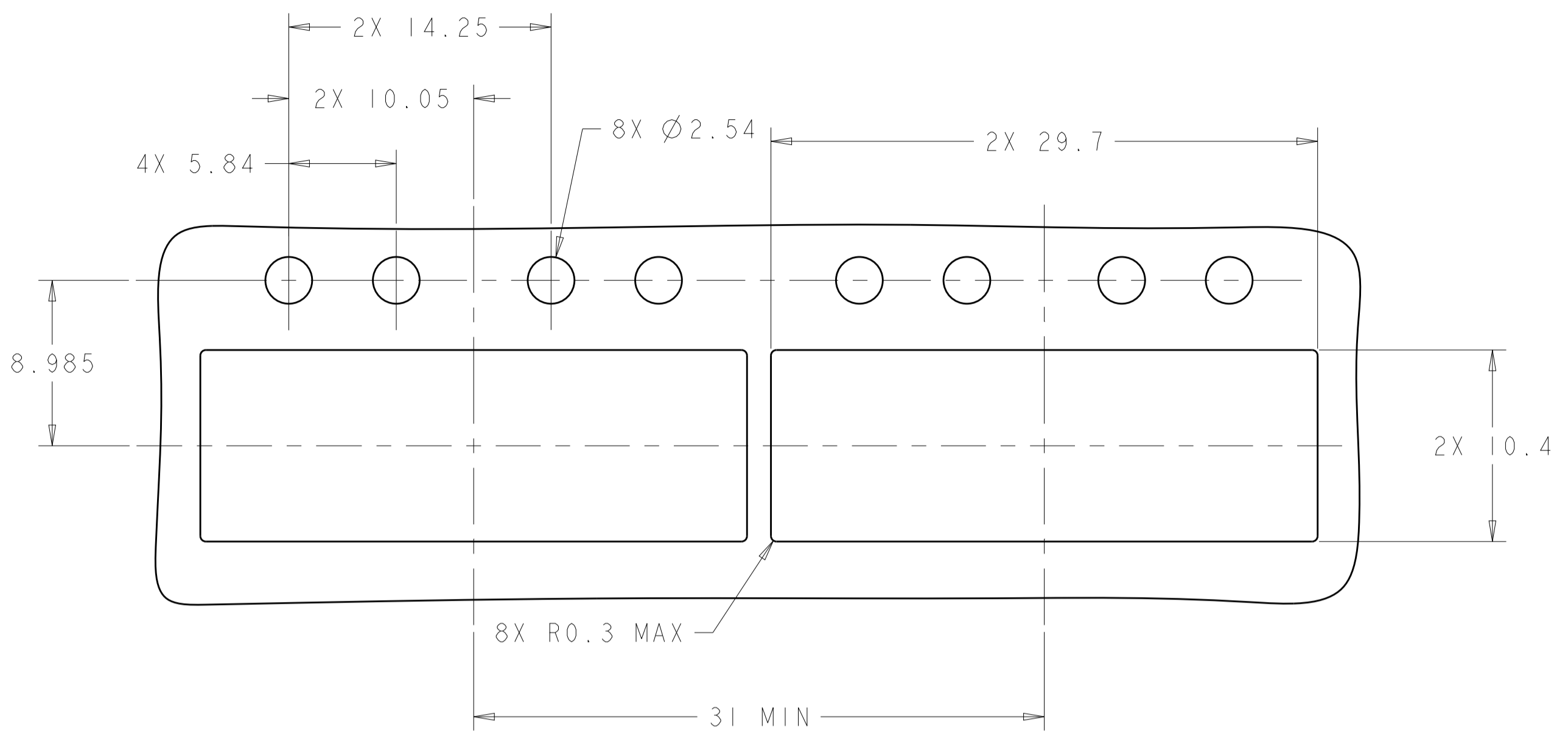
- 1 MATERIAL:
 CAGE ASSEMBLY: NICKEL SILVER ALLOY, (0.25mm)
 PCB GASKET: RF ABSORBER
 EMI SPRINGS: PHOSPHOR BRONZE
 LIGHT PIPE BRACKET: STAINLESS STEEL
 LIGHT PIPE: POLYCARBONATE, CLEAR
- 2 MINIMUM PC BOARD THICKNESS:
 SINGLE SIDE = 1.45mm
 BELLY TO BELLY = 2.25mm
- 3 PADS AND VIAS CHASSIS GROUND
- 4 DATUM AND BASIC DIMENSION ESTABLISHED BY CUSTOMER
- 5. MATES WITH SFP MSA COMPLIANT TRANSCEIVERS
- 6. INTERPRETATION OF DATUM REFERENCE FRAME IN ACCORDANCE WITH SECT 4.4.1.1 OF ASME Y14.5M-1994
- 7 REFERENCE APPLICATION SPEC. 114-13120, HOLE A, FOR RECOMMENDED DRILL HOLE DIAMETER AND PLATING THICKNESS
- 8 REFERENCE APPLICATION SPEC. 114-13120, HOLE B, FOR RECOMMENDED DRILL HOLE DIAMETER AND PLATING THICKNESS
- 9 HOLE PATTERN REPEATS FOR EACH PORT, SPACING BETWEEN PORTS IS 14.25mm
- 10 LIGHT PIPE ASSEMBLY SHIPPED UNASSEMBLED TO CAGE ASSEMBLY, CAGE ASSEMBLY TO BE PRESSED INTO THE PCB PRIOR TO ATTACHING LIGHT PIPE ASSEMBLY TO CAGE
- 11. PRODUCT COMPLIES WITH SPECIFICATION SFF-8433, IMPROVED PLUGGABLE FORM FACTOR FOR SFP+ GANGED CAGES
- 12 CONTACT STANDOFF WILL PIERCE GASKET WHEN PROPERLY PRESSED INTO PCB.



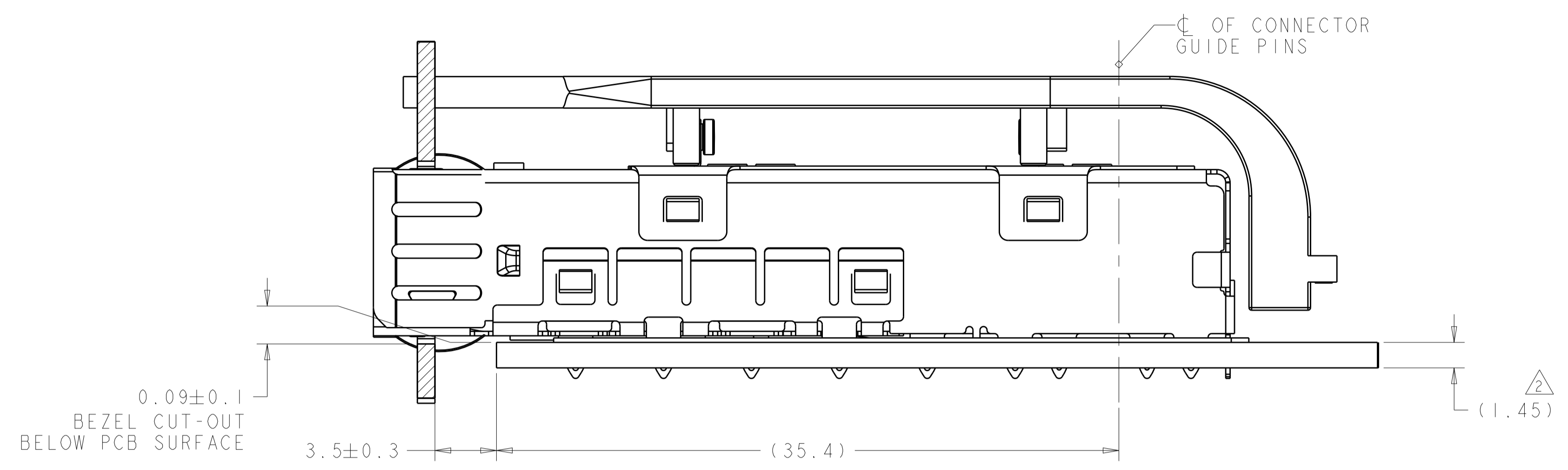
2227727-1
PART NUMBER

| | | | |
|---|--|-------------------------------|--|
| THIS DRAWING IS A CONTROLLED DOCUMENT. | | OWN: M.E. CONNER 14FEB2013 | TE Connectivity |
| DIMENSIONS: mm | | CHK: M.D. MORRISON 14FEB2013 | |
| TOLERANCES UNLESS OTHERWISE SPECIFIED: | | APVD: M.J. PHILLIPS 14FEB2013 | NAME: CAGE ASSEMBLY WITH LIGHT PIPES, PRESS-FIT, EMI SPRINGS, 1X2, zSFP+ |
| 0 PLC ±0.1 1 PLC ±0.1 2 PLC ±0.08 3 PLC ±0.05 4 PLC ±0.05 ANGLES ±0.05 | | PRODUCT SPEC: 108-2364 | SIZE: A1 |
| MATERIAL: SEE NOTES | | APPLICATION SPEC: 114-13120 | RESTRICTED TO: - |
| | | WEIGHT: - | Customer Drawing |
| | | SCALE: 5:1 | SHEET 1 OF 4 REV B |

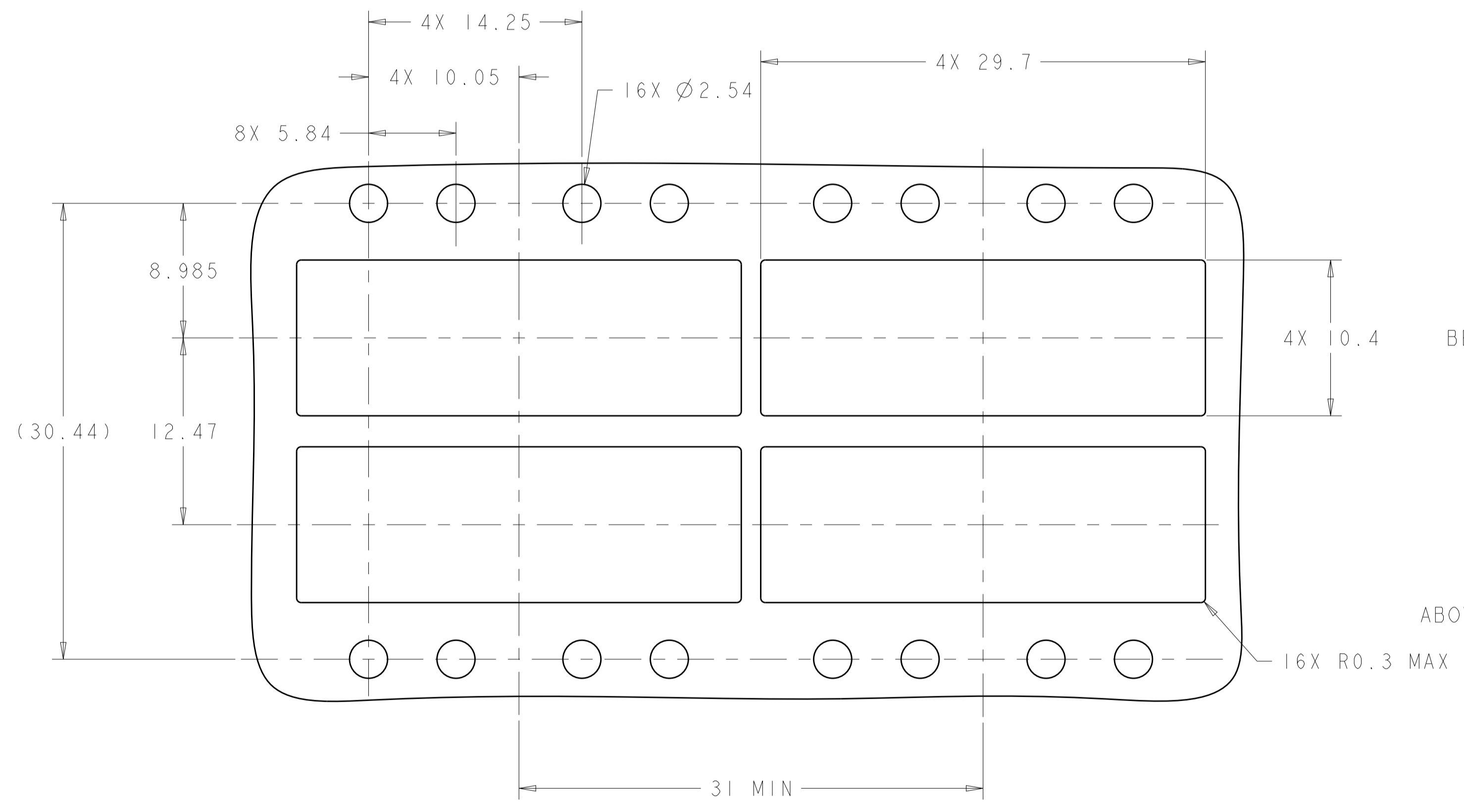
| LOC | DIST | REVISIONS | | | | | |
|-----|------|-----------|-----|-------------|------|-----|------|
| GP | 00 | P. | LTN | DESCRIPTION | DATE | DWN | APVD |
| - | - | - | - | SEE SHEET 1 | - | - | - |



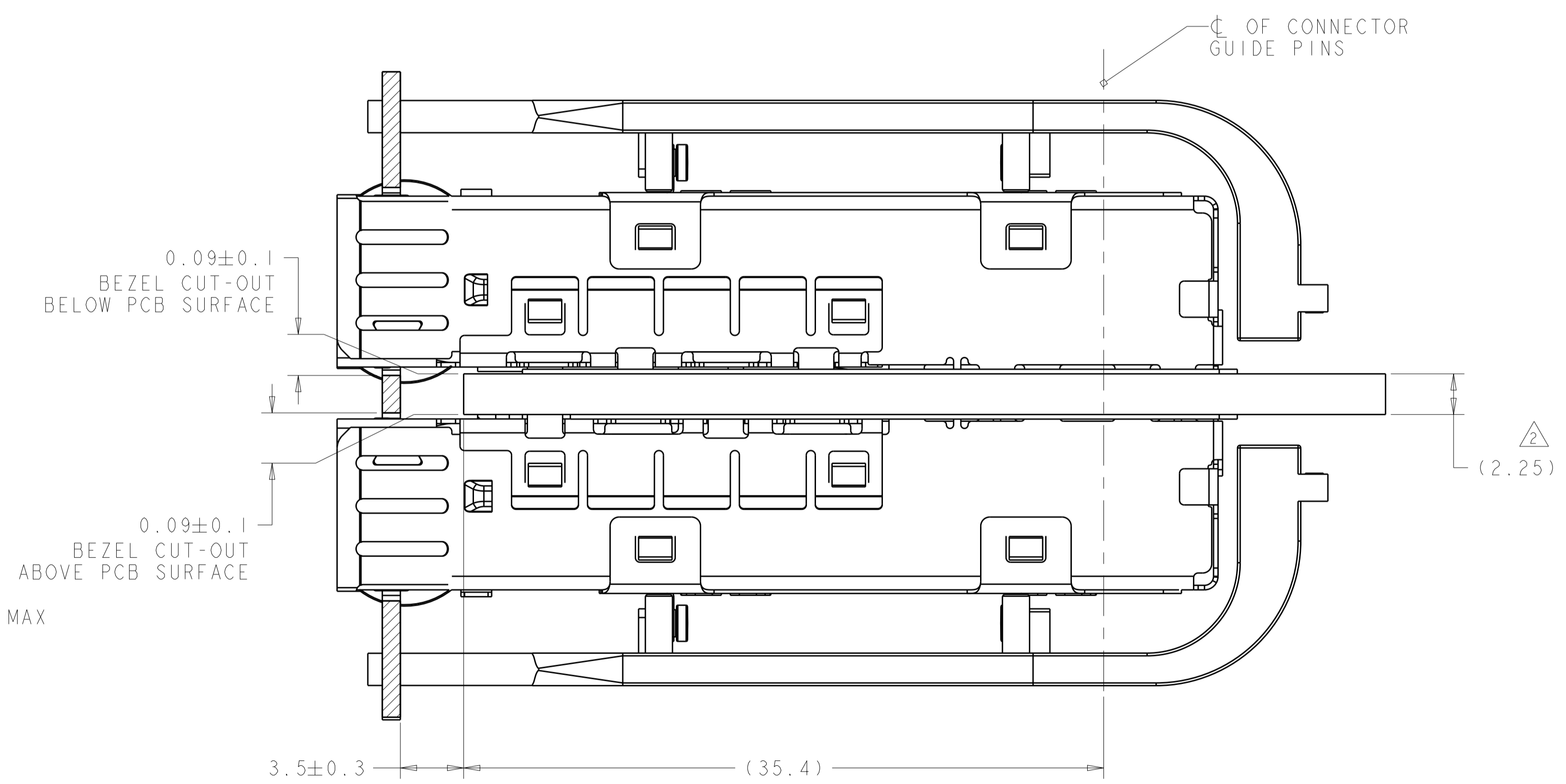
RECOMMENDED BEZEL OPENING
 SINGLE SIDED APPLICATIONS
 SCALE 4:1



MOUNTED ON PC BOARD
 SHOWN THRU RECOMMENDED BEZEL
 SCALE 5:1



RECOMMENDED BEZEL OPENING
 BELLY TO BELLY APPLICATIONS
 SCALE 4:1

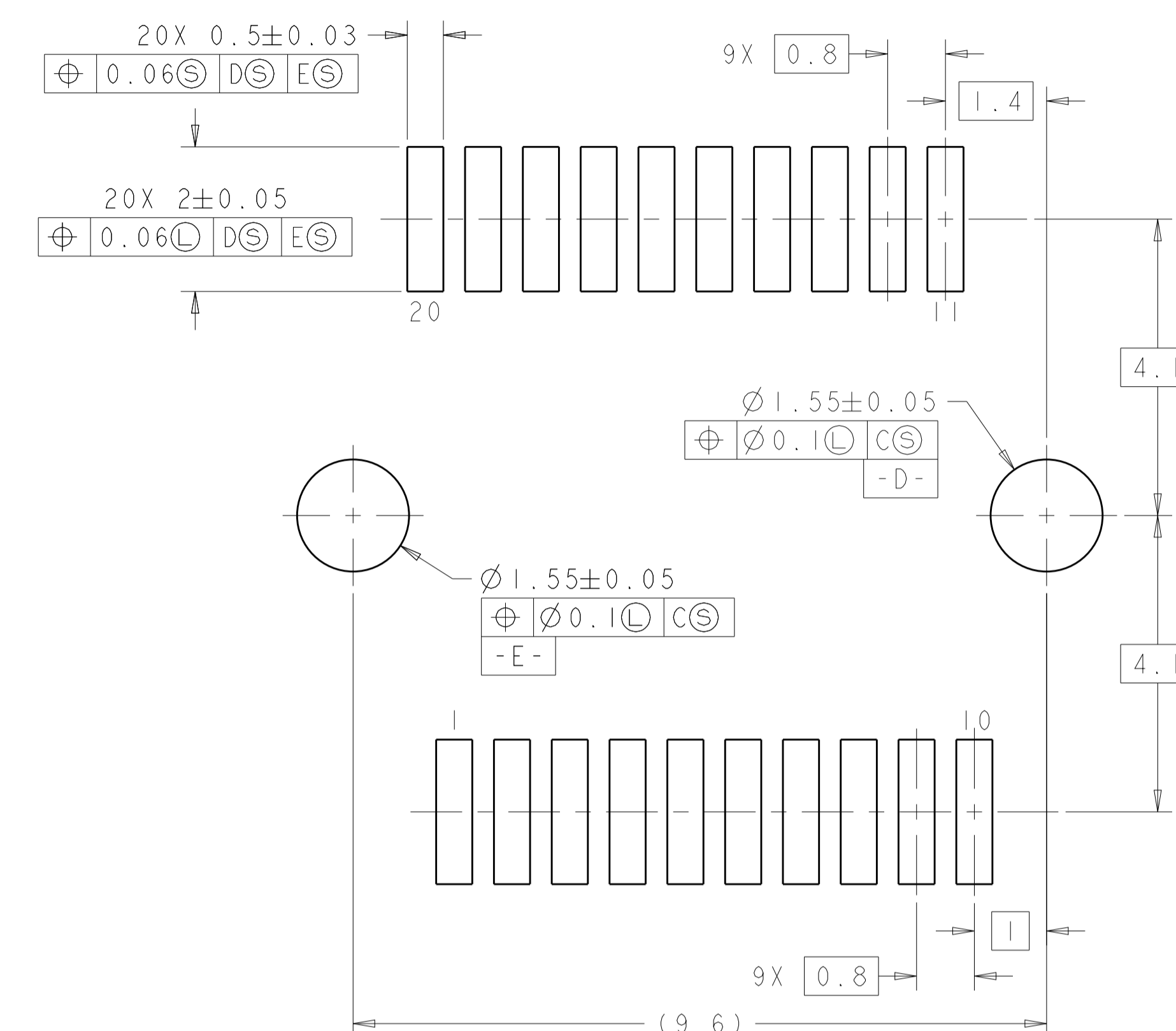
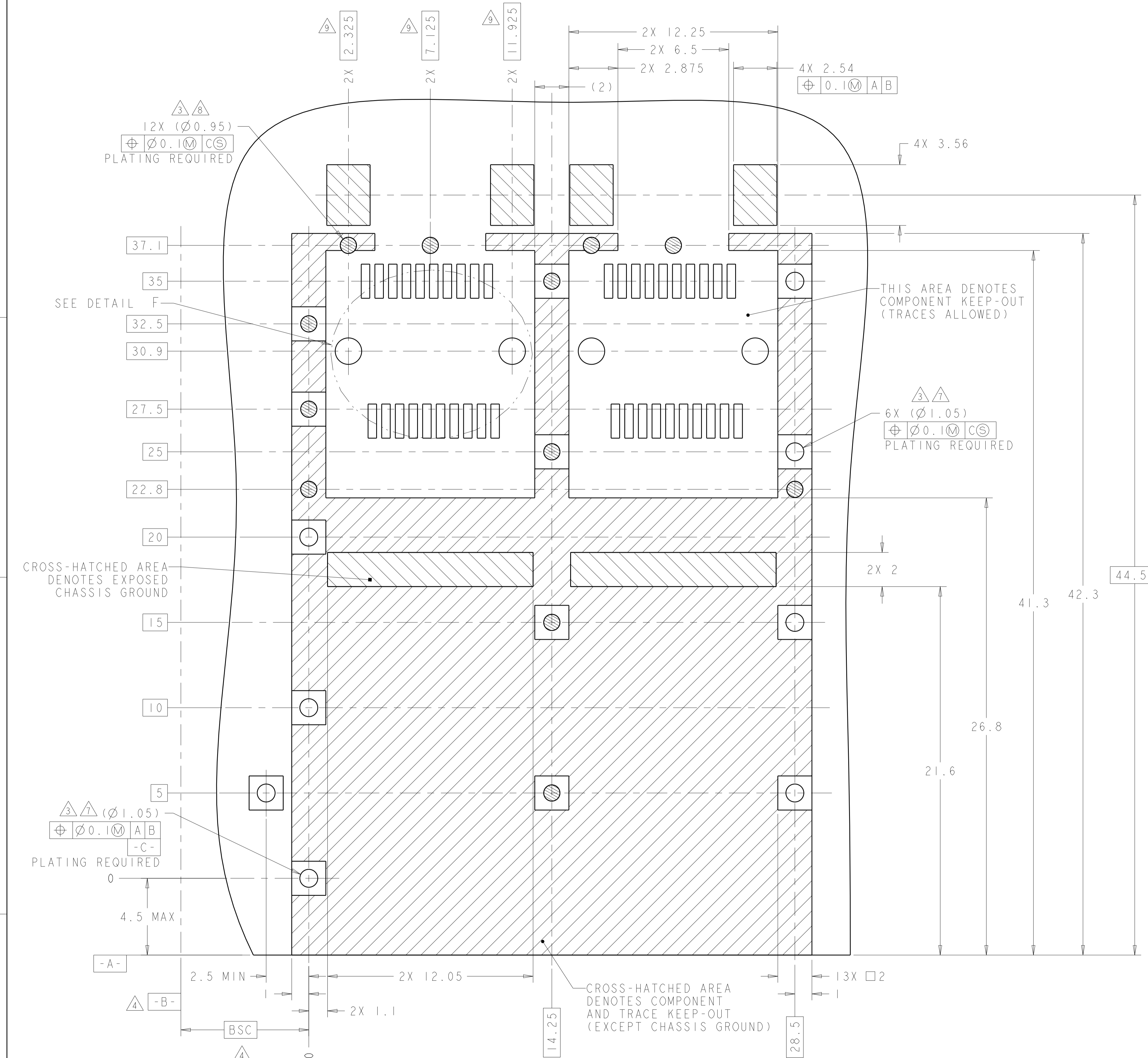


MOUNTED BELLY TO BELLY ON PC BOARD
 SHOWN THRU RECOMMENDED BEZEL
 SCALE 5:1

| | | | |
|---|--|-------------------------------------|--|
| THIS DRAWING IS A CONTROLLED DOCUMENT. | | DWN M. E. CONNER 14FEB2013 | TE Connectivity |
| DIMENSIONS: mm | | CHK M. D. MORRISON 14FEB2013 | |
| TOLERANCES UNLESS OTHERWISE SPECIFIED: 0 PLC ±0.1 1 PLC ±0.1 2 PLC ±0.08 3 PLC ±0.05 4 PLC ±0.05 ANGLES ±0.05 FINISH #1* | | APVD M. J. PHILLIPS 14FEB2013 | NAME CAGE ASSEMBLY WITH LIGHT PIPES, PRESS-FIT, EMI SPRINGS, 1X2, zSFP+ |
| MATERIAL SEE NOTES | | PRODUCT SPEC 108-2364 | SIZE A1 |
| | | APPLICATION SPEC 114-13120 | CAGE CODE DRAWING NO C=2227727 |
| | | WEIGHT | RESTRICTED TO |
| | | Customer Drawing | SCALE 5:1 SHEET 2 OF 4 REV B |

| LOC | DIST | REV | DATE | APPV |
|-----|------|-----|------|------|
| GP | 00 | | | |

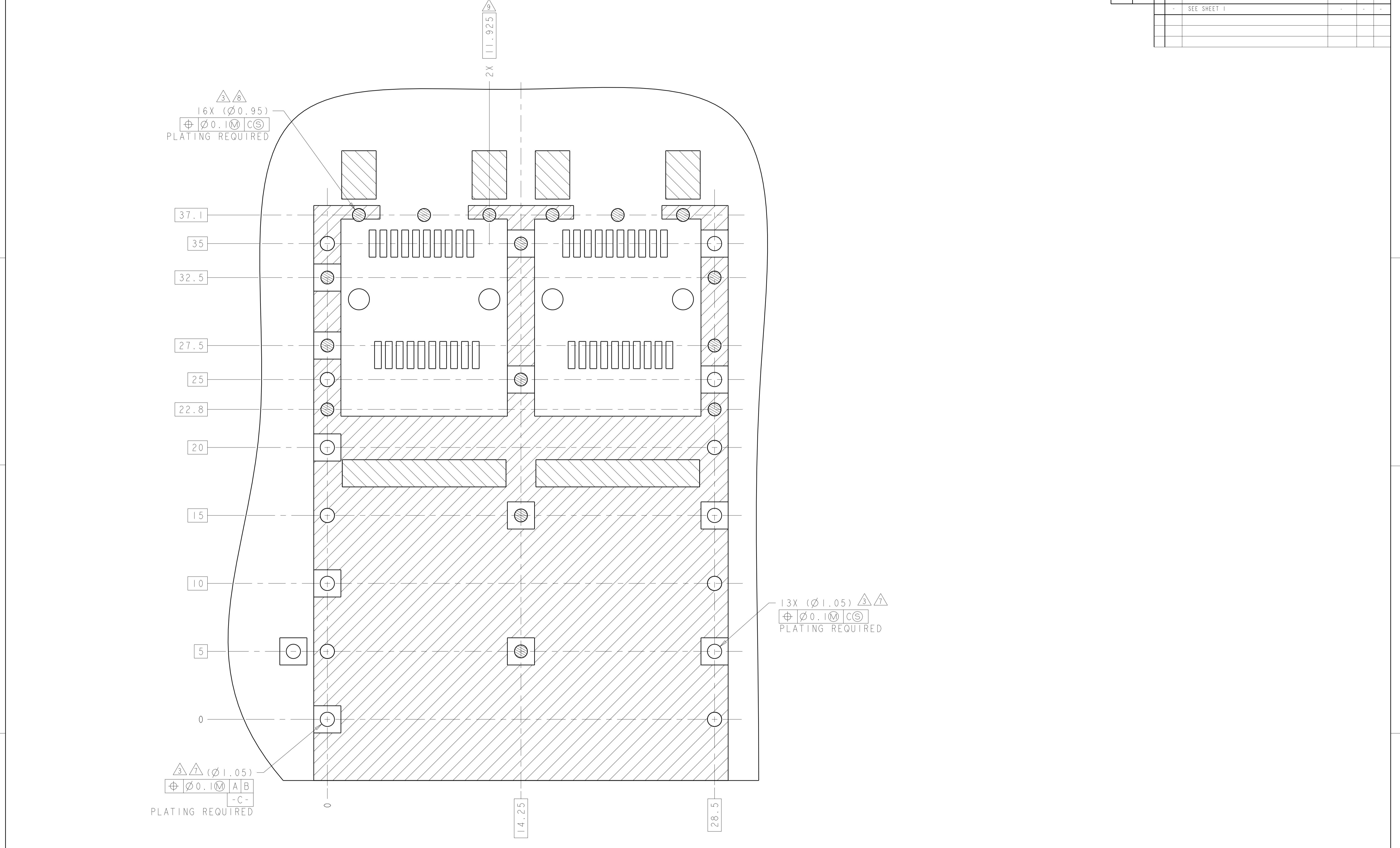
| REVISIONS | | | | |
|-----------|------|------|-------------|----|
| REV | DATE | APPV | DESCRIPTION | BY |
| - | - | - | SEE SHEET 1 | - |



RECOMMENDED PCB CONFIGURATION
 WITH KEEP-OUT AREAS FOR SINGLE SIDE APPLICATION
 SCALE 8:1

| | | | |
|---|--|-------------------------------|--|
| THIS DRAWING IS A CONTROLLED DOCUMENT. | | OWN: M.E. CONNER 14FEB2013 | TE Connectivity |
| DIMENSIONS: mm | | CHK: M.D. MORRISON 14FEB2013 | |
| TOLERANCES UNLESS OTHERWISE SPECIFIED: | | APVD: M.J. PHILLIPS 14FEB2013 | NAME: CAGE ASSEMBLY WITH LIGHT PIPES, PRESS-FIT, EMI SPRINGS, 1X2, zSFP+ |
| 0 PLC ±0.1 1 PLC ±0.1 2 PLC ±0.08 3 PLC ±0.05 4 PLC ±0.05 ANGLES ±0.05 | | PRODUCT SPEC: 108-2364 | |
| MATERIAL: SEE NOTES | | APPLICATION SPEC: 114-13120 | RESTRICTED TO: - |
| | | WEIGHT: - | SCALE: 5:1 |
| | | Customer Drawing | SHEET 3 OF 4 |
| | | | REV B |

| LOC | DIST | REVISIONS | | | |
|-----|------|-------------|------|-----|------|
| P | LTN | DESCRIPTION | DATE | DWN | APVD |
| - | - | SEE SHEET 1 | - | - | - |
| | | | | | |
| | | | | | |



RECOMMENDED PCB CONFIGURATION
 WITH KEEP-OUT AREAS FOR BELLY TO BELLY APPLICATION
 SAME AS SINGLE SIDE APPLICATION, EXCEPT AS SHOWN
 SCALE 8:1

| | | | |
|---|--|-------------------------------|--|
| THIS DRAWING IS A CONTROLLED DOCUMENT. | | DWN: M.E. CONNER 14FEB2013 | TE Connectivity |
| DIMENSIONS: mm | | CHK: M.D. MORRISON 14FEB2013 | |
| TOLERANCES UNLESS OTHERWISE SPECIFIED: 0 PLC ±0.1 1 PLC ±0.1 2 PLC ±0.08 3 PLC ±0.05 4 PLC ±0.05 ANGLES ±1° FINISH - | | APVD: M.J. PHILLIPS 14FEB2013 | NAME: CAGE ASSEMBLY WITH LIGHT PIPES, PRESS-FIT, EMI SPRINGS, 1X2, zSFP+ |
| MATERIAL: SEE NOTES | | PRODUCT SPEC: 108-2364 | SIZE: A100779 |
| | | APPLICATION SPEC: 114-13120 | DRAWING NO: C=2227727 |
| | | WEIGHT: - | RESTRICTED TO: - |
| | | Customer Drawing | SCALE: 5:1 SHEET 4 OF 4 REV B |

X-ON Electronics

Largest Supplier of Electrical and Electronic Components

Click to view similar products for [I/O Connectors](#) category:

Click to view products by [TE Connectivity](#) manufacturer:

Other Similar products are found below :

[571763P](#) [58098-0628](#) [72.250.1628.2](#) [72.250.2428.2](#) [74720-0505](#) [76.350.0729.0](#) [76871-1403](#) [FCN-244F080-G/1](#) [FCN-260A9920](#) [PCR-E36PM](#) [PCS-XE26MA+](#) [G38A71314B](#) [1571250010](#) [157-22500-3](#) [MS3471L14-19P L/C](#) [172501-4002](#) [172501-6002](#) [FCN-260C008-A/L0](#) [FCN-260C024-AL0](#) [FCN-261Z008](#) [2000314-1](#) [200331-1](#) [PCR-E36FC+](#) [PCS-E28FS+](#) [PCS-XE26SLFD+](#) [PCS-XE26SLFDT+](#) [G730VID08BDC24](#) [U90B2054081210](#) [38113800006](#) [DP3AR020WQ1R200](#) [Z4.102.0680.0](#) [500-1040](#) [500-1052](#) [500-1054](#) [ZP-4008-66L](#) [0709821002](#) [DX40-20P\(55\)](#) [5554841-1](#) [MS3474W18-8P-LC*](#) [U90B3054061110](#) [U65-E04-4020](#) [ZPF000000000097891](#) [747360449](#) [10099439-003C-TRLF](#) [10137239-0021LF](#) [E9320-001-01](#) [10137239-0011LF](#) [70289-001LF](#) [70.060.1028.0](#) [109029-ZZ](#)